



US00D985867S

(12) **United States Design Patent**  
**Sun et al.**

(10) **Patent No.:** **US D985,867 S**  
(45) **Date of Patent:** **\*\* May 9, 2023**

- (54) **ROBOTIC VACUUM CLEANER**
- (71) Applicant: **Beijing Roborock Technology Co., Ltd., Beijing (CN)**
- (72) Inventors: **Dayong Sun, Beijing (CN); Guang Yu, Beijing (CN)**
- (73) Assignee: **Beijing Roborock Technology Co., Ltd., Beijing (CN)**
- (\*\*) Term: **15 Years**
- (21) Appl. No.: **35/513,198**
- (22) Filed: **Aug. 24, 2021**
- (80) **Hague Agreement Data**  
Int. Filing Date: **Aug. 24, 2021**  
Int. Reg. No.: **DM/216744**  
Int. Reg. Date: **Aug. 24, 2021**  
Int. Reg. Pub. Date: **Oct. 22, 2021**

D869,109 S \* 12/2019 Yu ..... D32/21  
 10,725,477 B2 \* 7/2020 Nan ..... G05D 1/0238  
 D901,110 S \* 11/2020 Li ..... A47L 9/009  
 D32/21  
 D917,117 S \* 4/2021 Cao ..... D32/21  
 D919,211 S \* 5/2021 Chang ..... D32/21  
 D919,910 S \* 5/2021 Li ..... D32/21  
 D921,308 S \* 6/2021 Cao ..... D32/21  
 D921,309 S \* 6/2021 Liu ..... D32/21

(Continued)

**FOREIGN PATENT DOCUMENTS**

CN 304926998 \* 12/2018  
 CN 305211139 \* 6/2019

(Continued)

**OTHER PUBLICATIONS**

Roborock S7 review—Ultra efficient two-in-one cleaning (on-line), reviewed Mar. 24, 2021. Retrieved from Internet Aug. 25, 2022, URL: <https://www.zdnet.com/product/roborock-s7-robot-vacuum/> (3 pages) (Year: 2021).\*

(Continued)

*Primary Examiner* — Kimberly Barnes  
 (74) *Attorney, Agent, or Firm* — Morgan, Lewis & Bockius LLP

- (30) **Foreign Application Priority Data**  
Mar. 5, 2021 (CN) ..... 202130120499.0
- (51) **LOC (14) Cl.** ..... **15-05**
- (52) **U.S. Cl.**  
USPC ..... **D32/21**
- (58) **Field of Classification Search**  
USPC ..... D32/15–24, 31–34  
CPC ..... A47L 9/2868; A47L 9/00; A47L 11/20;  
A47L 11/30; A47L 11/40; A47L 9/009;  
A47L 9/2805; A47L 9/22; A47L 11/4061  
See application file for complete search history.

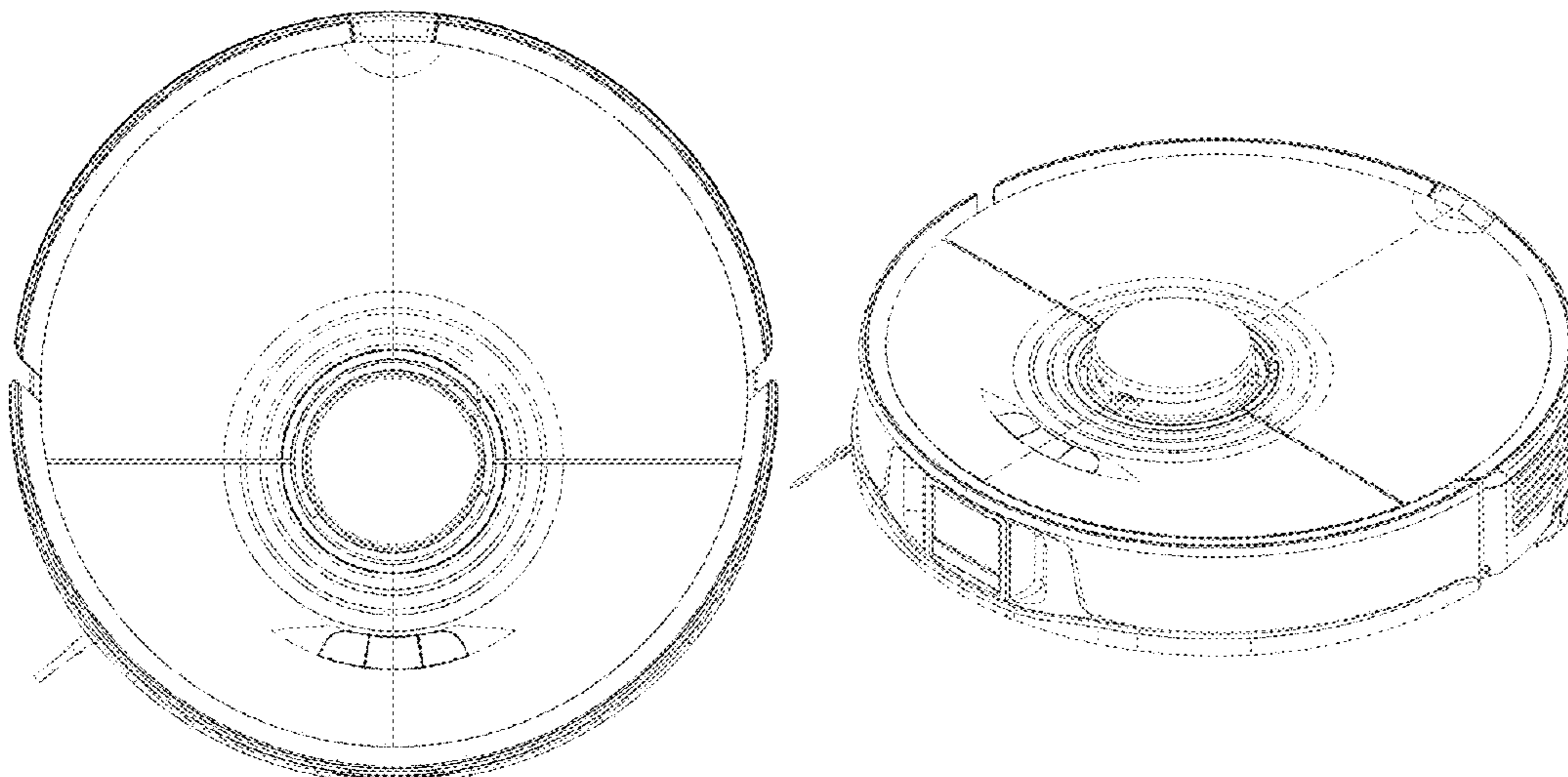
- (57) **CLAIM**  
The ornamental design for a robotic vacuum cleaner, as shown and described.

- (56) **References Cited**  
U.S. PATENT DOCUMENTS  
D840,617 S \* 2/2019 Dou ..... D32/21  
10,394,248 B2 \* 8/2019 Cao ..... A47L 9/2805  
D867,701 S \* 11/2019 Mi ..... D32/31

**DESCRIPTION**

- 1. Robotic vacuum cleaner
- 1.1 : Front
- 1.2 : Back
- 1.3 : Left
- 1.4 : Right
- 1.5 : Top
- 1.6 : Bottom
- 1.7 : Perspective

**1 Claim, 7 Drawing Sheets**



(56)

References Cited

U.S. PATENT DOCUMENTS

D922,011	S	*	6/2021	Ren	.....	D32/21
D927,108	S	*	8/2021	Choi	.....	D32/21
D929,690	S	*	8/2021	Cheng	.....	A47L 9/009 D15/199
D935,712	S	*	11/2021	Wang	.....	D32/21
D938,116	S	*	12/2021	Yu	.....	D32/21
D940,771	S	*	1/2022	Xie	.....	A47L 9/009 D15/199
D965,932	S	*	10/2022	Li	.....	D32/21
2020/0288934	A1	*	9/2020	Li	.....	A47L 11/4083
2022/0095870	A1	*	3/2022	Zheng	.....	A47L 11/4011
2022/0202268	A1	*	6/2022	Wang	.....	A47L 11/4083

FOREIGN PATENT DOCUMENTS

CN	305402615	S	10/2019
CN	305716261	S	4/2020

CN	305781572	S	5/2020
CN	305921299	S	7/2020
CN	305997239	S	8/2020
CN	305997262	S	8/2020
CN	306155886	S	11/2020
JP	D1668715	*	9/2020
JP	D1668715	S	9/2020
JP	1716322	S	5/2022
JP	1720939	S	7/2022
TW	219026-0001	*	9/2021
WO	WO-D219178-001	*	2/2022
WO	WO-D219531-001	*	3/2022

OTHER PUBLICATIONS

Office Action dated Feb. 17, 2023, issued in corresponding Japanese Patent Application No. 2021-502093.

\* cited by examiner

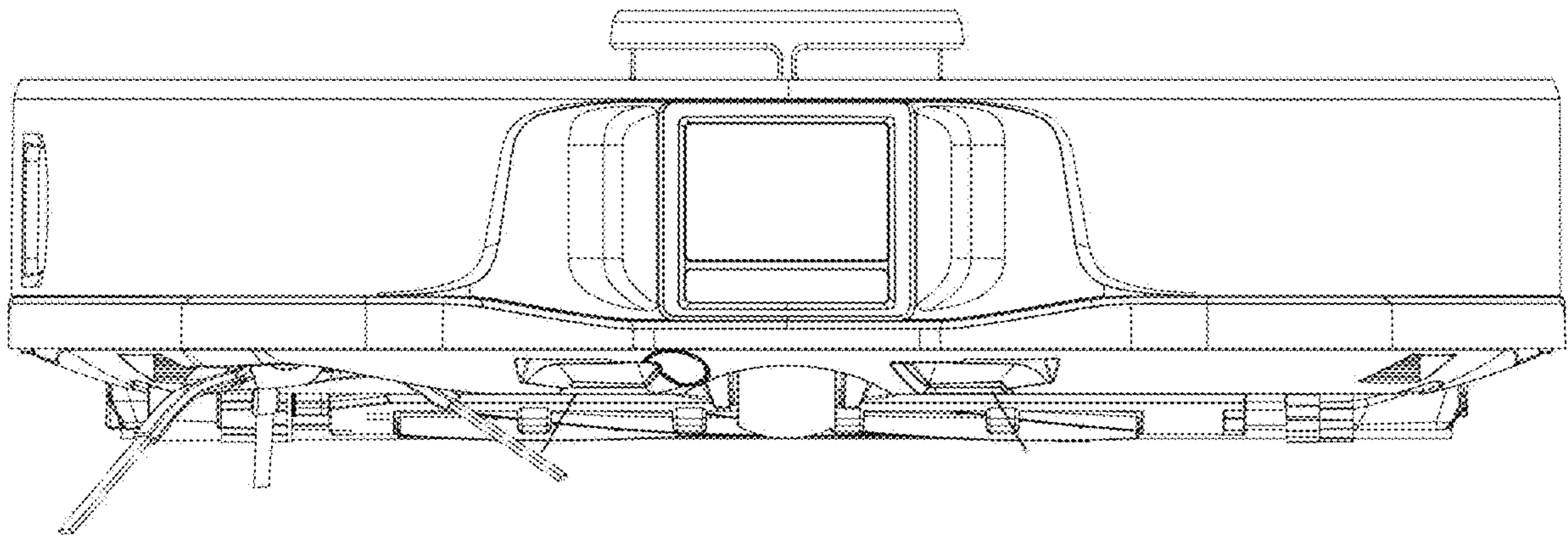


FIG. 1.1

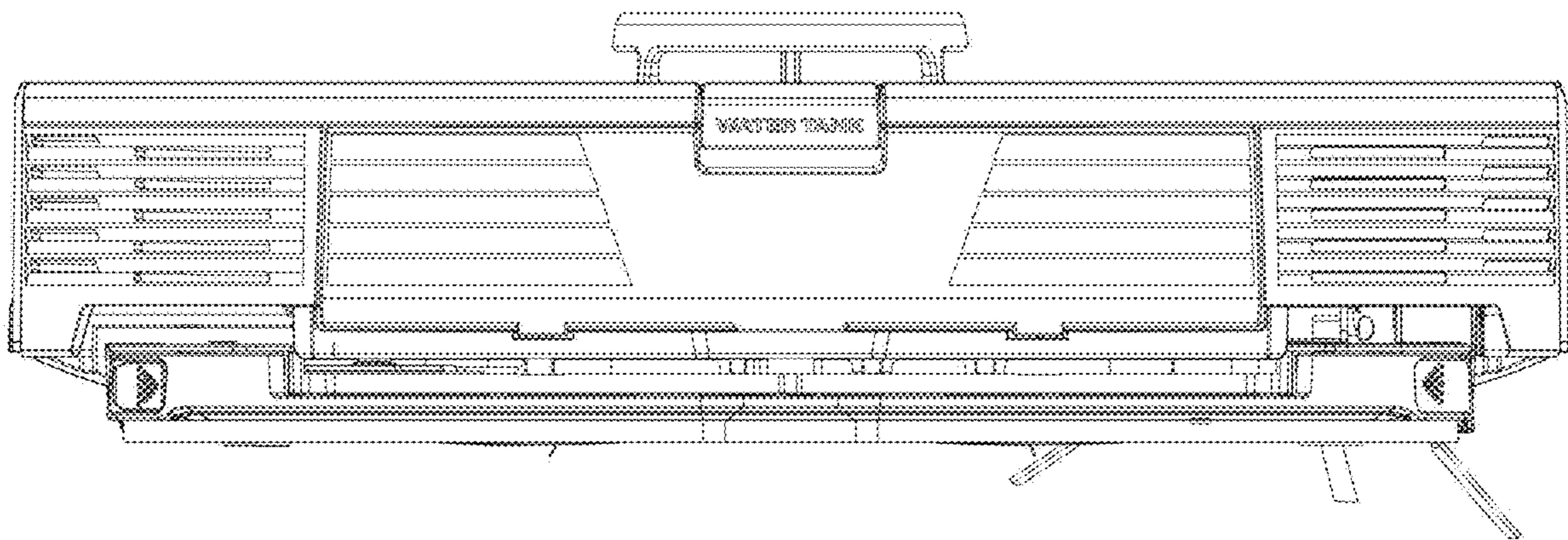


FIG. 1.2

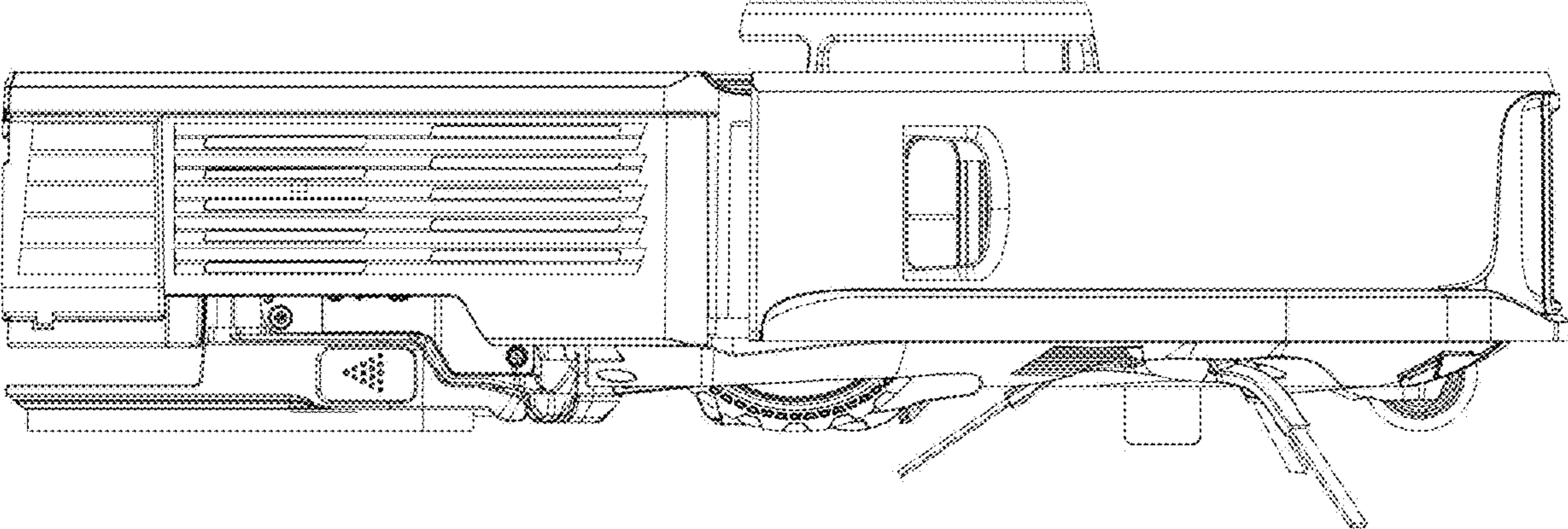


FIG. 1.3

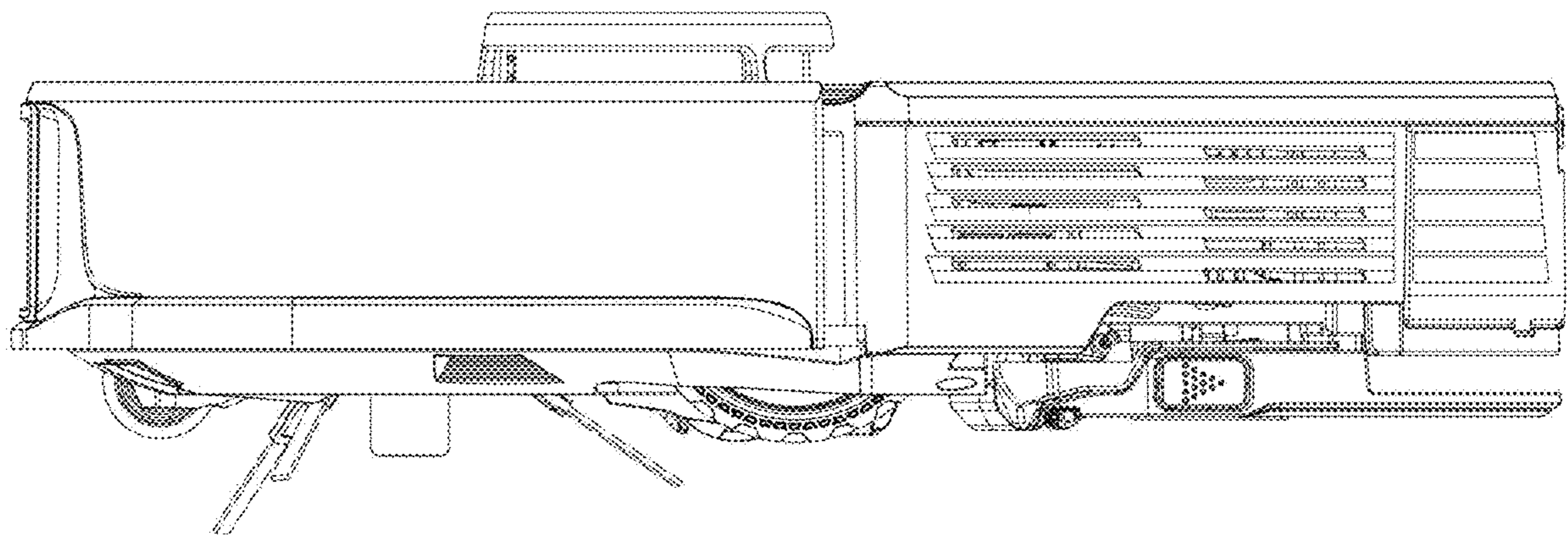


FIG. 1.4

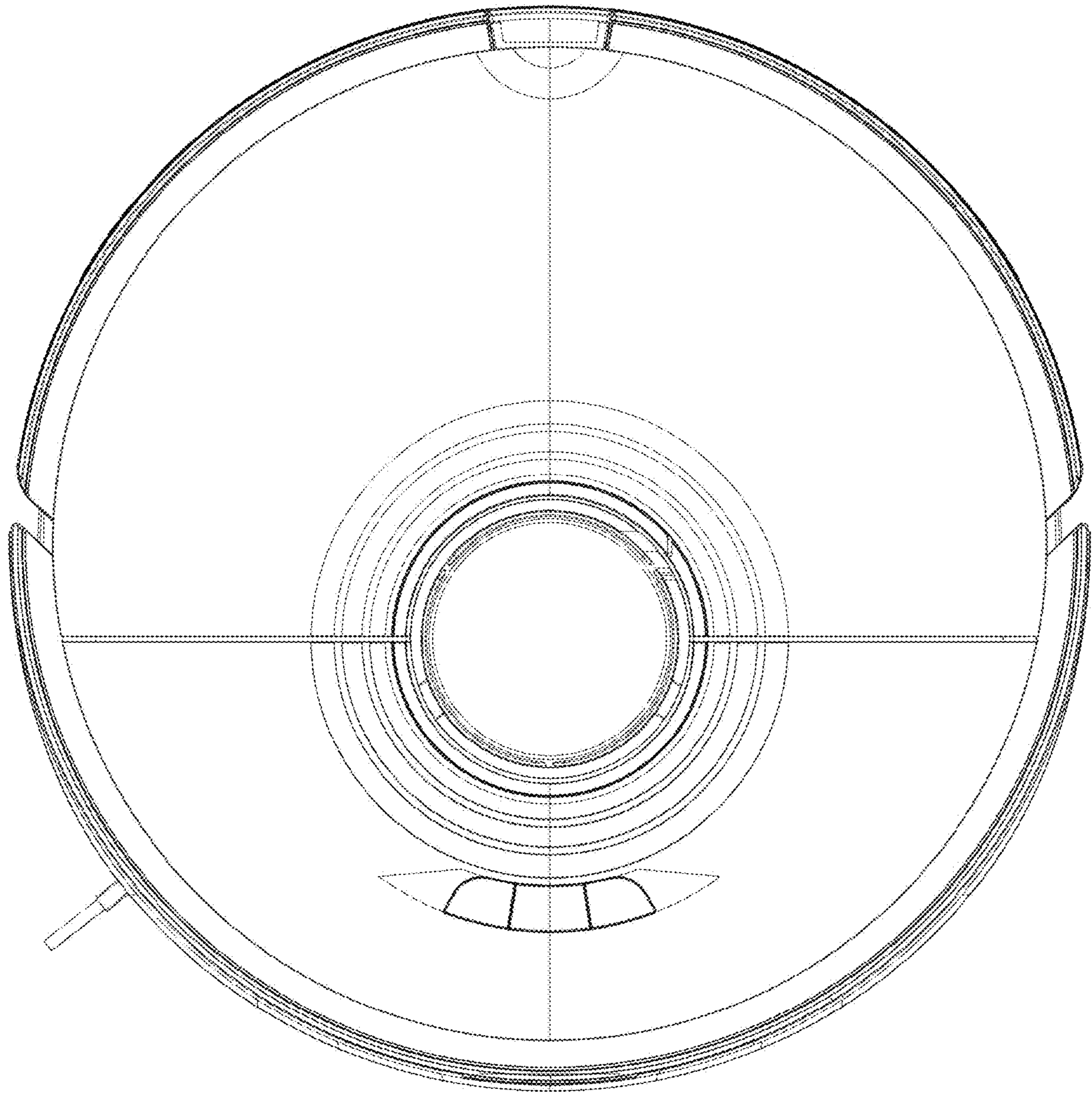


FIG. 1.5

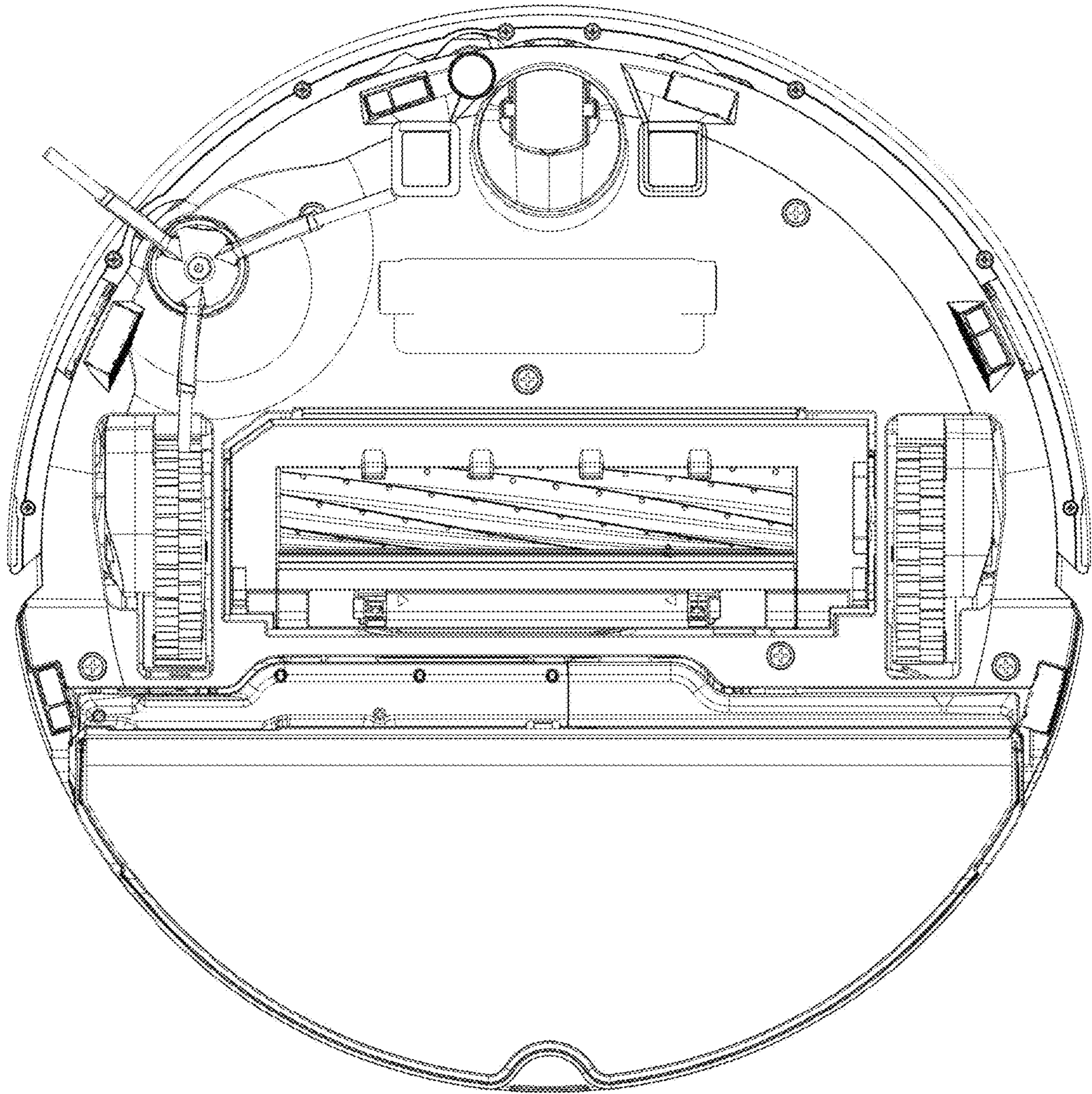


FIG. 1.6



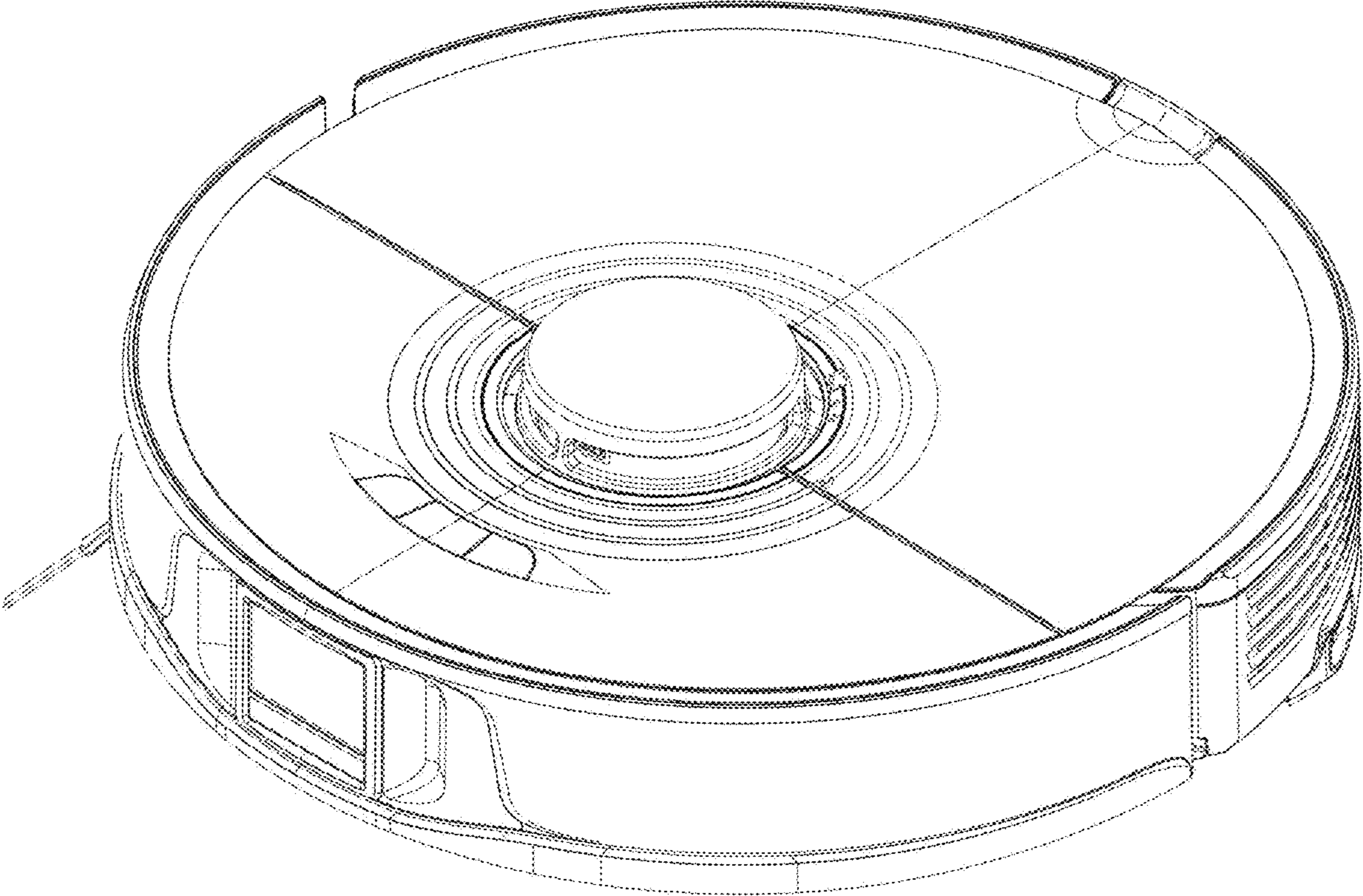


FIG. 1.7