



US00D985865S

(12) **United States Design Patent**
Miao

(10) **Patent No.:** **US D985,865 S**
(45) **Date of Patent:** **** May 9, 2023**

(54) **GPS PET FENCE DEVICE**

(71) Applicant: **Yu Miao**, Shenzhen (CN)

(72) Inventor: **Yu Miao**, Shenzhen (CN)

(**) Term: **15 Years**

(21) Appl. No.: **29/861,880**

(22) Filed: **Dec. 5, 2022**

(51) **LOC (14) Cl.** **30-99**

(52) **U.S. Cl.**
USPC **D30/199; D10/104.1**

(58) **Field of Classification Search**
USPC D30/151-155, 144, 199, 160;
119/792-798, 850, 855-859, 654, 905,
119/907, 815, 712, 802, 784, 769, 760,
119/776, 862, 908, 860, 719-721;
242/381.1-381.2, 385.4, 378.3, 376.1,
242/385.1, 916, 601, 570, 405, 404, 371,
242/223, 170, 388.1, 405.2, 377, 381.3,
242/381.6, 405.3, 388.6, 384.7, 382,
242/396.1, 404.1, 380; 362/108; 33/767,
33/769, 414; D12/400; D3/229, 230,
D3/207, 208, 215; 40/1.5, 455, 640, 303;
206/63.3, 459.5, 702, 408; D6/515;
D8/358, 360, 347, 360.1, 359, 356,
D8/DIG. 1; D24/145, 167, 186, 146, 169;
D10/57, 72, 106.1, 104.1, 104.2, 109.2,
D10/70, 97, 98, 78, 65; D20/28;
224/666, 678; 16/445; 283/74, 70;
D11/232, 200, 216, 1, 2, 86, 87, 201,
D11/206-210, 212-215, 218; 24/163 K,
24/122.3, 323, 702, 600.4-600.7, 163 R,
24/169-171, 173, 177-179, 191, 194,
24/195, 197, 200, 303, 616, 635, 313,
24/615, 3, 6, 3 K, 599.2, 96, 221, 237,
24/311, 312, 314, 321, 338, 339, 309;
428/3, 4; 54/76, 1, 71; 63/29.1, 3;
191/12.2 R, 12.4; D13/154, 153, 137.4,
D13/155, 103, 168; D19/69, 67;

379/438; 446/26; 473/576; D22/140;
174/135; 439/504, 13, 501; D34/33;
188/83, 82.1, 65.1; 254/134.3 FT;
29/124; D2/627, 624, 633, 625;
132/145, 146, 148; 2/314; 59/79.1;
340/573.3, 573.1, 573, 573.4,
340/539.13-539.19; 343/895;
278/8 AES; 231/7; 361/232; D14/344,
D14/341, 137, 155, 496, 203.5, 203.3,
D14/144, 218, 188, 216, 192;
(Continued)

(56) **References Cited**

U.S. PATENT DOCUMENTS

D520,894 S * 5/2006 Zakharyan D30/199
D632,853 S * 2/2011 Hardi D30/155
(Continued)

Primary Examiner — Susan Moon Lee
(74) *Attorney, Agent, or Firm* — Rumit Ranjit Kanakia

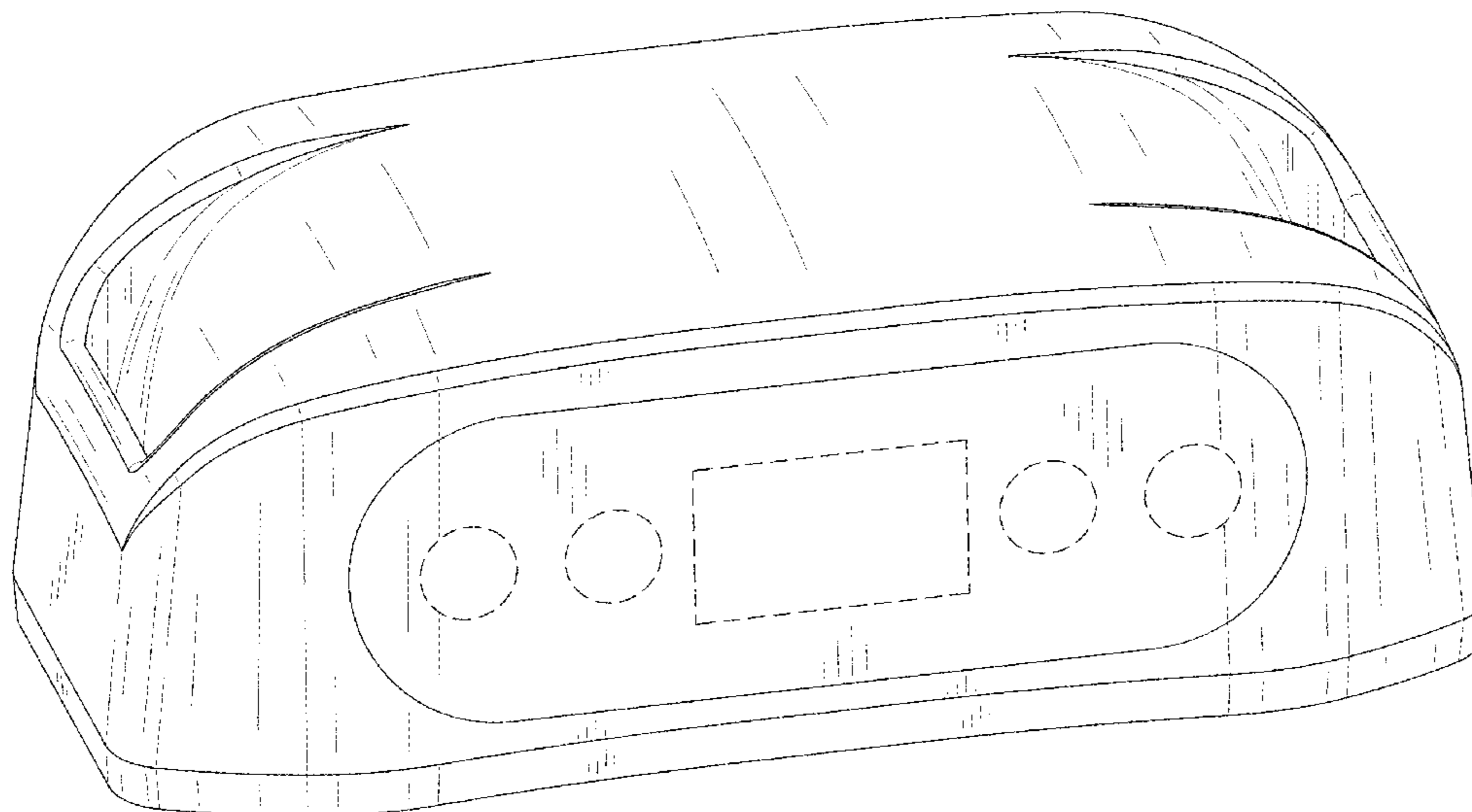
(57) **CLAIM**

The ornamental design for a GPS pet fence device, as shown and described.

DESCRIPTION

FIG. 1 is a first perspective view of a GPS pet fence device showing my new design;
FIG. 2 is a second perspective view thereof;
FIG. 3 is a front view thereof;
FIG. 4 is a back view thereof;
FIG. 5 is a left side view thereof;
FIG. 6 is a right side view thereof;
FIG. 7 is a top view thereof; and,
FIG. 8 is a bottom view thereof.
The broken lines shown in the drawings depict portions of the GPS pet fence device that form no part of the claimed design.

1 Claim, 8 Drawing Sheets



US D985,865 S

Page 2

(58) **Field of Classification Search**

USPC 342/357.51, 357.57, 357.52, 357.55;
455/100, 352, 456.1, 550.1; 315/291
CPC A01K 15/021; A01K 15/02; A01K 15/022;
A01K 15/023; A01K 15/029; A01K
15/04; A01K 15/00; A01K 15/006; A01K
12/022; A01K 27/009; A01K 27/00;
A01K 27/001; A01K 27/006-008; A01K
29/005; A01K 29/00; A61B 5/0002-0028;
A61B 5/681; A61B 5/6822; A61B
5/6824; A61B 5/6829; G01S 5/0294

See application file for complete search history.

(56) **References Cited**

U.S. PATENT DOCUMENTS

D673,334 S * 12/2012 Guo D30/152
D726,052 S * 4/2015 Henning D10/70
D772,745 S * 11/2016 Henne D10/70
9,861,080 B1 * 1/2018 Hathway A01K 27/001
D828,579 S * 9/2018 Saltijeral
D829,120 S * 9/2018 Mitchell D10/104.1
D834,769 S * 11/2018 Wen D10/104.1
D835,364 S * 12/2018 Lee D10/104.1

D835,533 S * 12/2018 Zheng D10/70
10,154,651 B2 * 12/2018 Goetzl A01K 15/021
D853,666 S * 7/2019 Ni D10/104.1
D858,904 S * 9/2019 Zinn D10/104.1
D863,297 S * 10/2019 Ke D14/344
D865,546 S * 11/2019 Kellock D10/70
D865,761 S * 11/2019 Choplin D14/344
D877,932 S * 3/2020 Saltijeral
D886,325 S * 6/2020 Saltijeral
D888,353 S * 6/2020 Lan D10/104.1
D895,908 S * 9/2020 Yan D14/188
D898,613 S * 10/2020 Stapleton D11/216
D919,201 S * 5/2021 Wang D10/104.1
D925,141 S * 7/2021 Lai D10/104.1
D929,682 S * 8/2021 Li D10/104.1
D944,470 S * 2/2022 Li D10/104.1
D950,170 S * 4/2022 Li D10/104.1
D952,961 S * 5/2022 Li D30/152
D953,667 S * 5/2022 Li D30/152
D954,015 S * 6/2022 Chen D14/155
D957,763 S * 7/2022 Jia D10/104.1
D965,926 S * 10/2022 Mo D10/104.1
D967,567 S * 10/2022 Wei D10/104.1
D967,569 S * 10/2022 Chen D10/104.1
D970,827 S * 11/2022 Zhuang D30/152
D972,236 S * 12/2022 Liang D10/104.1

* cited by examiner

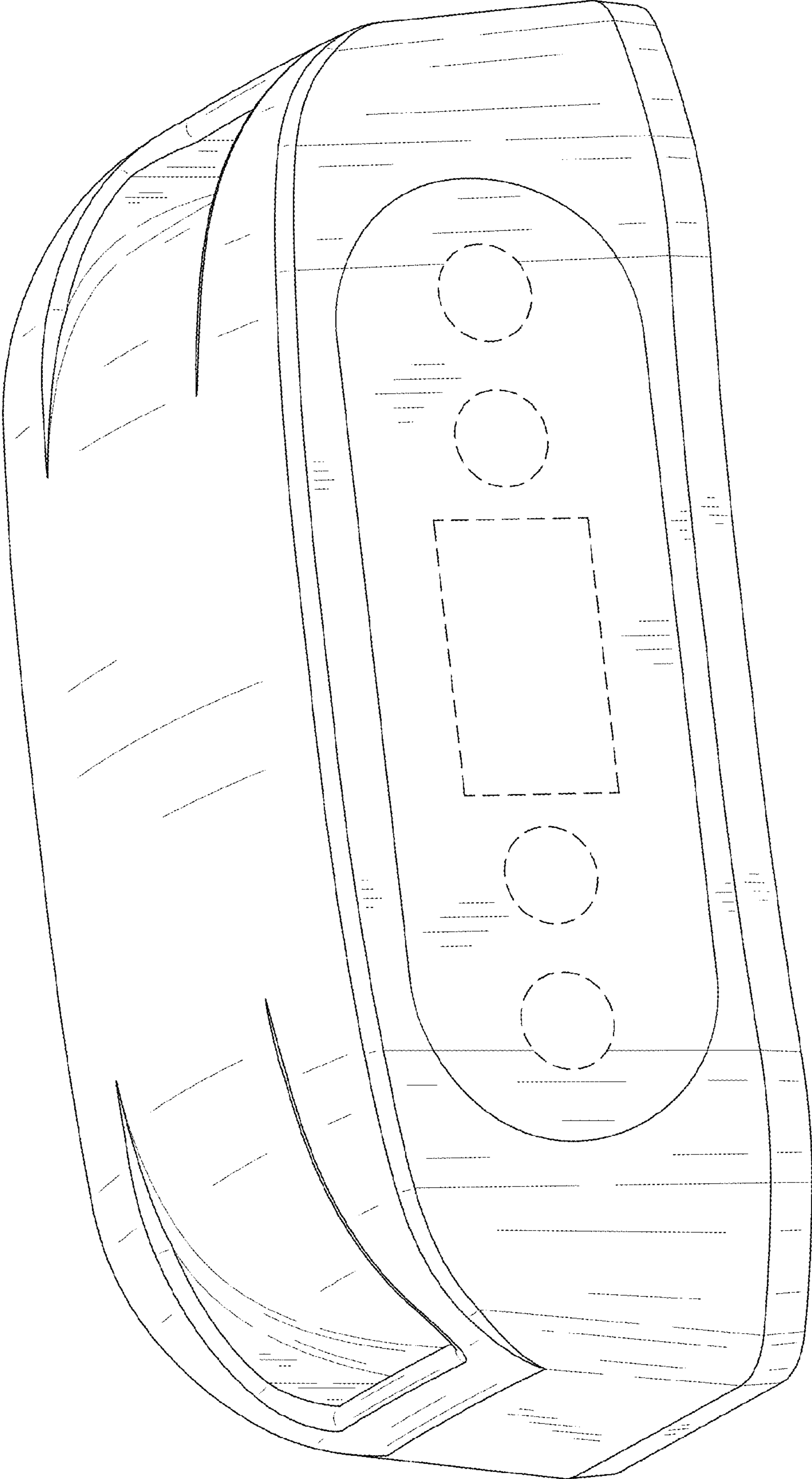


FIG. 1

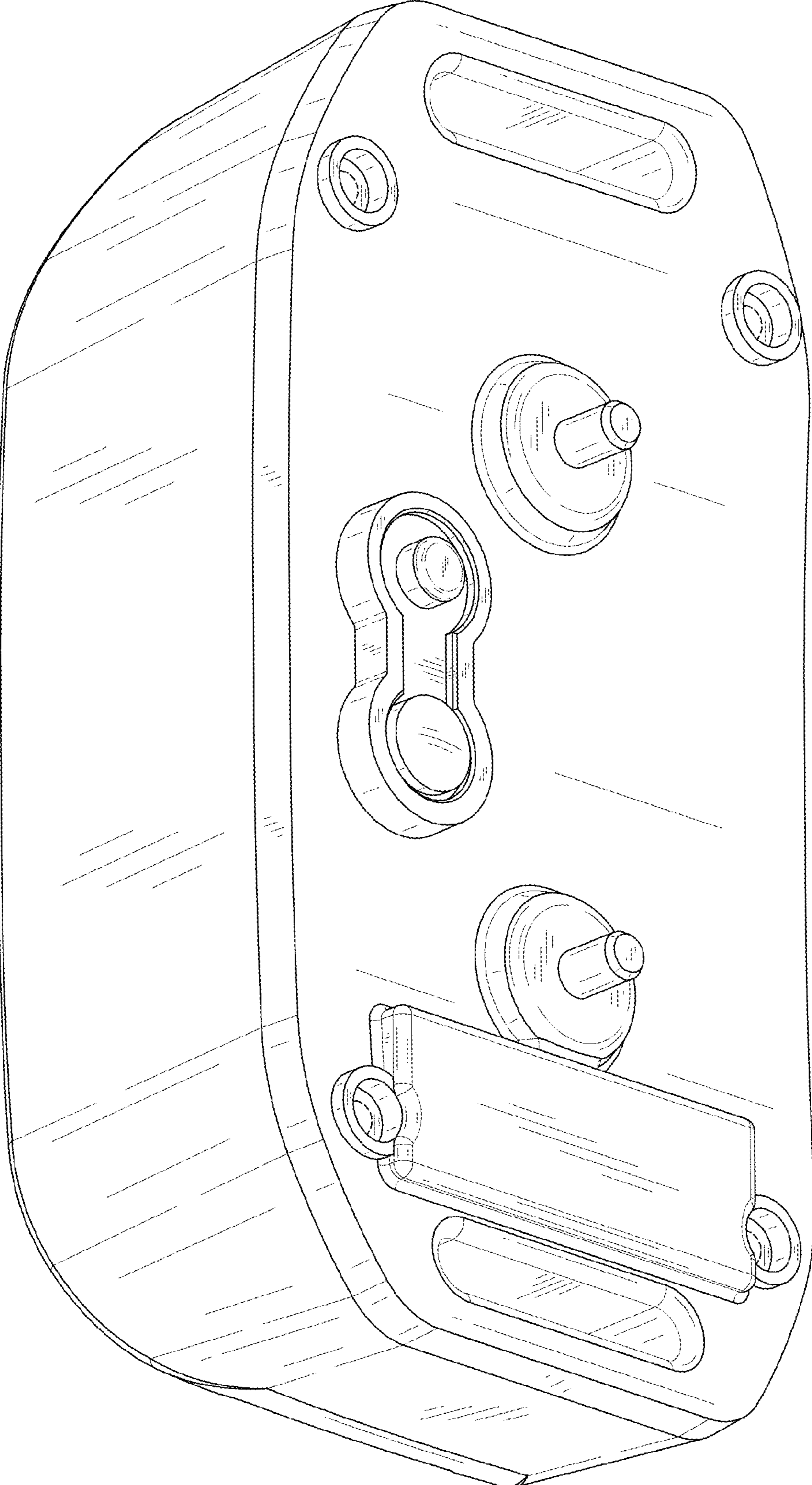


FIG. 2

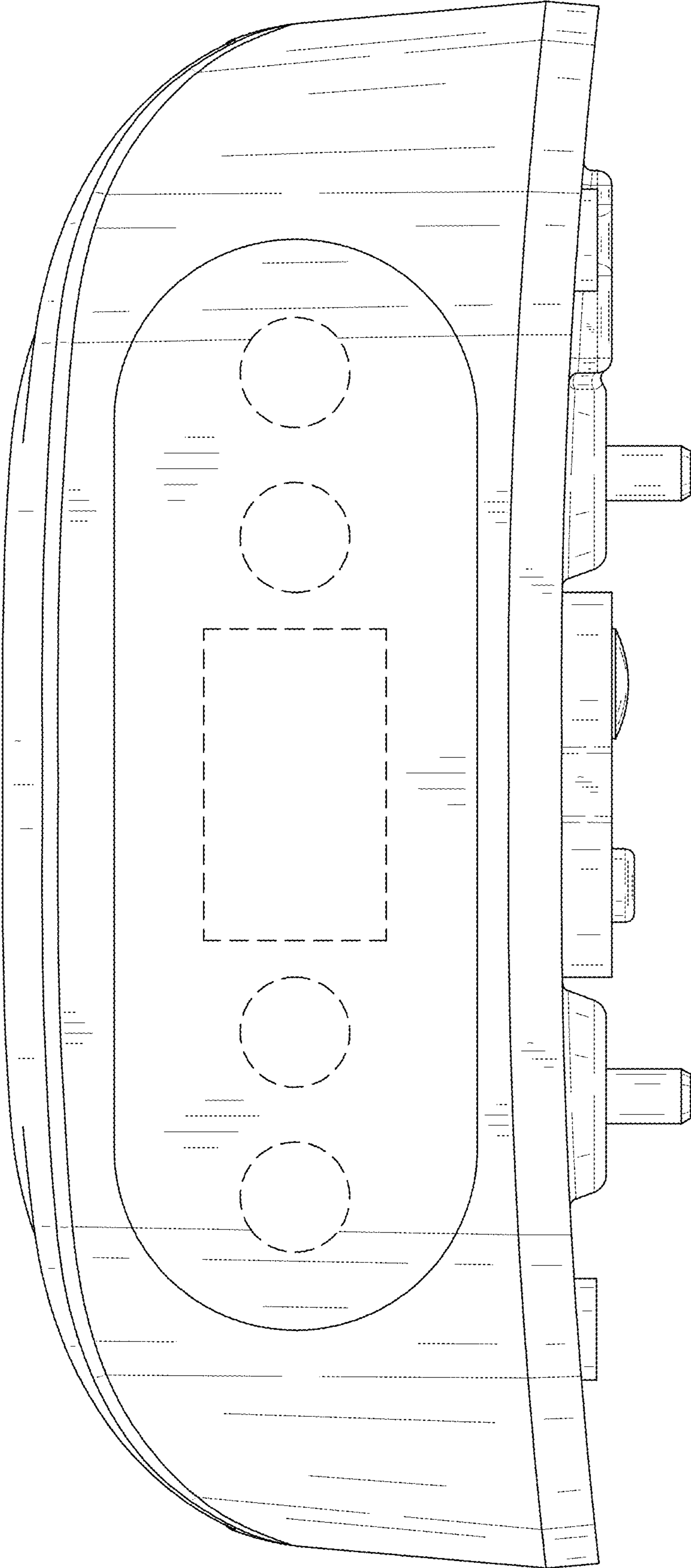


FIG. 3

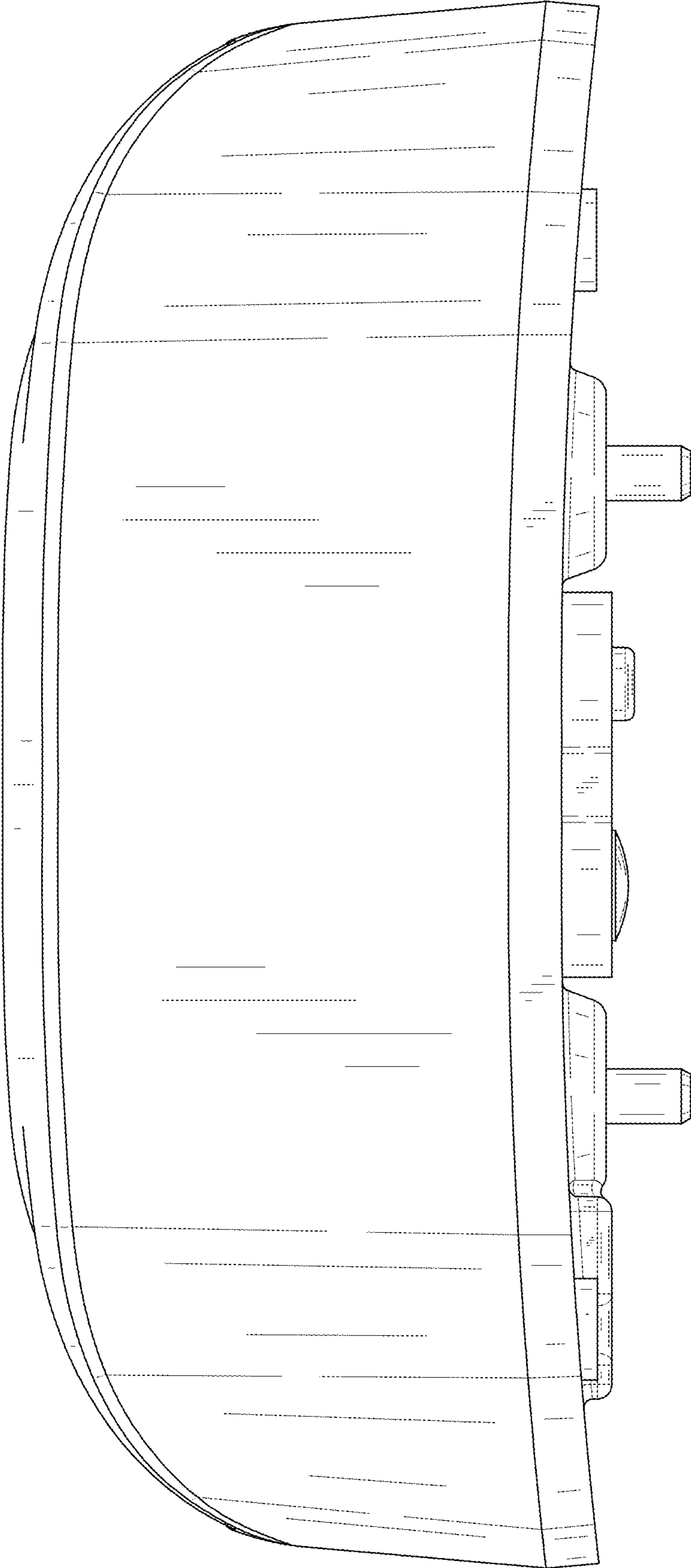


FIG. 4

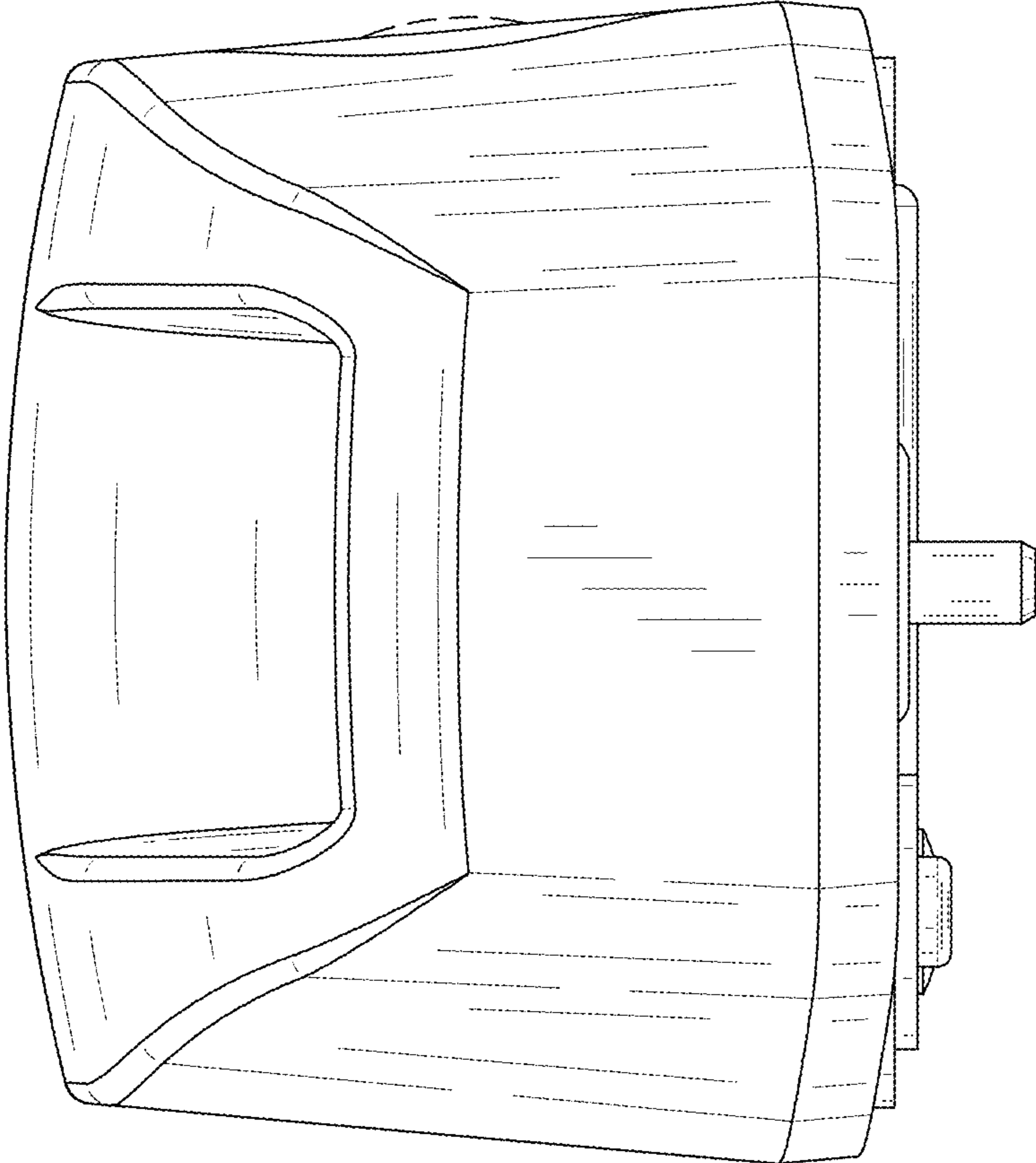


FIG. 5

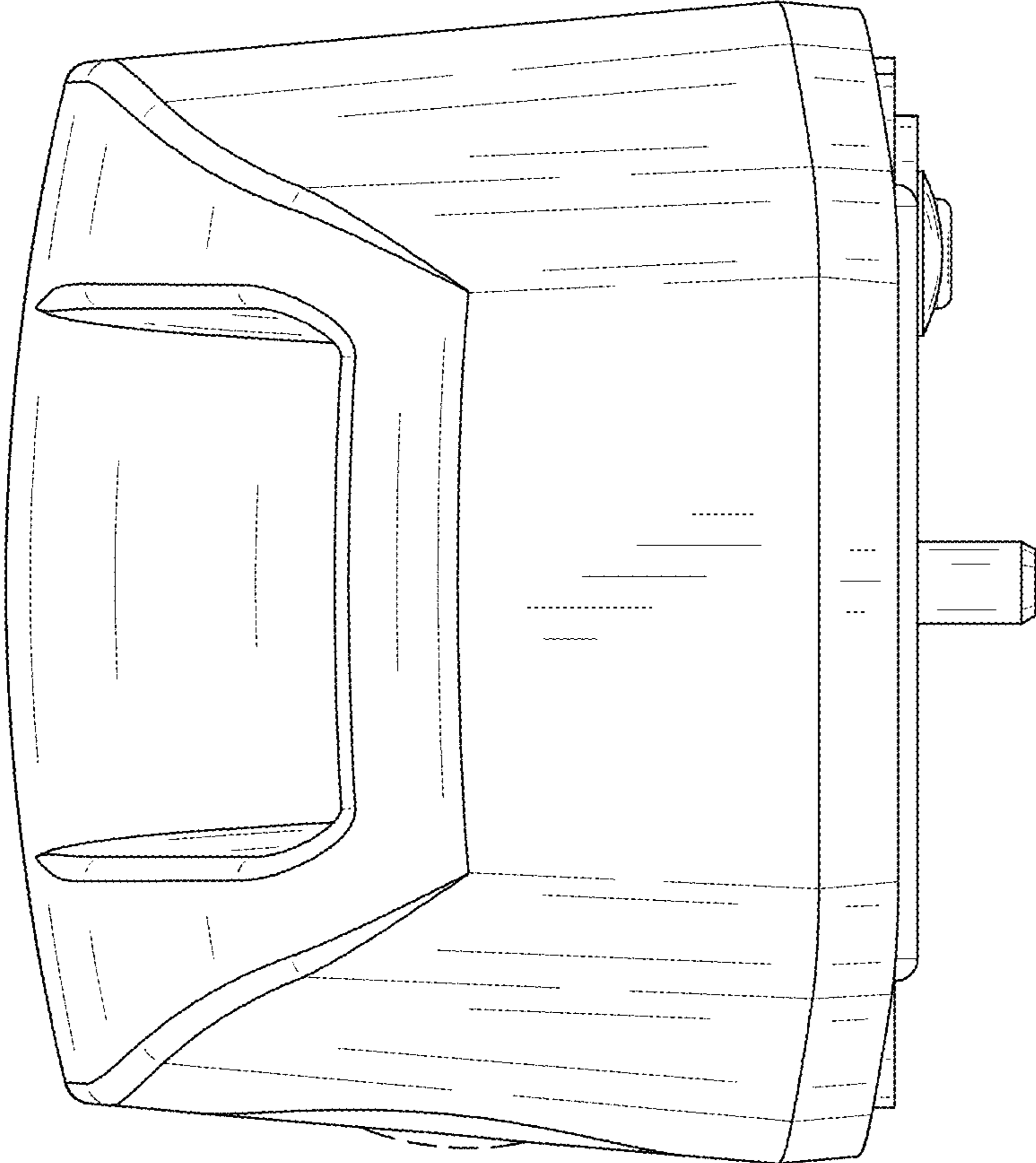


FIG. 6

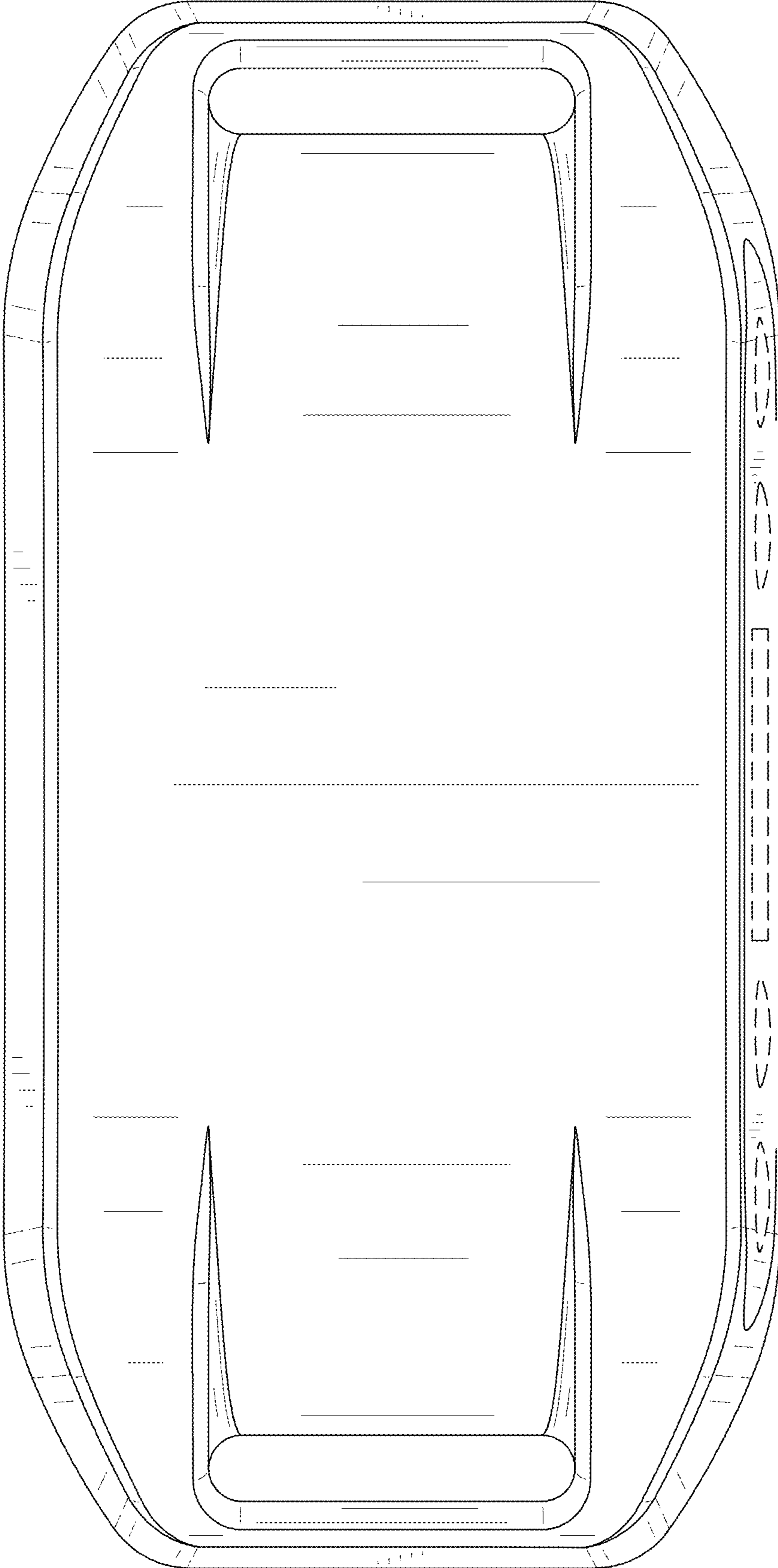


FIG. 7

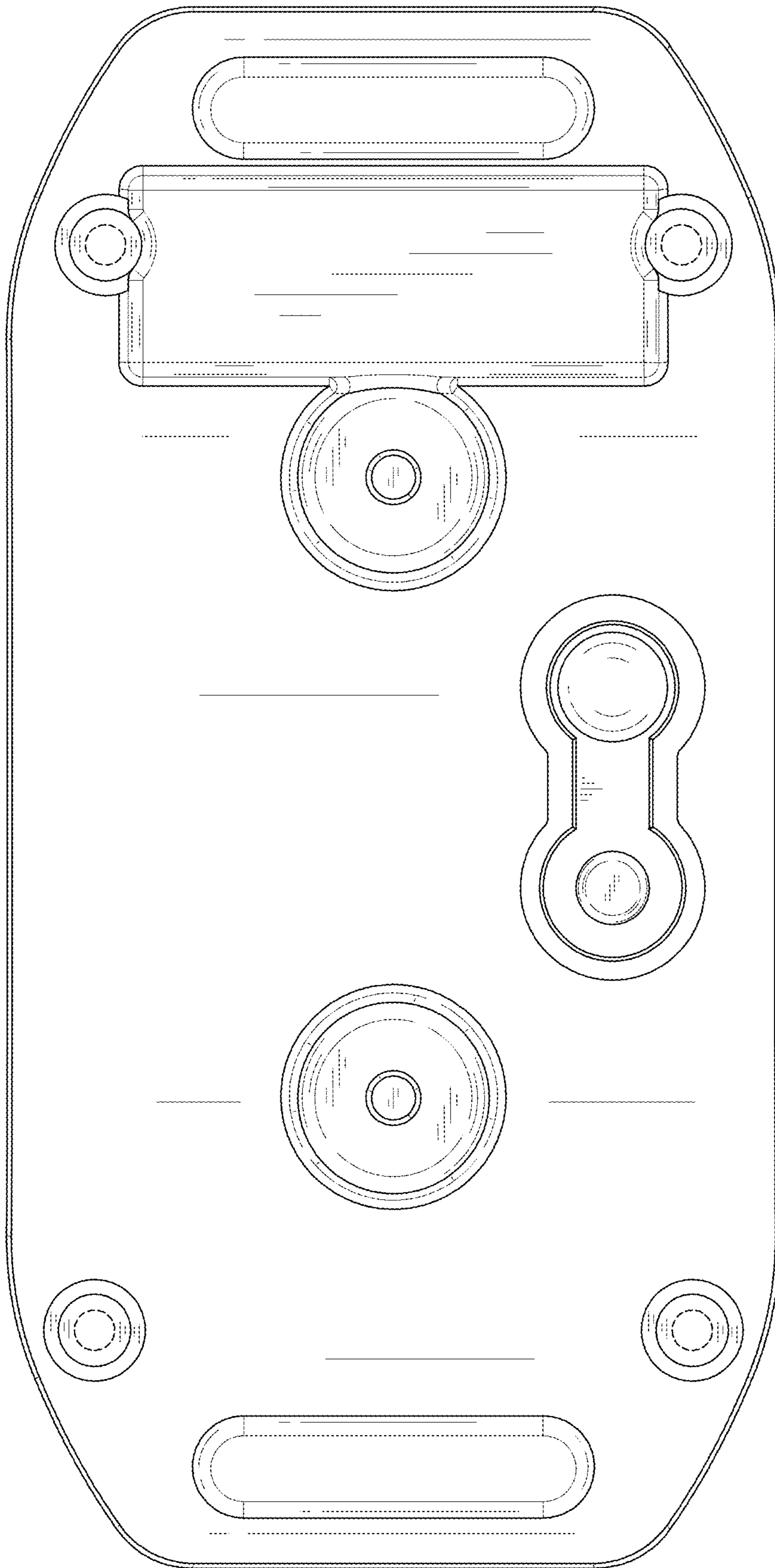


FIG. 8