



US00D985864S

(12) **United States Design Patent** (10) **Patent No.:** **US D985,864 S**
Liu (45) **Date of Patent:** **** May 9, 2023**

(54) **DOG TRAINER**

(71) Applicant: **Shenzhen Hedasheng Trading Co., Ltd.**, Shenzhen (CN)

(72) Inventor: **Ziwen Liu**, Shenzhen (CN)

(**) Term: **15 Years**

(21) Appl. No.: **29/859,764**

(22) Filed: **Nov. 14, 2022**

(51) **LOC (14) Cl.** **30-99**

(52) **U.S. Cl.**
USPC **D30/199; D10/104.1**

(58) **Field of Classification Search**
USPC D30/151-155, 144, 199, 160;
119/792-798, 850, 855-859, 863-865,
119/654, 905, 907, 815, 712, 802, 784,
119/769, 760, 776, 862, 908, 860,
119/719-721; 242/381.1-381.2, 385.4,
242/378.3, 376.1, 385.1, 916, 601, 570,
242/405, 404, 371, 223, 170, 388.1,
242/405.2, 377, 381.3, 381.6, 405.3,
242/388.6, 384.7, 382, 396.1, 404.1, 380;
362/108; 33/767, 769, 414; D12/400;
D3/229, 230, 207, 208, 215; 40/1.5, 455,
40/640, 303; 206/63.3, 459.5, 702, 408;
D6/515; D8/358, 360, 347, 360.1, 359,
D8/356, DIG. 1; D24/145, 167, 186, 146,
D24/169; D10/57, 72, 106.1, 104.1,
D10/104.2, 109.2, 70, 97, 98, 78, 65;
D20/28; 224/668, 678; 16/445; 283/74,
283/70; D11/232, 200, 216, 1, 2, 86, 87,
D11/201, 206-210, 212-215, 218;
24/163 K, 122.3, 323, 702, 600.4-600.7,
24/163 R, 169-171, 173, 177-179, 191,
24/194, 195, 197, 200, 303, 616, 635,
24/313, 615, 3, 6, 3 K, 599.2, 96, 221,
24/237, 311, 312, 314, 321, 338, 339,
24/309; 428/3, 4; 54/76, 1, 71; 63/29.1,
63/3; 191/12.2 R, 12.4; D13/154, 153,
(Continued)

(56) **References Cited**

U.S. PATENT DOCUMENTS

D630,388 S * 1/2011 Lai D30/199
D813,473 S * 3/2018 Ni D10/104.1

(Continued)

Primary Examiner — Susan Moon Lee

(74) *Attorney, Agent, or Firm* — Runit Ranjit Kanakia

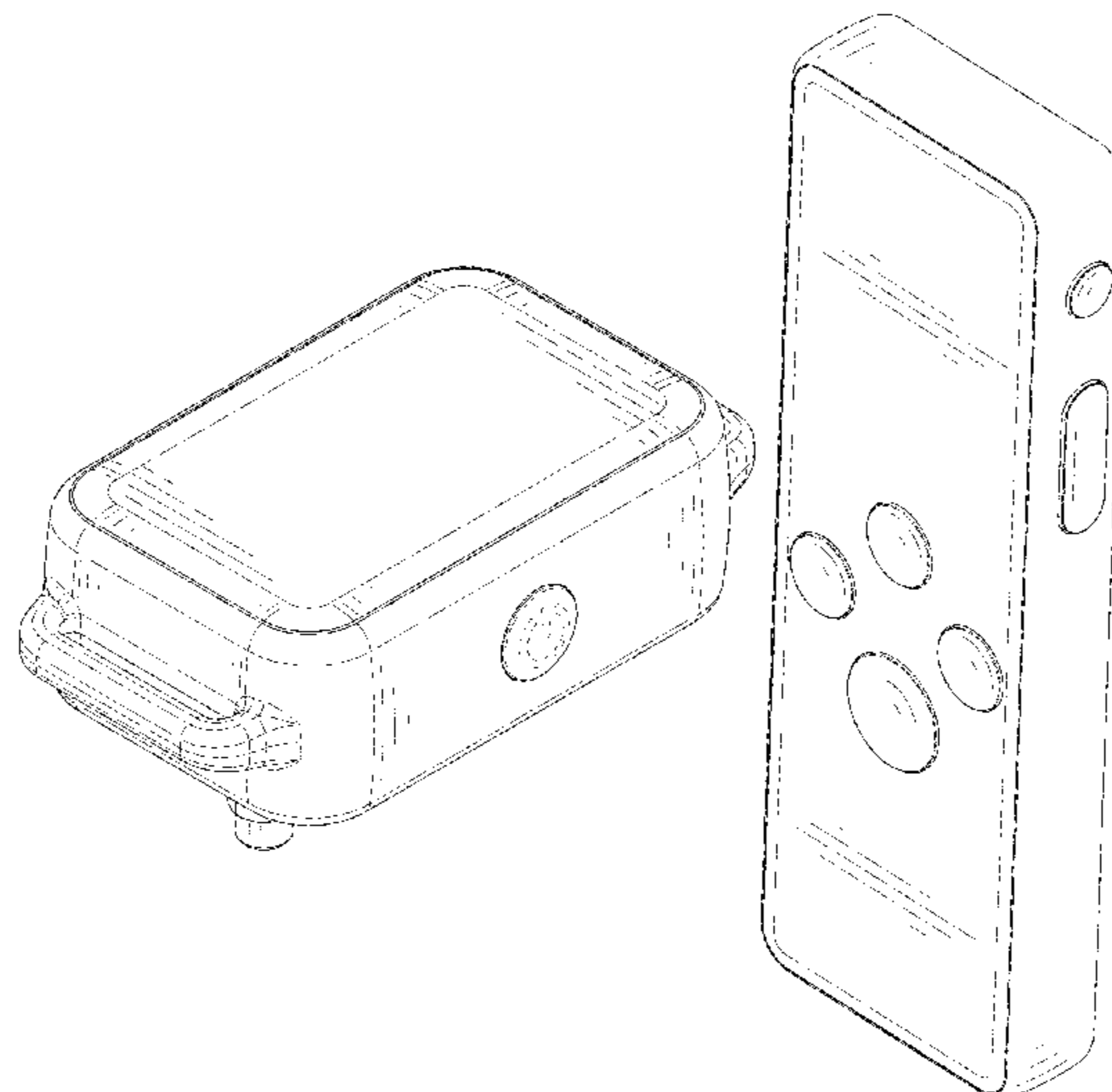
(57) **CLAIM**

The ornamental design for a dog trainer, as shown and described.

DESCRIPTION

FIG. 1 is a first perspective view of the receiver component of the dog trainer showing my new design;
FIG. 2 is a second perspective view thereof;
FIG. 3 is a front view thereof;
FIG. 4 is a back view thereof;
FIG. 5 is a left side view thereof;
FIG. 6 is a right side view thereof;
FIG. 7 is a top view thereof;
FIG. 8 is a bottom view thereof;
FIG. 9 is a first perspective view of the transmitter component of the dog trainer showing my new design;
FIG. 10 is a second perspective view thereof;
FIG. 11 is a front view thereof;
FIG. 12 is a back view thereof;
FIG. 13 is a left side view thereof;
FIG. 14 is a right side view thereof;
FIG. 15 is a top view thereof;
FIG. 16 is a bottom view thereof; and,
FIG. 17 is a perspective view of the dog trainer in accordance with the present design.
The broken lines shown in the drawings depict portions of the dog trainer that form no part of the claimed design.

1 Claim, 17 Drawing Sheets



(58) Field of Classification Search

USPC D13/137.4, 155, 103, 168; D19/69, 67;
 379/438; 446/26; 473/576; D22/140;
 174/135; 439/504, 13, 501; D34/33;
 188/83, 82.1, 65.1; 254/134.3 FT;
 D29/124; D2/627, 624, 633, 625;
 132/145, 146, 148; 2/314; 59/79.1;
 340/573.3, 573.1, 573, 573.4,
 340/539.13–539.19; 343/895;
 278/8 AES; 231/7; 361/232; D14/344,
 D14/341, 137, 155, 496, 203.5, 203.3,
 D14/144, 218, 188, 216, 192;
 342/357.51, 357.57, 357.52, 357.55;
 455/100, 352, 456.1, 550.1; 315/291
 CPC A01K 15/021; A01K 15/02; A01K 15/022;
 A01K 15/023; A01K 15/029; A01K
 15/04; A01K 15/00; A01K 15/006; A01K
 12/022; A01K 27/009; A01K 27/00;
 A01K 27/001; A01K 27/006–008; A01K
 29/005; A01K 29/00; A61B 5/0002–0028;
 A61B 5/681; A61B 5/6822; A61B
 5/6824; A61B 5/6829; G01S 5/0294

See application file for complete search history.

(56)

References Cited

U.S. PATENT DOCUMENTS

D824,120	S	7/2018	Yang et al.	
D834,769	S *	11/2018	Wen	D10/104.1
D835,364	S *	12/2018	Lee	D10/104.1
D888,353	S *	6/2020	Lan	D10/104.1
D897,057	S	9/2020	Jia	
D898,307	S *	10/2020	Yang	D10/104.1
D917,115	S	4/2021	Tang	
D919,201	S *	5/2021	Wang	D10/104.1
D925,141	S *	7/2021	Lai	D10/104.1
D929,682	S *	8/2021	Li	D10/104.1
D944,470	S *	2/2022	Li	D10/104.1
D950,170	S *	4/2022	Li	D10/104.1
D951,565	S *	5/2022	Li	D10/104.1
D952,967	S *	5/2022	Li	D10/104.1
D953,667	S *	5/2022	Li	D30/152
D965,926	S *	10/2022	Mo	D10/104.1
D967,567	S *	10/2022	Wei	D10/104.1
D967,569	S *	10/2022	Chen	D10/104.1
D968,041	S *	10/2022	Chen	D10/104.1
D968,728	S *	11/2022	Ye	D10/104.1
D972,236	S *	12/2022	Liang	D10/104.1

* cited by examiner

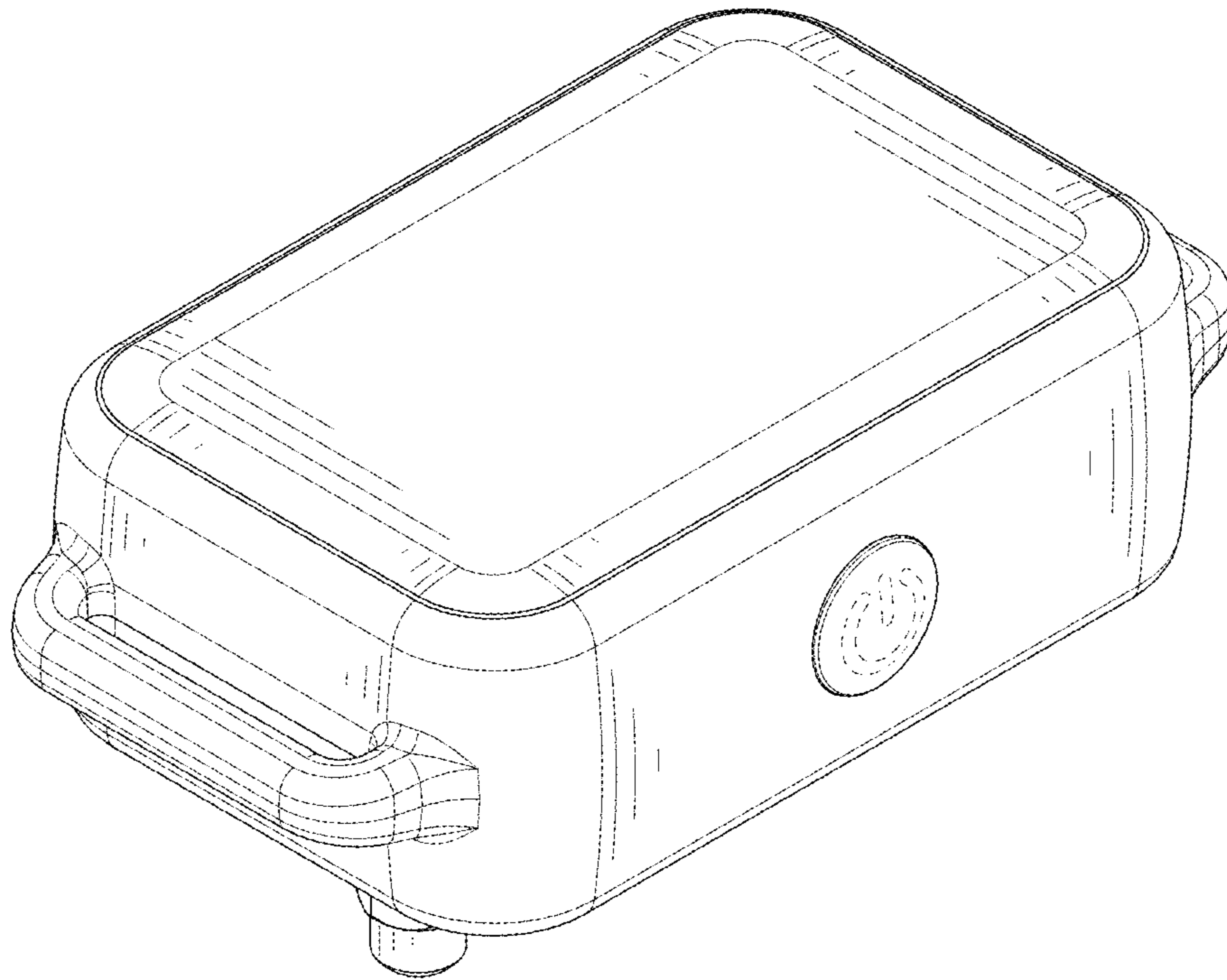


FIG. 1

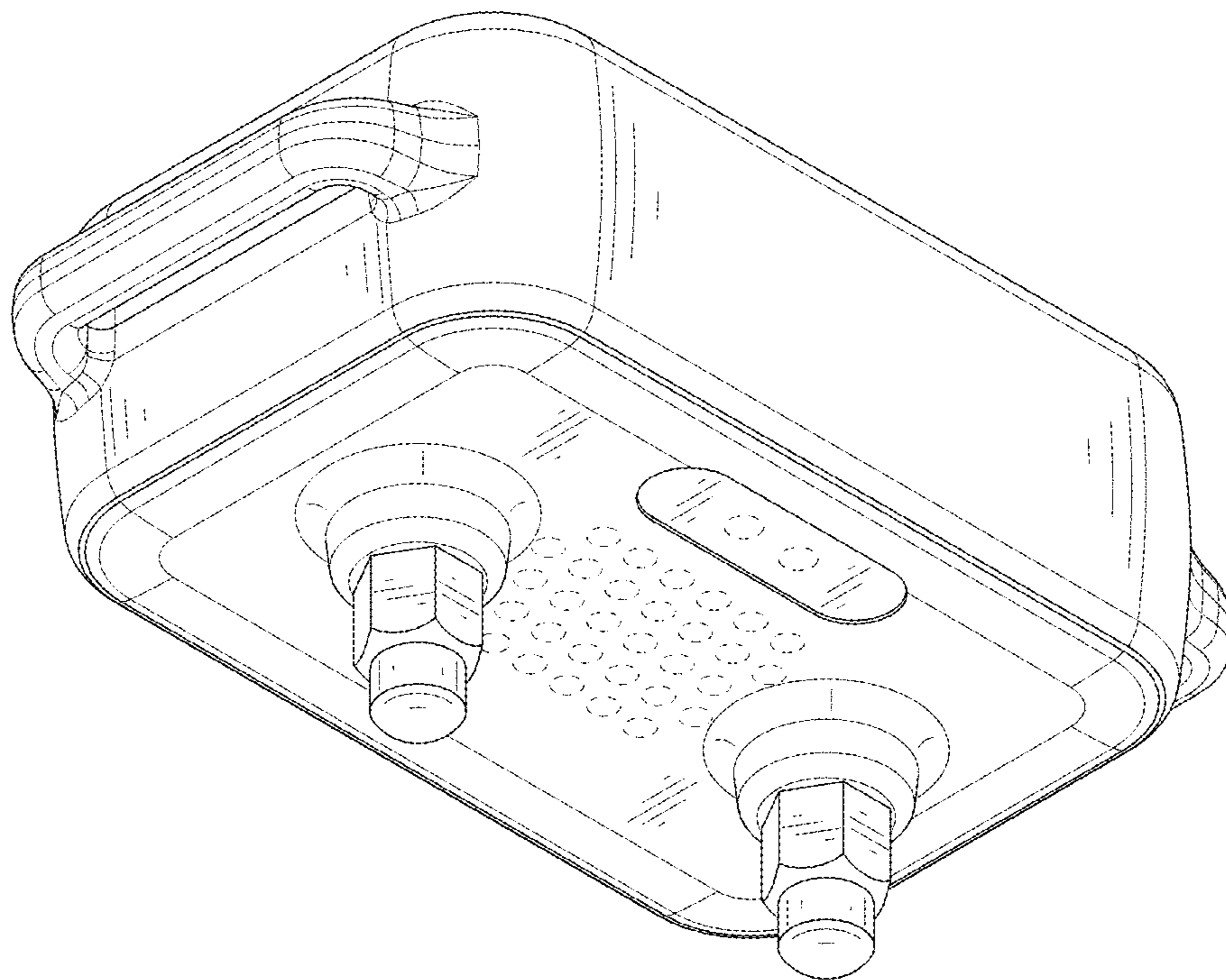


FIG. 2

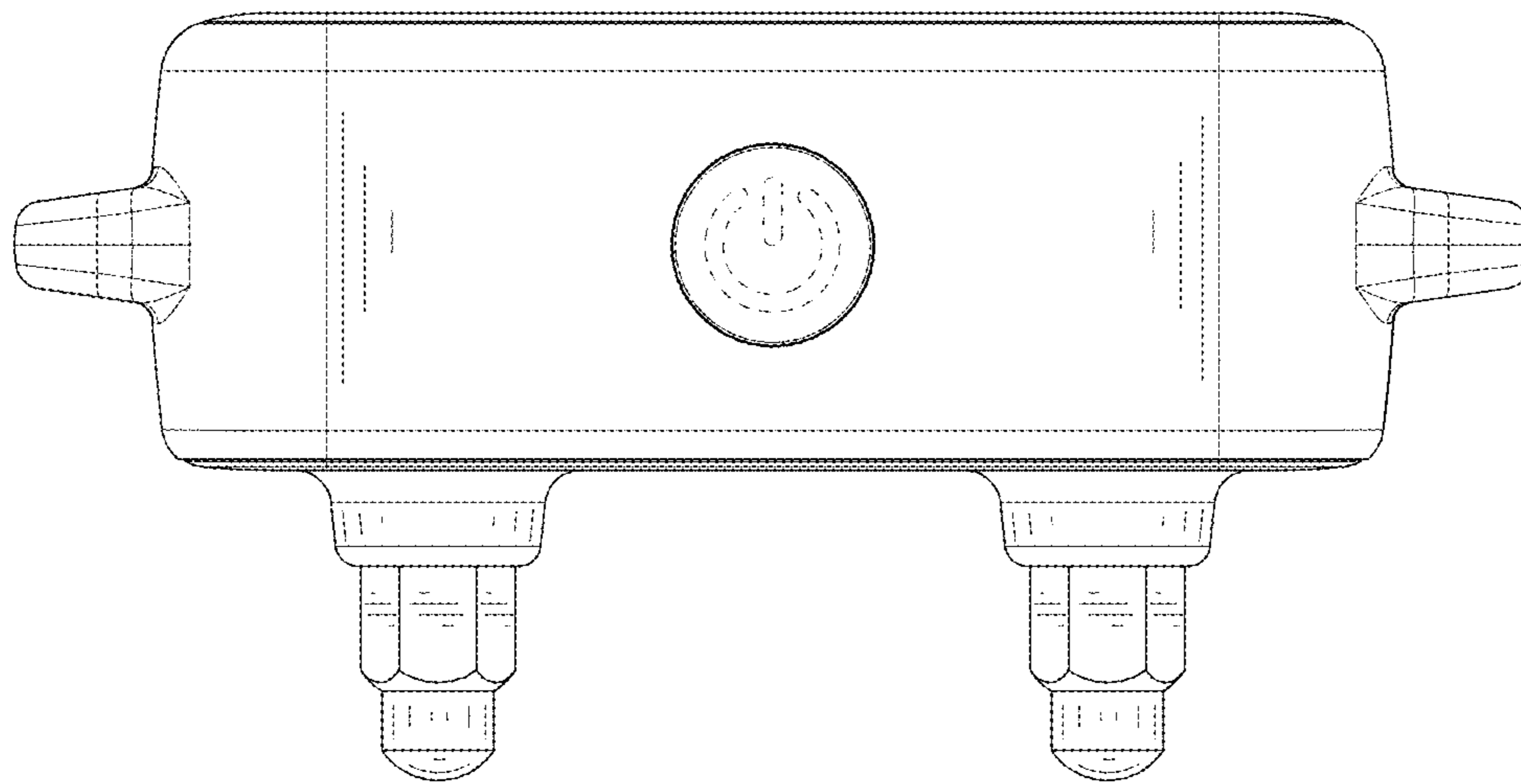


FIG. 3

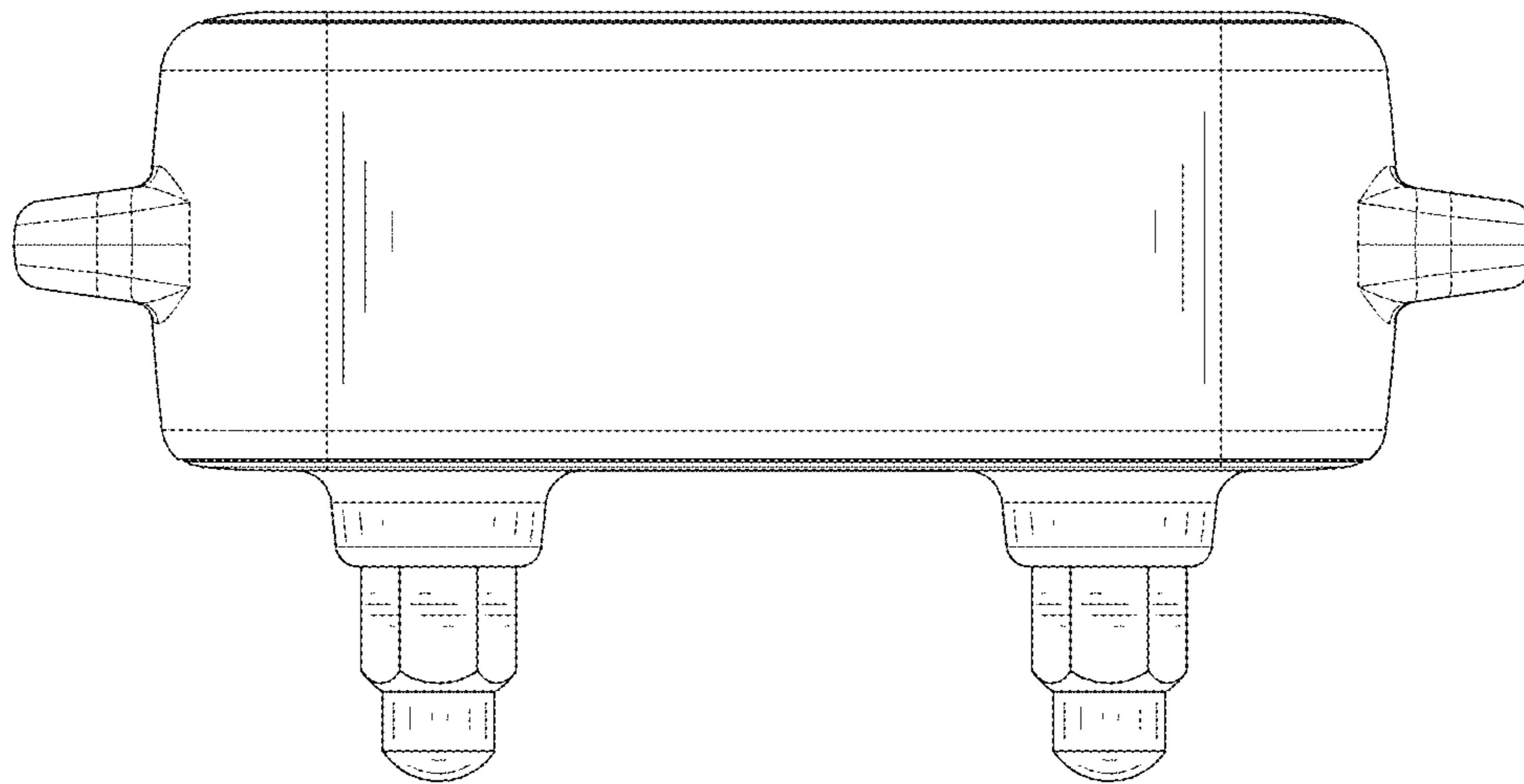


FIG. 4

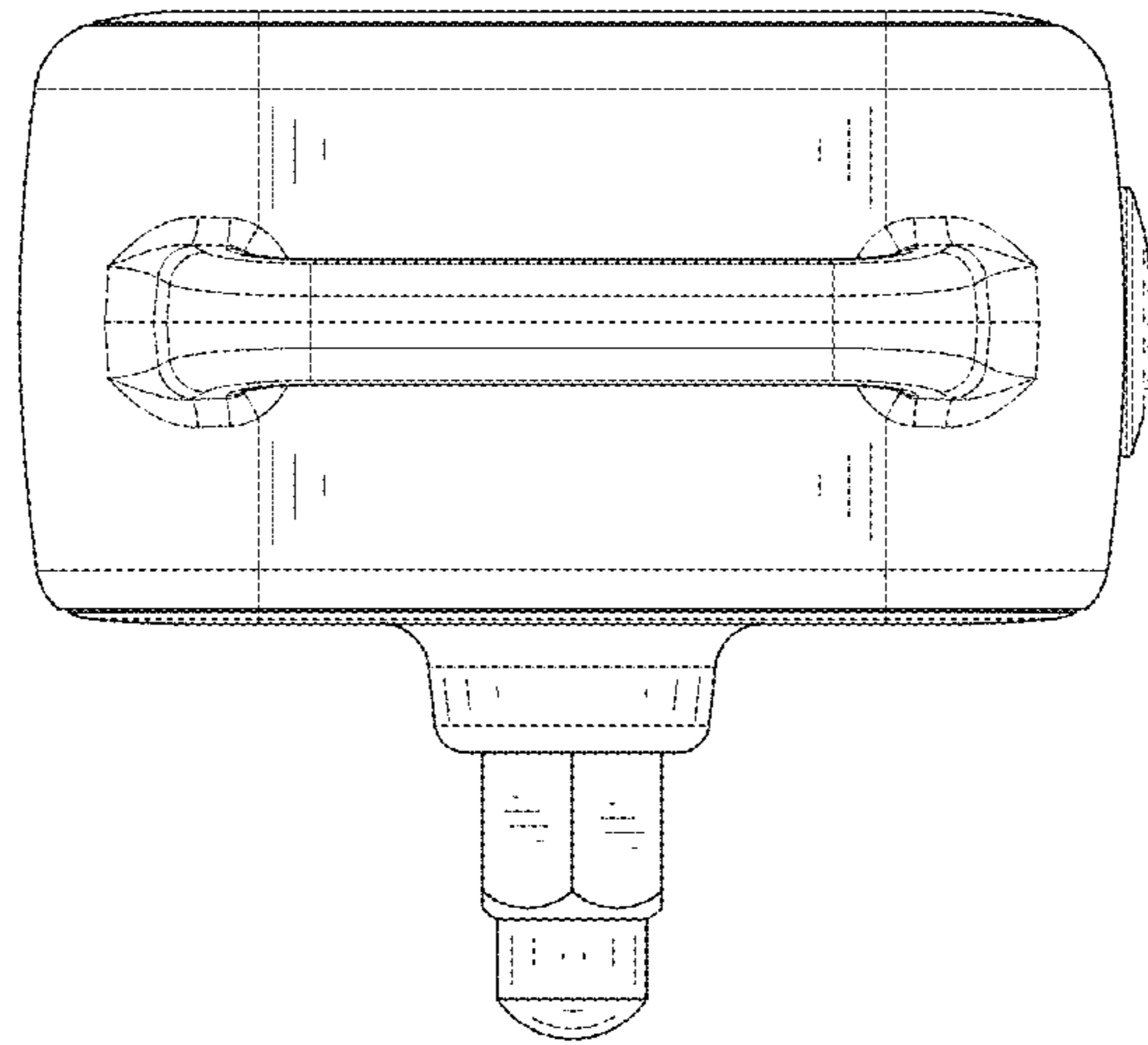


FIG. 5

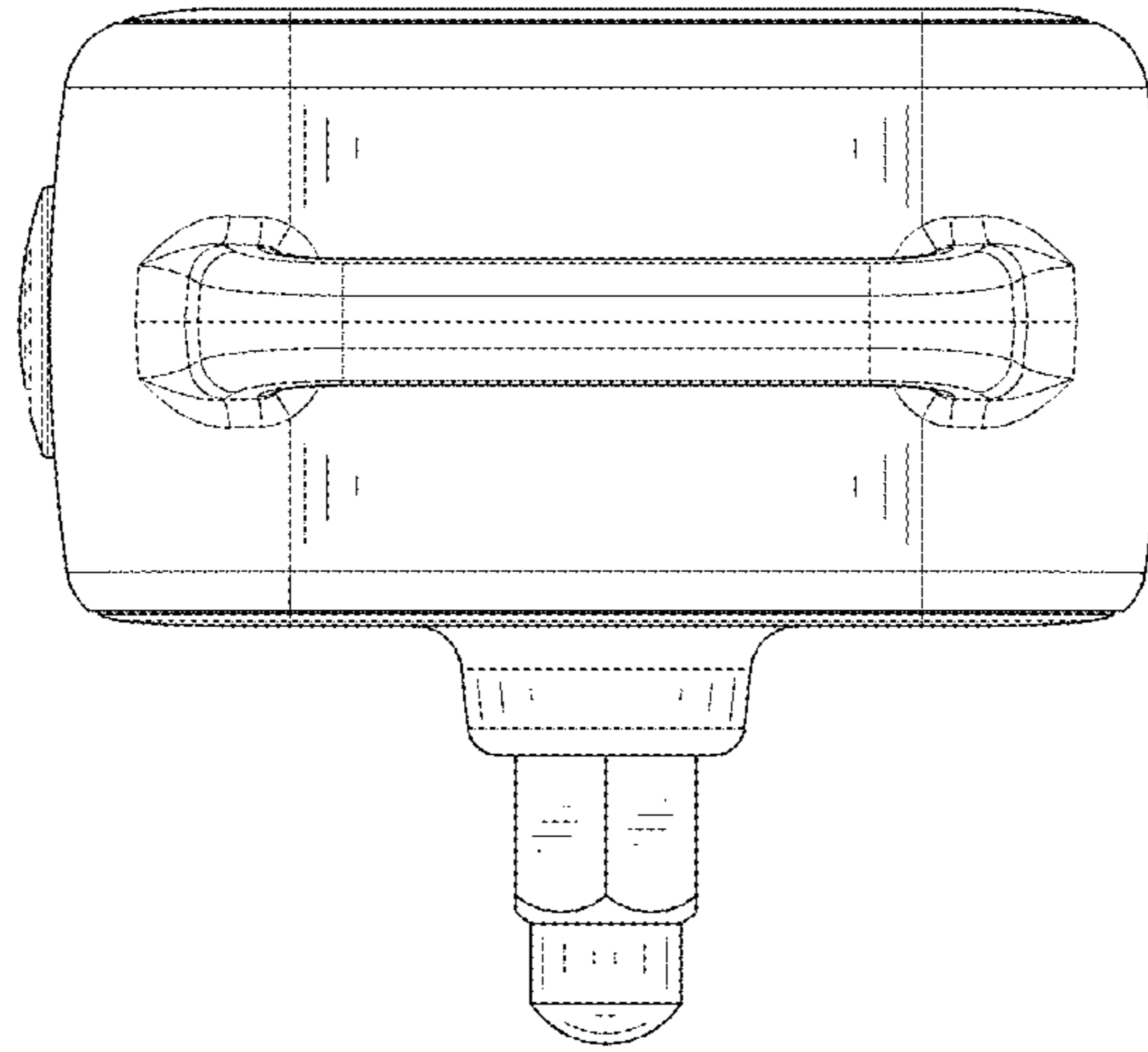


FIG. 6

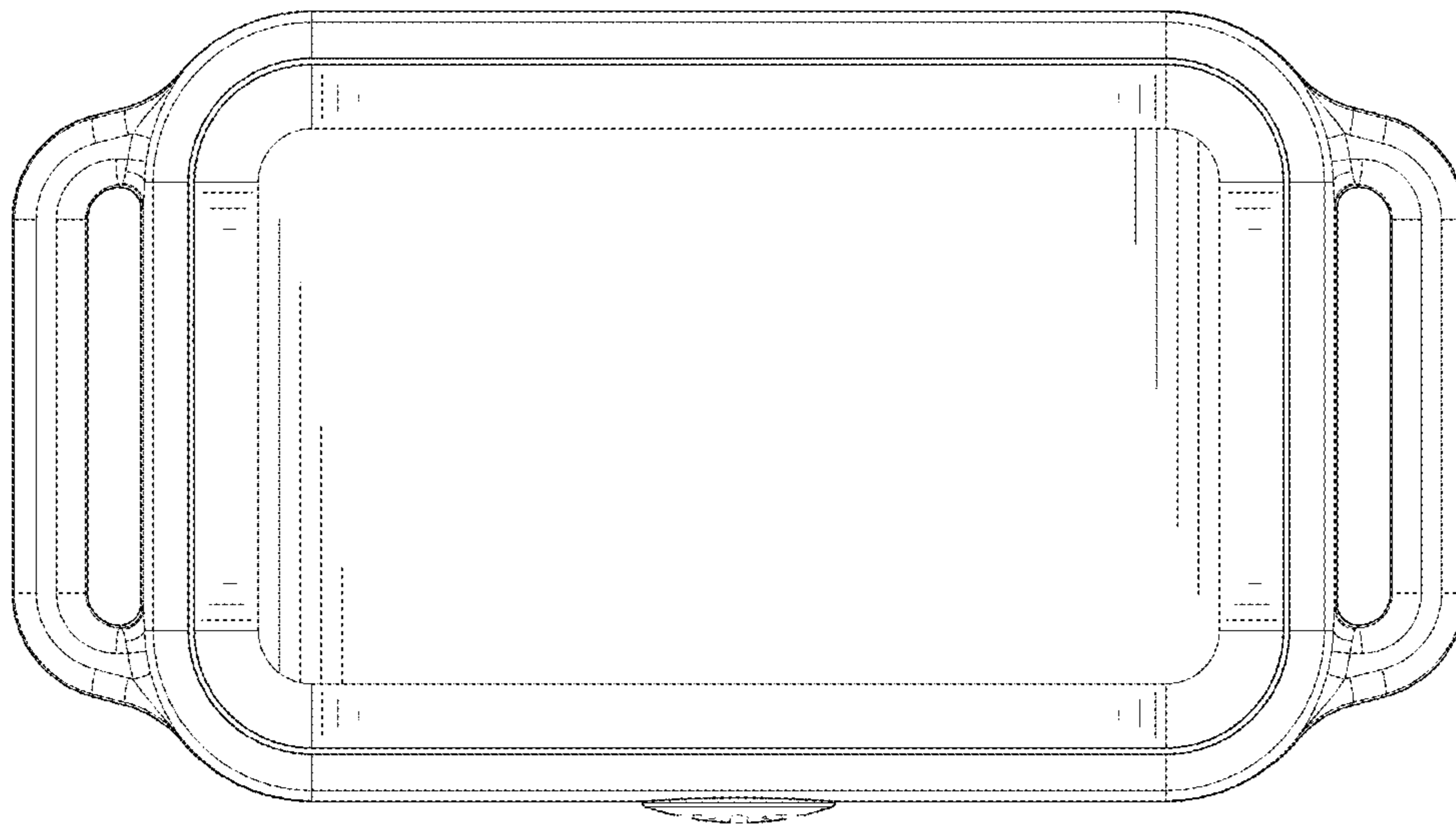


FIG. 7

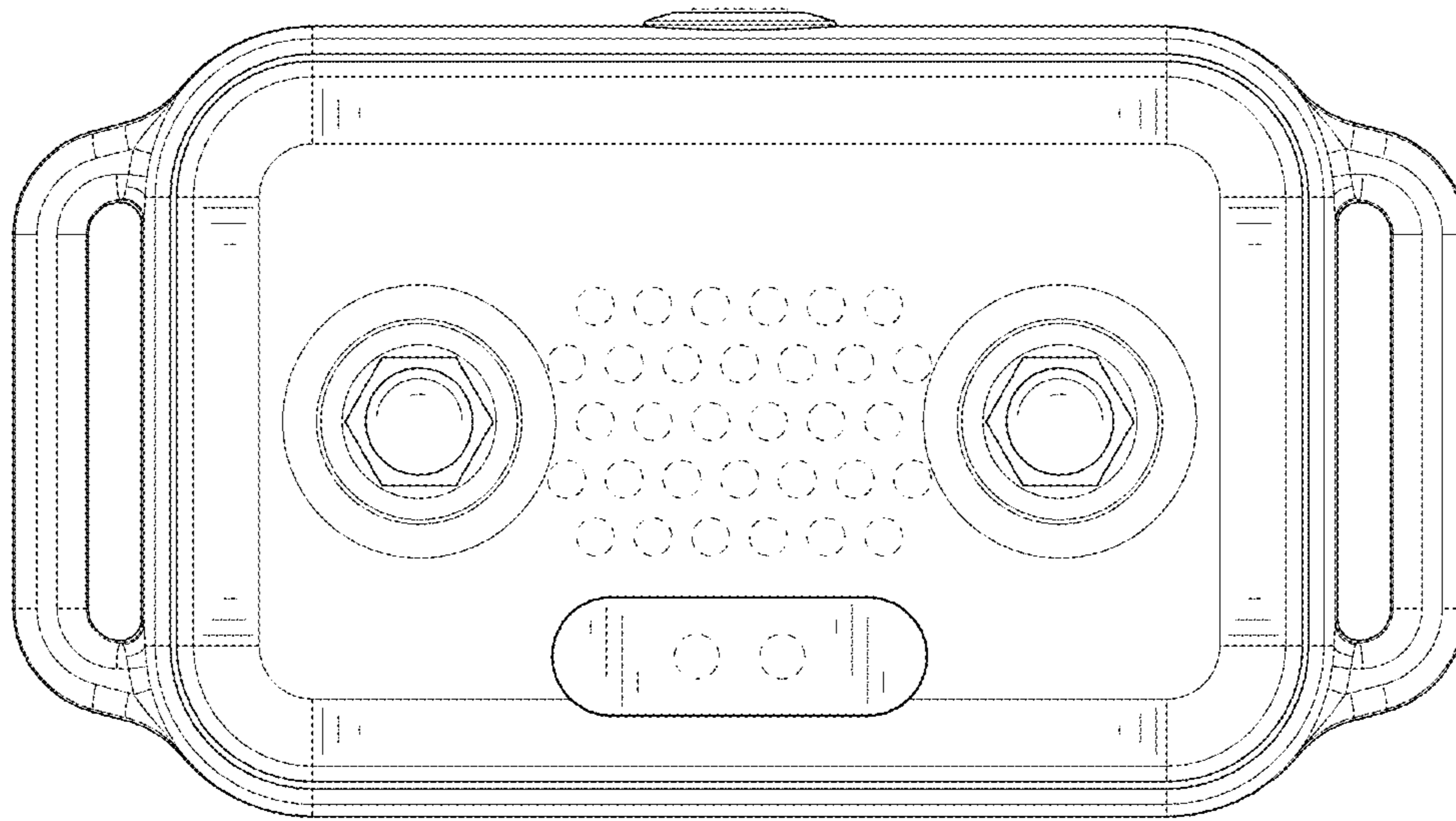


FIG. 8

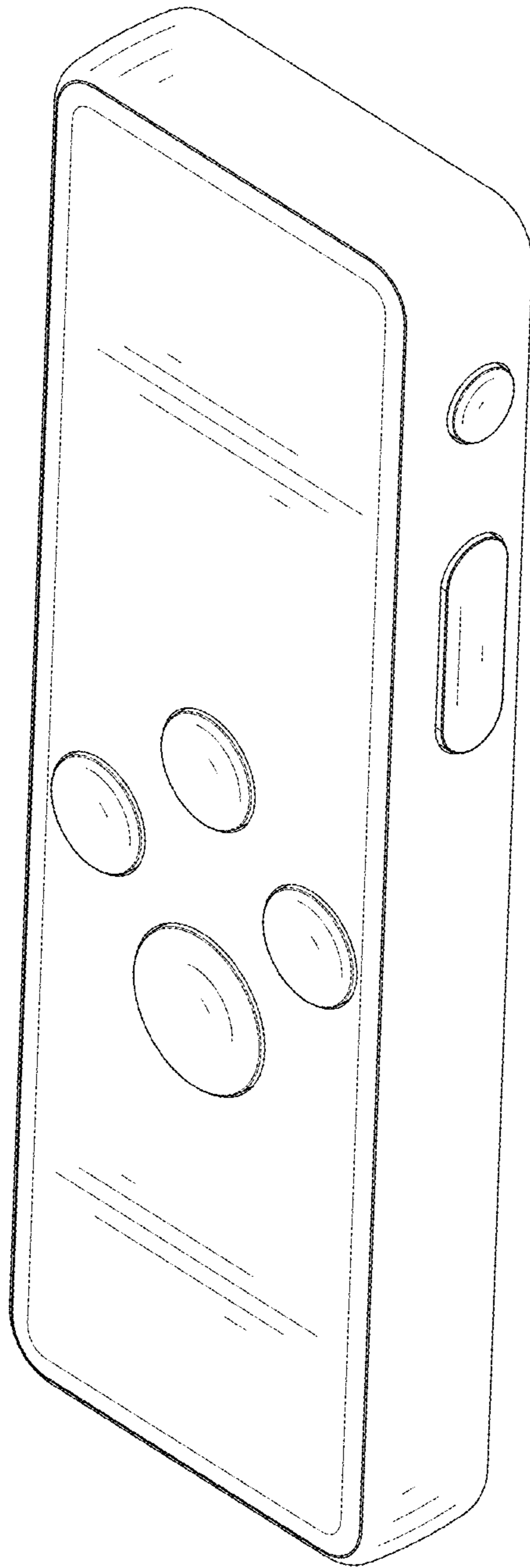


FIG. 9

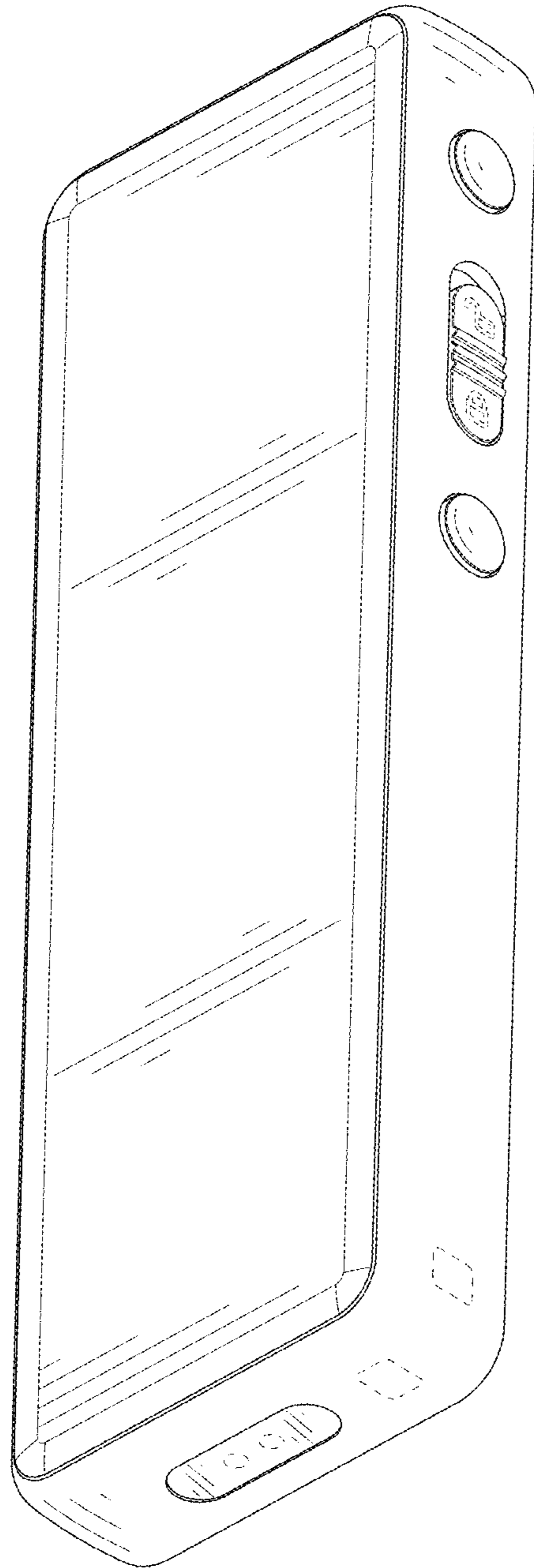


FIG. 10

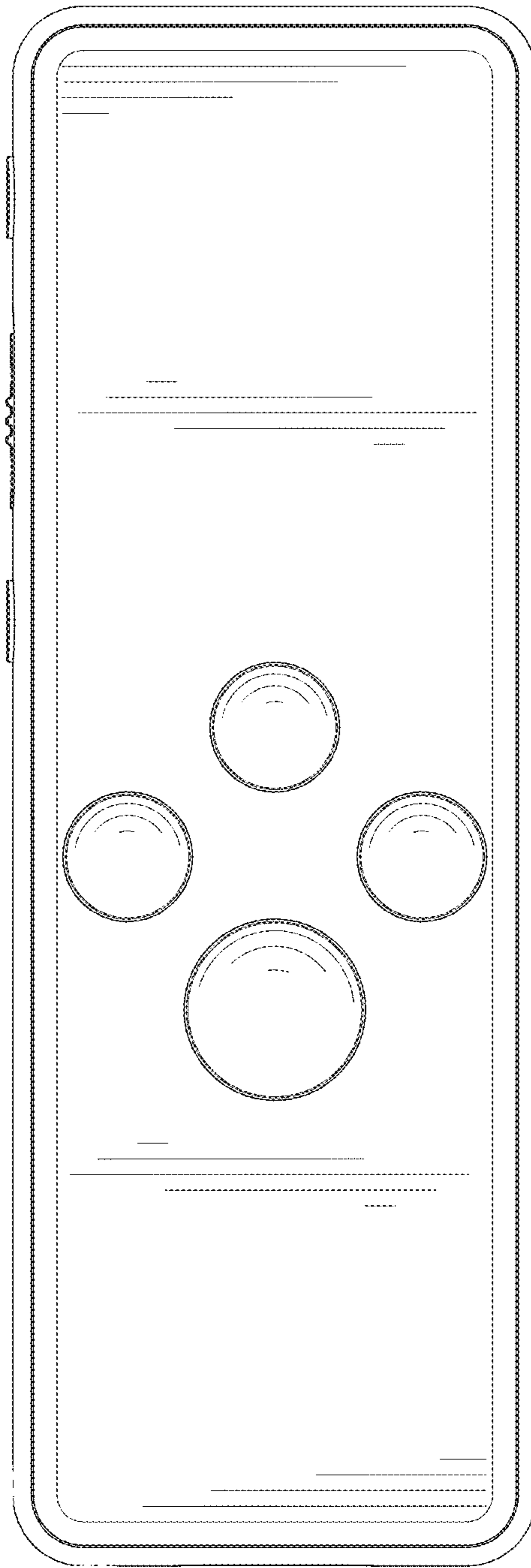


FIG. 11

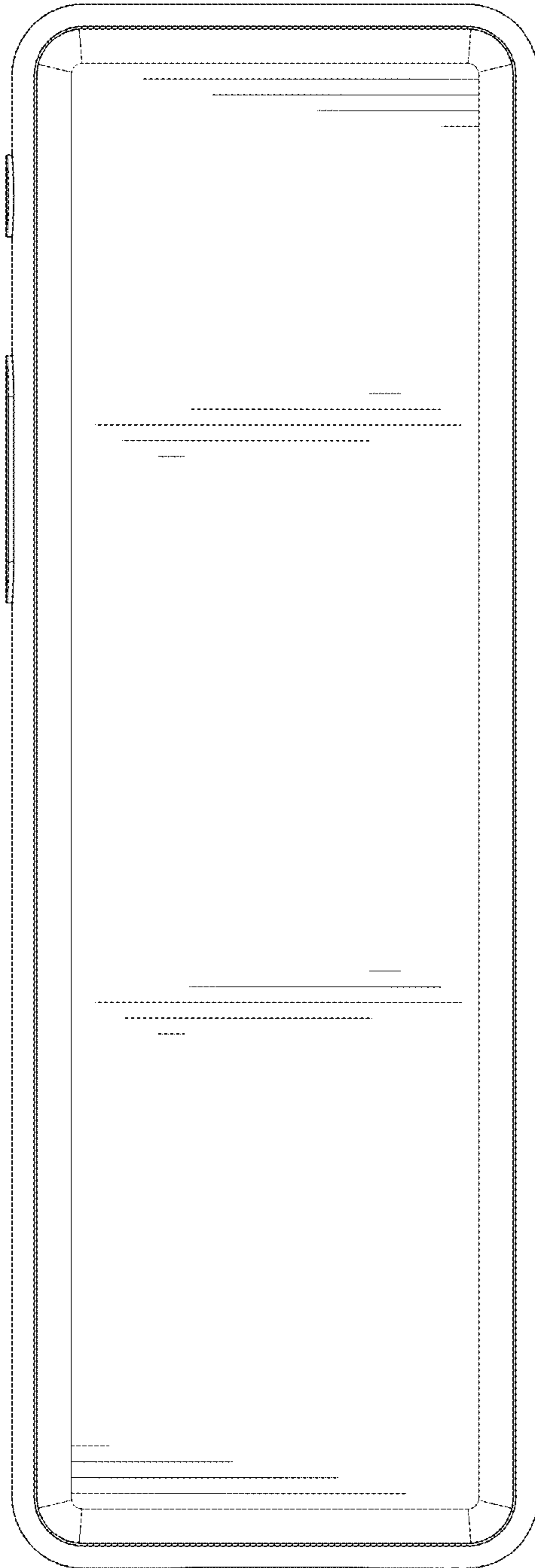


FIG. 12

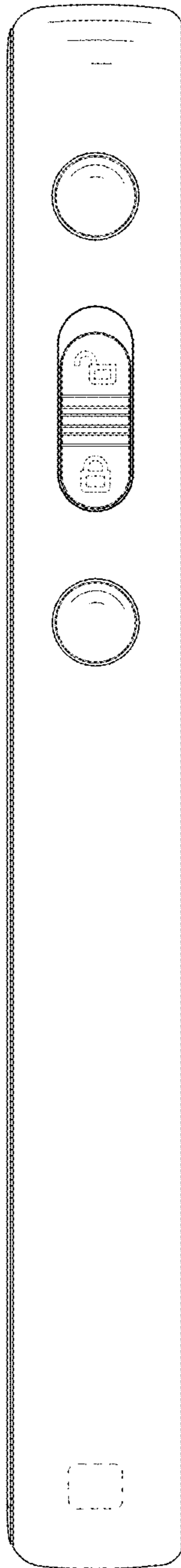


FIG. 13

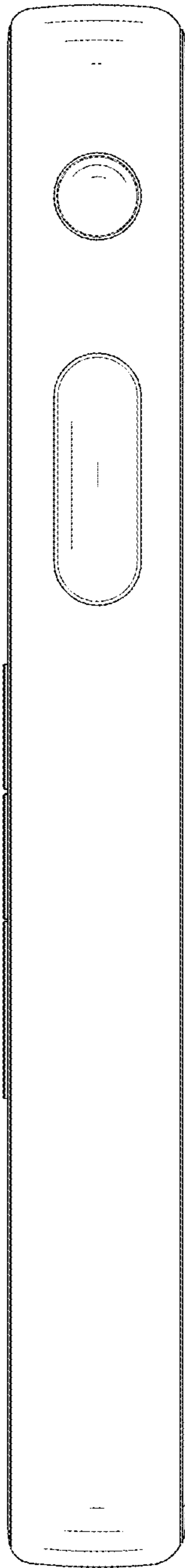


FIG. 14



FIG. 15

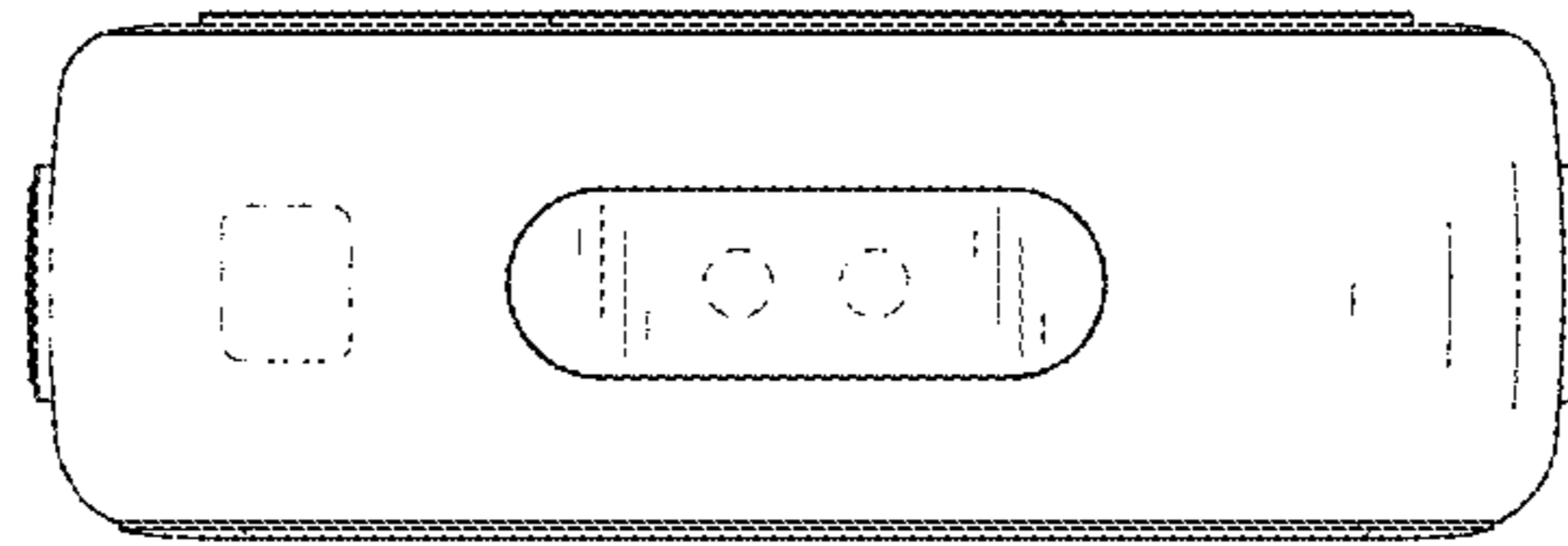


FIG. 16

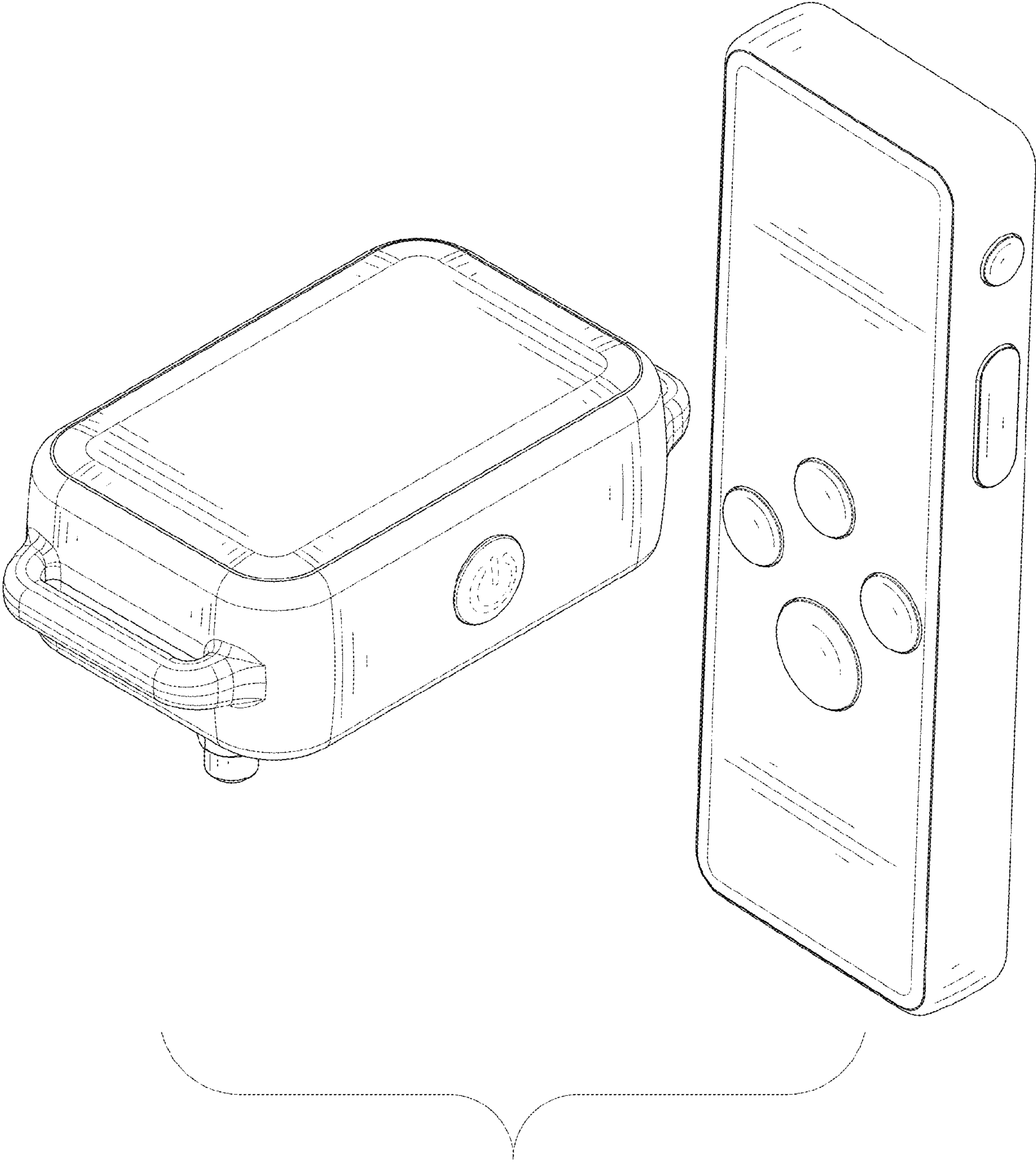


FIG. 17