



US00D985860S

(12) **United States Design Patent** (10) **Patent No.:** **US D985,860 S**
Malkut (45) **Date of Patent:** **** May 9, 2023**

(54) **VETERINARY BOOT FOR ANIMAL**
(71) Applicant: **Colorado State University Research Foundation**, Fort Collins, CO (US)
(72) Inventor: **Natalie M. Malkut**, Loveland, CO (US)
(73) Assignee: **COLORADO STATE UNIVERSITY RESEARCH FOUNDATION**, Fort Collins, CO (US)

6,546,704 B1 * 4/2003 Fisher A01K 13/007
54/82
D560,317 S * 1/2008 Townshend D30/146
8,369,924 B1 2/2013 Chang
D905,939 S * 12/2020 Nikolov D2/909
D917,796 S * 4/2021 Harlow D30/146
(Continued)

(**) Term: **15 Years**

(21) Appl. No.: **29/704,283**

(22) Filed: **Sep. 3, 2019**

Related U.S. Application Data

(63) Continuation of application No. 16/547,338, filed on Aug. 21, 2019, now Pat. No. 11,497,446.

(51) **LOC (14) Cl.** **30-01**

(52) **U.S. Cl.**
USPC **D30/146**

(58) **Field of Classification Search**
USPC D30/144, 145, 146, 147, 148, 150, 151, D30/199; D2/626, 829, 860, 897, 902, D2/909, 914, 919, 943, 947, 980; D24/188, 189, 192; D21/387; D9/650
CPC A01K 13/007; A01K 13/006; A01L 3/02; A01L 5/00; A01L 1/02
See application file for complete search history.

(56) **References Cited**

U.S. PATENT DOCUMENTS

3,508,544 A * 4/1970 Moore A61F 13/069
2/24
5,495,828 A * 3/1996 Solomon A01K 13/007
36/111
D375,586 S * 11/1996 Caditz D30/146
D450,913 S * 11/2001 Banik D2/903

OTHER PUBLICATIONS

“Healers: Medical Dog Bootie and Gauze Insert”. Found online Jul. 26, 2021 at amazon.com. Reference dated Sep. 5, 2011. Retrieved from <https://www.amazon.com/Healers-Petcare-Medical-Bootie-Single/dp/B00A3PH1LS/>.*

(Continued)

Primary Examiner — Kendra Leslie Hamilton
(74) *Attorney, Agent, or Firm* — Polsinelli PC

(57) **CLAIM**

The ornamental design for a veterinary boot for animal, as shown and described.

DESCRIPTION

FIG. 1 is a front side perspective view of a veterinary boot for animal showing my new design in a condition of use being worn by an animal patient and in a first configuration with a monitoring cable connected to the veterinary boot for animal.

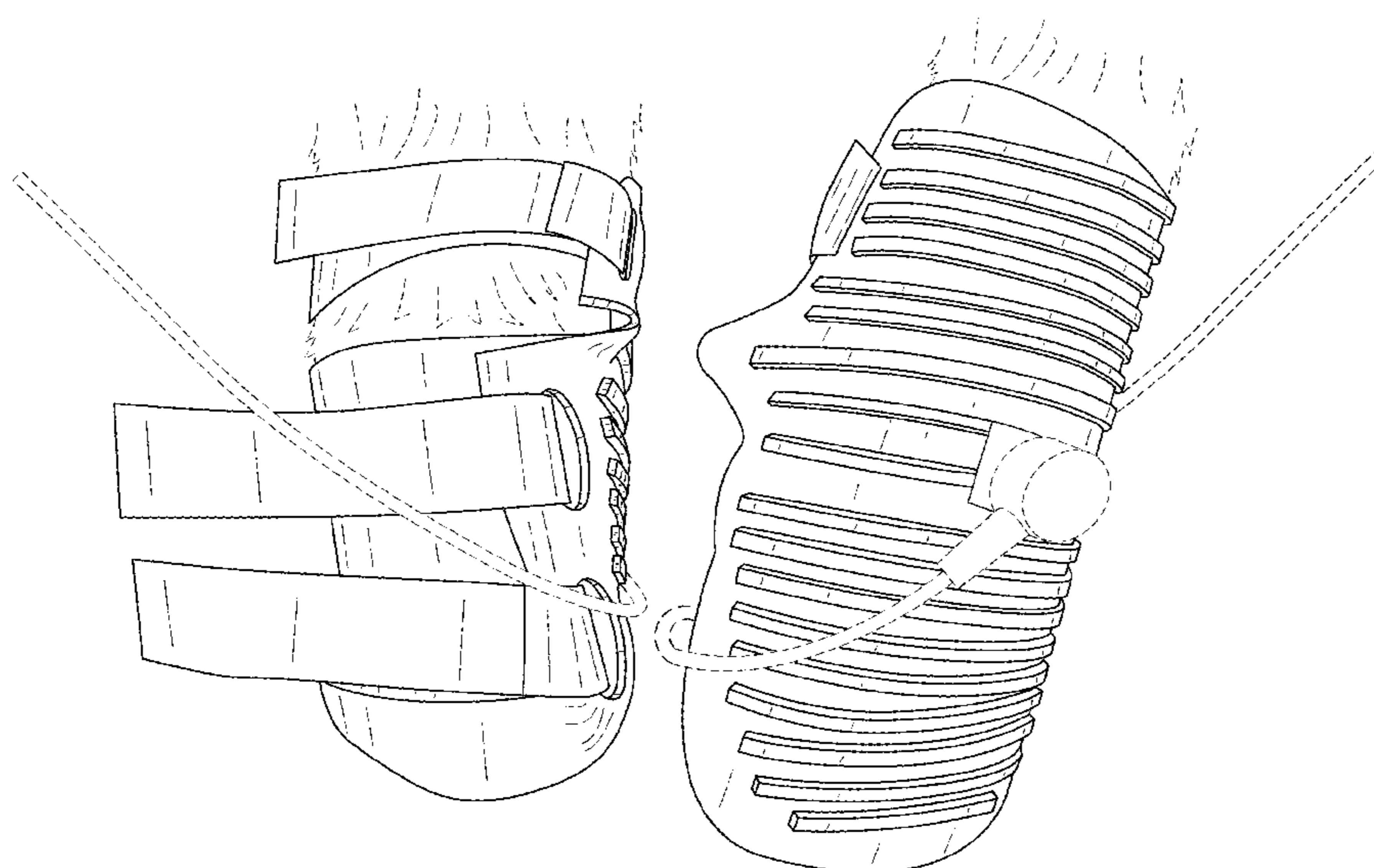
FIG. 2 is a front perspective view of the veterinary boot for animal shown in a second configuration without the monitoring cable.

FIG. 3 is a back side perspective view of the veterinary boot for animal shown in the first configuration and in the condition of use; and,

FIG. 4 is a back perspective view of the veterinary boot for animal shown in the second configuration.

The broken lines shown in the Figures depict environment that form no part of the claimed design.

1 Claim, 4 Drawing Sheets



(56)

References Cited

U.S. PATENT DOCUMENTS

2007/0074677 A1* 4/2007 Behme A01K 13/007
119/850
2011/0201985 A1* 8/2011 Entler A61D 9/00
602/62
2016/0106066 A1* 4/2016 Montgomery A01K 13/007
36/111
2016/0143250 A1* 5/2016 Bobko B29D 35/02
168/1
2019/0159728 A1 5/2019 Pritchard et al.
2020/0163602 A1 5/2020 Pareddy et al.
2020/0196572 A1* 6/2020 Oh A01K 13/007

OTHER PUBLICATIONS

“Thera-Paw: Pet Boot”. Found online Jun. 6, 2016 at therapaw.com. Reference dated Jan. 2, 2010. Retrieved from <http://www.therapaw.com/thera-pawboots.aspx>.*

“Medipaw: Rugged Boot”. Found online Jul. 26, 2021 at facebook.com. Reference dated Aug. 1, 2017. Retrieved from <https://www.facebook.com/MedipawProducts/photos/a.729143213890543/884683865003143/?type=3>.*

“Ultra Paws: Wound Boot”. Found online Apr. 18, 2018 at amazon.com. Reference dated Nov. 19, 2012. Retrieved from <https://www.amazon.com/Ultra-Paws-Wound-Boot-Medium/product-reviews/B004NQKGAQ/>.*

* cited by examiner

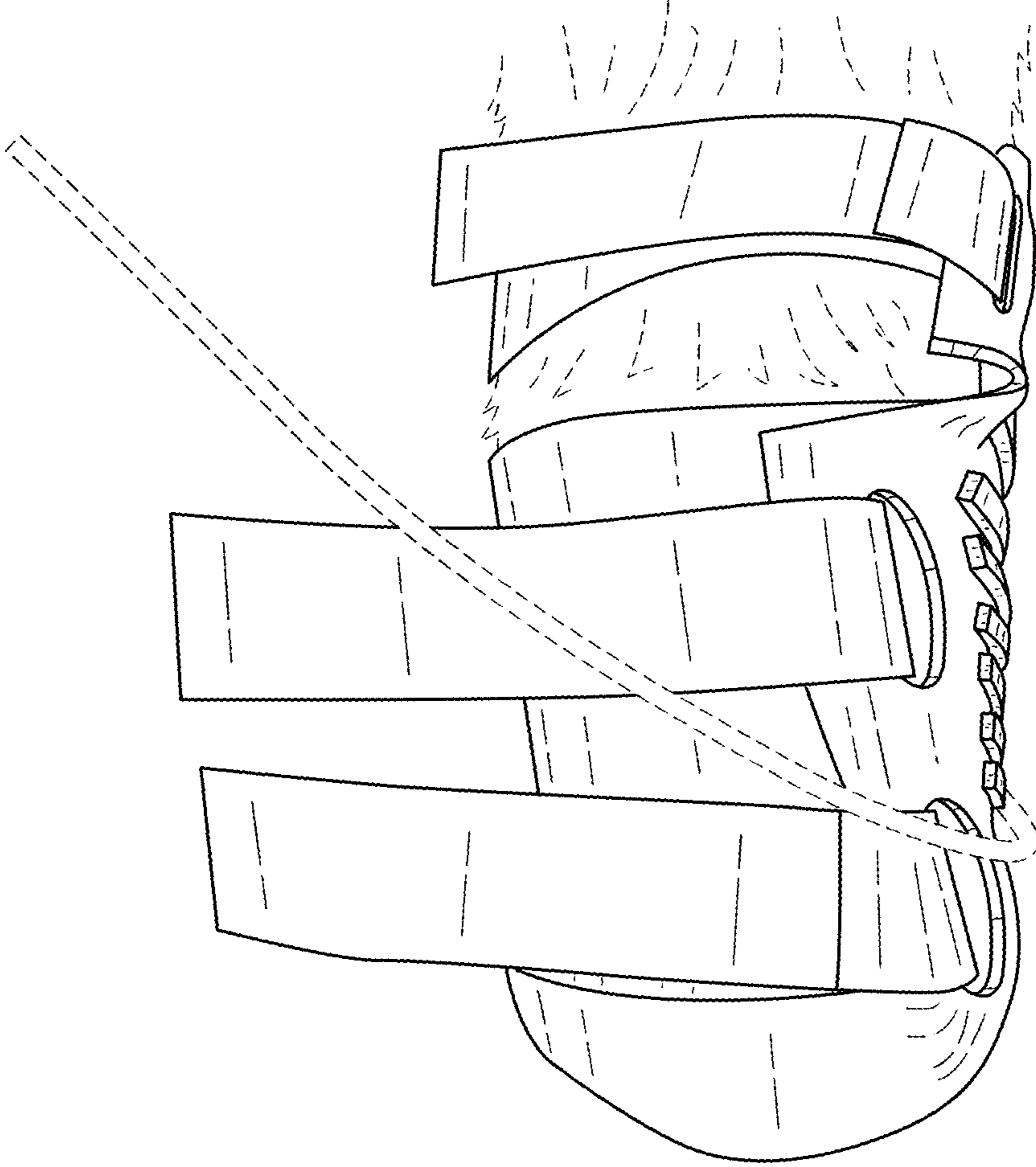


FIG.1

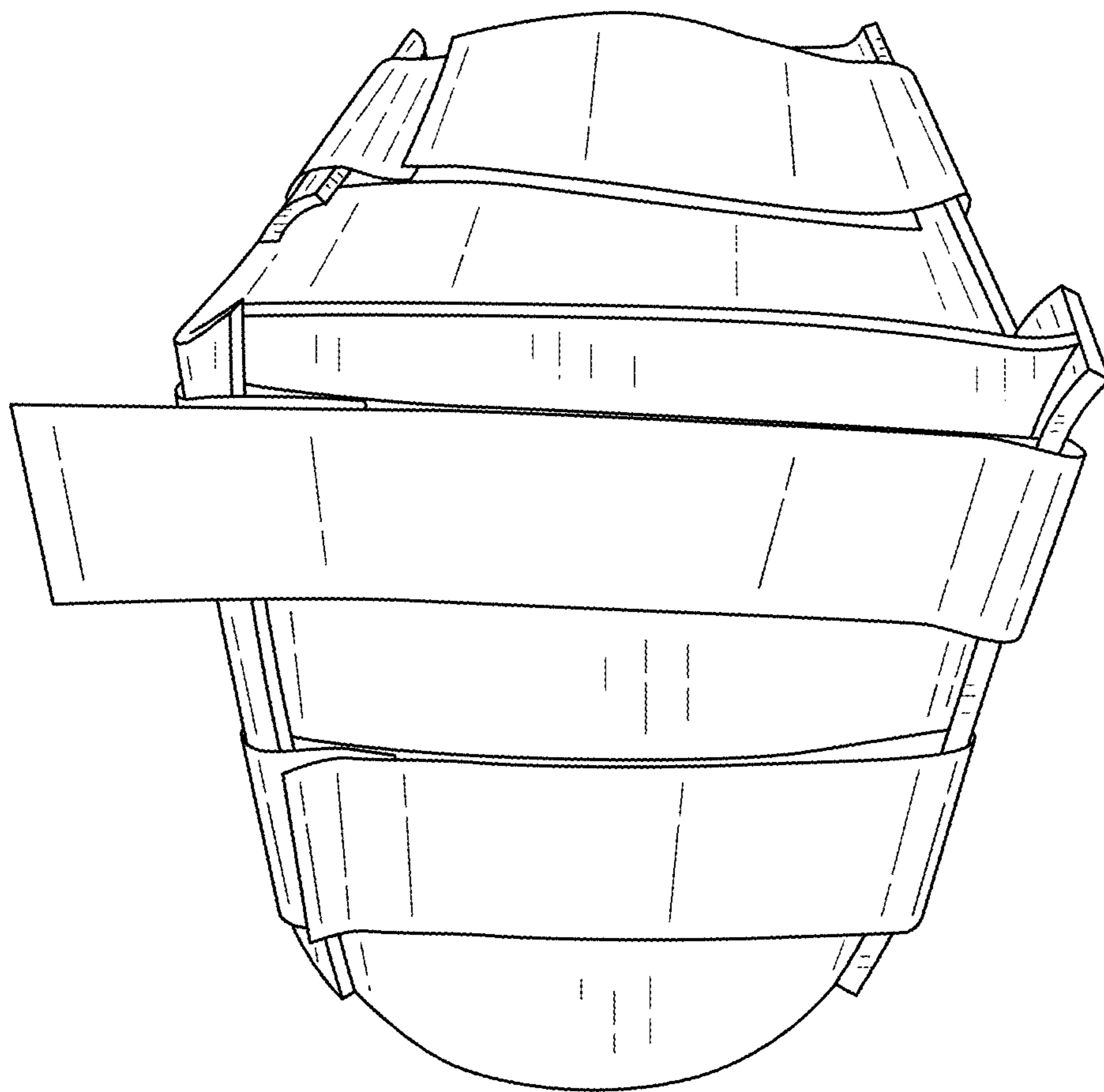


FIG.2

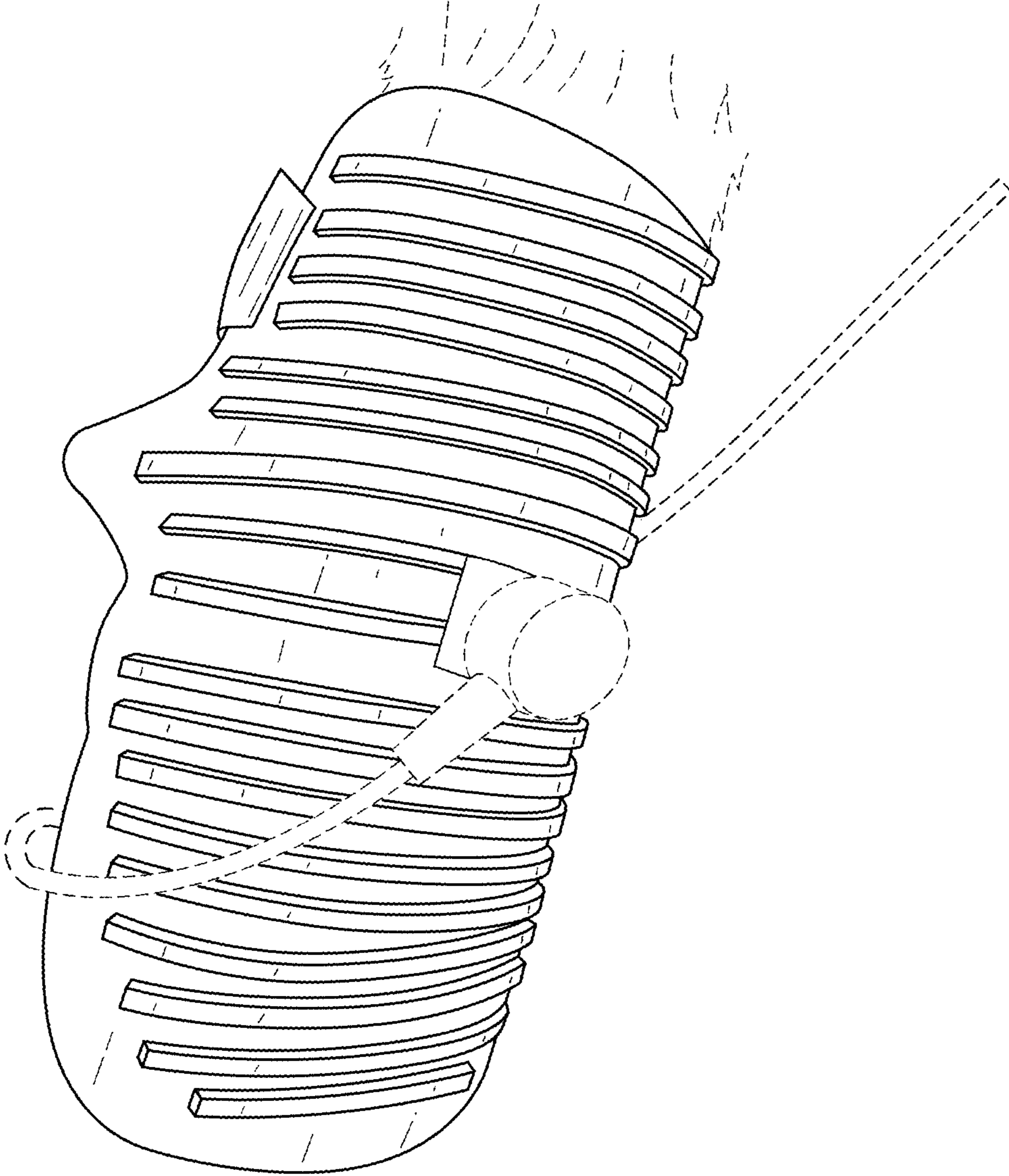


FIG.3

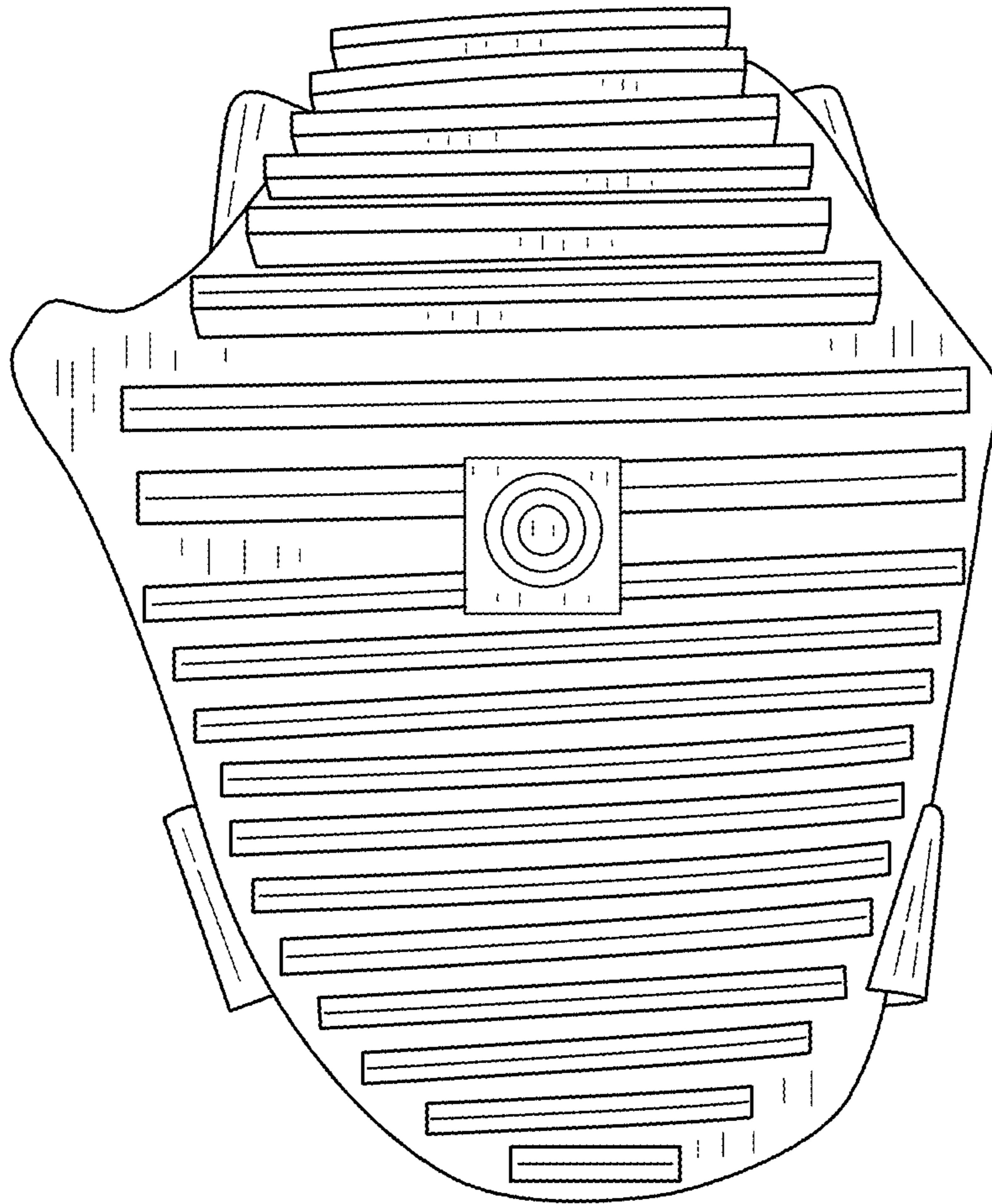


FIG.4