



US00D985859S

(12) **United States Design Patent** (10) **Patent No.:** **US D985,859 S**
Sun (45) **Date of Patent:** **** May 9, 2023**

(54) **PET WATER DISPENSER**
(71) Applicant: **Shenzhen Shouzheng Chuqi Technology Co., Ltd., Shenzhen (CN)**
(72) Inventor: **Mengyi Sun, Shenzhen (CN)**
(**) Term: **15 Years**
(21) Appl. No.: **29/855,035**
(22) Filed: **Sep. 29, 2022**
(51) **LOC (14) Cl.** **30-03**
(52) **U.S. Cl.**
USPC **D30/132**
(58) **Field of Classification Search**
USPC D30/110, 114, 115, 116, 121, 122, 124, D30/125, 127, 128, 129, 130, 131, 132, D30/133; D21/340
CPC A01K 5/0114; A01K 5/0121; A01K 5/02; A01K 5/0291; A01K 5/025; A01K 5/0266; A01K 5/0275; A01K 5/0283; A01K 5/0258; A01K 5/0142; A01K 5/0233; A01K 29/00; A01K 7/00; A01K 7/02; A01K 7/06; A01K 7/04; A01K 7/005; A01K 7/022; A01K 7/025; A01K 7/027; A01K 5/0216; A01K 39/02; G01F 11/24; G01F 23/02; B67D 1/0425; B67D 1/04; B67D 1/00; B67D 1/02; B67D 1/0871; B67D 1/0802; A47J 41/0033; A47J 41/005; A47J 41/0088; A47J 41/0094; A47J 41/04; A47J 41/053; B05B 11/00; B05B 11/0002; B05B 11/0005; B05B 11/001; B05B 17/08; B05B 17/085; C02F 1/003; C02F 1/283; C02F 2307/02; F04B 23/00; F04B 23/02; F04B 23/021; F04B 23/026; B01D 35/30; Y10T 137/86035; Y10T 137/8376; Y10T 137/85954-85978
See application file for complete search history.

D894,500 S * 8/2020 Cui D30/132
D912,333 S * 3/2021 Wang D30/132
D912,910 S 3/2021 Xue
D936,912 S * 11/2021 Huang D30/132
D945,085 S 3/2022 Tao
D945,715 S * 3/2022 Wang D30/132
D965,233 S * 9/2022 Gong D30/132
(Continued)

OTHER PUBLICATIONS

Tomxcute Cat Water Fountain. Tomxcute, amazon.com (online) 13 pages. Posted Aug. 27, 2021. [Retrieved Nov. 28, 2022] <https://a.co/d/3ol2Xsm> (Year: 2021).*

(Continued)

Primary Examiner — Kathleen L Jones
Assistant Examiner — Cole Sanders Holman
(74) *Attorney, Agent, or Firm* — Daniel M. Cohn; Howard M. Cohn

(57) **CLAIM**

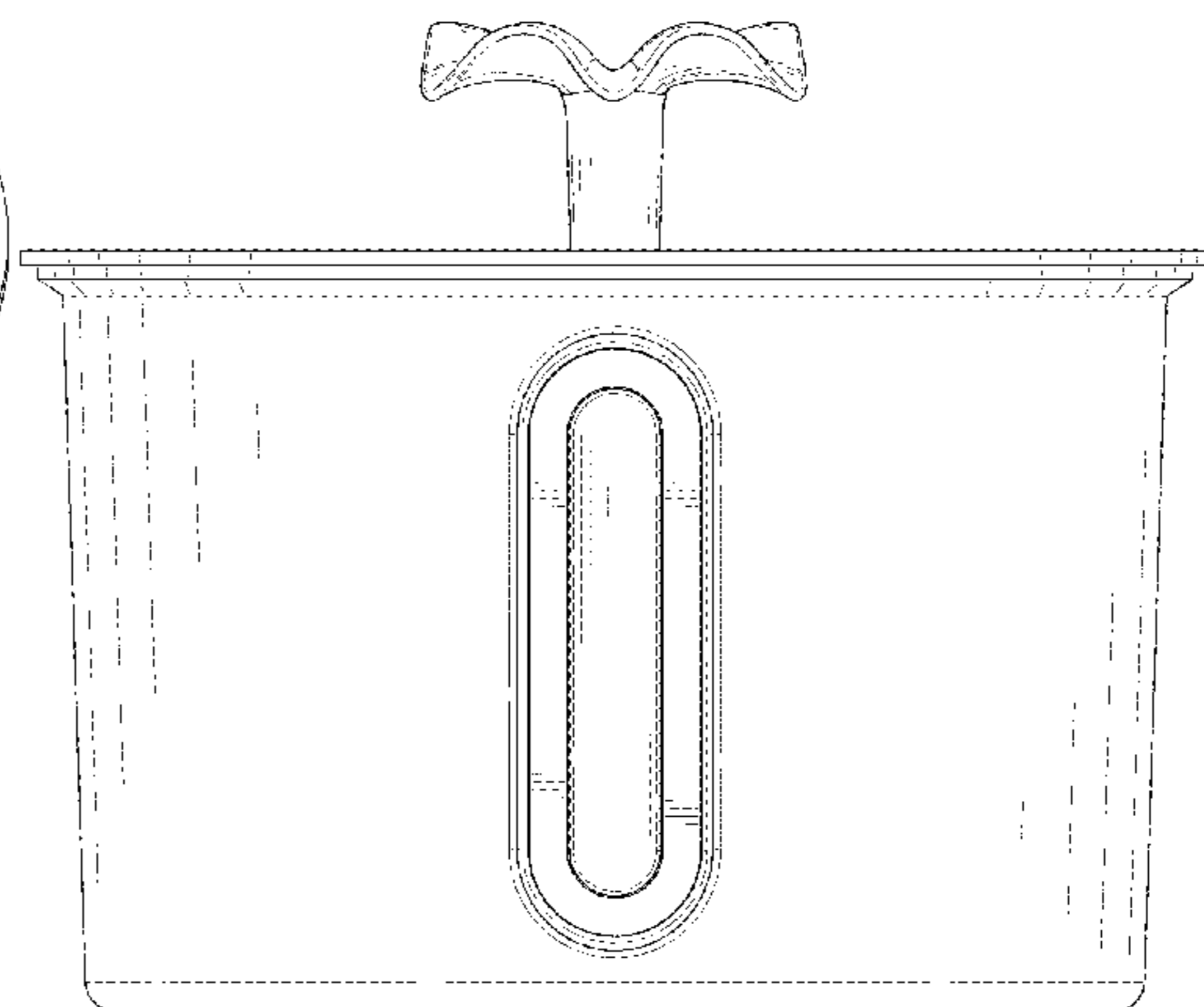
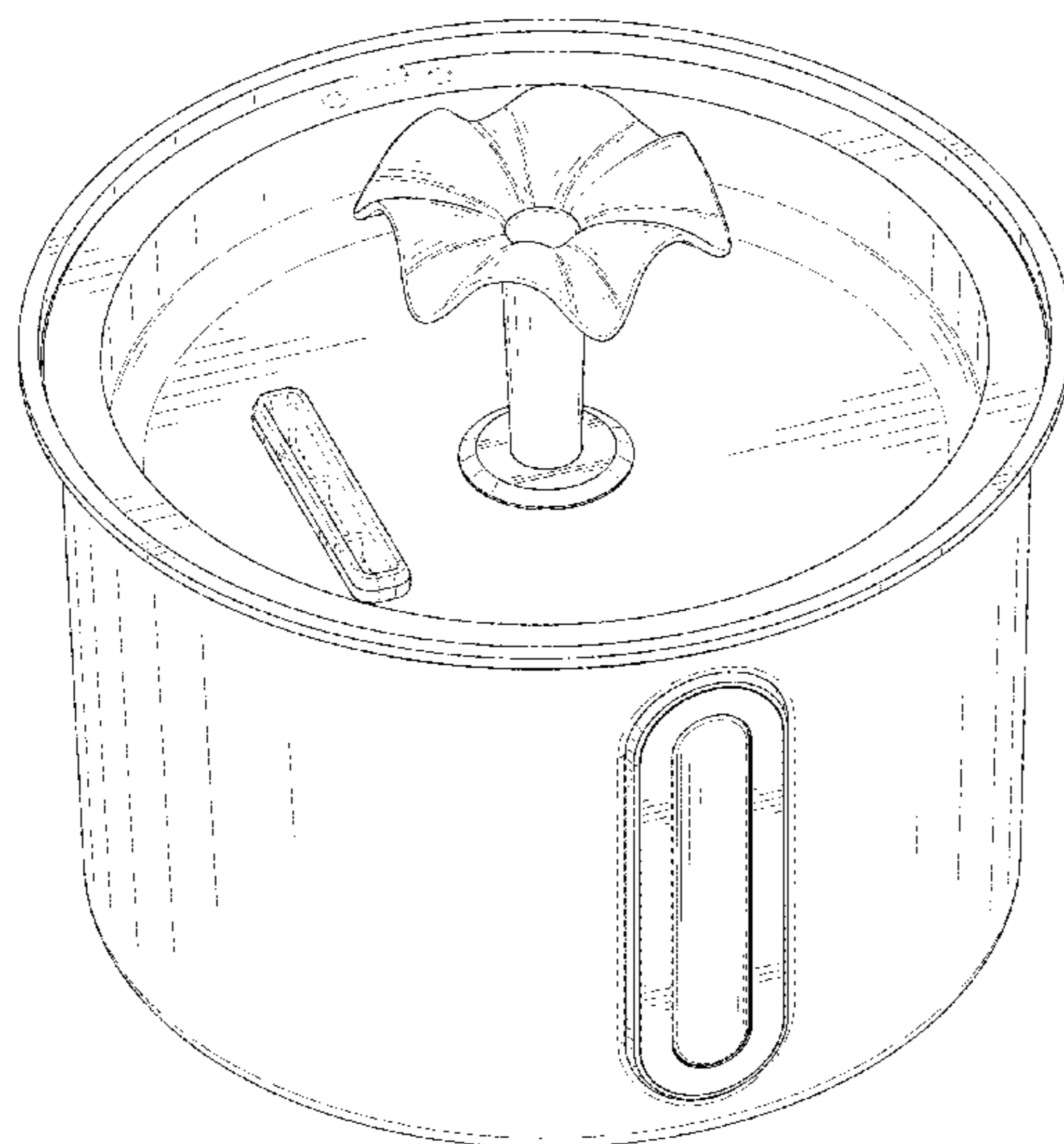
The ornamental design for a pet water dispenser, as shown and described.

DESCRIPTION

FIG. 1 is a perspective view of a pet water dispenser showing my new design;
FIG. 2 is another perspective view thereof;
FIG. 3 is a front elevational view thereof;
FIG. 4 is a rear elevational view thereof;
FIG. 5 is a left side elevational view thereof;
FIG. 6 is a right side elevational view thereof;
FIG. 7 is a top plan view thereof; and,
FIG. 8 is a bottom plan view thereof.
The dash-dash broken lines in the drawings depict portions of the pet water dispenser that form no part of the claimed design.

1 Claim, 8 Drawing Sheets

(56) **References Cited**
U.S. PATENT DOCUMENTS
D820,533 S * 6/2018 Huang D30/132
10,165,753 B1 * 1/2019 Huang A01K 7/02



(56)

References Cited

U.S. PATENT DOCUMENTS

D965,921 S * 10/2022 Gong D30/132
2021/0144963 A1 * 5/2021 Wang C02F 1/283
2022/0192149 A1 * 6/2022 Tao C02F 1/001

OTHER PUBLICATIONS

Hanaoyo Cat Water Fountain. Hanaoyo, amazon.com (online) 10 pages. Posted Jul. 22, 2022. [Retrieved Nov. 28, 2022] <https://a.co/d/2MduqUY> (Year: 2022).*

AmzArts Cat Water Fountain. AmzArts, amazon.com (online) 10 pages. Posted Oct. 14, 2022. [Retrieved Nov. 28, 2022] <https://a.co/d/hVBHJQY> (Year: 2022).*

Comsmart Cat Water Fountain. Comsmart, amazon.com (online) 12 pages. Posted May 31, 2019. [Retrieved Nov. 28, 2022] <https://a.co/d/8ZYA9f8> (Year: 2019).*

Youthink Pet Fountain Cat Water Dispenser. youthink, amazon.com (online) 12 pages. Posted Jun. 5, 2017. [Retrieved Nov. 28, 2022] <https://a.co/d/03zSOmJ> (Year: 2017).*

Tebalo Cat Water Fountain. Tebalo, amazon.com (online) 13 pages. Posted May 6, 2021. [Retrieved Nov. 28, 2022] <https://a.co/d/32Apc56> (Year: 2021).*

* cited by examiner

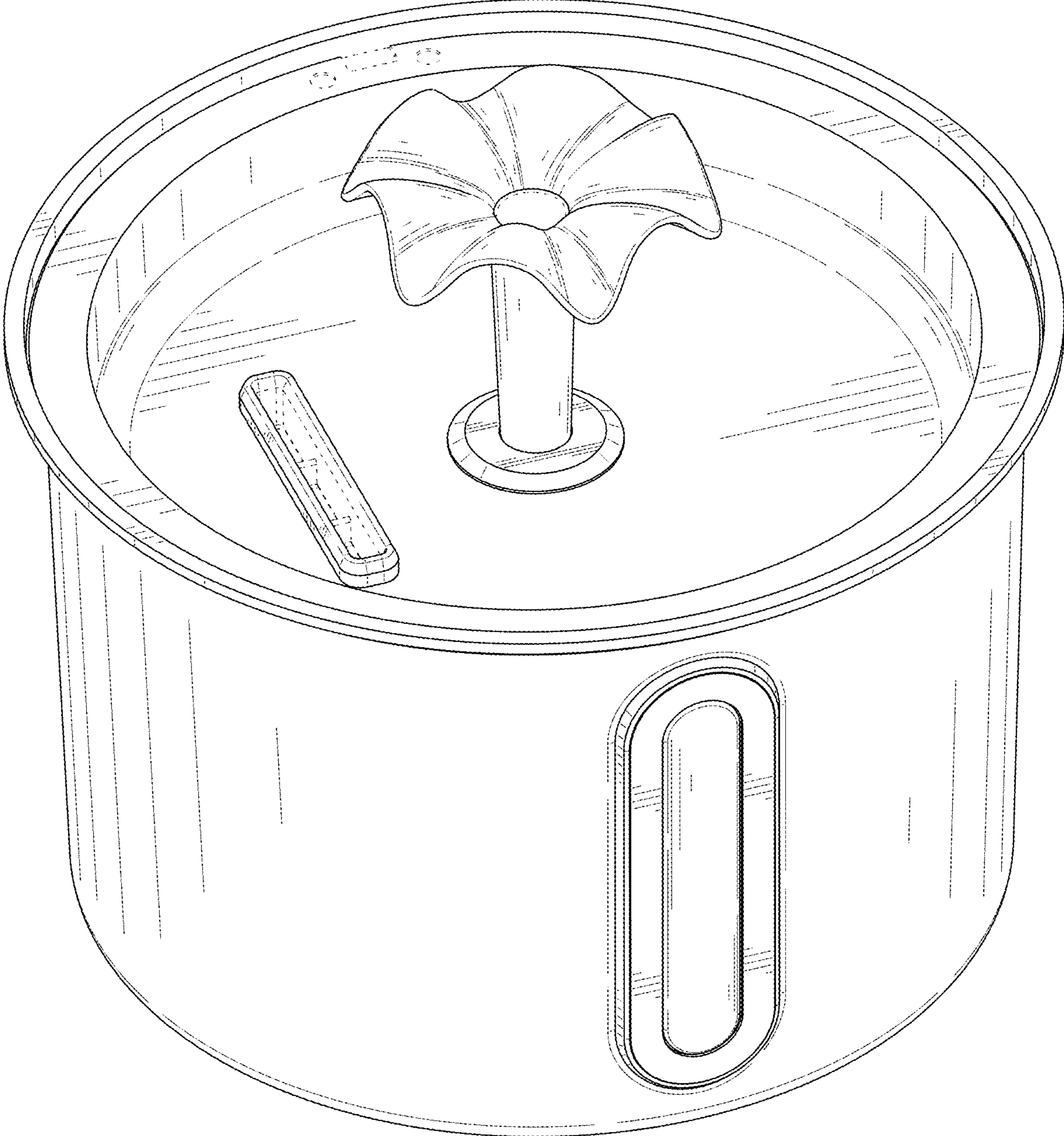


FIG. 1

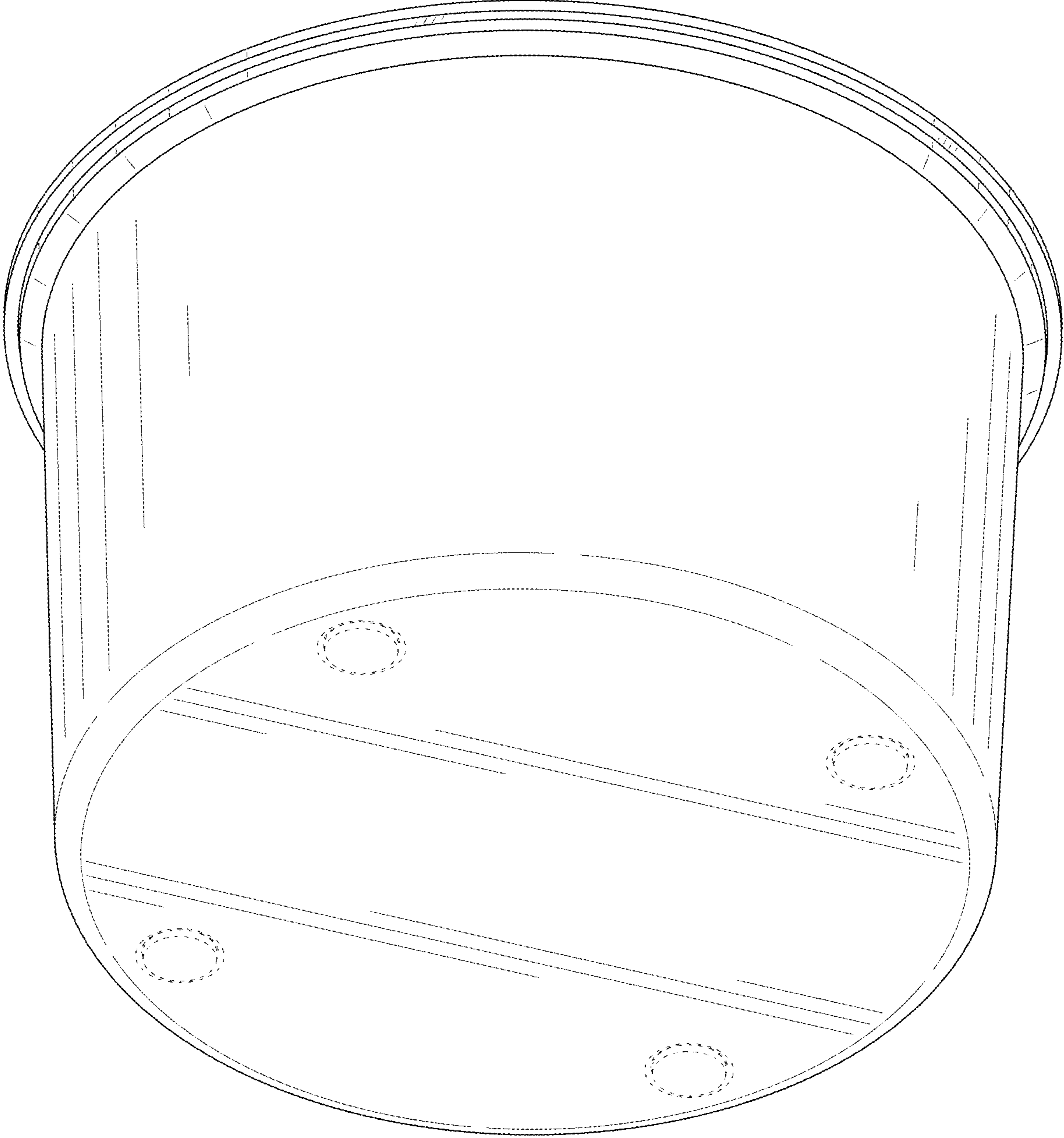


FIG. 2

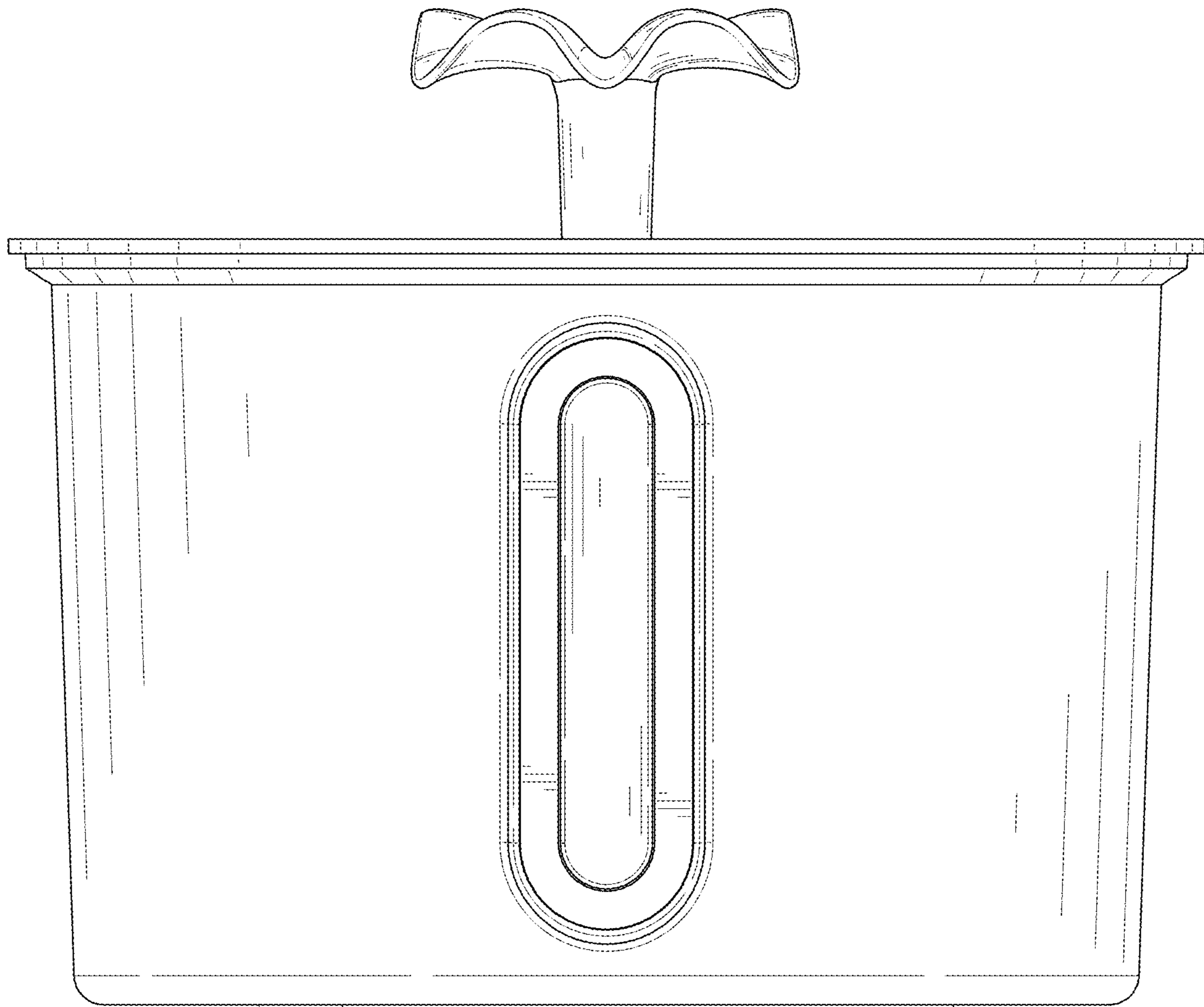


FIG. 3

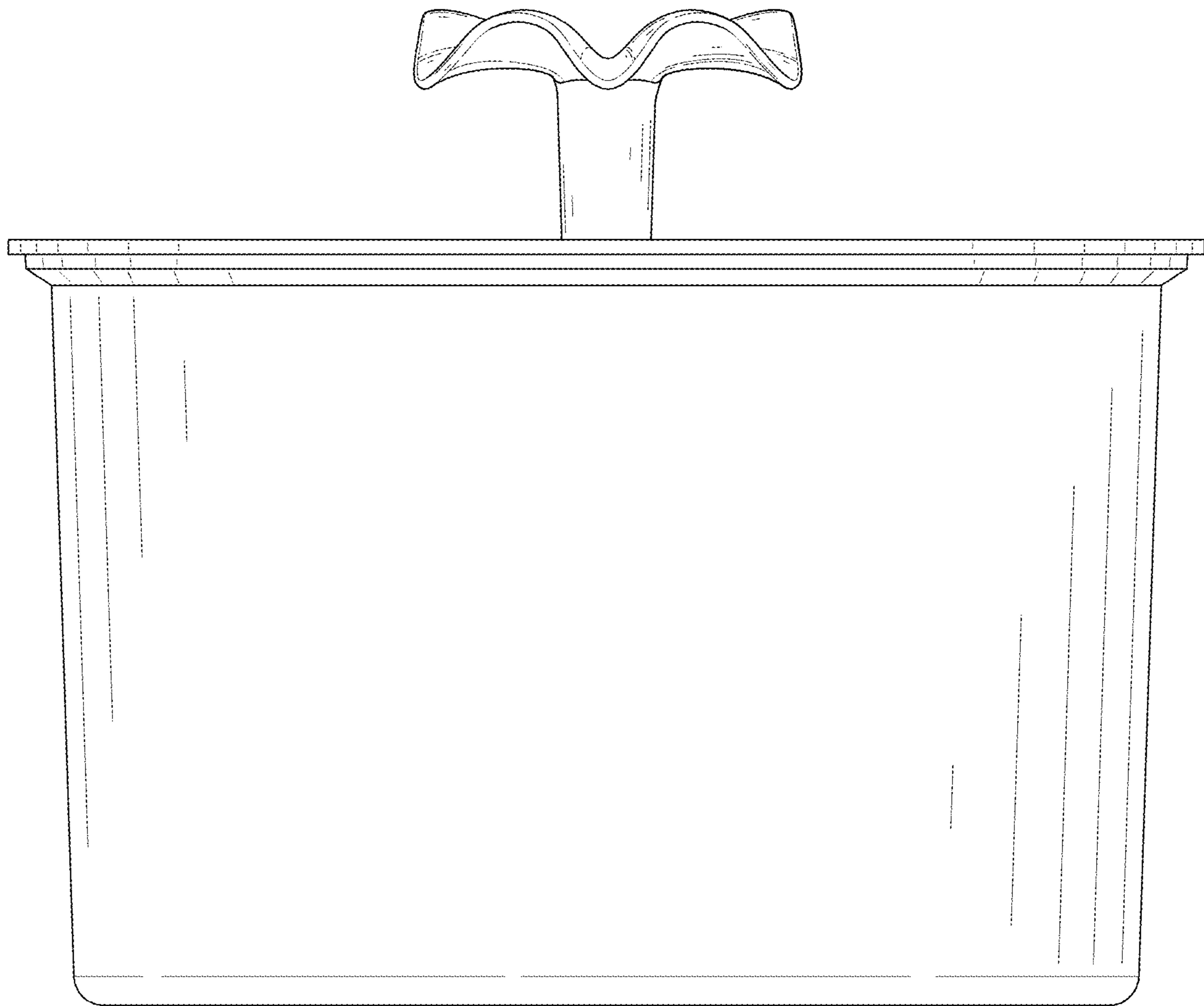


FIG. 4

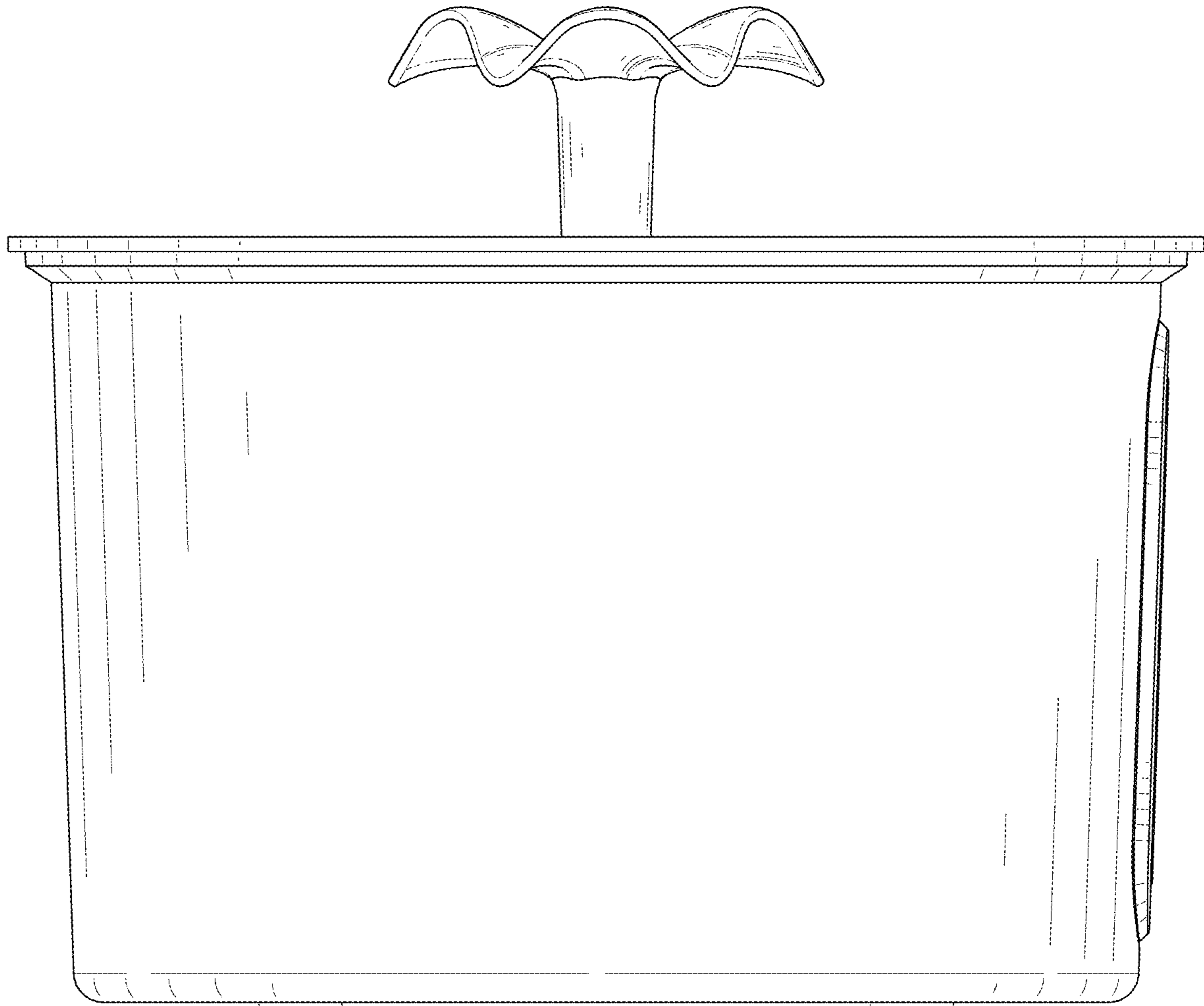


FIG. 5

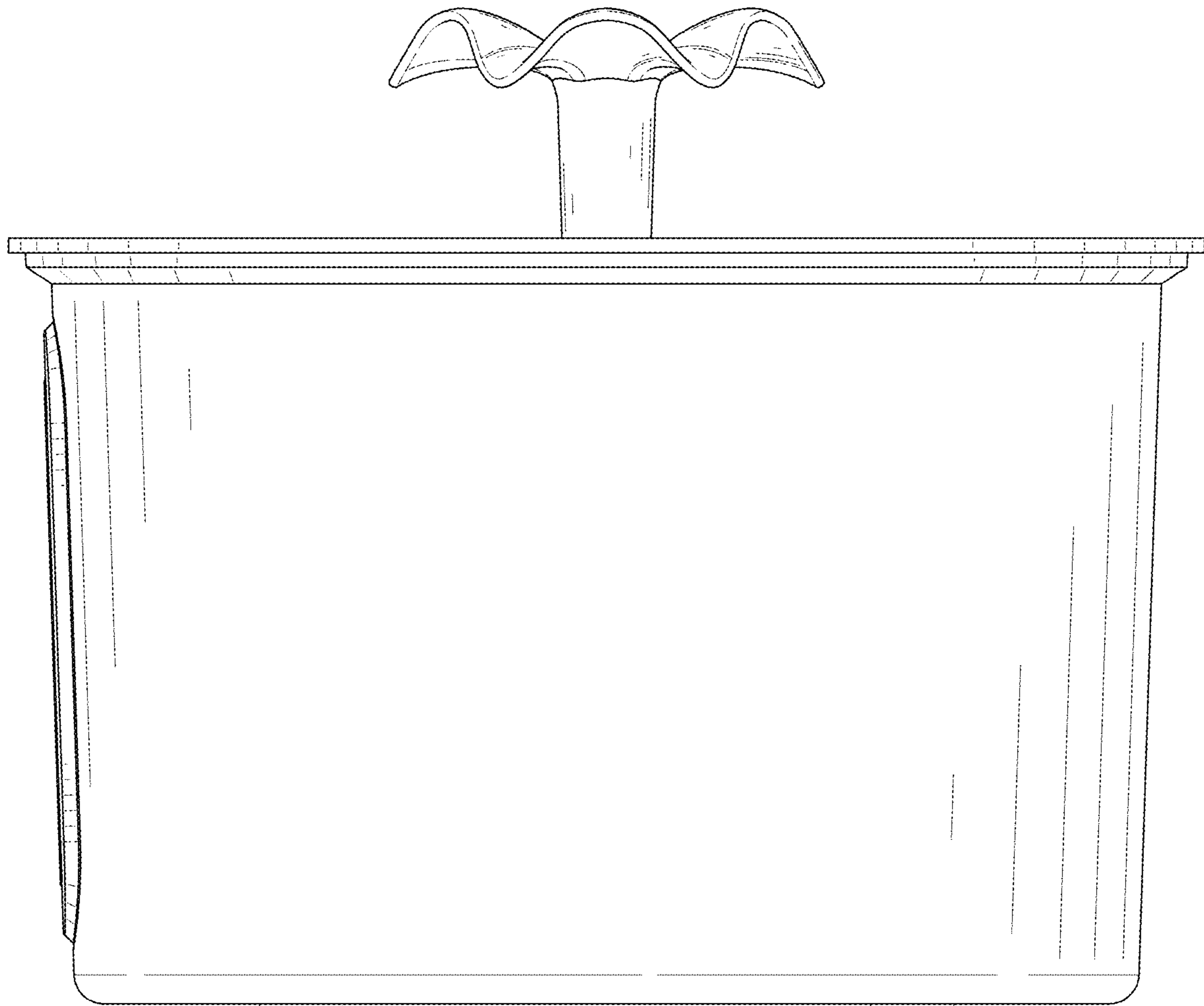


FIG. 6

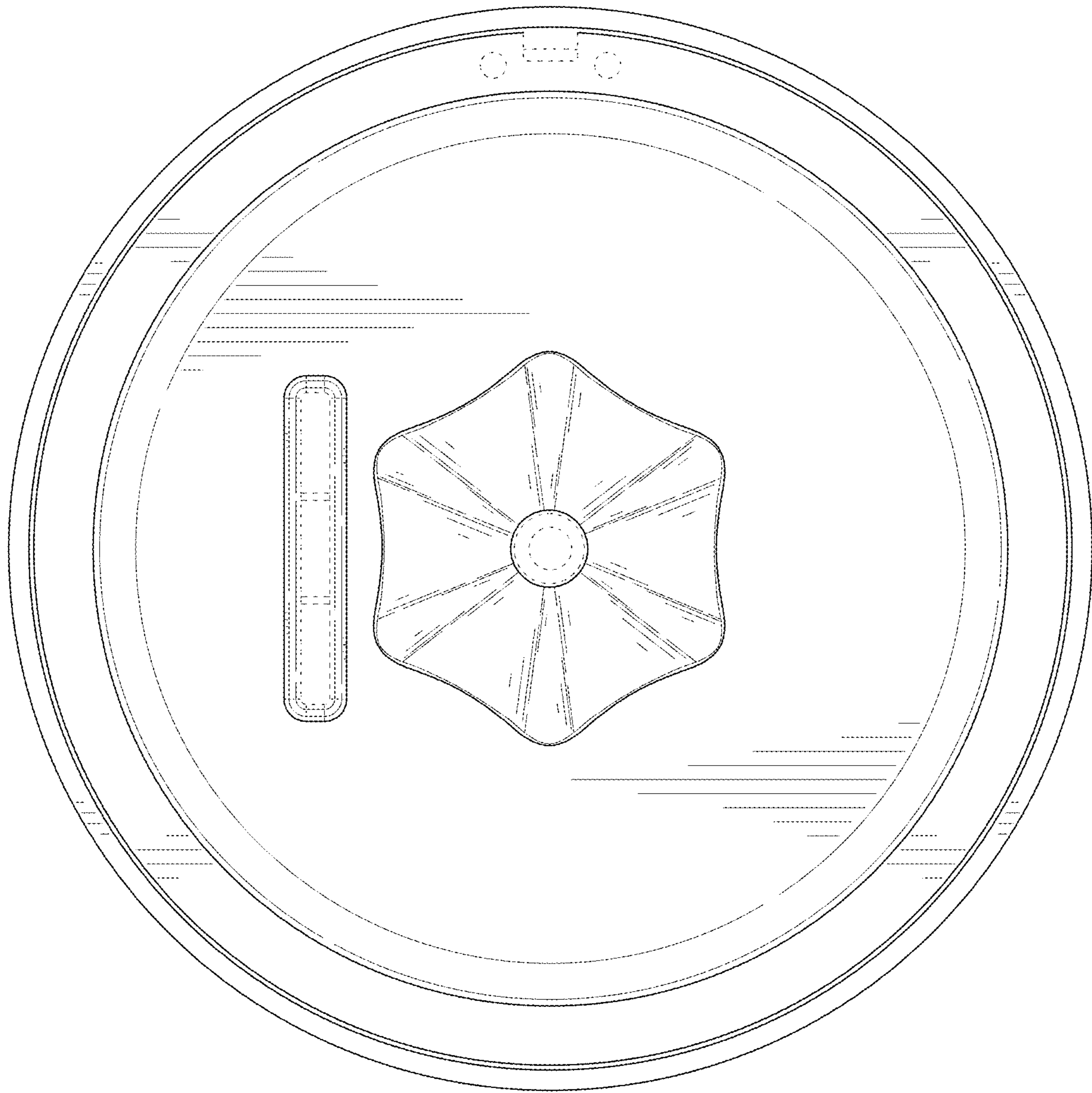


FIG. 7

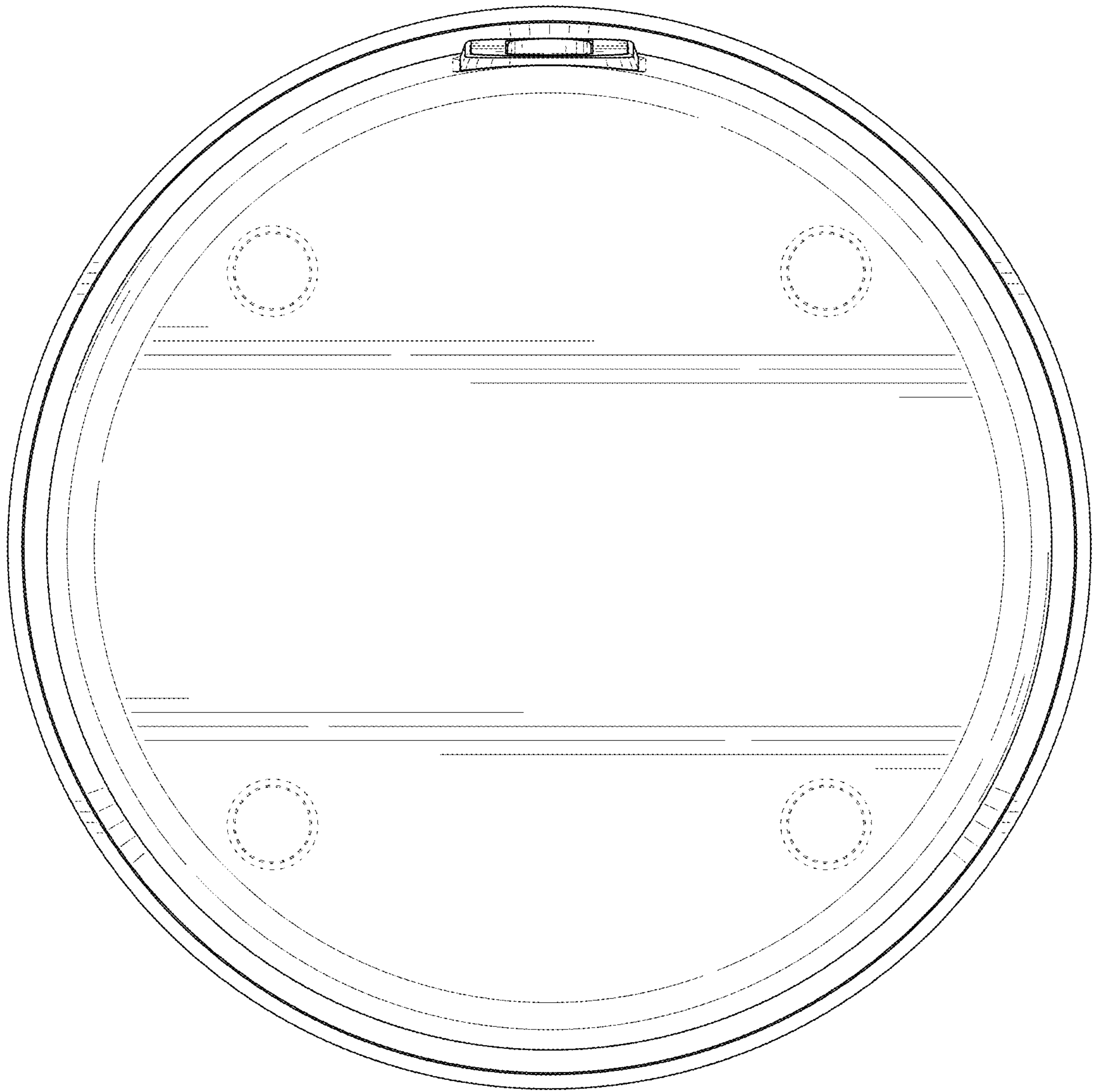


FIG. 8