



US00D985858S

(12) **United States Design Patent**
Peng

(10) **Patent No.:** **US D985,858 S**

(45) **Date of Patent:** **** May 9, 2023**

- (54) **WATER DISPENSER**
- (71) Applicant: **Taizhou Huangyan Mengsheng Technology Co., Ltd., Taizhou (CN)**
- (72) Inventor: **Weiyong Peng, Taizhou (CN)**
- (73) Assignee: **Taizhou Huangyan Mengsheng Technology Co., Ltd., Taizhou (CN)**
- (*) Notice: Patent file contains an affidavit/declaration under 37 CFR 1.130(b).
- (**) Term: **15 Years**

- 8,336,493 B1 * 12/2012 Weber A01K 5/0114
119/52.1
 - D751,774 S * 3/2016 Allen A01K 5/0114
D30/122
 - D786,084 S * 5/2017 Kachar A01K 7/02
D9/549
 - D840,115 S * 2/2019 Nieves A01K 5/0114
D30/122
 - D846,815 S * 4/2019 Darkwah A01K 5/0114
D30/132
 - D875,324 S * 2/2020 Gevaert D30/121
 - D882,881 S * 4/2020 Gevaert A01K 7/02
D30/121
 - D885,686 S * 5/2020 Chen D30/122
- (Continued)

- (21) Appl. No.: **29/787,128**
- (22) Filed: **Jun. 4, 2021**
- (51) **LOC (14) Cl.** **30-07**
- (52) **U.S. Cl.**
USPC **D30/122; D30/132**
- (58) **Field of Classification Search**
USPC D8/1-2; D9/738, 763, 764; D23/202,
D23/207, 211.1, 211.2; D30/121-133
CPC .. A01K 5/0114; A01K 5/0121; A01K 5/0135;
A01K 7/005; A01K 7/00; A01K 39/02;
F04B 23/00; F04B 23/02; Y10T
137/86035; Y10T 137/8376
See application file for complete search history.

OTHER PUBLICATIONS

Sfozstra Feeder Aug. 30, 2020 found on Jan. 10, 2021 at <https://www.amazon.com/Sfozstra-Automatic-Feeder-Dispenser-Waterer/dp/B08KG3VZ6P/> (Year: 2020).*

Primary Examiner — Jennifer Rivard
Assistant Examiner — Jonathan E Fiencke

(57) **CLAIM**

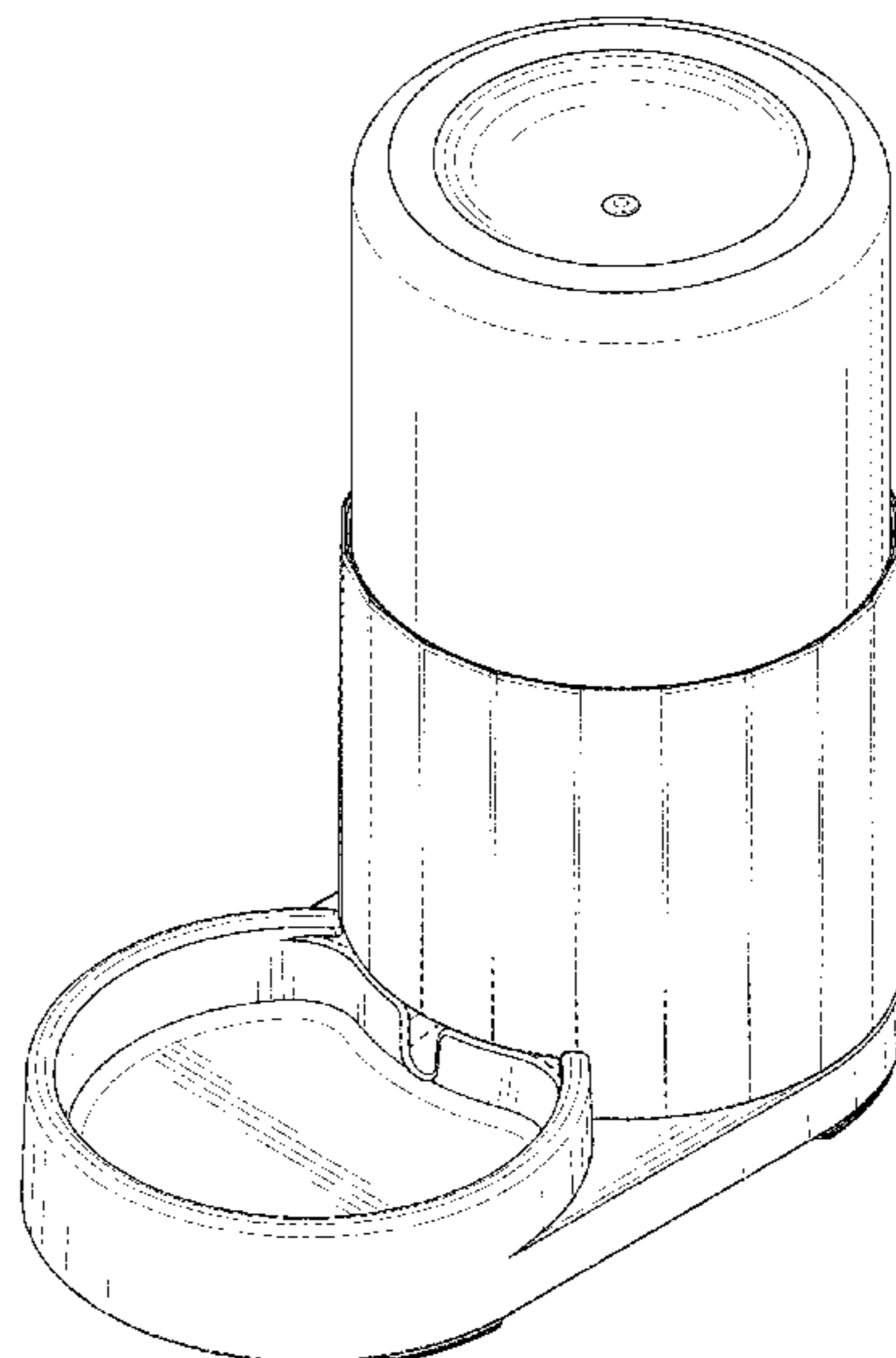
The ornamental design for a water dispenser, as shown and described.

DESCRIPTION

FIG. 1 is a top, front, right perspective view of a water dispenser showing my new design;
FIG. 2 is a front view thereof;
FIG. 3 is a rear view thereof;
FIG. 4 is a left side view thereof;
FIG. 5 is a right side view thereof;
FIG. 6 is a top plan view thereof; and,
FIG. 7 is a bottom plan view thereof.
The broken lines and unshaded areas within depict portions of the water dispenser that form no part of the claimed design.

- (56) **References Cited**
U.S. PATENT DOCUMENTS
D351,689 S * 10/1994 VanSkiver D30/121
5,845,600 A * 12/1998 Mendes A01K 7/02
119/51.5
D406,924 S * 3/1999 Kolozsvari D30/121
D406,926 S * 3/1999 Kolozsvari D30/132
6,477,981 B1 * 11/2002 Harper A01K 5/0114
119/51.01
D504,545 S * 4/2005 Morosin A01K 5/0114
D30/122
D642,335 S * 7/2011 Weber D30/121

1 Claim, 7 Drawing Sheets



(56)

References Cited

U.S. PATENT DOCUMENTS

D939,784 S * 12/2021 Ren A01K 5/0114
D30/122
D942,705 S * 2/2022 Tu D30/122
D945,712 S * 3/2022 Zeng D30/122
D945,713 S * 3/2022 Zeng D30/122
D946,216 S * 3/2022 Xiao D30/122
D950,858 S * 5/2022 Gong D30/122
D952,267 S * 5/2022 Yi D30/129
D963,255 S * 9/2022 Chen D30/122
D963,957 S * 9/2022 Yang D30/122
D965,232 S * 9/2022 Chen D30/122
D969,416 S * 11/2022 Ren D30/122
D970,823 S * 11/2022 He D30/122
D972,227 S * 12/2022 Tan D30/122
2011/0247565 A1* 10/2011 Northrop A01K 7/02
119/61.54
2012/0125263 A1* 5/2012 Northrop A01K 5/0114
119/52.1
2016/0007564 A1* 1/2016 Ma A01K 5/0114
119/57.1

* cited by examiner

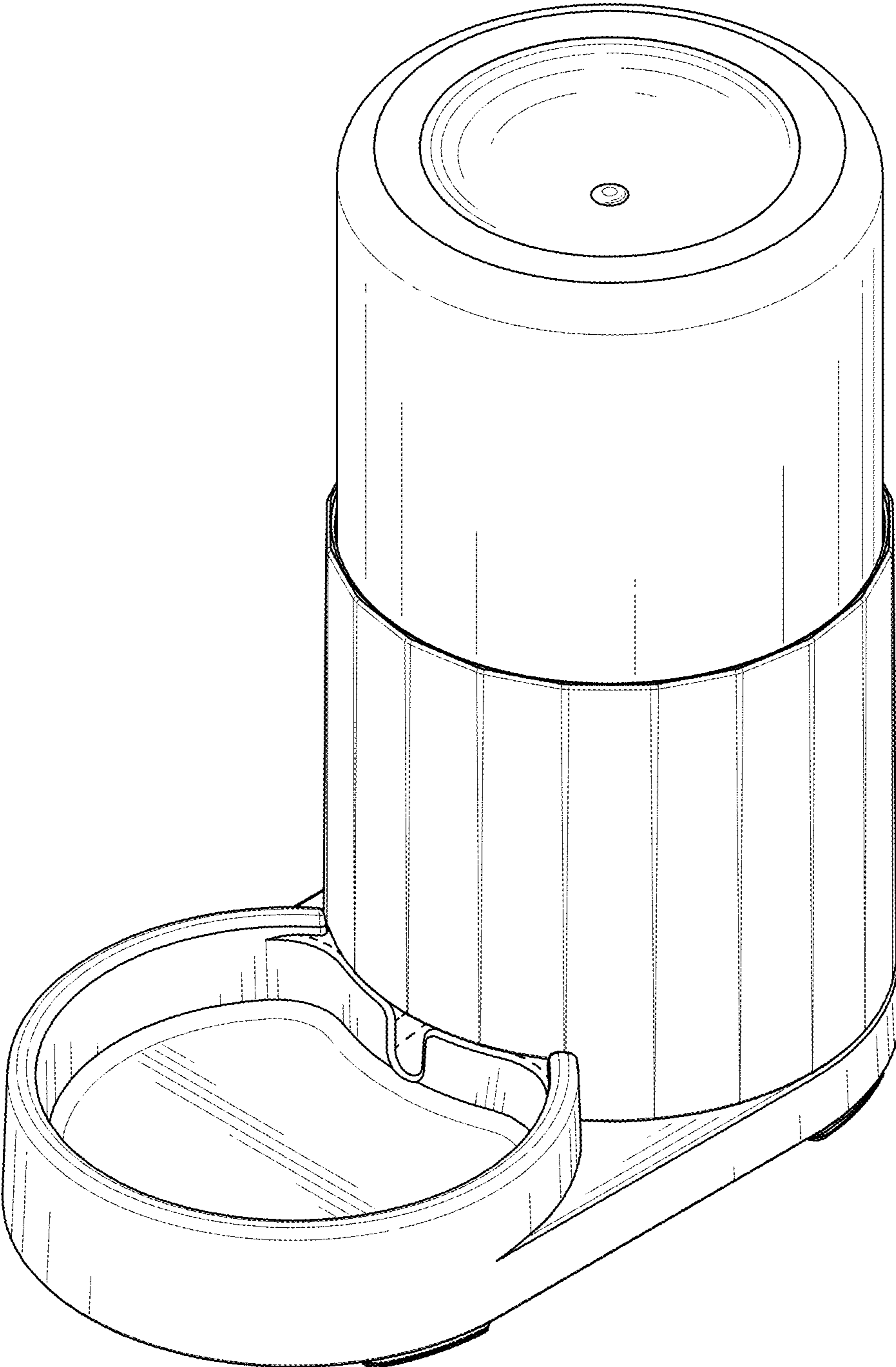


FIG. 1

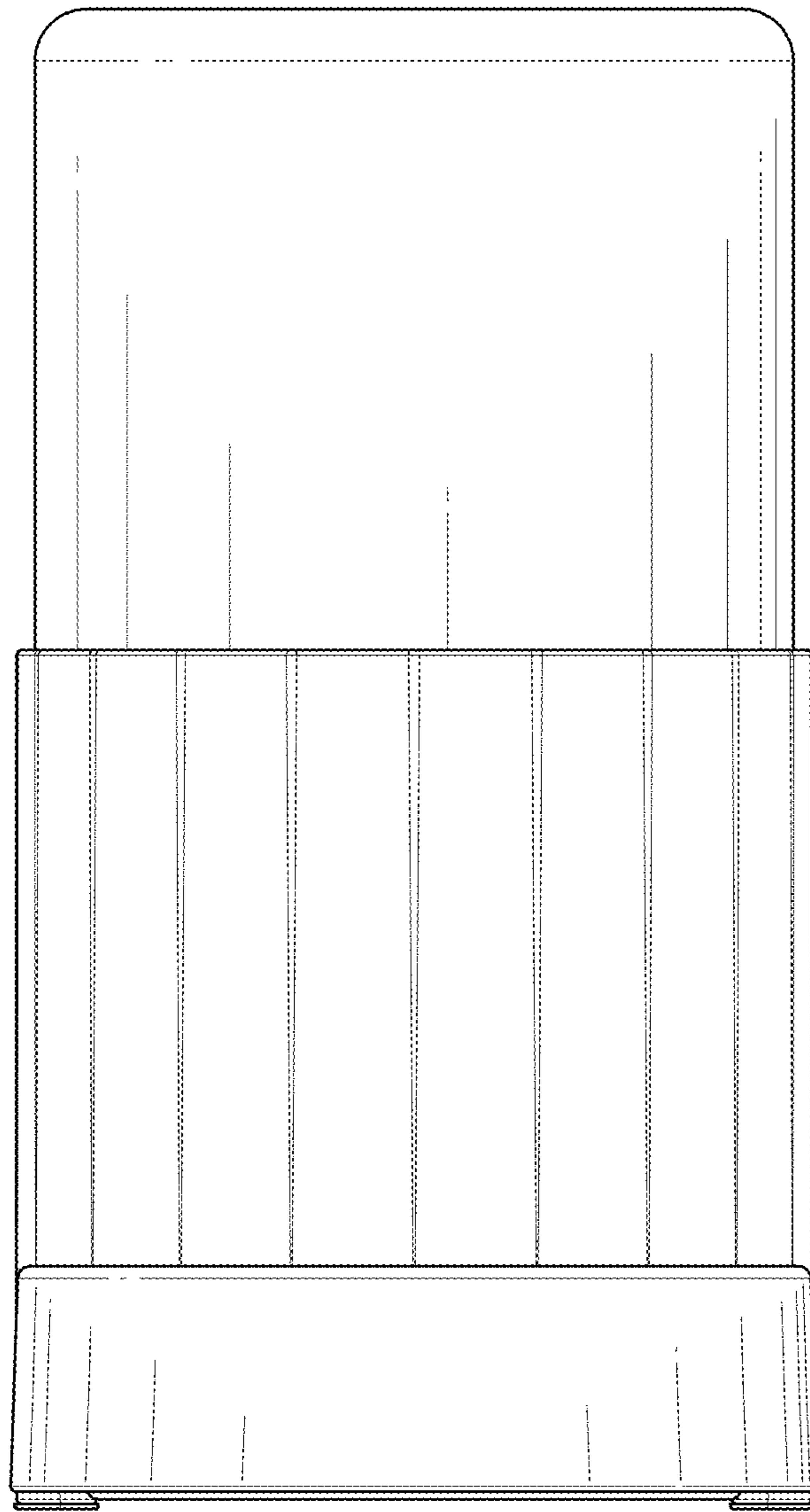


FIG. 2

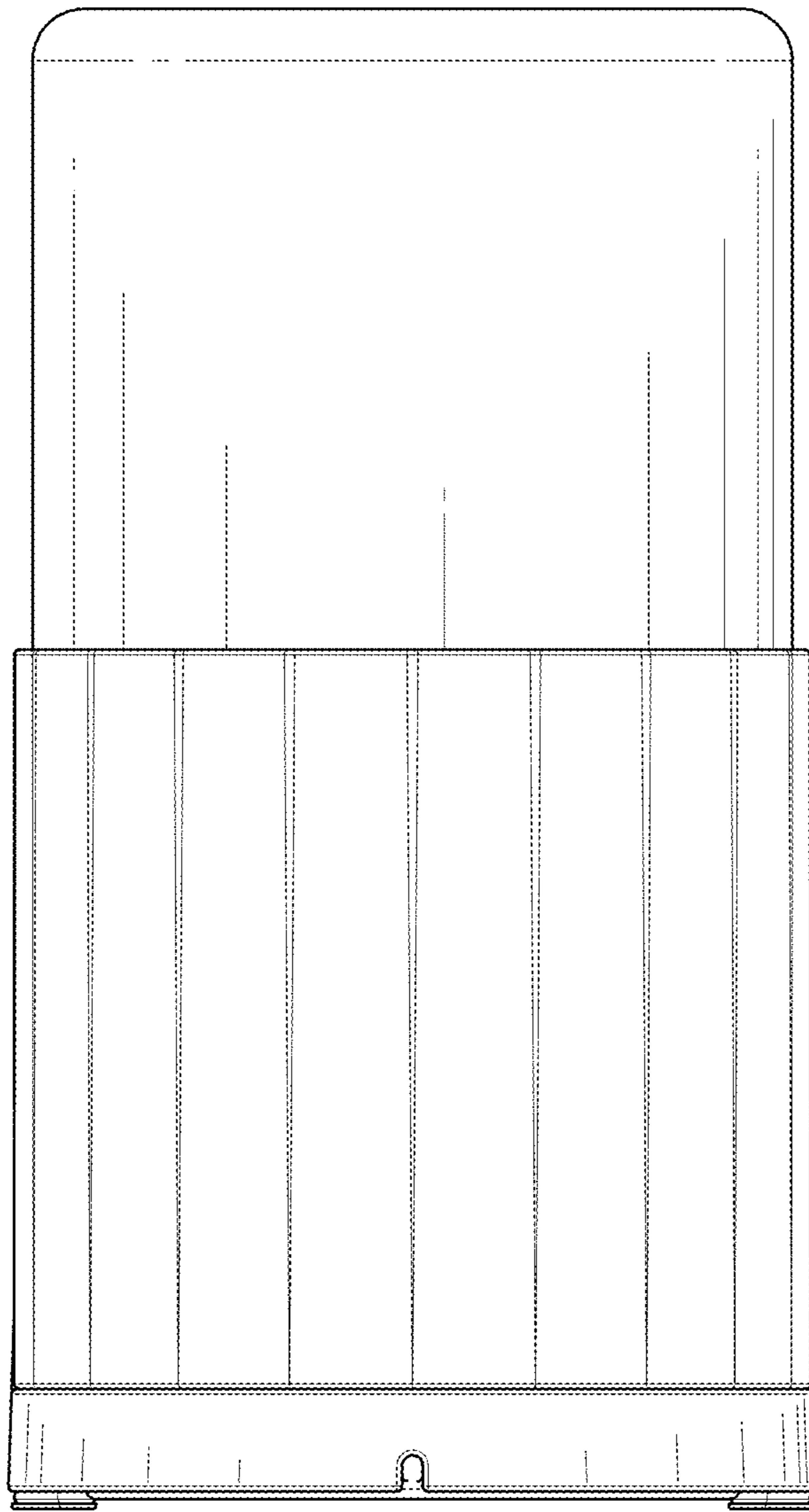


FIG. 3



FIG. 4

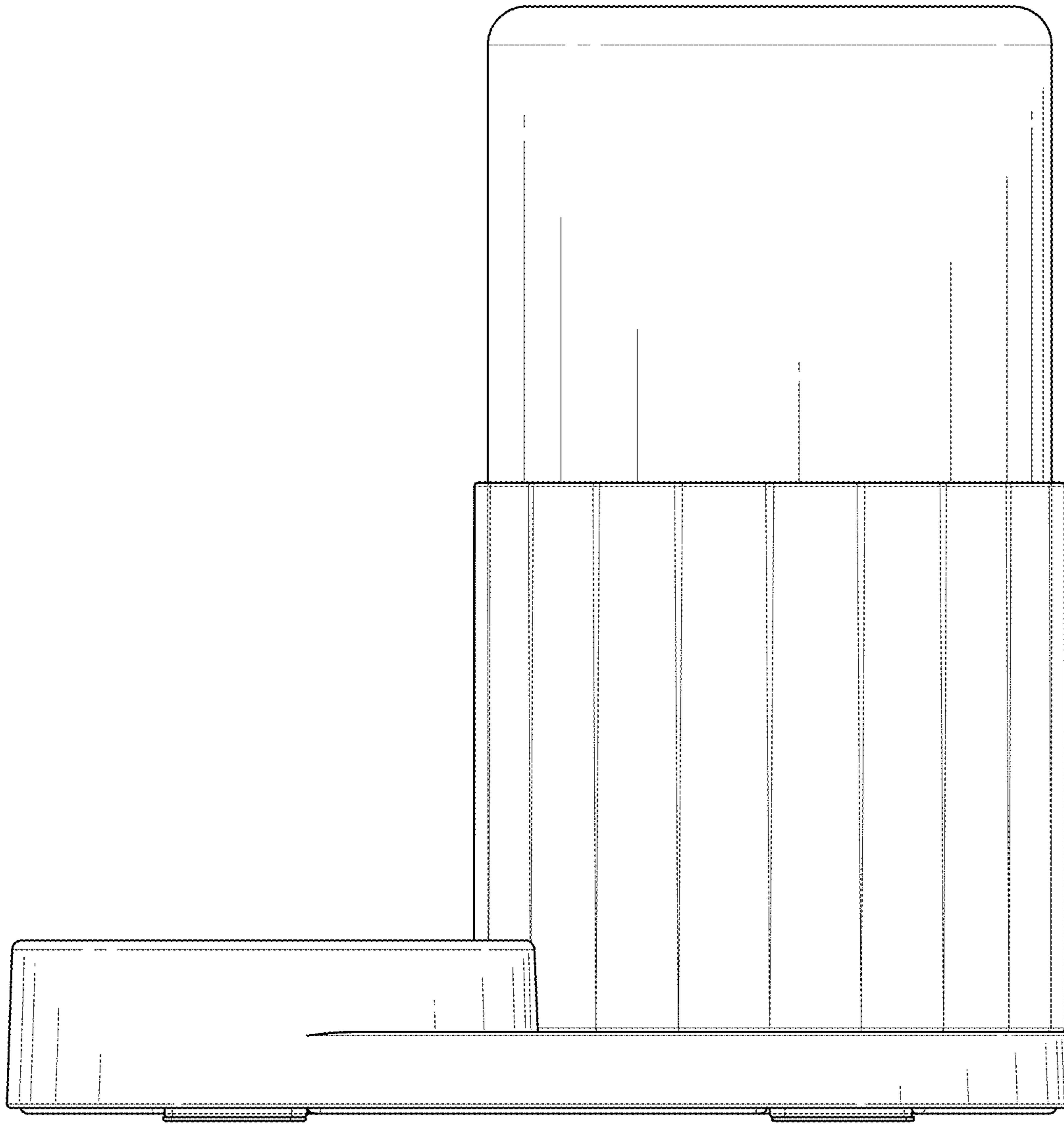


FIG. 5

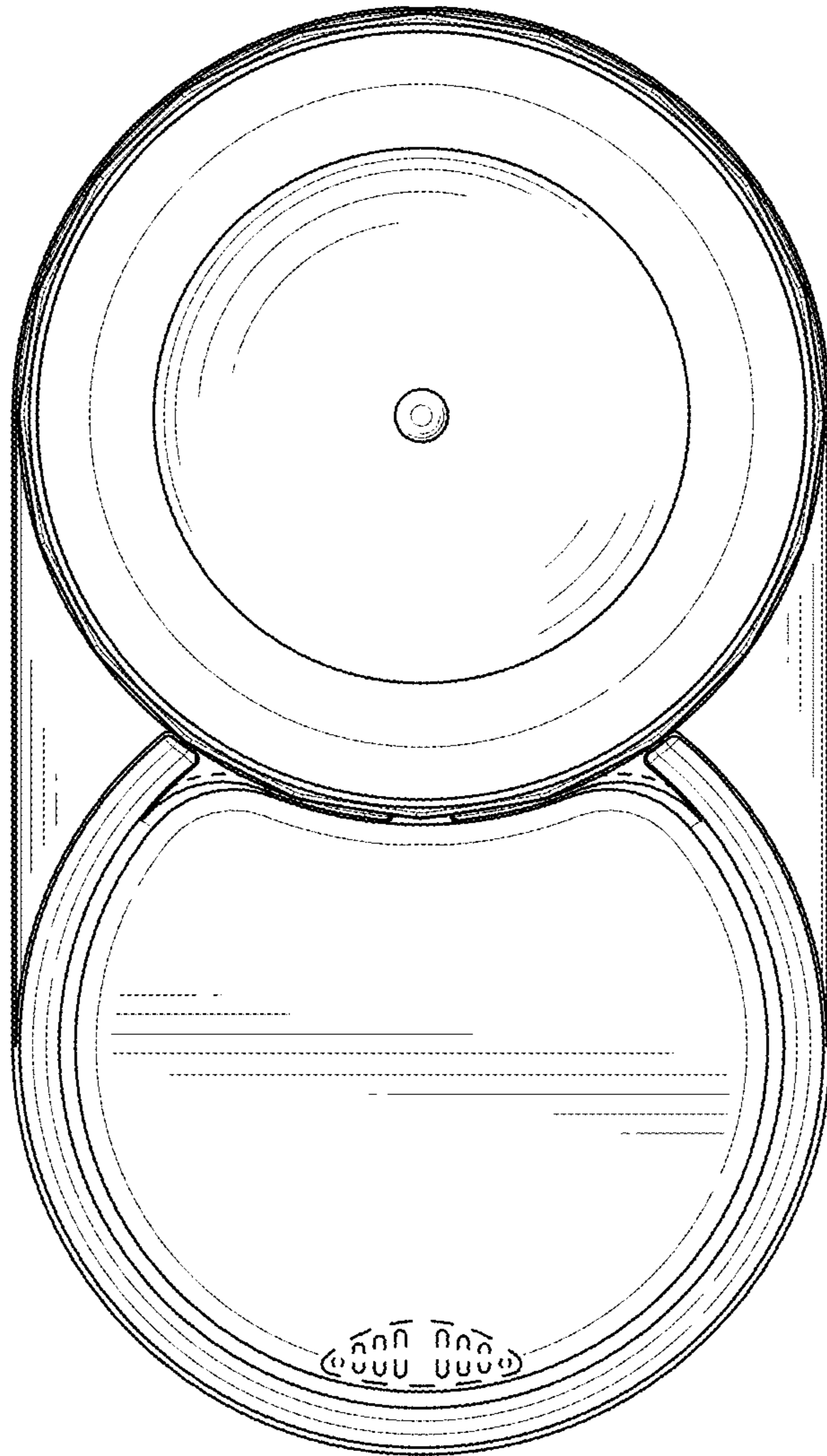


FIG. 6

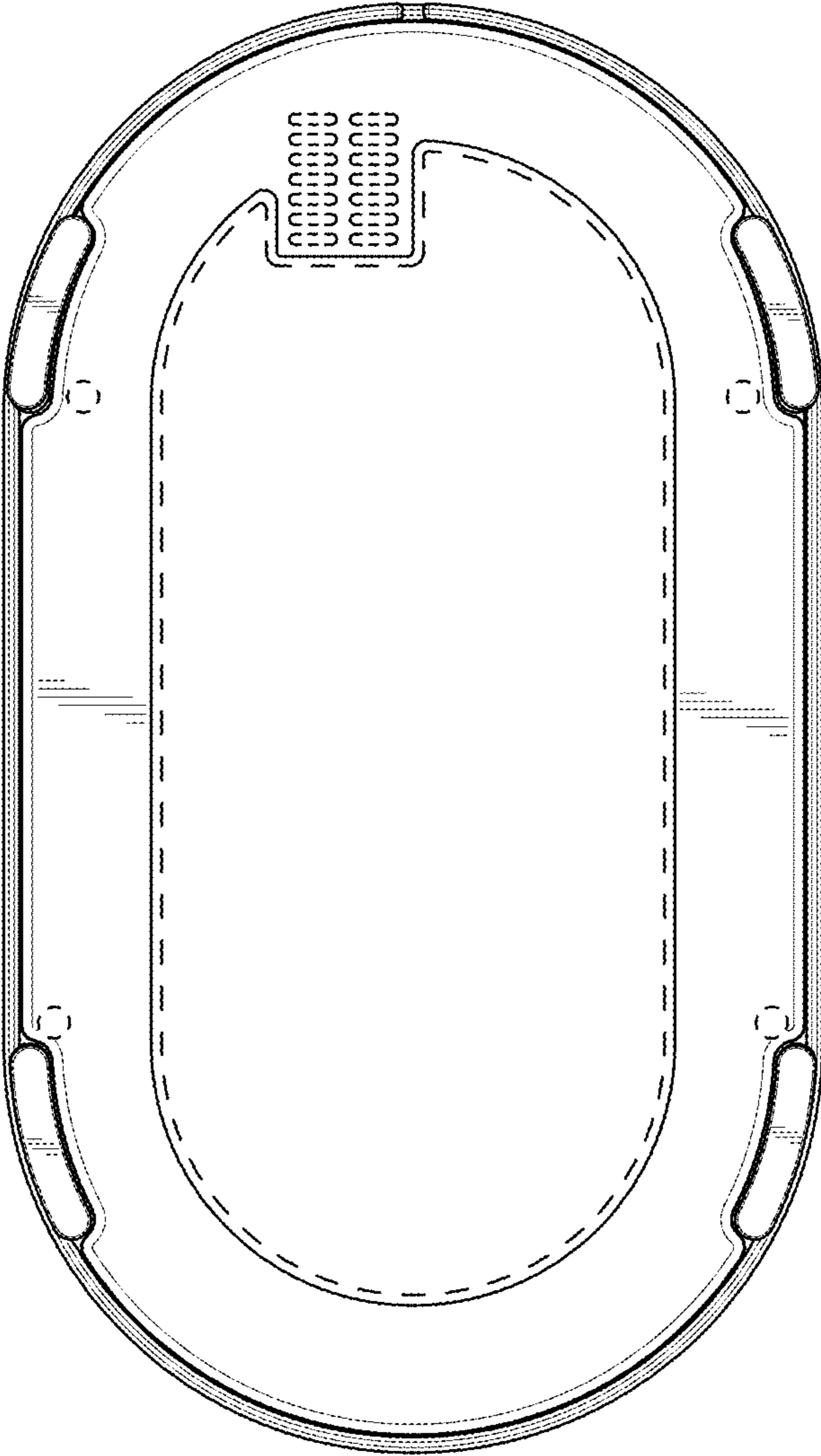


FIG. 7