



US00D985857S

(12) **United States Design Patent** (10) **Patent No.:** **US D985,857 S**
Oxley (45) **Date of Patent:** **** May 9, 2023**

(54) **WATER BOWL**

OTHER PUBLICATIONS

(71) Applicant: **SureFlap Ltd.**, Cambridge (GB)

UK International Property Office (UKIPO) Search Report dated Apr. 23, 2021 for Application No. GB2017469.4 (2 pages).

(72) Inventor: **Paul Robert Oxley**, Kings Langley (GB)

Primary Examiner — Susan Moon Lee

(73) Assignee: **SureFlap Ltd.**, Cambridge (GB)

(74) *Attorney, Agent, or Firm* — Knobbe, Martens, Olson & Bear, LLP

(**) Term: **15 Years**

(21) Appl. No.: **29/781,978**

(57) **CLAIM**

(22) Filed: **May 3, 2021**

The ornamental design for a water bowl, as shown and described.

(30) **Foreign Application Priority Data**

Nov. 4, 2020 (GB) 2017469

Nov. 5, 2020 (GB) 6105719

(51) **LOC (14) Cl.** **30-03**

(52) **U.S. Cl.**

USPC **D30/132; D30/122**

(58) **Field of Classification Search**

USPC D30/123, 129, 132, 121; 119/69.5, 673, 119/57.8, 68, 74, 61.57, 78-81, 61.4, 119/57.9, 51.5, 61.5, 72, 475; 47/66.6, 47/39, 67, 83; 239/280, 200, 281, 280.5, 239/273, 16-32; 4/644, 627, 638;
(Continued)

(56) **References Cited**

U.S. PATENT DOCUMENTS

3,720,184 A * 3/1973 Pearce A01K 5/0225
119/51.5

D294,750 S * 3/1988 Atchley D30/132
(Continued)

FOREIGN PATENT DOCUMENTS

CN 102669000 A 9/2012
CN 207574273 U 7/2018
(Continued)

DESCRIPTION

FIG. 1 is a top view of the water bowl of the present design showing a top portion of the water bowl in accordance with an embodiment.

FIG. 2 is a bottom view of the water bowl of the present design showing a bottom portion of the water bowl in accordance with the embodiment.

FIG. 3 is a front view of the water bowl of the present design showing a front portion of the water bowl in accordance with the embodiment.

FIG. 4 is a rear view of the water bowl of the present design showing a rear portion of the water bowl in accordance with the embodiment.

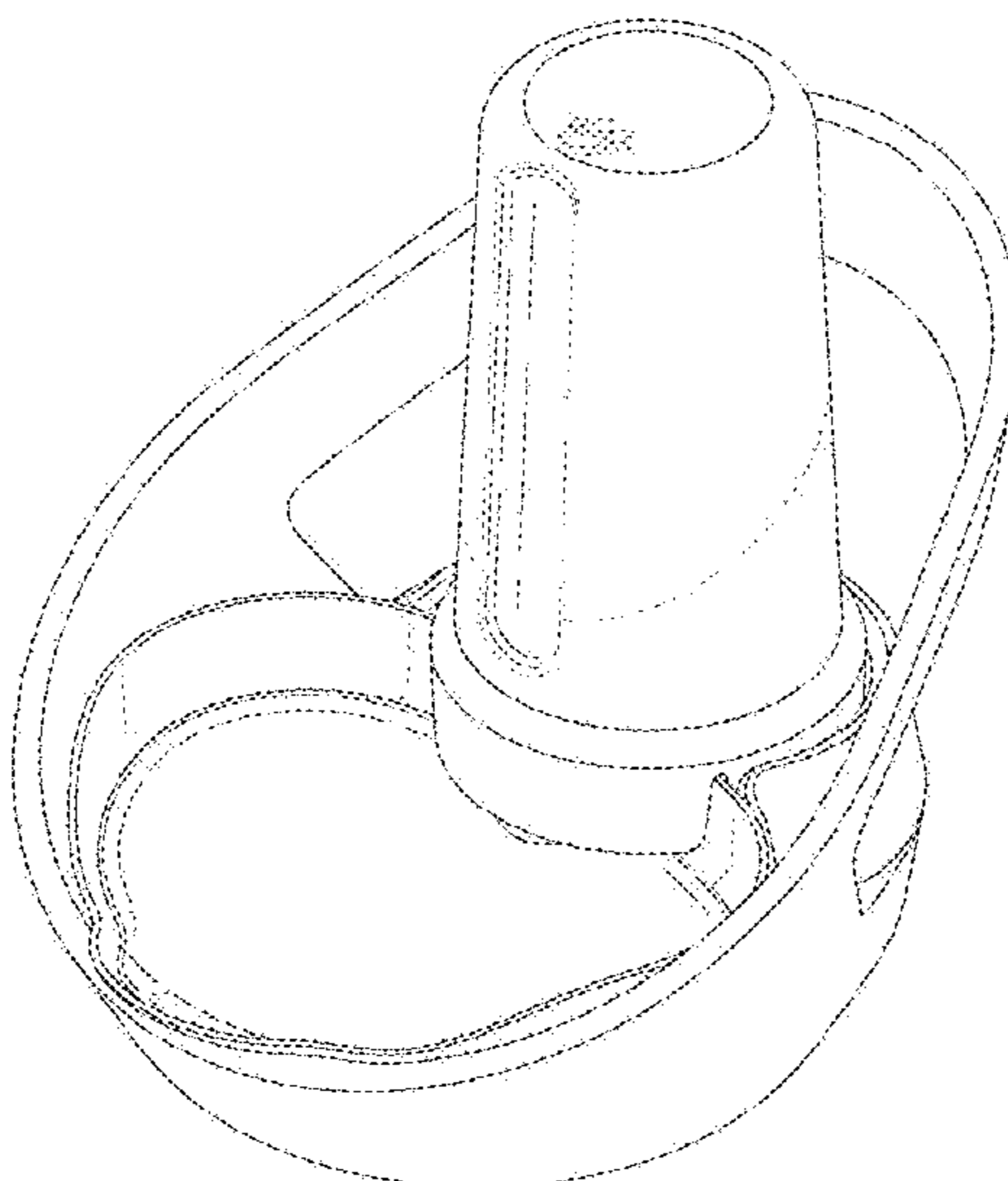
FIG. 5 is a first side view of the water bowl of the present design showing a first side portion of the water bowl in accordance with the embodiment.

FIG. 6 is a second side view of the water bowl of the present design showing a second side portion of the water bowl in accordance with the embodiment; and,

FIG. 7 is a perspective view of the water bowl of the present design showing the front, top, and first side portions of the water bowl in accordance with the embodiment.

In the drawings, the broken lines depict portions of the water bowl that form no part of the claimed design.

1 Claim, 7 Drawing Sheets



(58) **Field of Classification Search**

USPC D7/558; D11/144, 145, 153; D99/5, 24;
 27/1; D23/201, 292, 204, 205, 214-216;
 248/127, 132, 137, 138, 158, 910;
 215/10; D6/353, 352, 484, 360, 480,
 D6/488; 219/521; 329/442, 459;
 99/452, 483; 40/406, 407; 261/29, 106,
 261/73; 137/560, 563, 801; 55/385.2;
 417/527, 313; 431/292-294, 289;
 362/101; D26/6, 9
 CPC ... A01K 7/00; A01K 7/02; A01K 7/06; A01K
 7/04; A01K 7/005; A01K 7/022; A01K
 7/025; A01K 7/027; A01K 5/0216; A01K
 39/02; F04B 23/00; F04B 23/02; F04B
 23/021; F04B 23/026; B05B 17/08; B05B
 17/085; B01D 35/30; Y10T 137/86035;
 Y10T 137/8376; Y10T 137/85954-85978
 See application file for complete search history.

(56) **References Cited**

U.S. PATENT DOCUMENTS

4,840,143 A * 6/1989 Simon A01K 5/0225
 43/131
 D312,334 S 11/1990 Kirk
 D335,370 S 5/1993 Kirk
 D350,841 S 9/1994 Vanskiver
 D351,689 S 10/1994 Vanskiver
 D364,942 S 12/1995 Vanskiver et al.
 D374,109 S * 9/1996 Lillelund D30/121
 D374,516 S * 10/1996 Lillelund D30/132
 5,845,600 A * 12/1998 Mendes A01K 7/02
 119/51.5
 D457,275 S 5/2002 Skurdalsvold et al.
 D457,692 S 5/2002 Skurdalsvold et al.
 D467,045 S 12/2002 Tsengas
 D472,350 S 3/2003 Northrop et al.
 D486,612 S * 2/2004 Ross D30/132
 D498,564 S 11/2004 Northrop et al.
 D563,605 S 3/2008 Morris et al.
 D564,710 S 3/2008 Modi et al.
 D564,711 S 3/2008 Modi et al.

D565,254 S 3/2008 Modi et al.
 D565,805 S 4/2008 Modi et al.
 D580,110 S 11/2008 Tsengas
 D602,651 S 10/2009 Modi et al.
 D623,806 S 9/2010 Modi et al.
 D629,974 S 12/2010 Northrop
 D637,769 S 5/2011 Weber
 D653,001 S 1/2012 Tsengas
 D659,298 S 5/2012 Obeyesekere
 D662,674 S 6/2012 Tsengas
 D689,245 S * 9/2013 Rowe D30/132
 D693,067 S * 11/2013 Scherbing D30/132
 D704,392 S * 5/2014 Fang D30/132
 D728,865 S 5/2015 Tsengas
 D733,366 S * 6/2015 Poisson D30/132
 D738,679 S 9/2015 Renforth et al.
 D738,680 S 9/2015 Renforth et al.
 D739,175 S 9/2015 Renforth et al.
 D739,176 S 9/2015 Renforth et al.
 D762,017 S 7/2016 Tsengas
 D773,127 S 11/2016 Oates
 D777,992 S 1/2017 Tsengas
 D789,148 S 6/2017 Hornung et al.
 D846,816 S 4/2019 Tsengas
 D858,901 S * 9/2019 Zhong D30/132
 D870,398 S 12/2019 Veness
 D871,683 S * 12/2019 Lee D30/132
 D872,381 S * 1/2020 Lee D30/132
 D918,489 S * 5/2021 Sayers D30/132
 D918,490 S 5/2021 Kirk et al.
 D947,924 S * 4/2022 Zheng D16/208
 D948,134 S * 4/2022 Tu D30/132
 D950,164 S * 4/2022 Jin D30/122
 D952,267 S * 5/2022 Yi D30/129
 D965,232 S * 9/2022 Chen D30/122
 2004/0059466 A1 3/2004 Block et al.
 2012/0299731 A1 11/2012 Triener
 2014/0083364 A1 * 3/2014 Anderson A01K 15/02
 119/51.01

FOREIGN PATENT DOCUMENTS

ES 1080579 U 5/2013
 WO WO 2020/022543 A1 1/2020

* cited by examiner

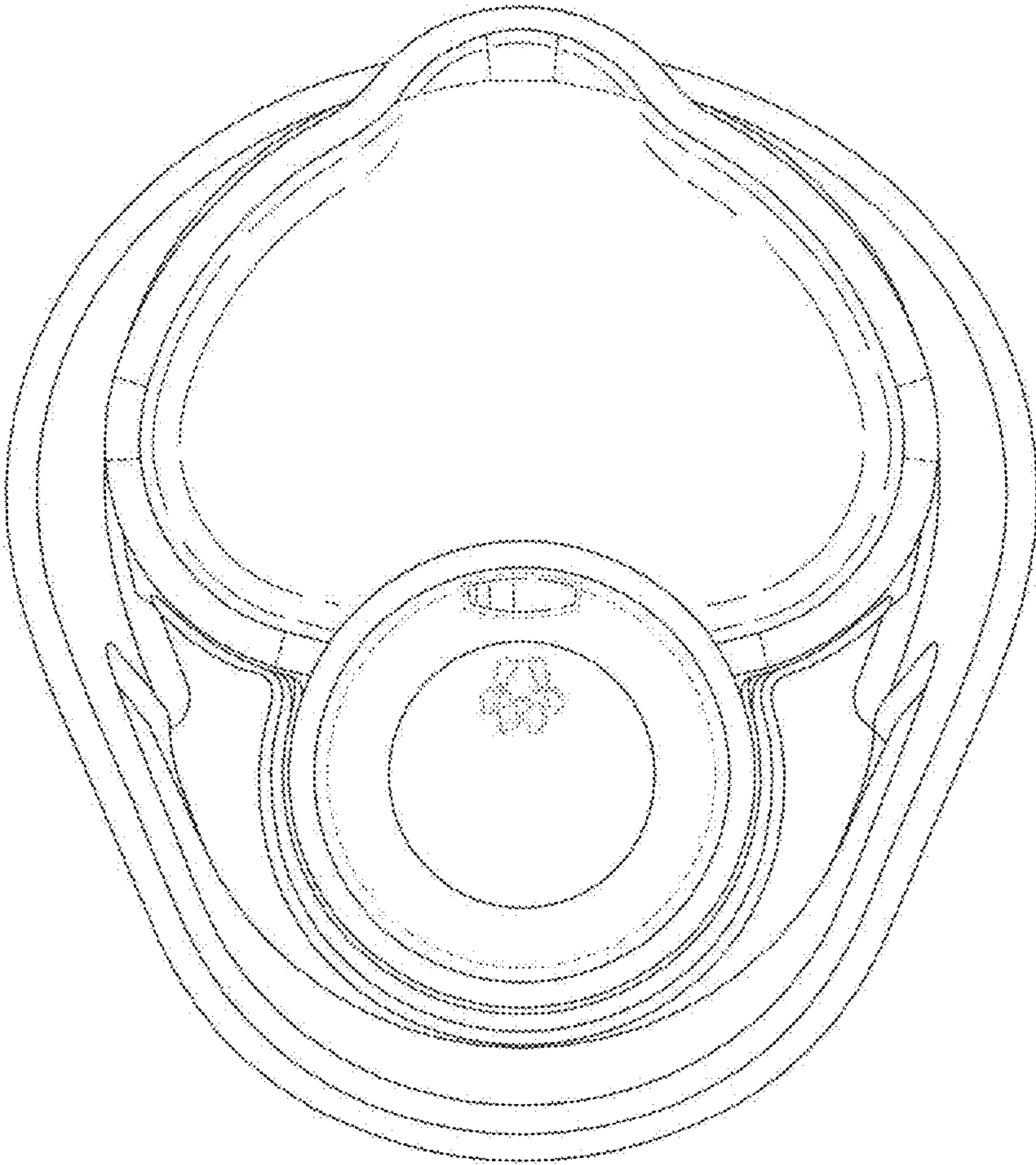


FIG. 1

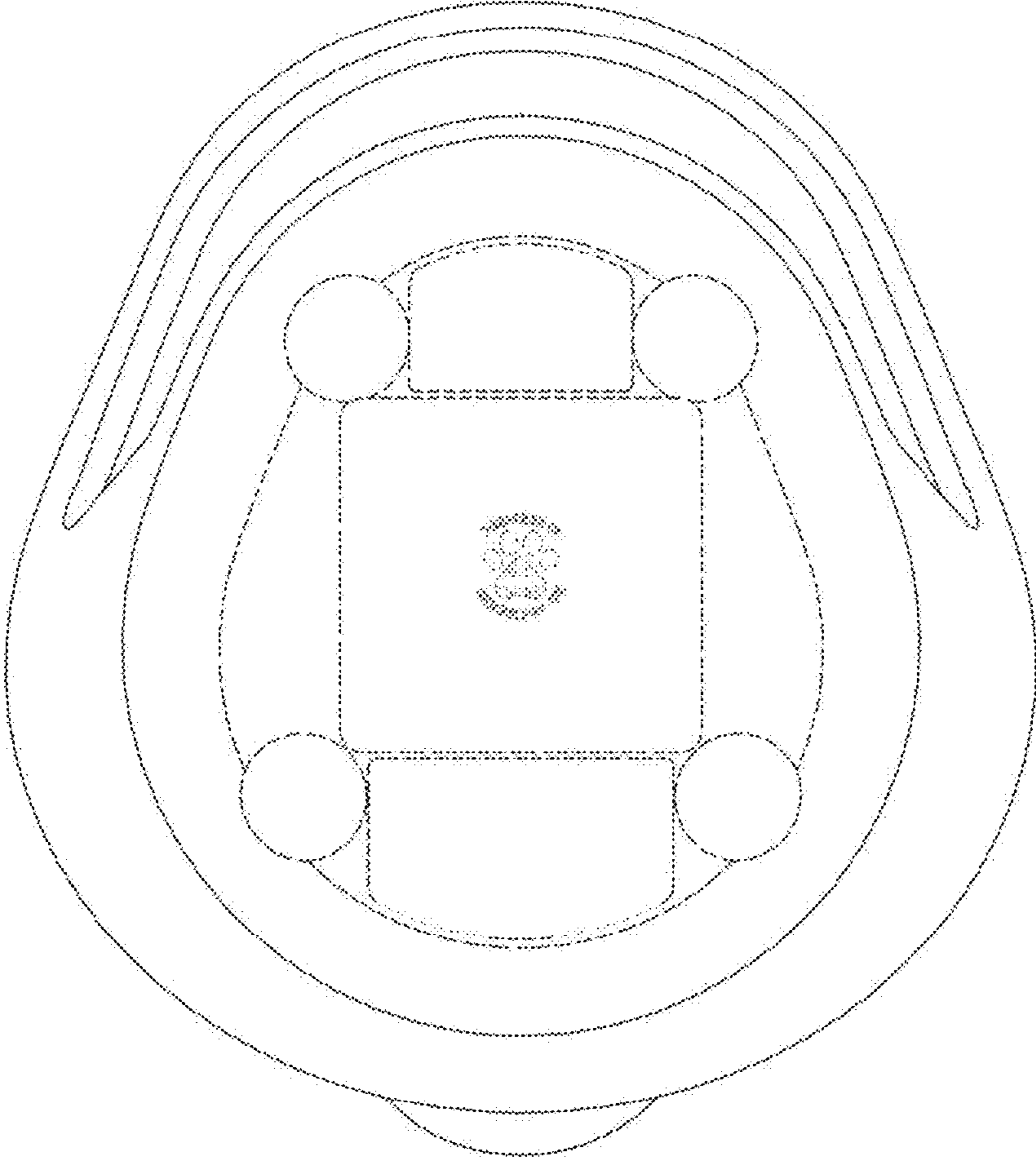


FIG. 2

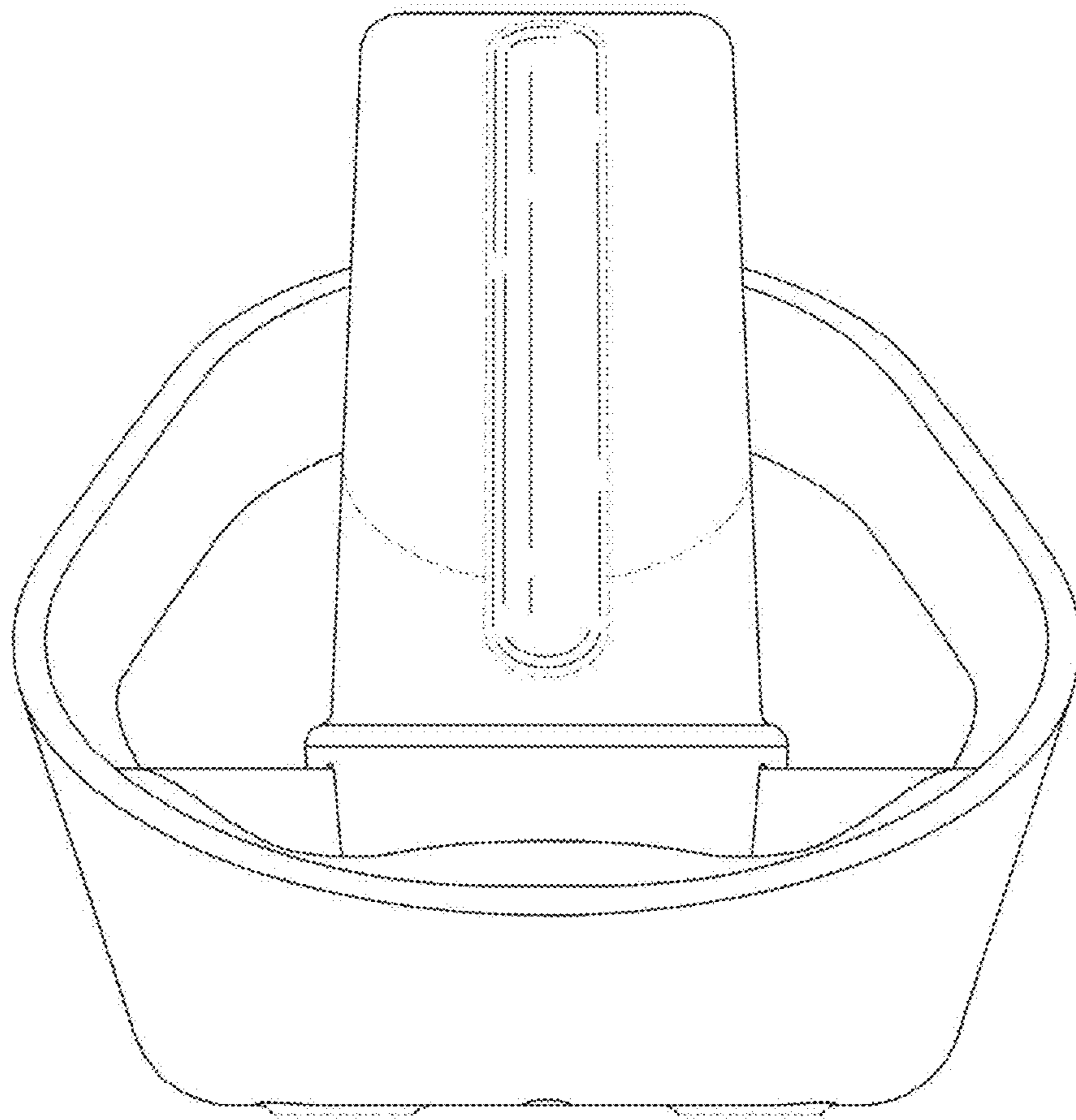


FIG. 3

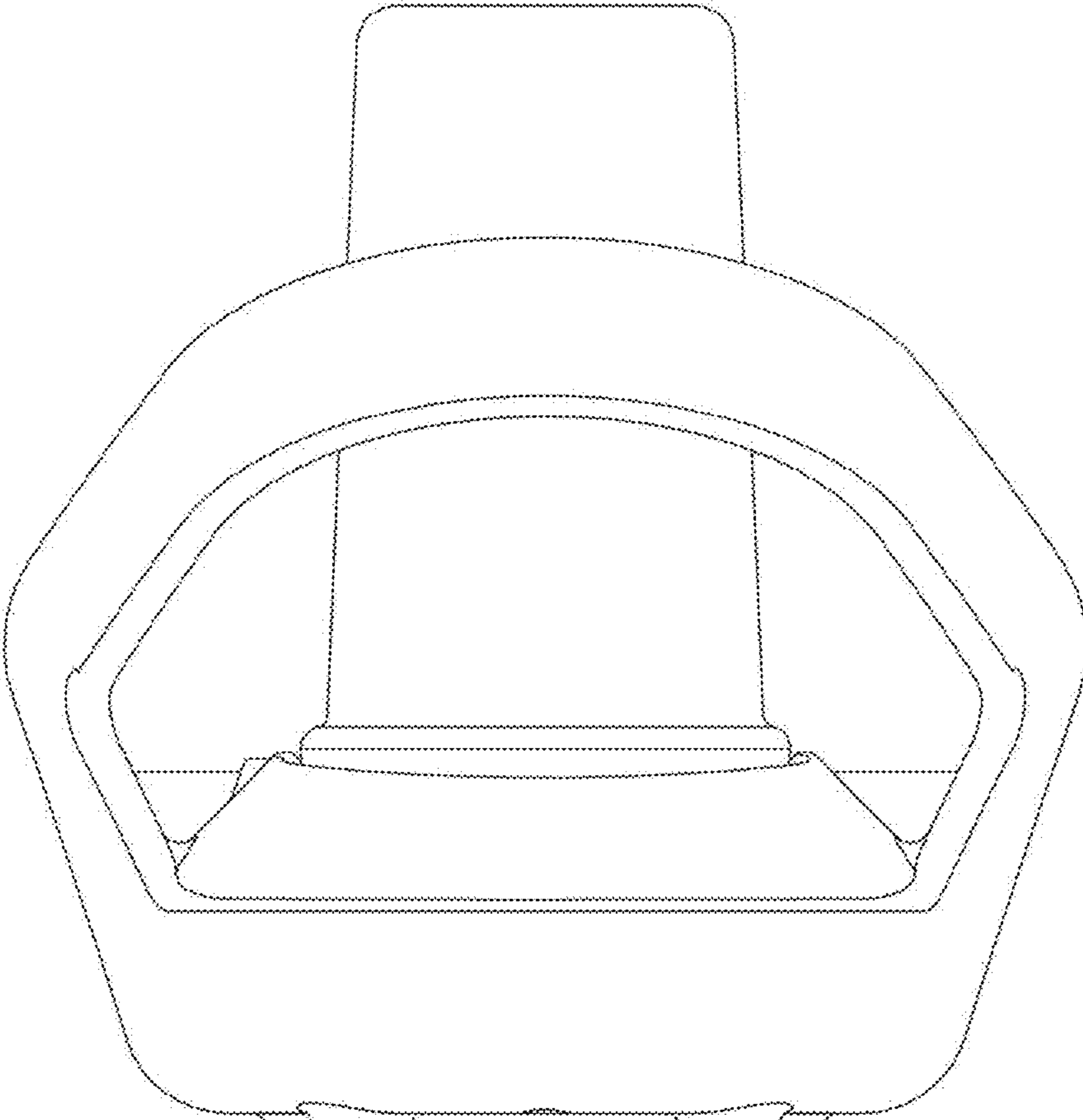


FIG. 4

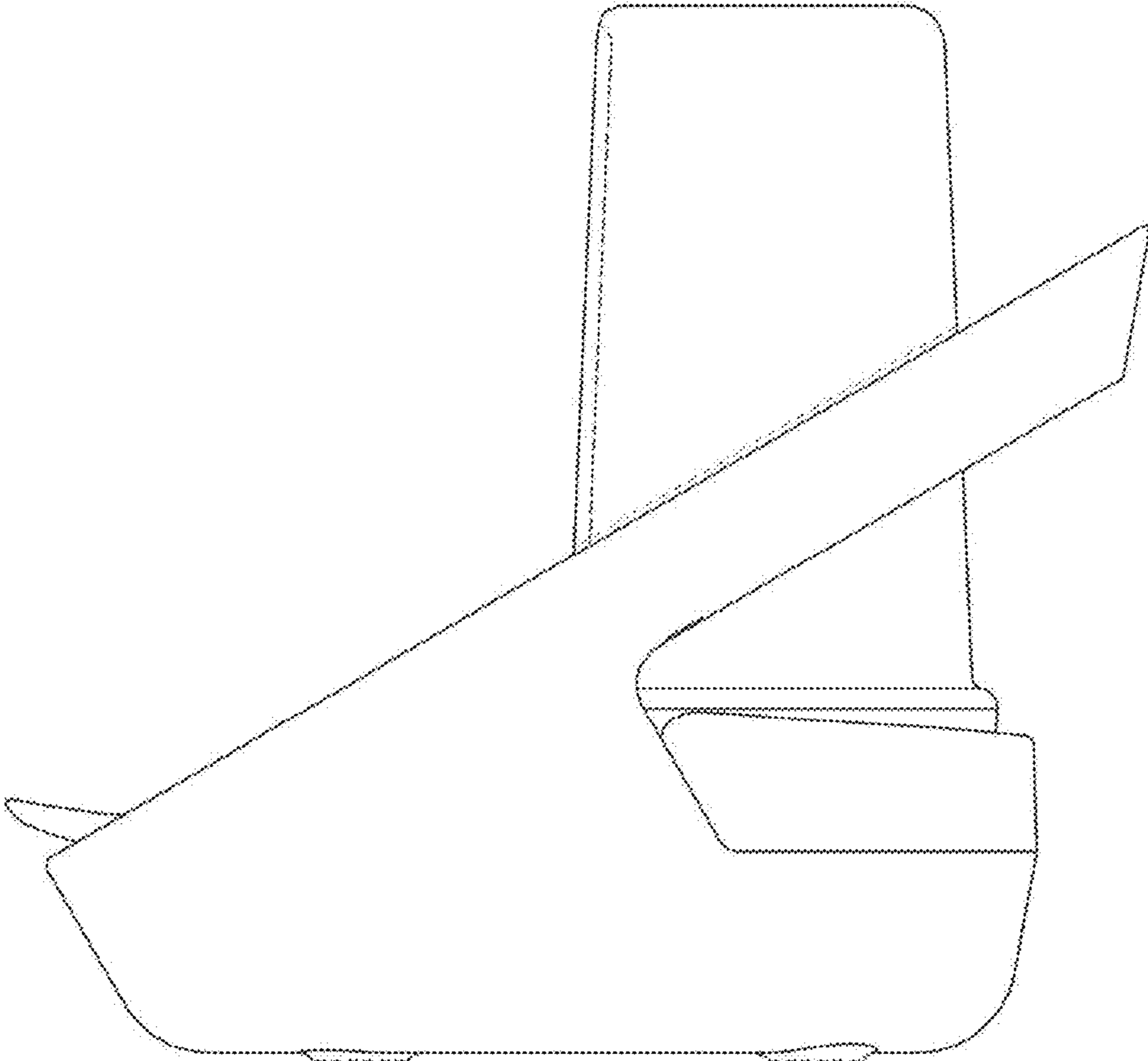


FIG. 5

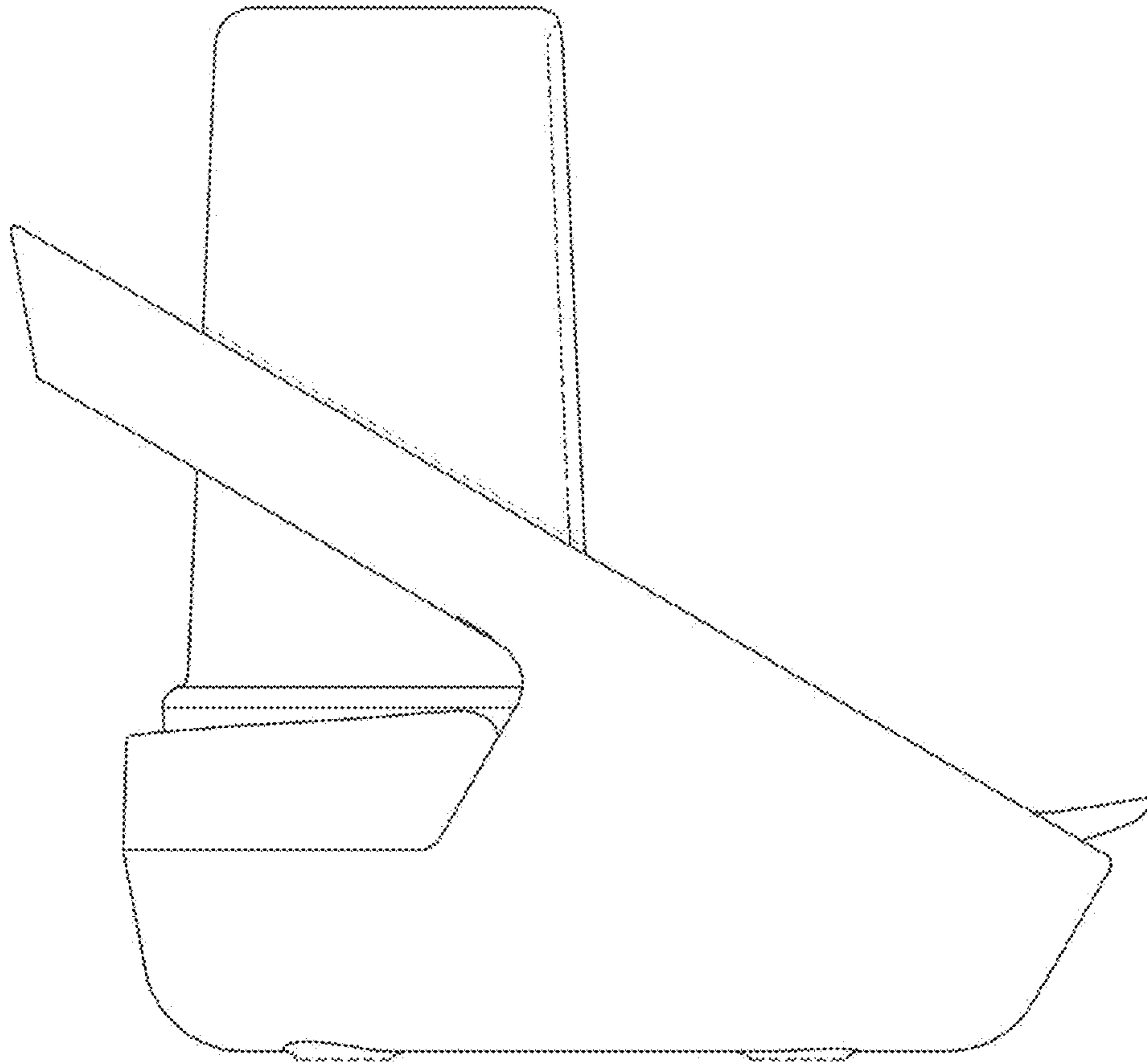


FIG. 6

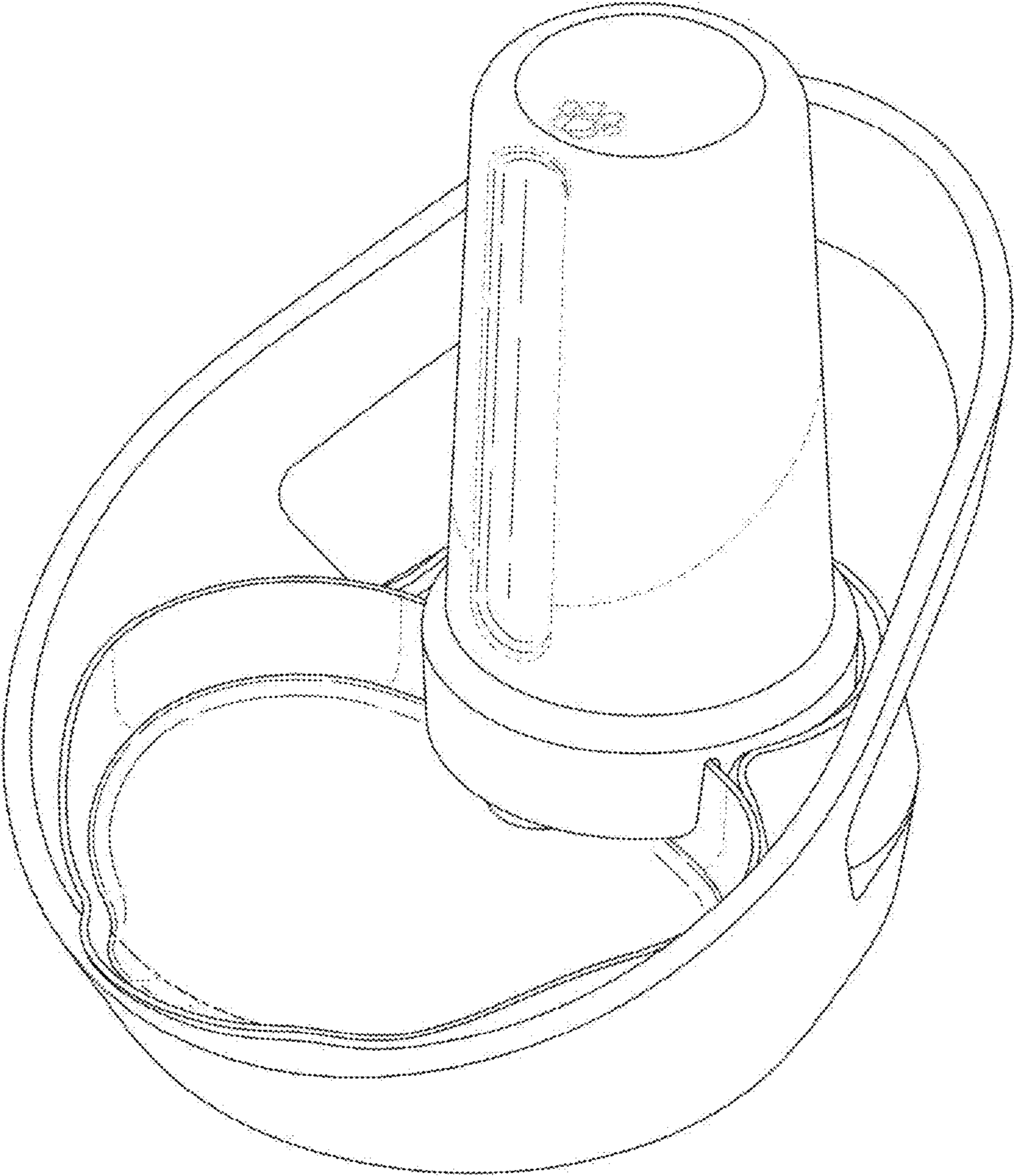


FIG. 7