



US00D985856S

(12) **United States Design Patent**
Luo

(10) **Patent No.:** **US D985,856 S**

(45) **Date of Patent:** **** May 9, 2023**

(54) **FOOD BOWL FOR PETS**

D907,307 S * 1/2021 Lan D30/130
D915,688 S * 4/2021 Fan D30/131
2009/0199775 A1* 8/2009 Shamoons A01K 5/0114
119/51.01

(71) Applicant: **SHENZHEN QICHENG
YUANZHENG TECHNOLOGY CO.,
LTD.**, Shenzhen (CN)

FOREIGN PATENT DOCUMENTS

(72) Inventor: **Linju Luo**, Shenzhen (CN)

GB 6152688 * 8/2021

(**) Term: **15 Years**

OTHER PUBLICATIONS

(21) Appl. No.: **29/802,761**

“Elevated Cat Slow Feeder Bowl” available Feb. 24, 2022, [online], [site visited Jan. 27, 2023]. Retrieved from Internet, URL:https://www.amazon.com/Elevated-Slow-Feeder-Bowl-Anti-Vomiting/dp/B09QQSX23V/ref=sr_1_7 (Year: 2022).*

(22) Filed: **Aug. 8, 2021**

(51) **LOC (14) Cl.** **30-03**

(52) **U.S. Cl.**
USPC **D30/130; D30/121**

* cited by examiner

(58) **Field of Classification Search**
USPC D30/121, 122, 129, 130, 131, 132, 133,
D30/199; 119/51.01, 51.02, 51.03, 51.11,
119/51.12, 51.13, 51.5, 52.1, 57, 57.1,
119/57.92, 58, 60, 61.1, 61.5, 61.52,
119/61.54, 61.55, 61.57, 72, 72.5, 73, 74,
119/75, 78, 174

Primary Examiner — Katrina N Gonzalez

CPC A01K 5/00; A01K 5/0114; A01K 5/0121;
A01K 5/0135; A01K 7/005; A01K 7/00;
A01K 39/02; A01K 39/04; A01K 39/0213
See application file for complete search history.

(57) **CLAIM**

The ornamental design for a food bowl for pets, as shown and described.

DESCRIPTION

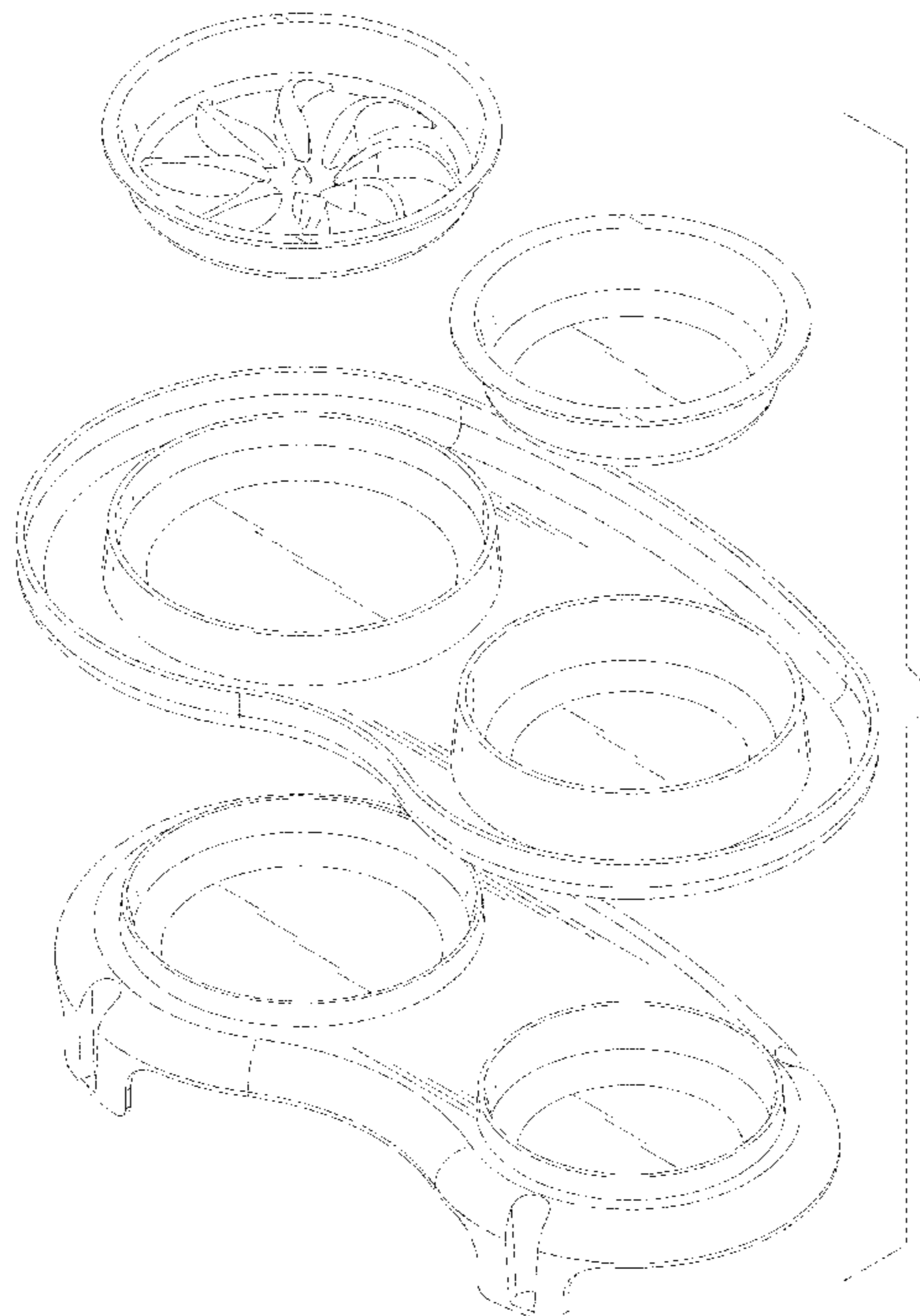
FIG. 1 is a front, right side, top perspective view of a food bowl for pets, showing my new design;
FIG. 2 is a rear, right side, bottom perspective view thereof;
FIG. 3 is a front elevational view thereof;
FIG. 4 is a rear elevational view thereof;
FIG. 5 is a left side elevational view thereof;
FIG. 6 is a right side elevational view thereof;
FIG. 7 is a top plan view thereof;
FIG. 8 is a bottom plan view thereof; and,
FIG. 9 is an exploded view thereof, showing all of the structural components of the food bowl for pets when disassembled.

(56) **References Cited**

U.S. PATENT DOCUMENTS

D597,262 S * 7/2009 Shamoons D30/130
D659,297 S * 5/2012 Stygstra D30/130
D825,115 S * 8/2018 Gevaert D30/130
D862,813 S * 10/2019 Liu D30/199
D869,781 S * 12/2019 Han D30/129

1 Claim, 9 Drawing Sheets



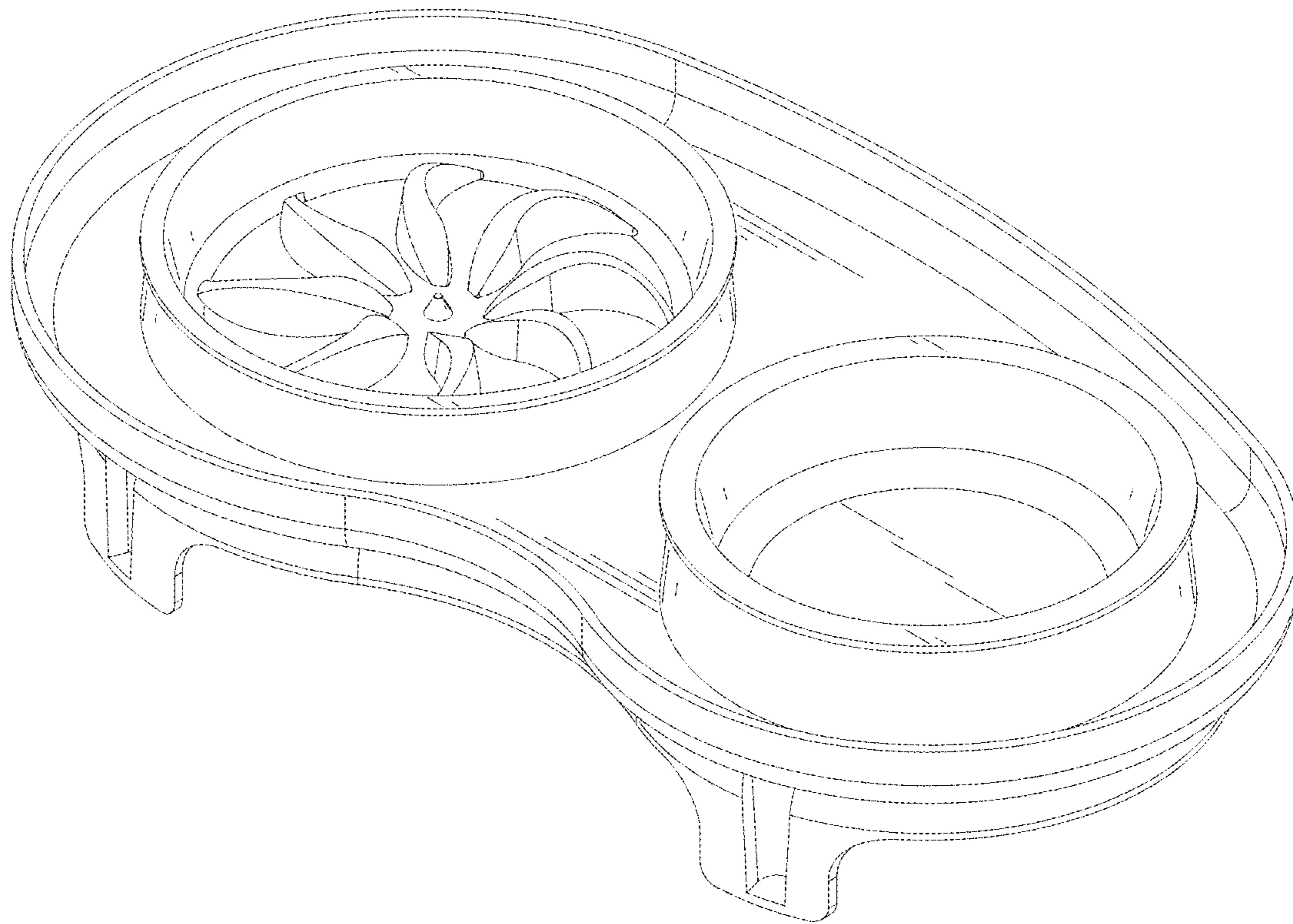


FIG.1

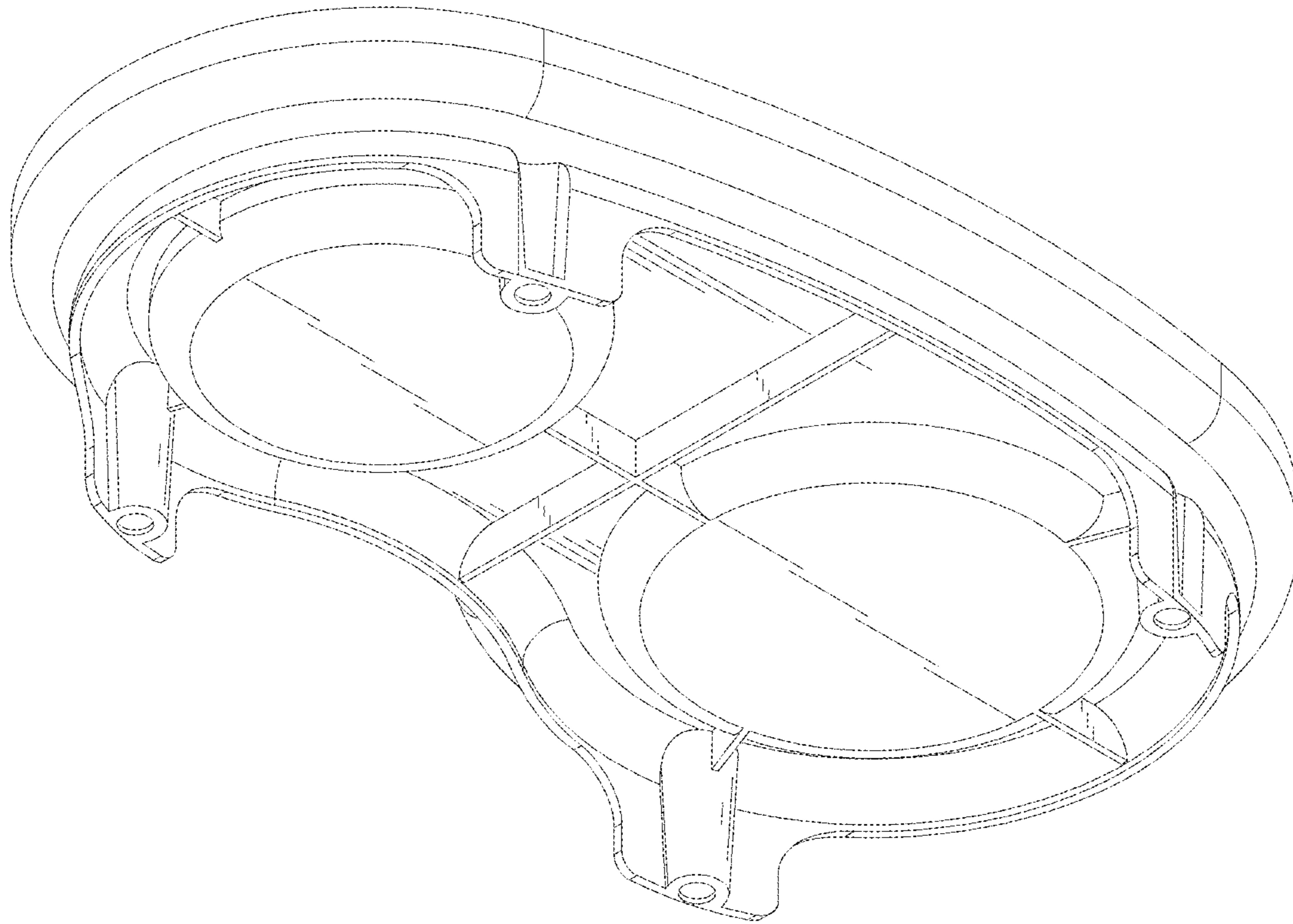


FIG.2

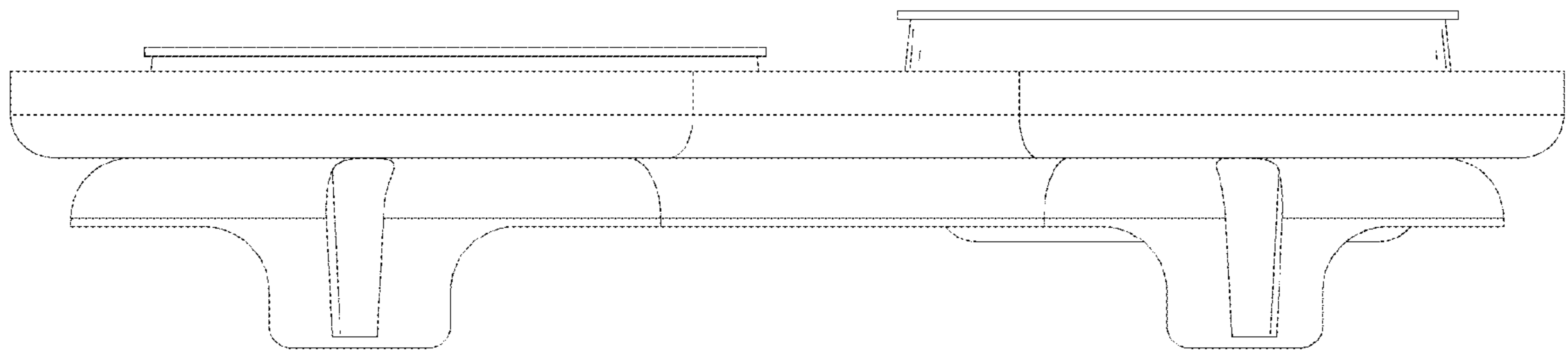


FIG.3

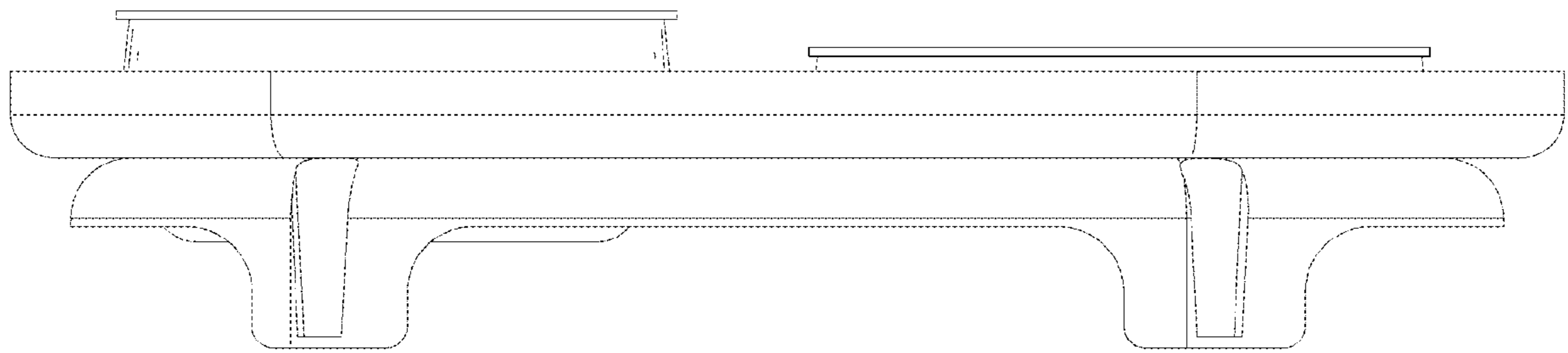


FIG. 4

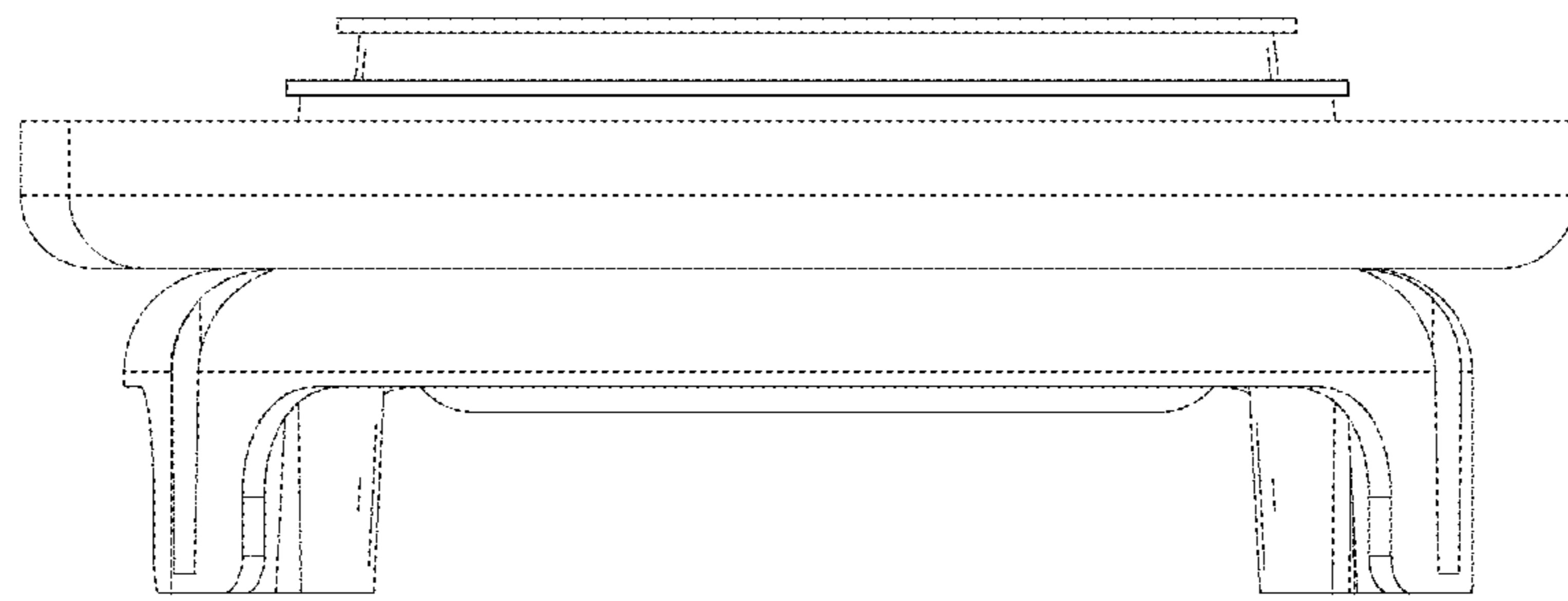


FIG.5

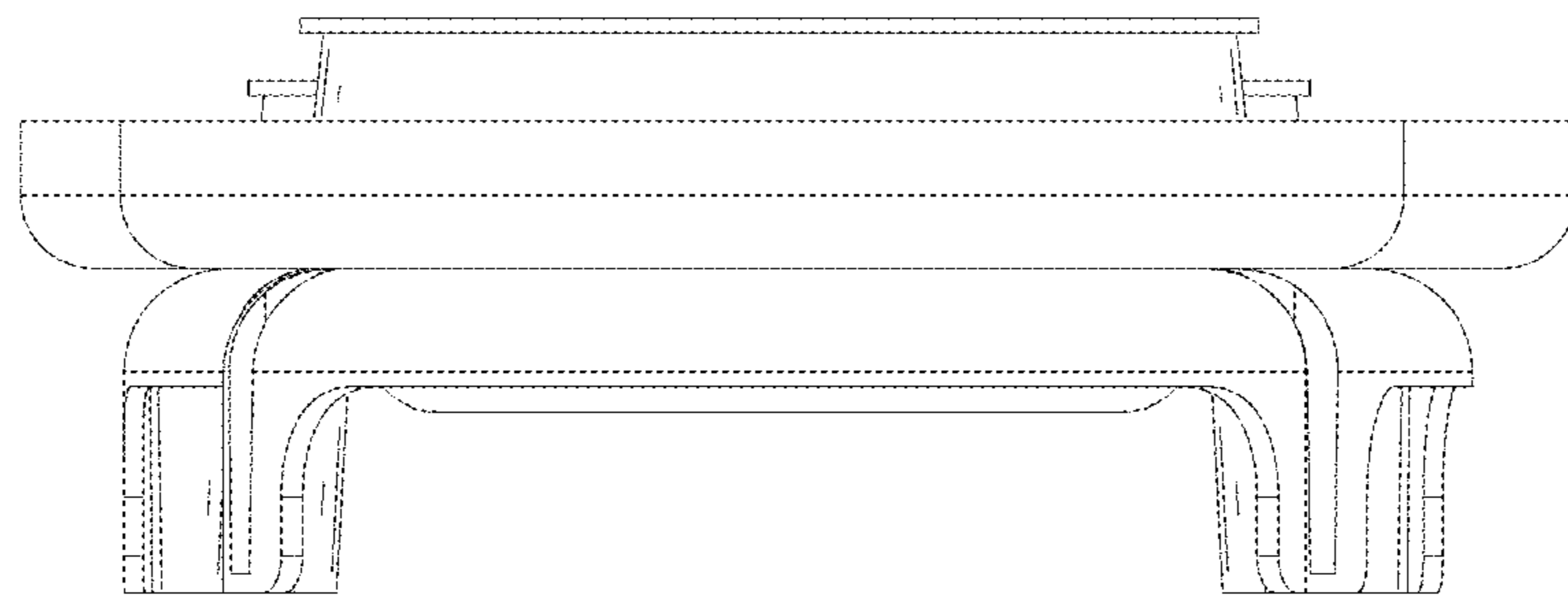


FIG. 6

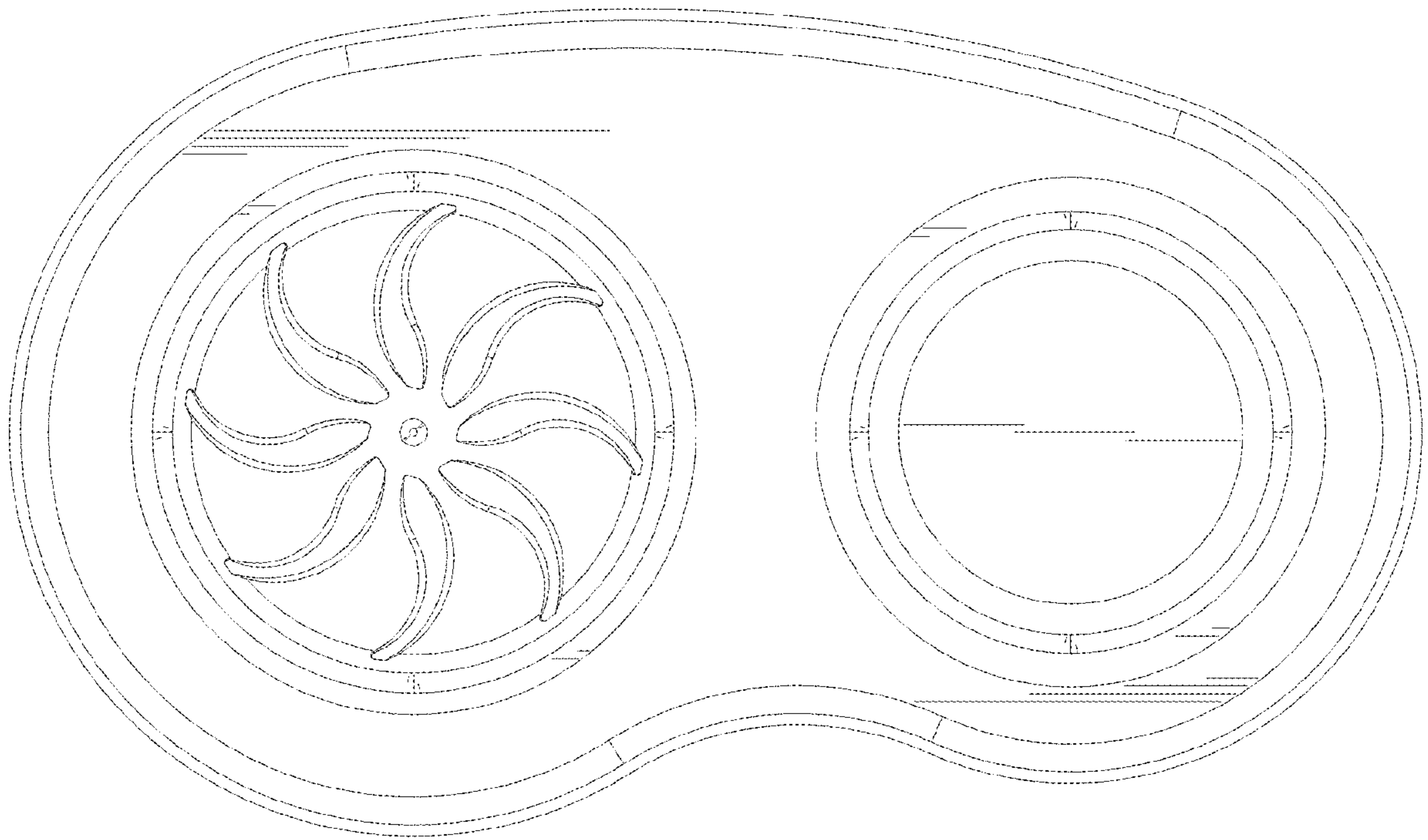


FIG.7

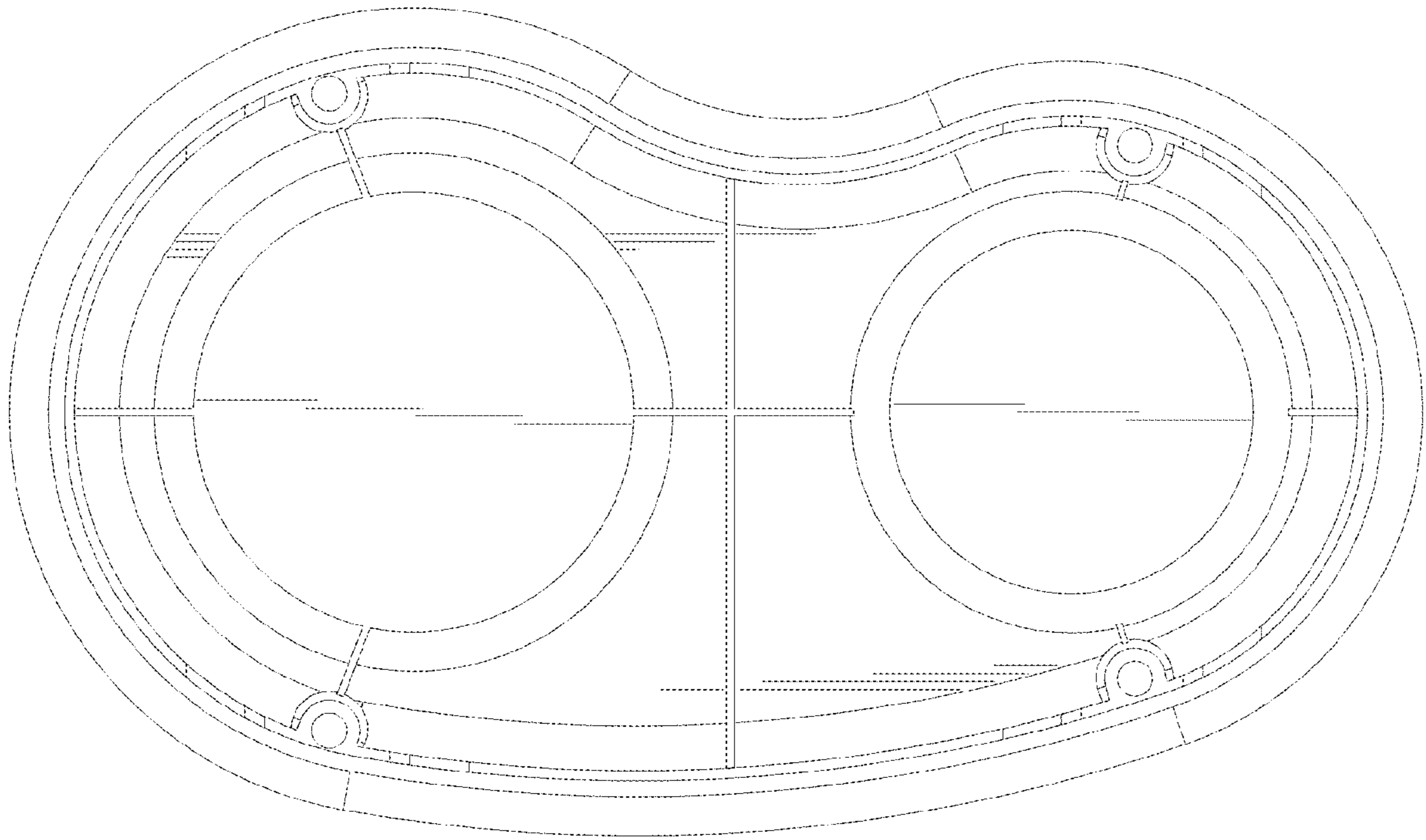


FIG.8

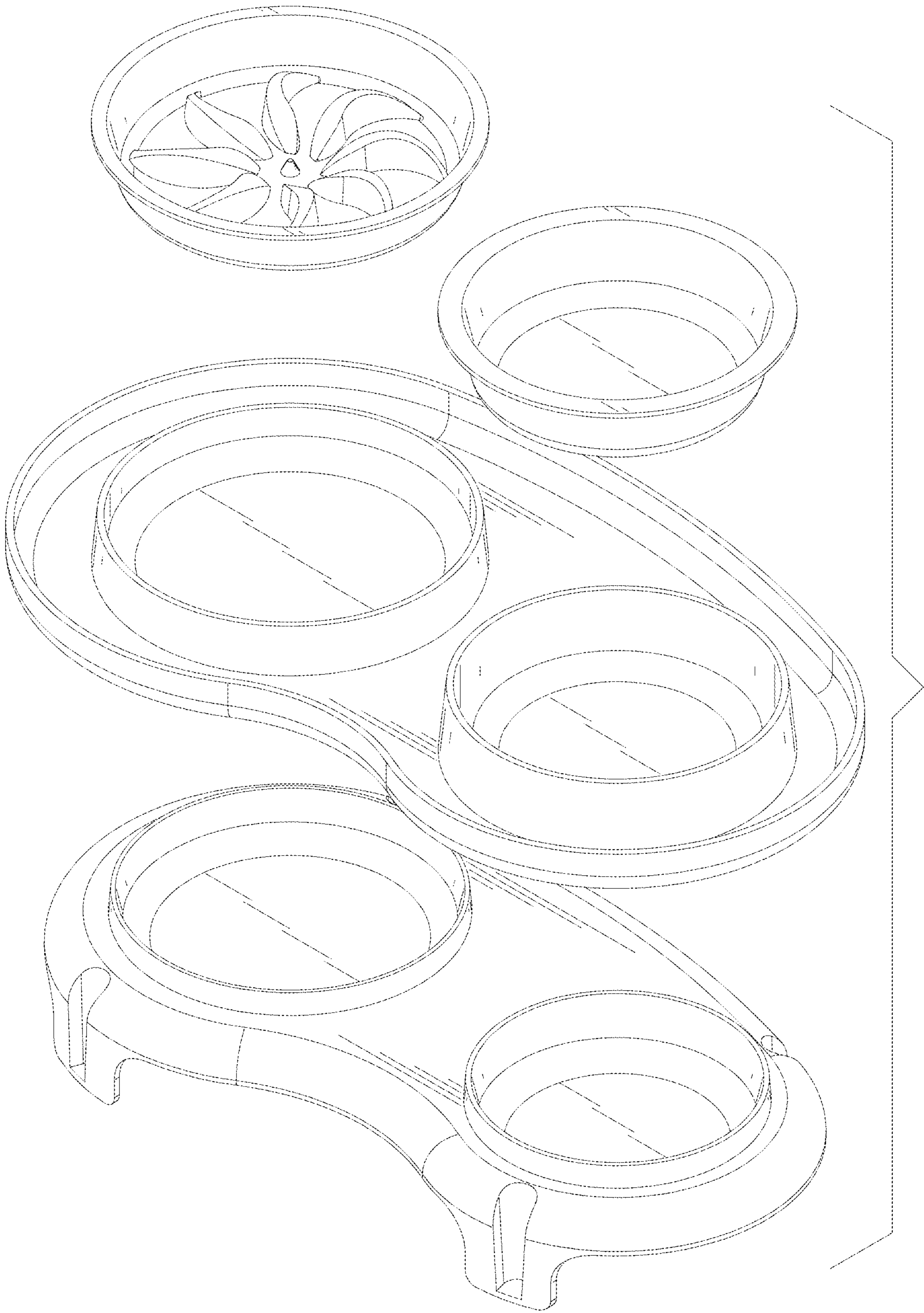


FIG. 9