



US00D985855S

(12) **United States Design Patent**
Omelchenko et al.

(10) **Patent No.:** **US D985,855 S**

(45) **Date of Patent:** **** May 9, 2023**

(54) **DOG BOWL SET**

(71) Applicants: **Anatoliy Omelchenko**, Brooklyn, NY (US); **Nataliia Omelchenko**, Brooklyn, NY (US)

(72) Inventors: **Anatoliy Omelchenko**, Brooklyn, NY (US); **Nataliia Omelchenko**, Brooklyn, NY (US)

(**) Term: **15 Years**

(21) Appl. No.: **29/784,365**

(22) Filed: **May 19, 2021**

(51) **LOC (14) Cl.** **30-03**

(52) **U.S. Cl.**
USPC **D30/130; D30/121; D30/129**

(58) **Field of Classification Search**
USPC D30/121, 122, 129, 130, 131, 132, 133, D30/199; 119/51.01, 51.02, 51.03, 51.11, 119/51.12, 51.13, 51.5, 52.1, 57, 57.1, 119/57.92, 58, 60, 61.1, 61.5, 61.52, 119/61.54, 61.55, 61.57, 72, 72.5, 73, 74, 119/75, 78, 174

CPC A01K 5/00; A01K 5/0114; A01K 5/0121; A01K 5/0135; A01K 7/005; A01K 7/00; A01K 39/02; A01K 39/04; A01K 39/0213

See application file for complete search history.

(56) **References Cited**

U.S. PATENT DOCUMENTS

4,270,490	A *	6/1981	Kopp	A01K 5/0114	119/61.5
D287,772	S *	1/1987	Stewart	D30/129	
D555,295	S *	11/2007	Donegan	D30/121	
7,387,082	B1 *	6/2008	Fried	A01K 5/0114	119/61.5
D703,393	S *	4/2014	Henley	D30/129	
D857,307	S *	8/2019	Miyawaki	D30/129	
D894,499	S *	8/2020	Houx	D30/129	

D901,094	S *	11/2020	White	D30/129	
D925,134	S *	7/2021	Mai	D30/132	
D945,085	S *	3/2022	Tao	D30/132	
D952,959	S *	5/2022	Liu	D30/132	
2006/0201434	A1 *	9/2006	Kujawa	A01K 5/0128	119/61.5
2007/0199512	A1 *	8/2007	Ellis	A01K 7/005	119/61.54
2014/0352621	A1 *	12/2014	Fairbanks	A01K 5/0121	119/61.5

(Continued)

OTHER PUBLICATIONS

“Stainless Steel Slow Feeder Dog Bowl” available Jun. 9, 2021, [online], [site visited Feb. 8, 2023]. Retrieved from Internet, URL: https://www.amazon.com/Stainless-Feeder-Permanently-Attached-Rubber/dp/B096WV3Q1M/ref=sr_1_22 (Year: 2021).*

(Continued)

Primary Examiner — Katrina N Gonzalez

(74) *Attorney, Agent, or Firm* — Larson & Larson; Justin P. Miller; Frank Liebenow

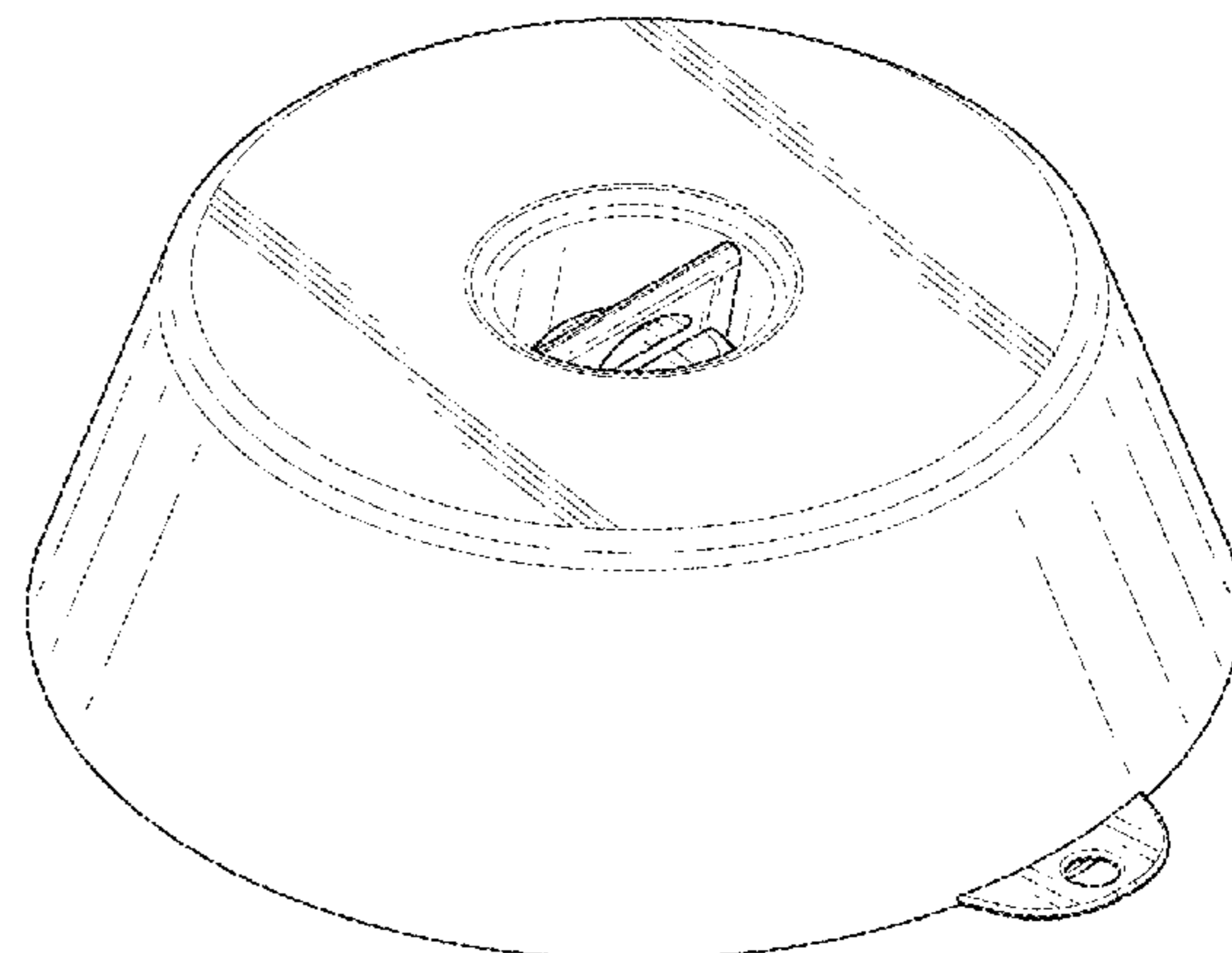
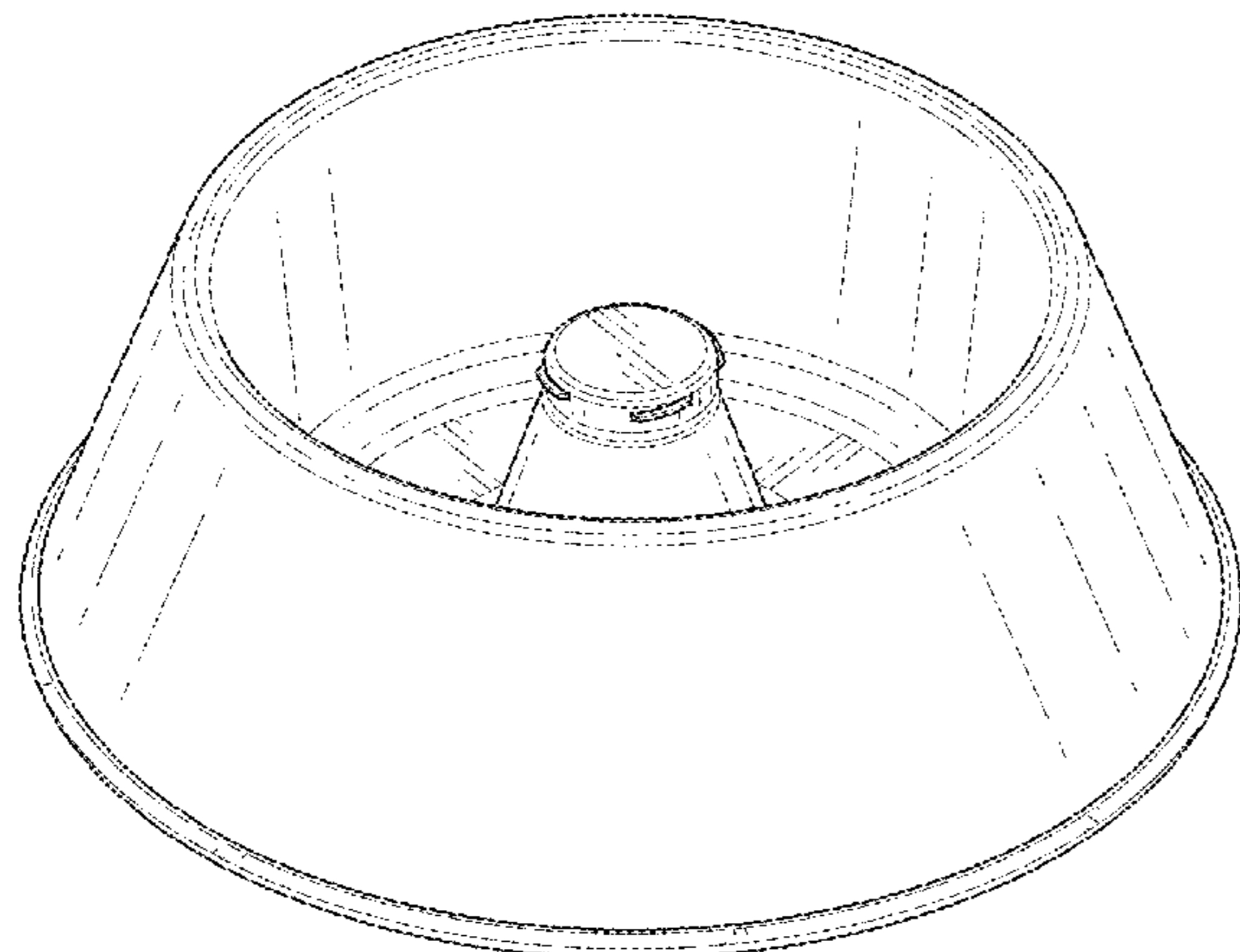
(57) **CLAIM**

We claim the ornamental design for a dog bowl set, as shown and described.

DESCRIPTION

FIG. 1 is a top perspective view of a dog bowl set showing my new design;
FIG. 2 is a bottom perspective view thereof;
FIG. 3 is a right-side elevation view thereof;
FIG. 4 is a left-side elevation view thereof;
FIG. 5 is a front elevation view thereof;
FIG. 6 is a back elevation thereof;
FIG. 7 is a top plan view thereof;
FIG. 8 is a bottom plan view thereof; and,
FIG. 9 is a cross-sectional front view taken along and in the direction of line 9-9 in FIG. 7.

1 Claim, 9 Drawing Sheets



(56)

References Cited

U.S. PATENT DOCUMENTS

2016/0165841 A1* 6/2016 Banks A01K 7/02
119/72
2016/0198676 A1* 7/2016 Wooten A01K 5/00
119/61.52

OTHER PUBLICATIONS

“Nicelock Stainless Steel Puppy Bowl” available Dec. 18, 2021, [online], [site visited Feb. 8, 2023]. Retrieved from Internet, URL:<https://www.amazon.com/Stainless-Preventing-Indigestion-Eco-Friendly-Small-2-5Cup/dp/B09ZXVYBYR?th=1> (Year: 2021).*

* cited by examiner

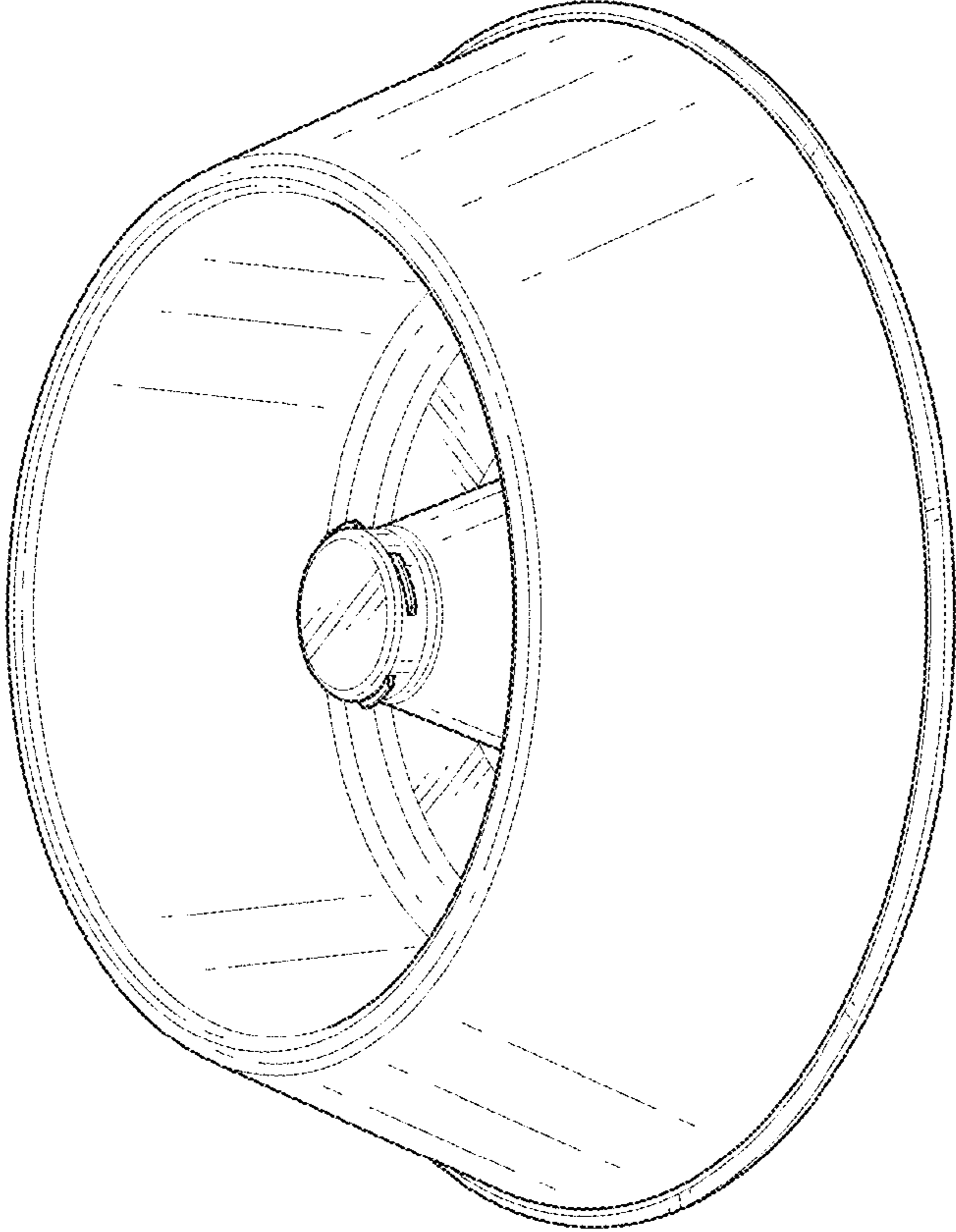
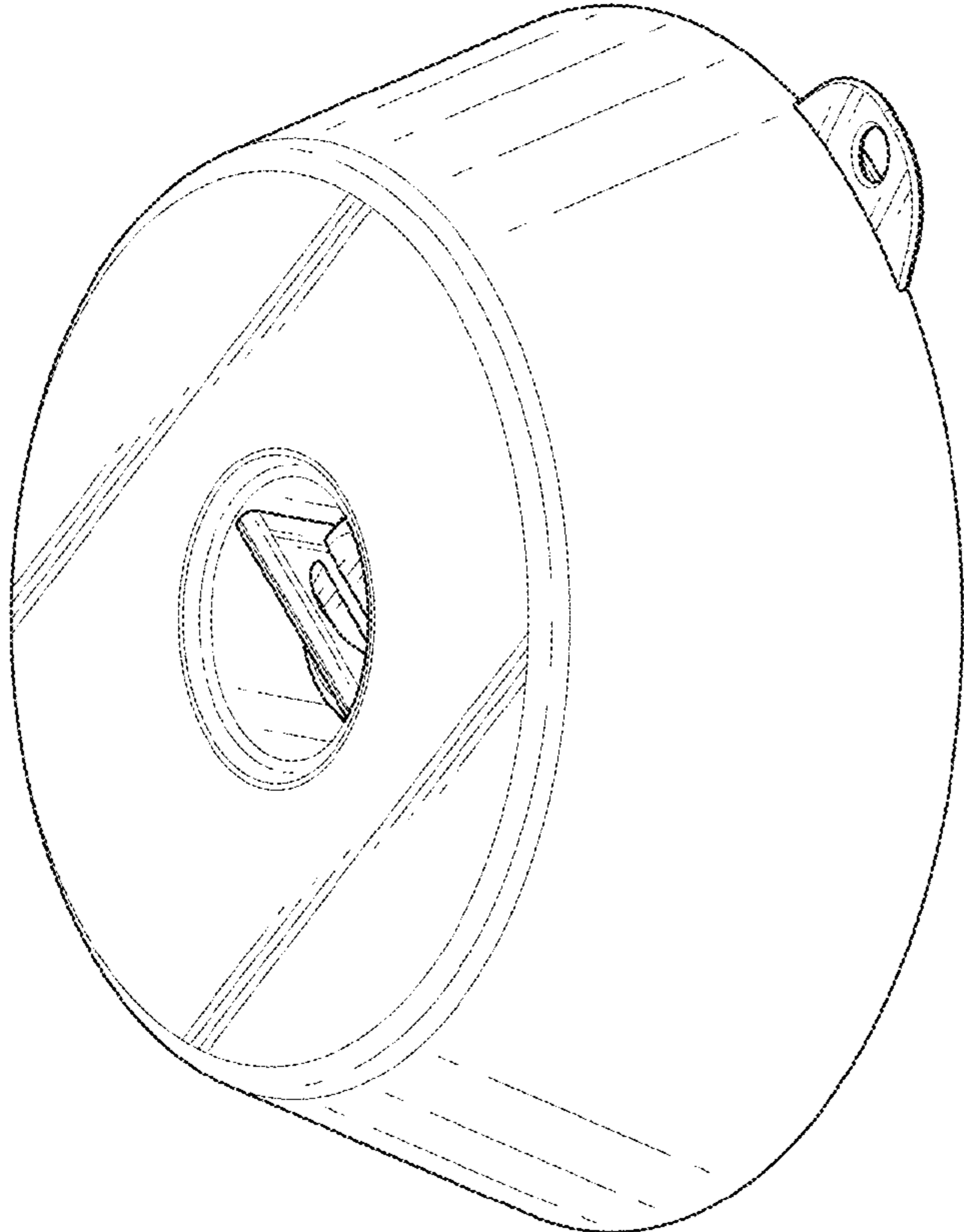


FIG. 1

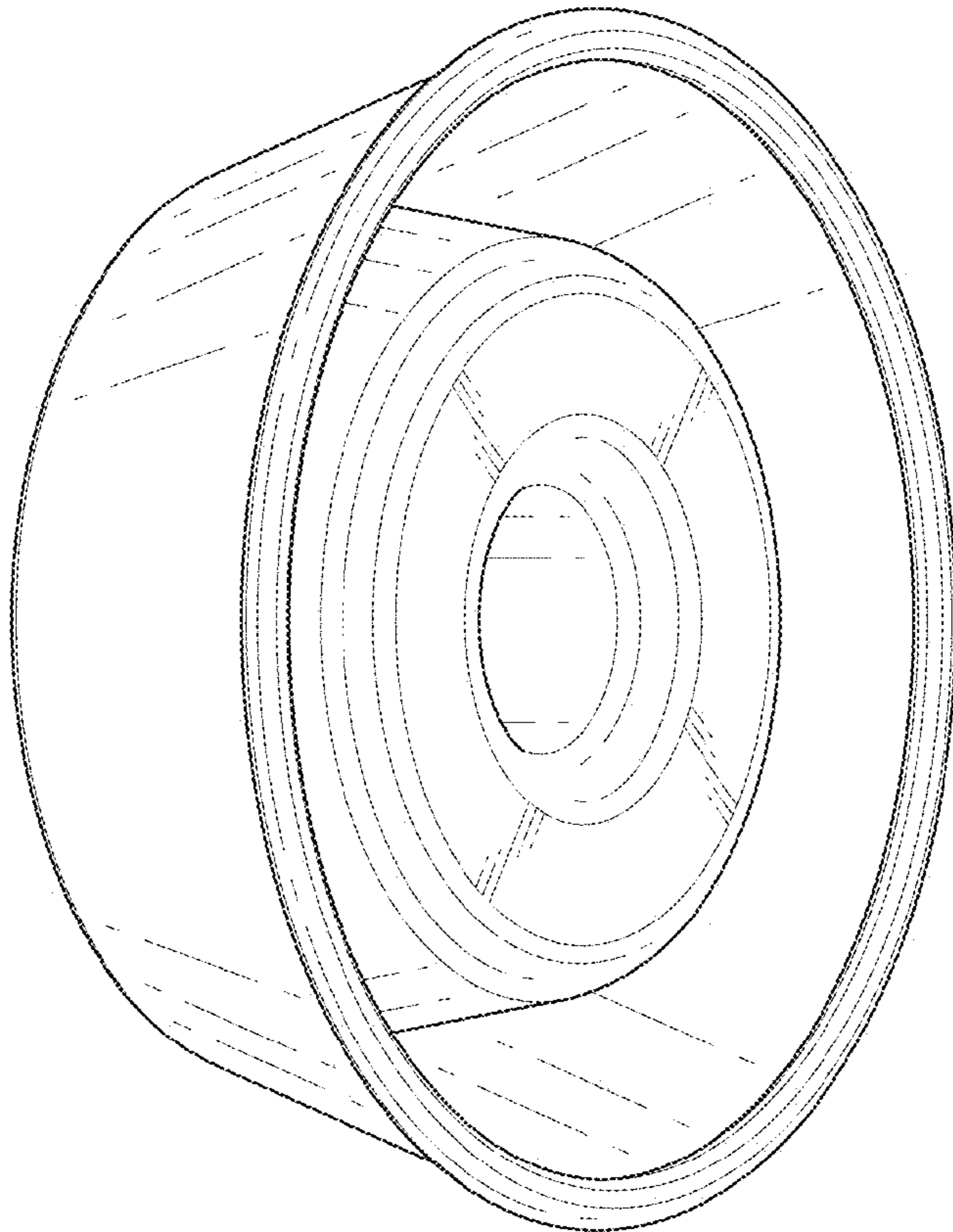
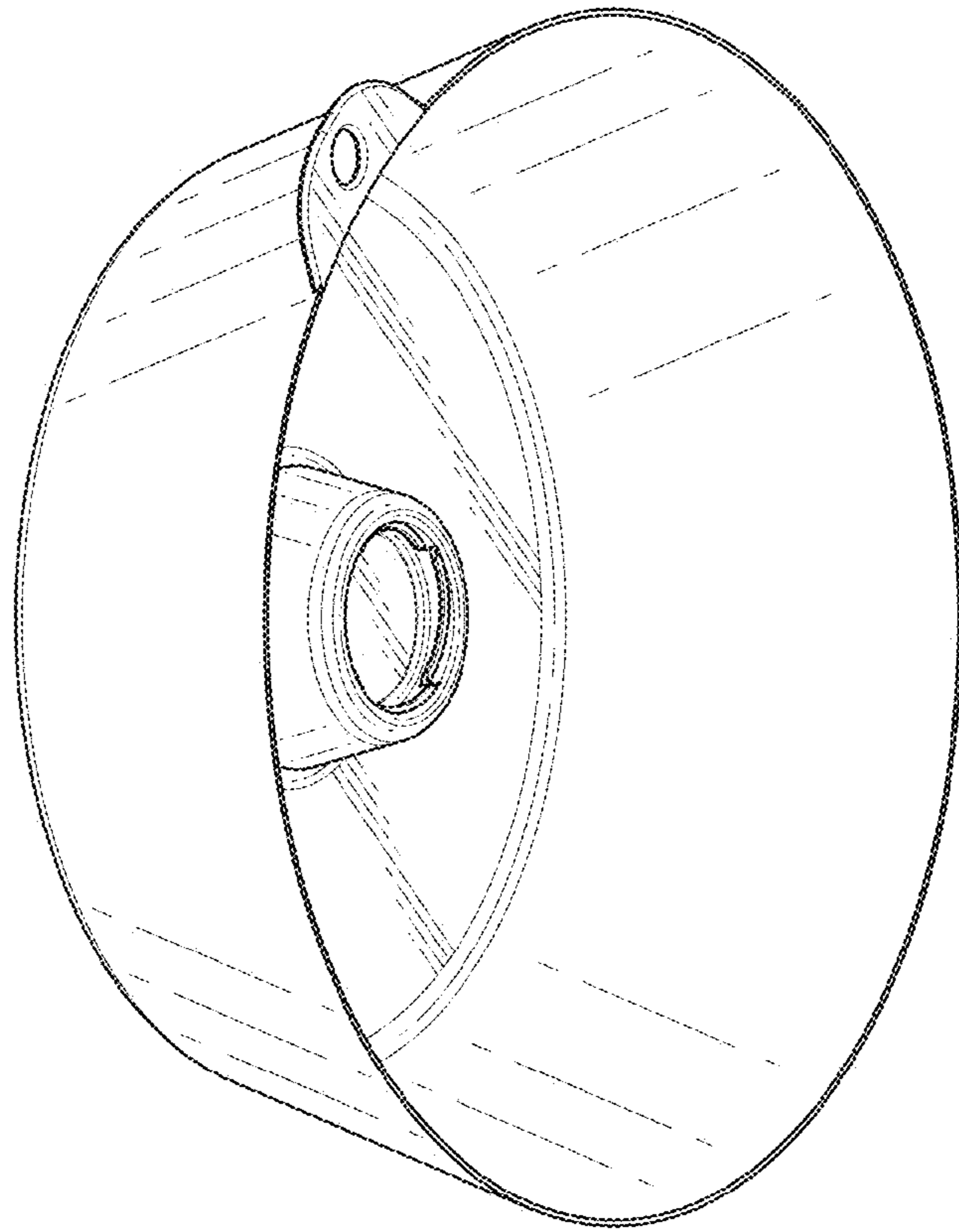


FIG. 2

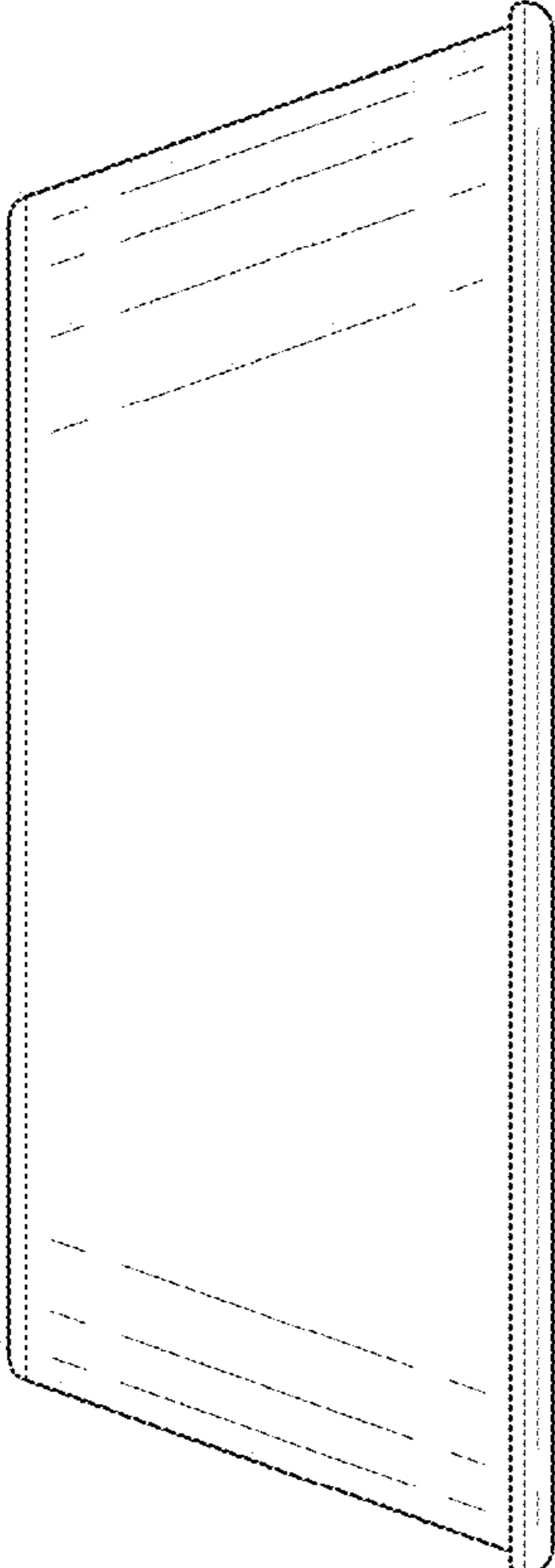
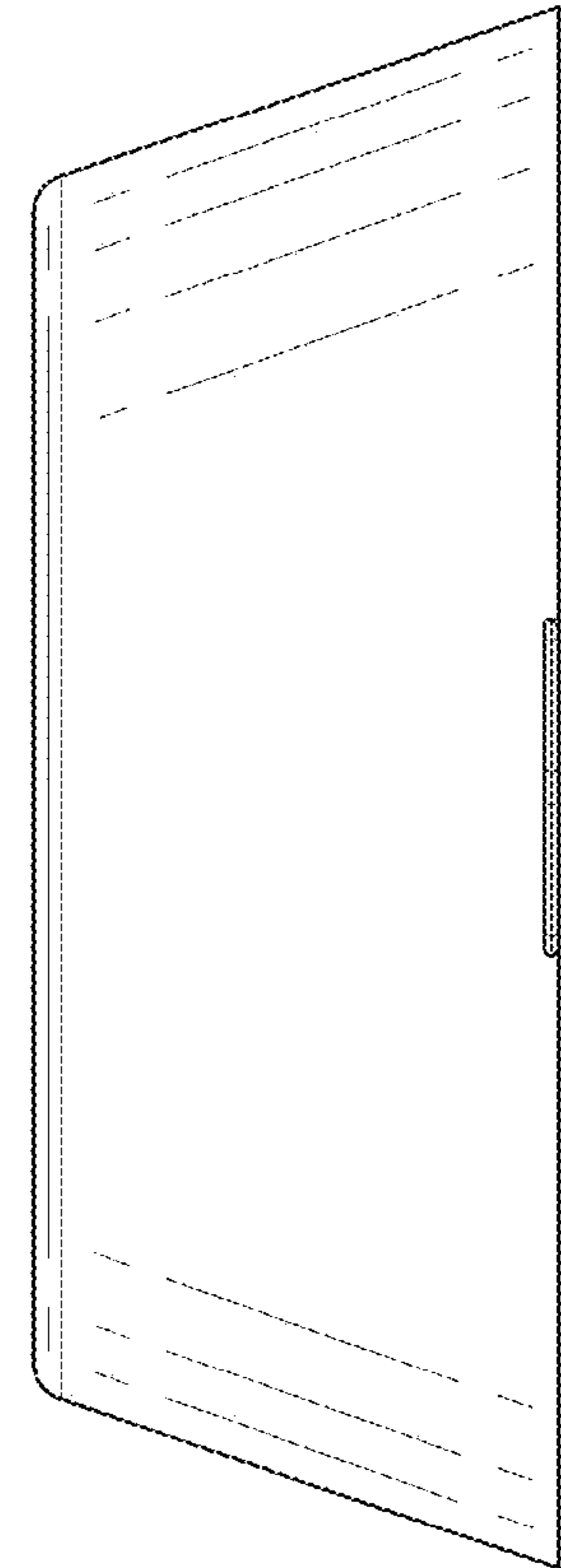


FIG. 3

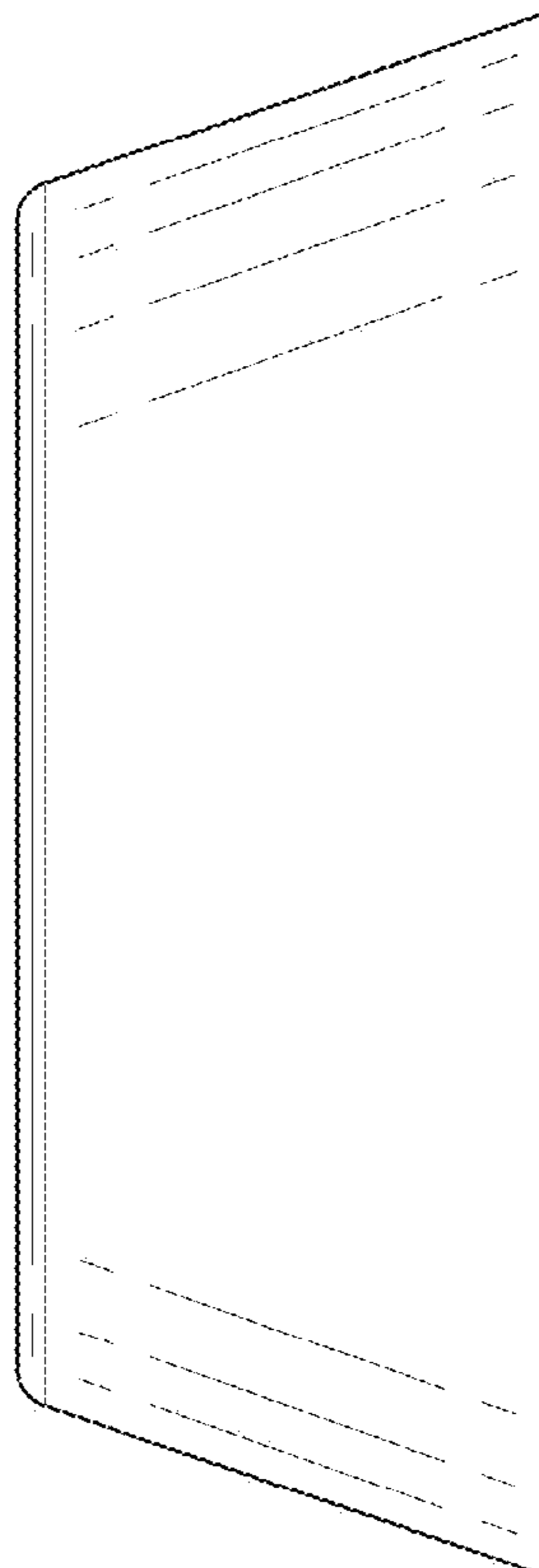
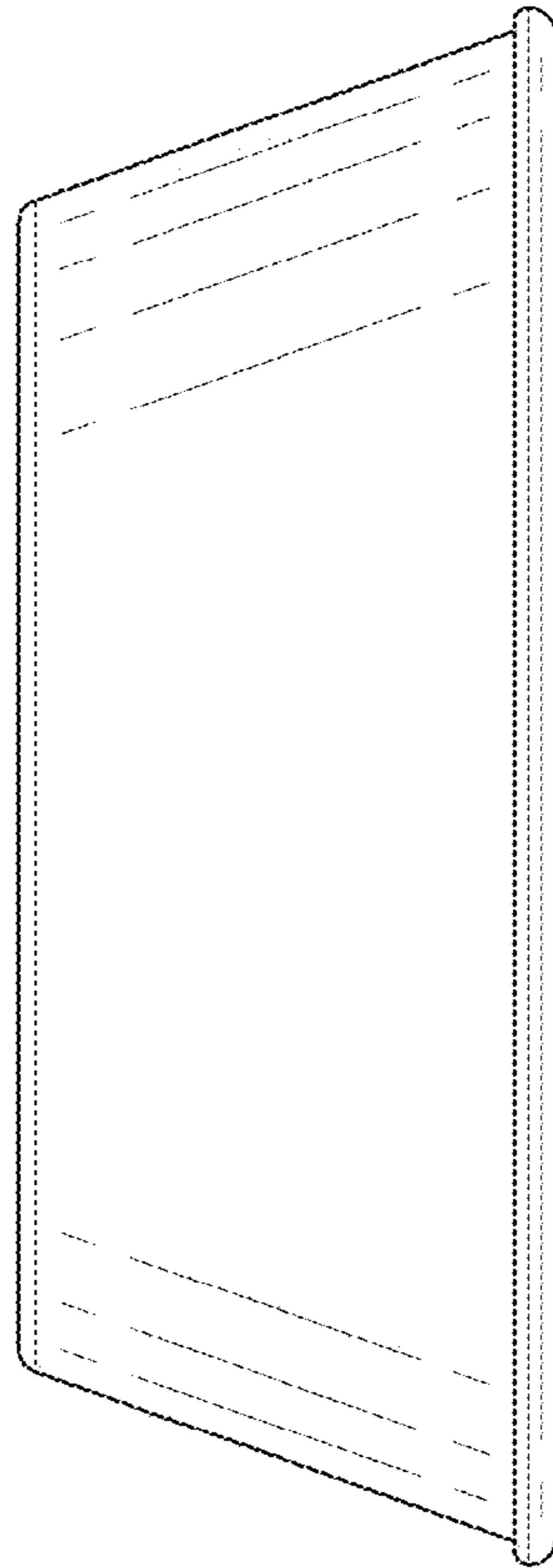


FIG. 4

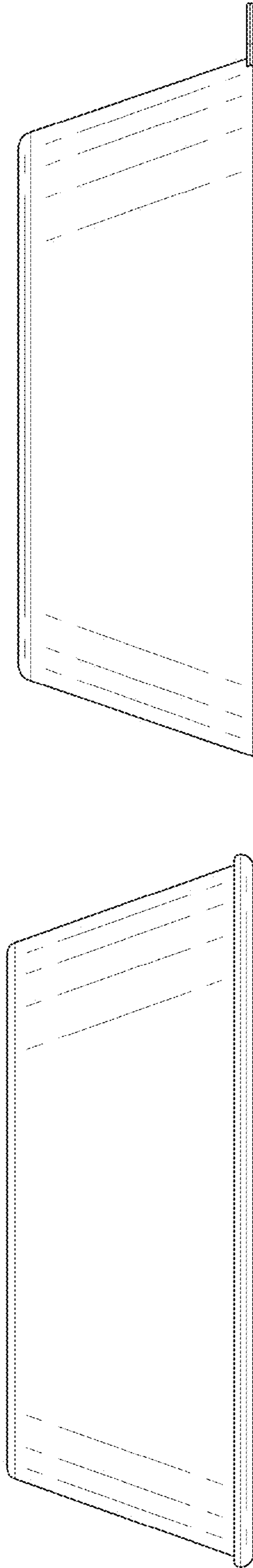


FIG. 5

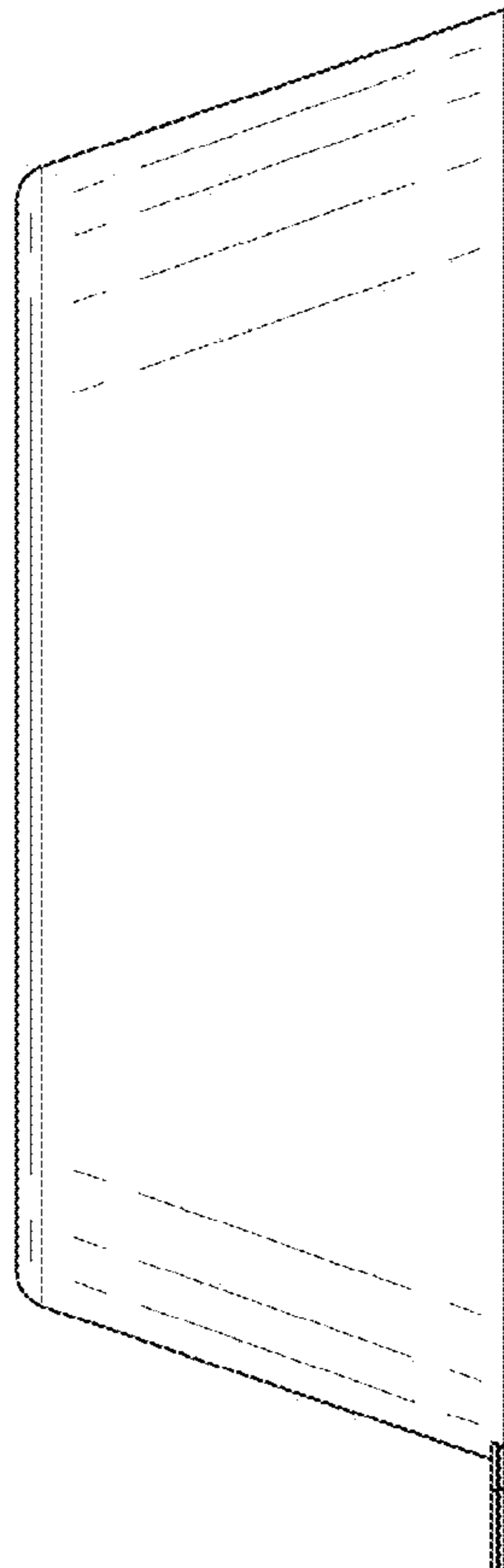
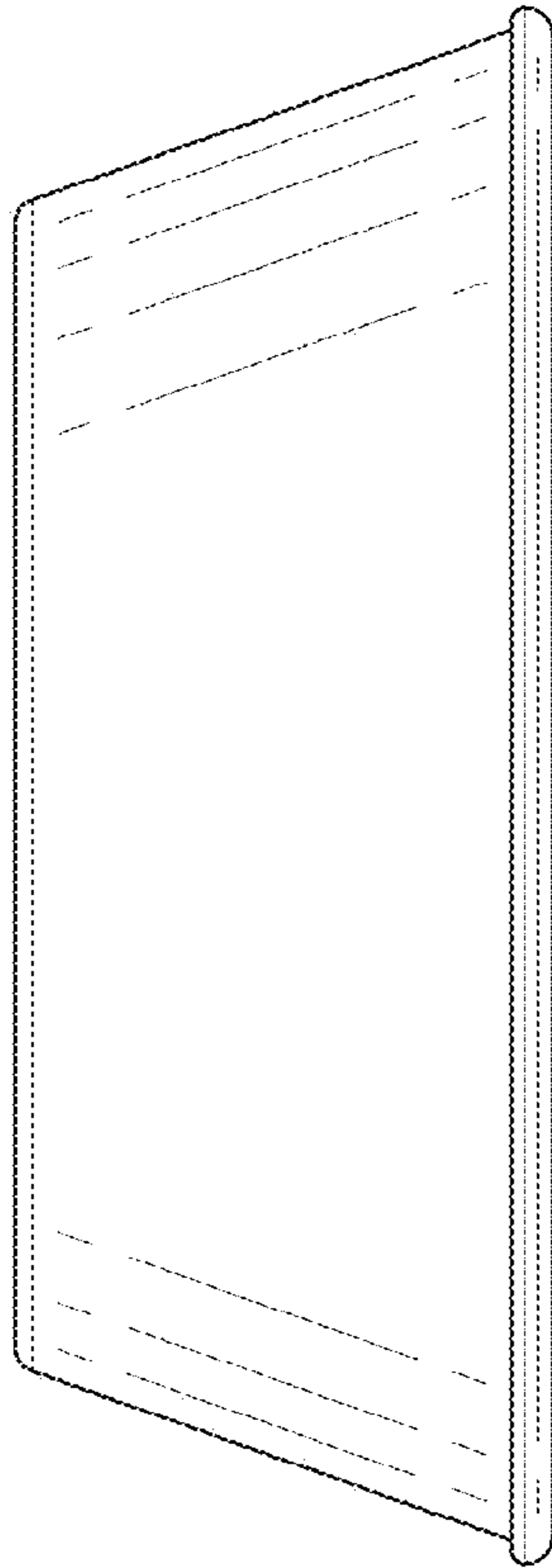


FIG. 6

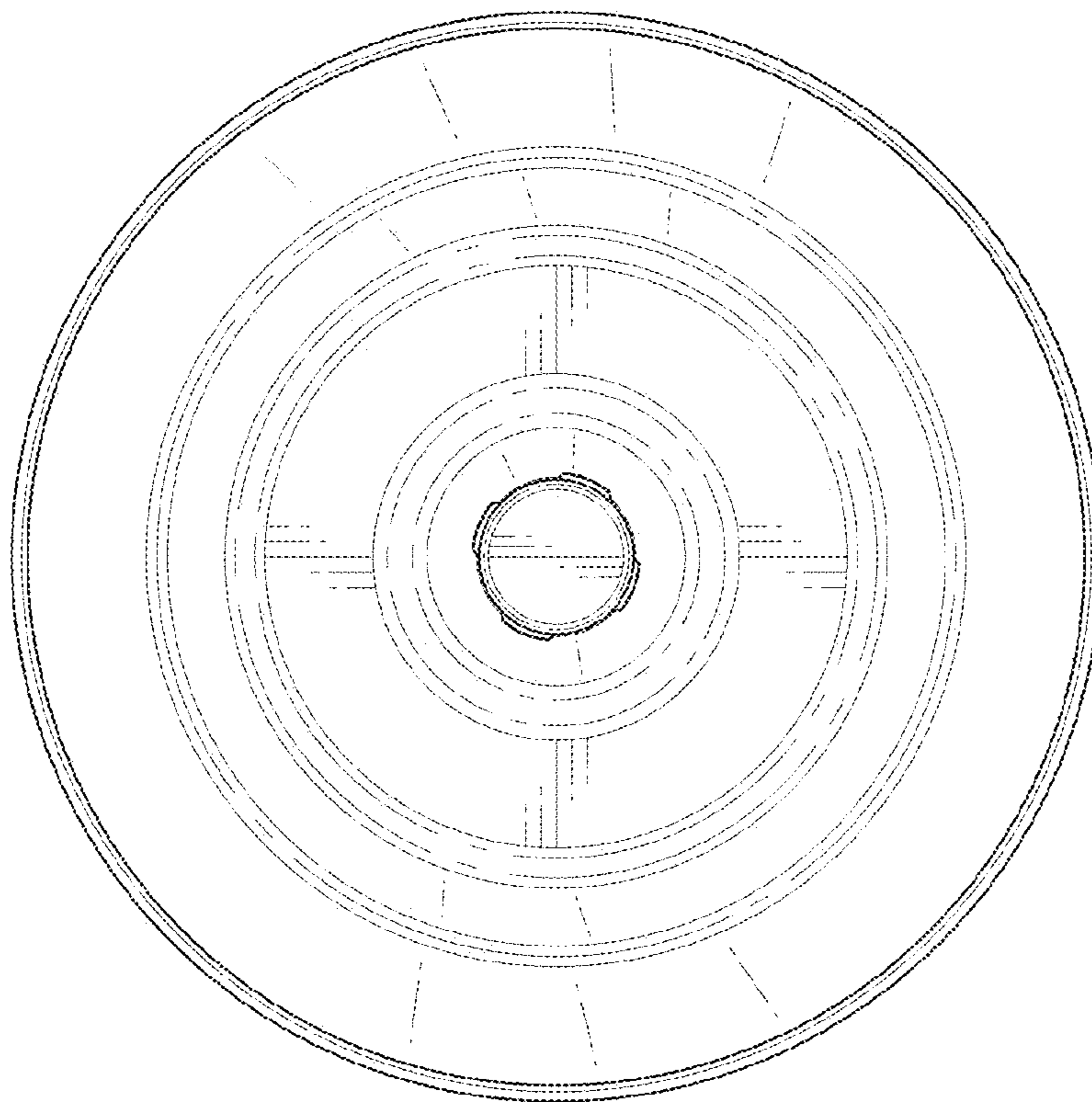
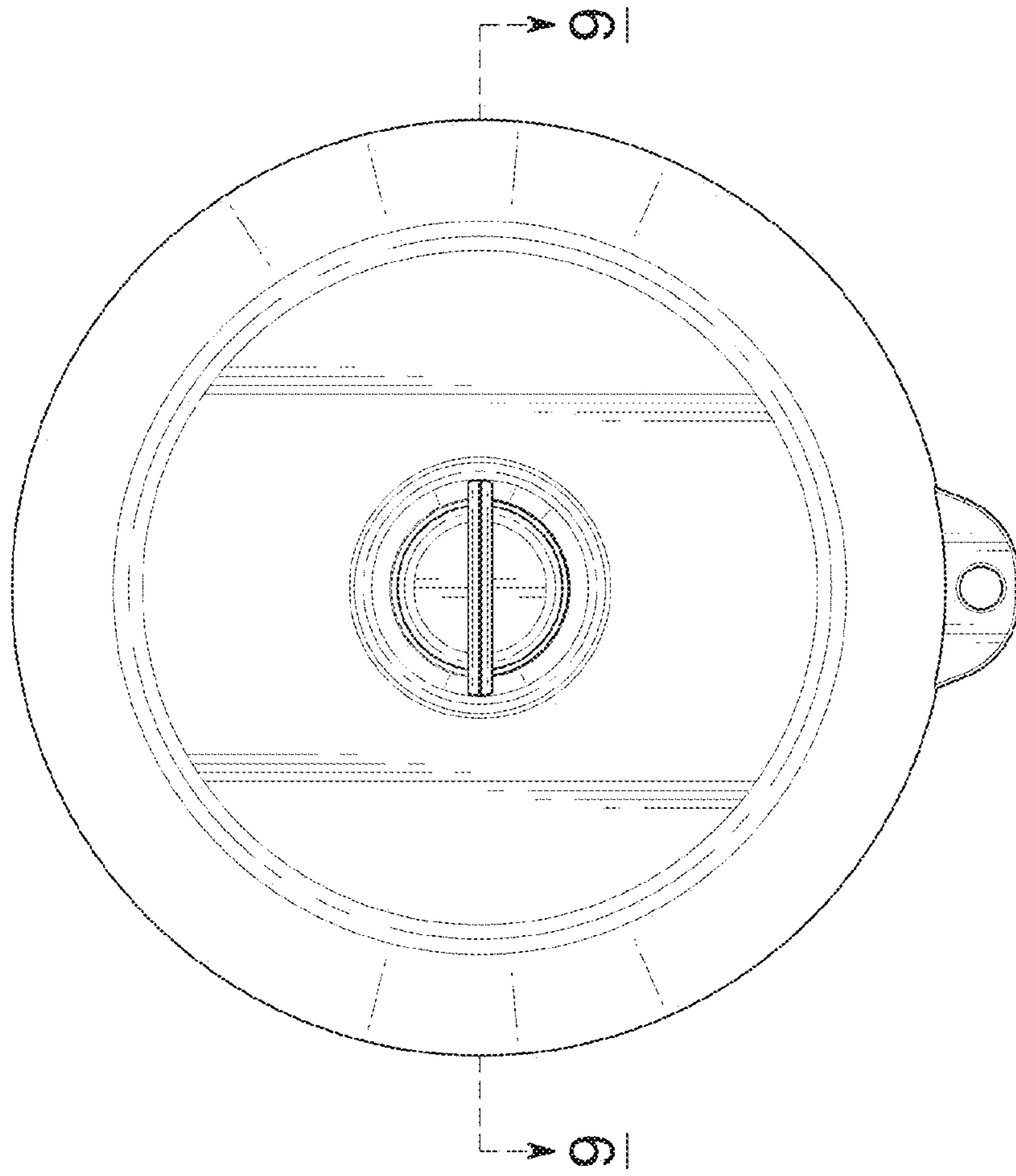


FIG. 7

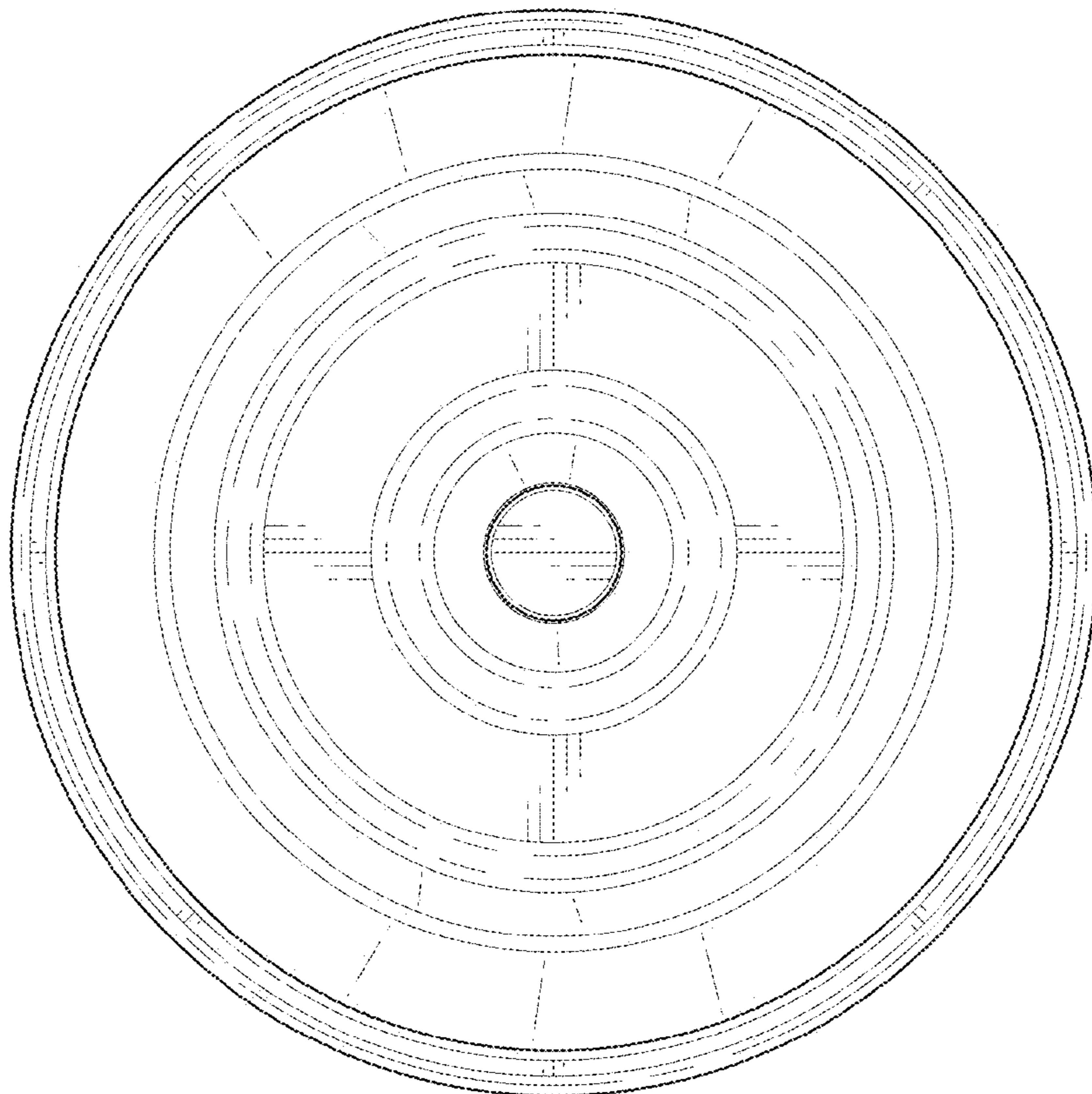
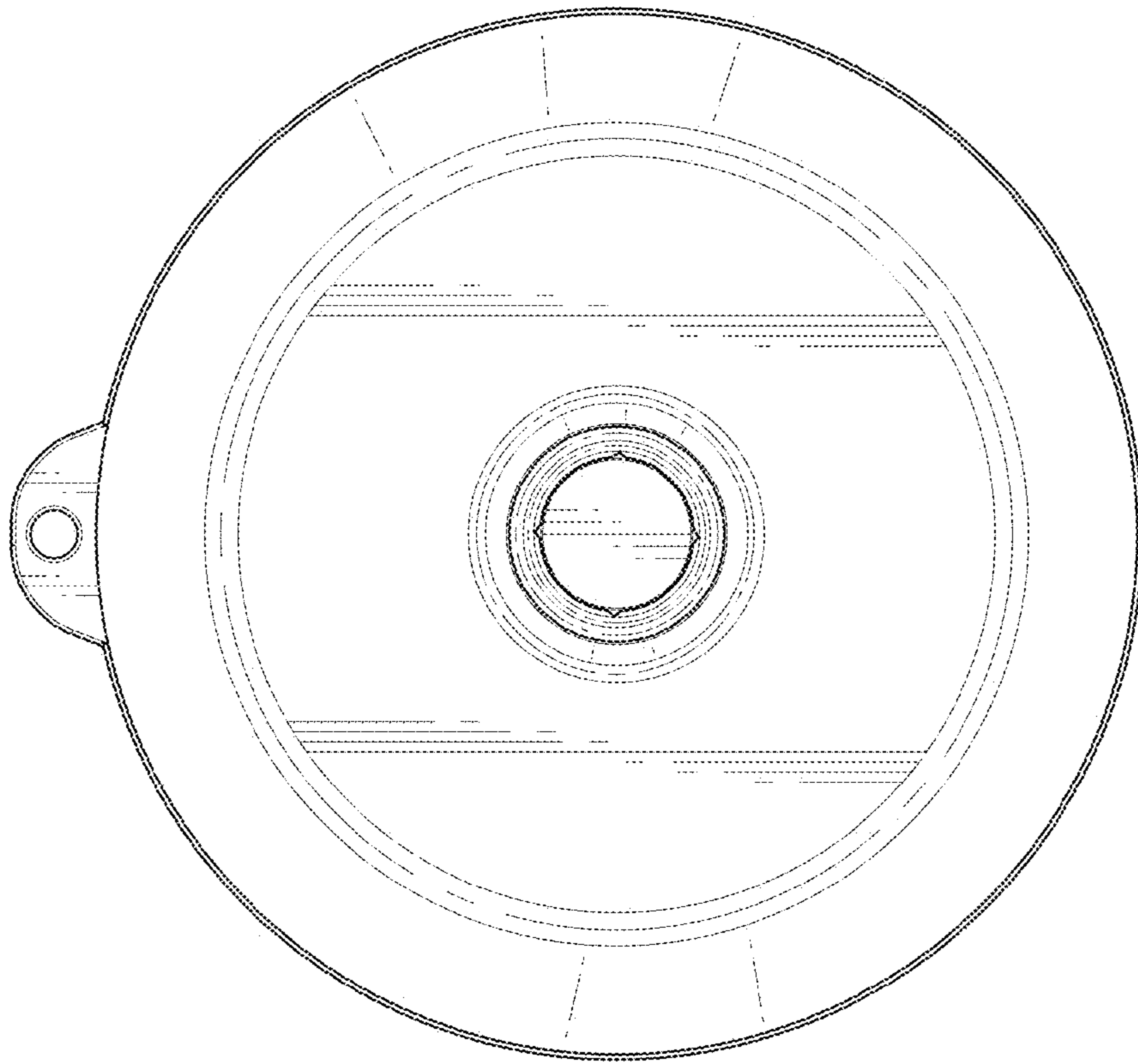


FIG. 8

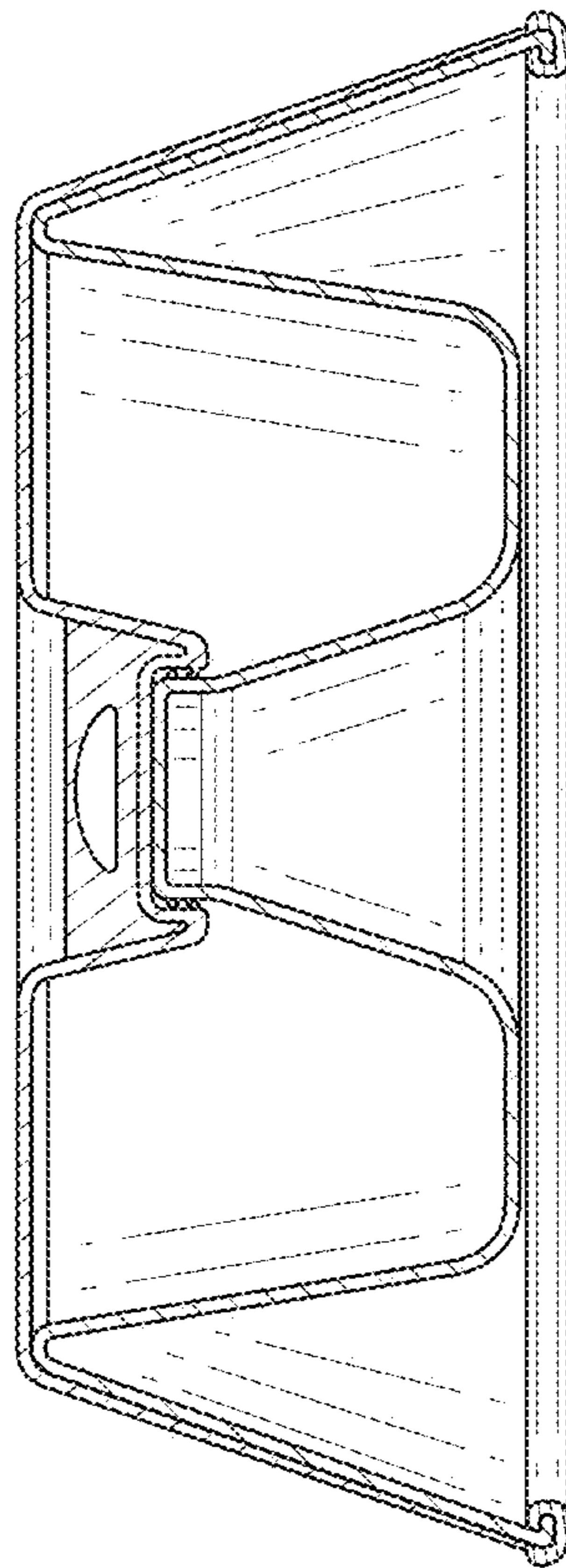


FIG. 9