



US00D985853S

(12) **United States Design Patent** (10) **Patent No.:** **US D985,853 S**
Du (45) **Date of Patent:** **** May 9, 2023**

(54) **TRANSPORT BOX FOR PETS**

(71) Applicant: **Cixi Ebest Commodity Co., Ltd.**, Ningbo (CN)

(72) Inventor: **WeiHua Du**, Ningbo (CN)

(73) Assignee: **CIXI EBEST COMMODITY CO., LTD.**, Ningbo (CN)

(**) Term: **15 Years**

(21) Appl. No.: **29/783,195**

(22) Filed: **May 12, 2021**

(30) **Foreign Application Priority Data**

Apr. 21, 2021 (CN) 202130228294.4

(51) **LOC (14) Cl.** **30-02**

(52) **U.S. Cl.**
USPC **D30/109**

(58) **Field of Classification Search**
USPC D30/108, 109, 112, 113, 114, 115, 116,
D30/117, 119, 160, 199; D3/273, 276,
D3/282, 288, 294, 305

(Continued)

(56) **References Cited**

U.S. PATENT DOCUMENTS

D168,650 S * 1/1953 McKee D30/109
D189,237 S * 11/1960 Hufeisen D30/109

(Continued)

FOREIGN PATENT DOCUMENTS

CN 306725096 * 7/2021
EM 008564330-0001 * 6/2021
KR 301163643.0000 * 5/2022

OTHER PUBLICATIONS

Iris Ohyama, Foldable pet carrier / transport box, posted Jan. 1, 2012 [online], [retrieved Dec. 7, 2022]. Retrieved from internet <https://www.amazon.co.uk/Iris-Ohyama-Transport-Box-Blue/dp/B00JRDXDHQ0?th=1> (Year: 2012).*

(Continued)

Primary Examiner — Nicole C Shiflet

Assistant Examiner — Emily A Caven

(74) *Attorney, Agent, or Firm* — Chun-Ming Shih; Lanway IPR Services

(57) **CLAIM**

The ornamental design for a transport box for pets, as shown and described.

DESCRIPTION

FIG. 1 is a front perspective view of a transport box for pets showing the new design;

FIG. 2 is a back perspective view thereof;

FIG. 3 is another perspective view in an open configuration thereof;

FIG. 4 is a front view thereof;

FIG. 5 is a rear view thereof;

FIG. 6 is a left side elevational view thereof;

FIG. 7 is a right side elevational view thereof;

FIG. 8 is a top view thereof;

FIG. 9 is a bottom view thereof;

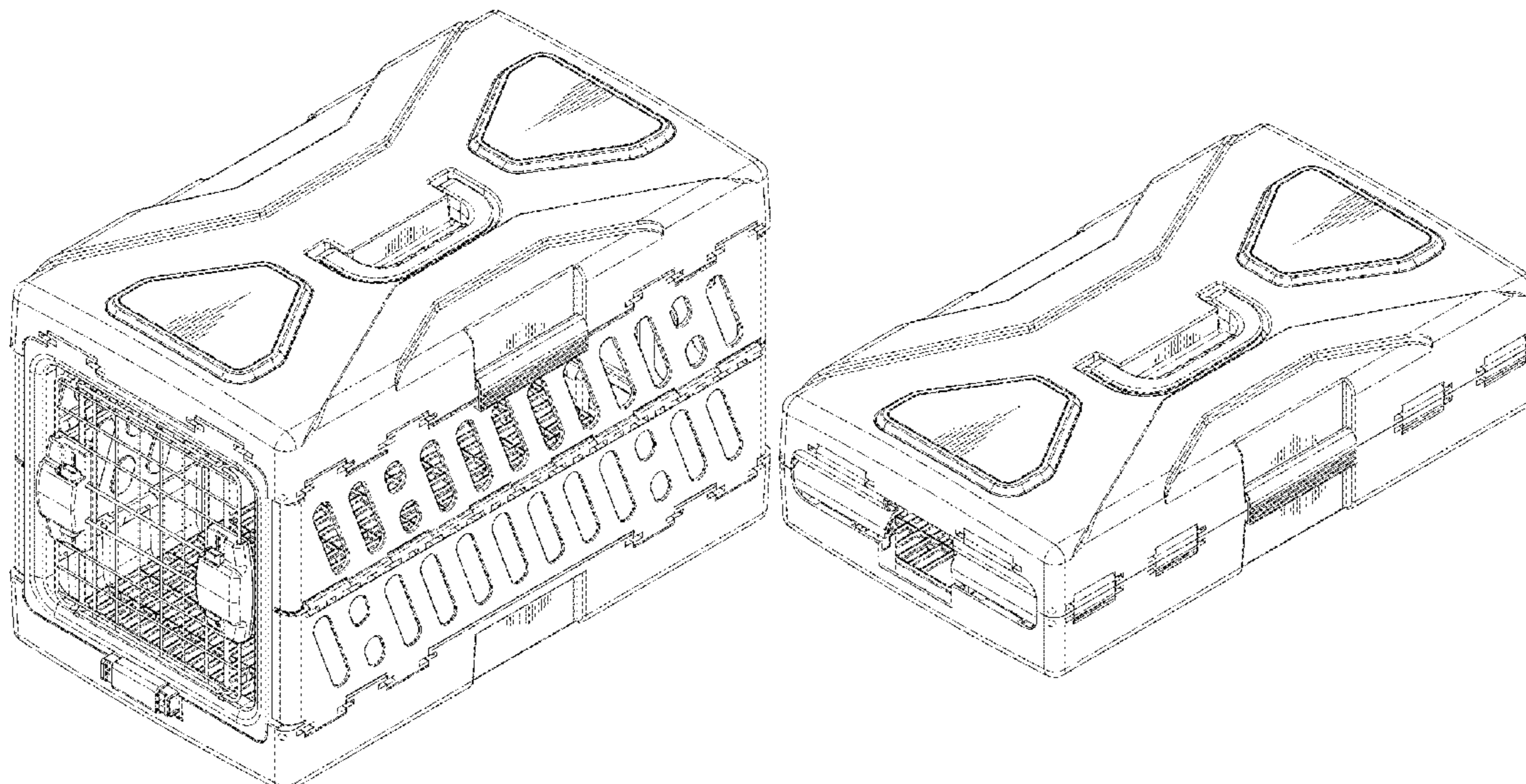
FIG. 10 is a front perspective view, shown in a folded configuration;

FIG. 11 is another front perspective view, shown in a folded configuration; and,

FIG. 12 is a partial enlarged perspective view of a portion labeled 12 in FIG. 3.

The dashed broken lines illustrate portions of the article that form no part of the claimed design, and the dash-dot-dash broken lines define the bounds of the enlarged areas in FIGS. 3 and 12, and form no part of the claimed design.

1 Claim, 12 Drawing Sheets



(58) **Field of Classification Search**

CPC .. A01K 15/0125; A01K 15/02; A01K 15/025;
A01K 15/035; A01K 15/031; A01K
1/0035; A01K 1/0125; A01K 1/0245;
A01K 1/0254; A01K 1/029; A01K 1/03;
A01K 1/031; A01K 1/032; A01K 1/033;
A01K 1/034; A01K 31/002; A01K
31/005; A01K 31/07; A01K 31/08; A01D
45/005; B65D 85/50; B65D 5/4295;
B65D 11/18; B65D 2205/00; B65D
2205/02

See application file for complete search history.

(56)

References Cited

U.S. PATENT DOCUMENTS

4,590,885 A * 5/1986 Sugiura A01K 31/08
119/497
D308,429 S * 6/1990 VanSkiver D30/109

D312,333 S * 11/1990 Van Skiver D30/109
5,967,090 A * 10/1999 Hui A01K 1/03
119/497
6,131,534 A * 10/2000 Axelrod A01K 1/0245
119/497
6,216,638 B1 * 4/2001 Pivonka A01K 1/0245
119/498
7,021,242 B2 * 4/2006 Axelrod A01K 1/0245
119/498
8,235,008 B2 * 8/2012 Axelrod B65D 1/225
119/499

OTHER PUBLICATIONS

Richell Foldable Pet Carrier, posting date unavailable [online],
[retrieved Dec. 7, 2022]. Retrieved from internet <https://www.richellusa.com/pet-products/foldable-pet-carrier/> (Year: 2022).*

* cited by examiner

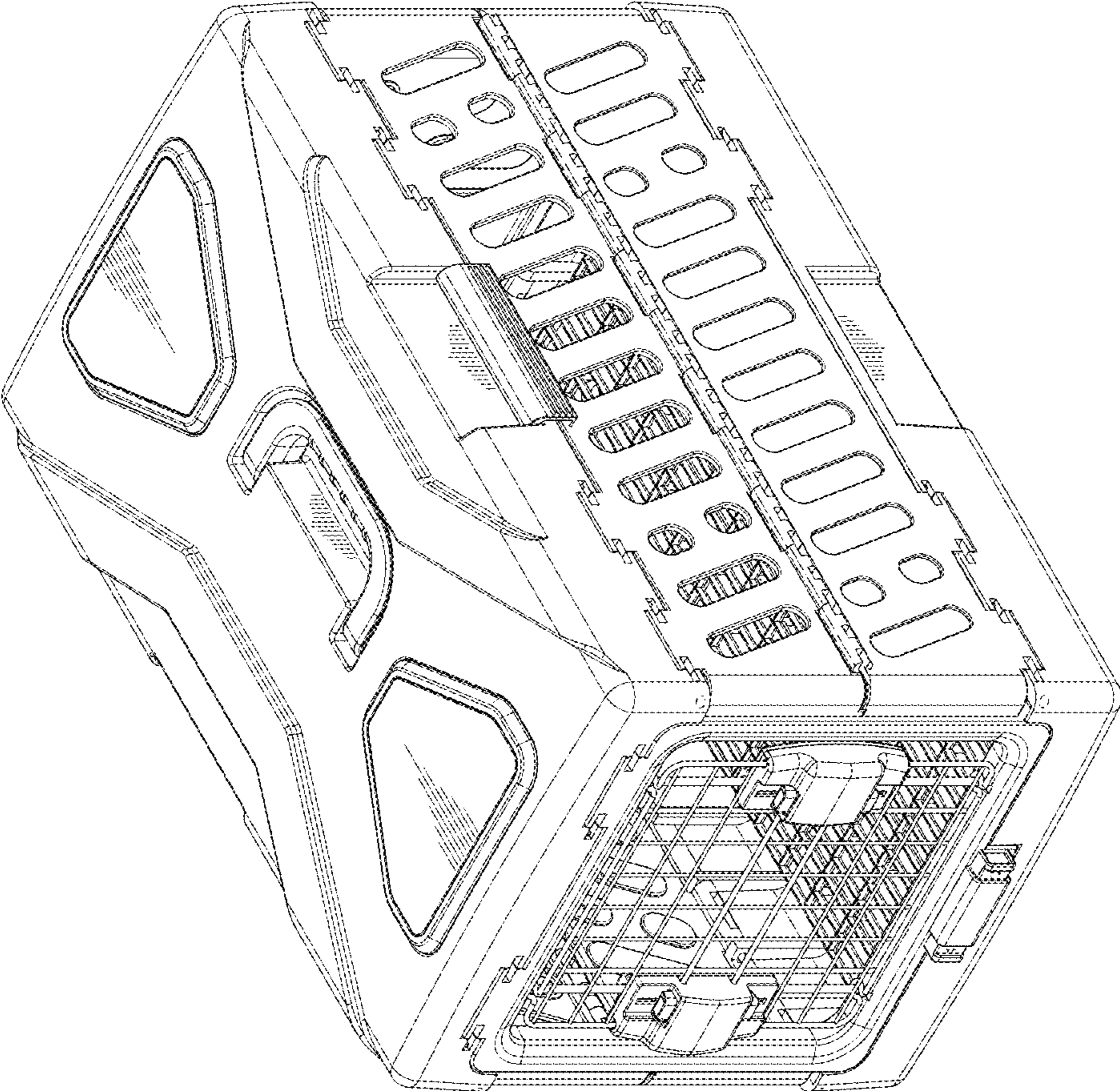


FIG.1

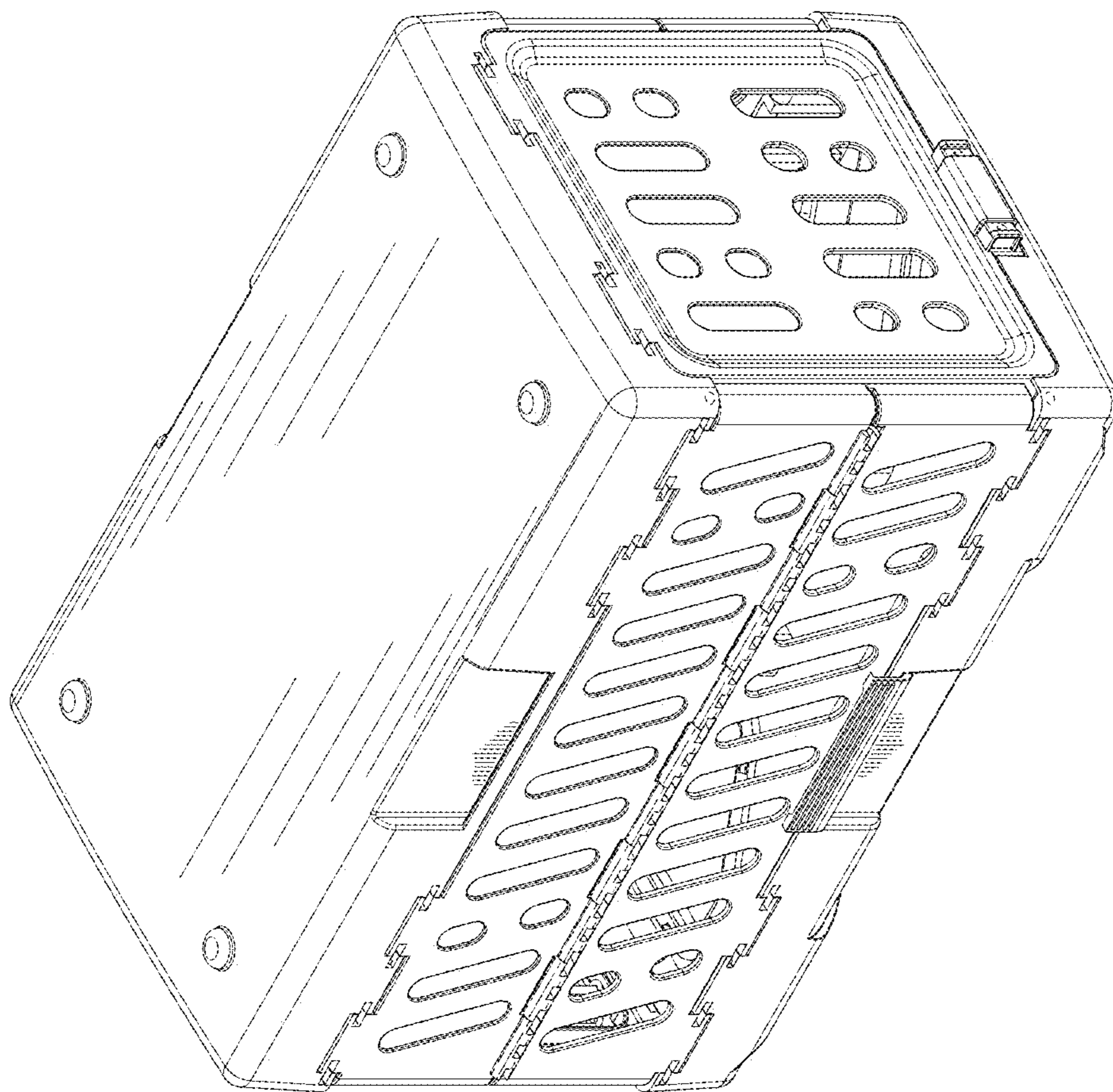


FIG.2

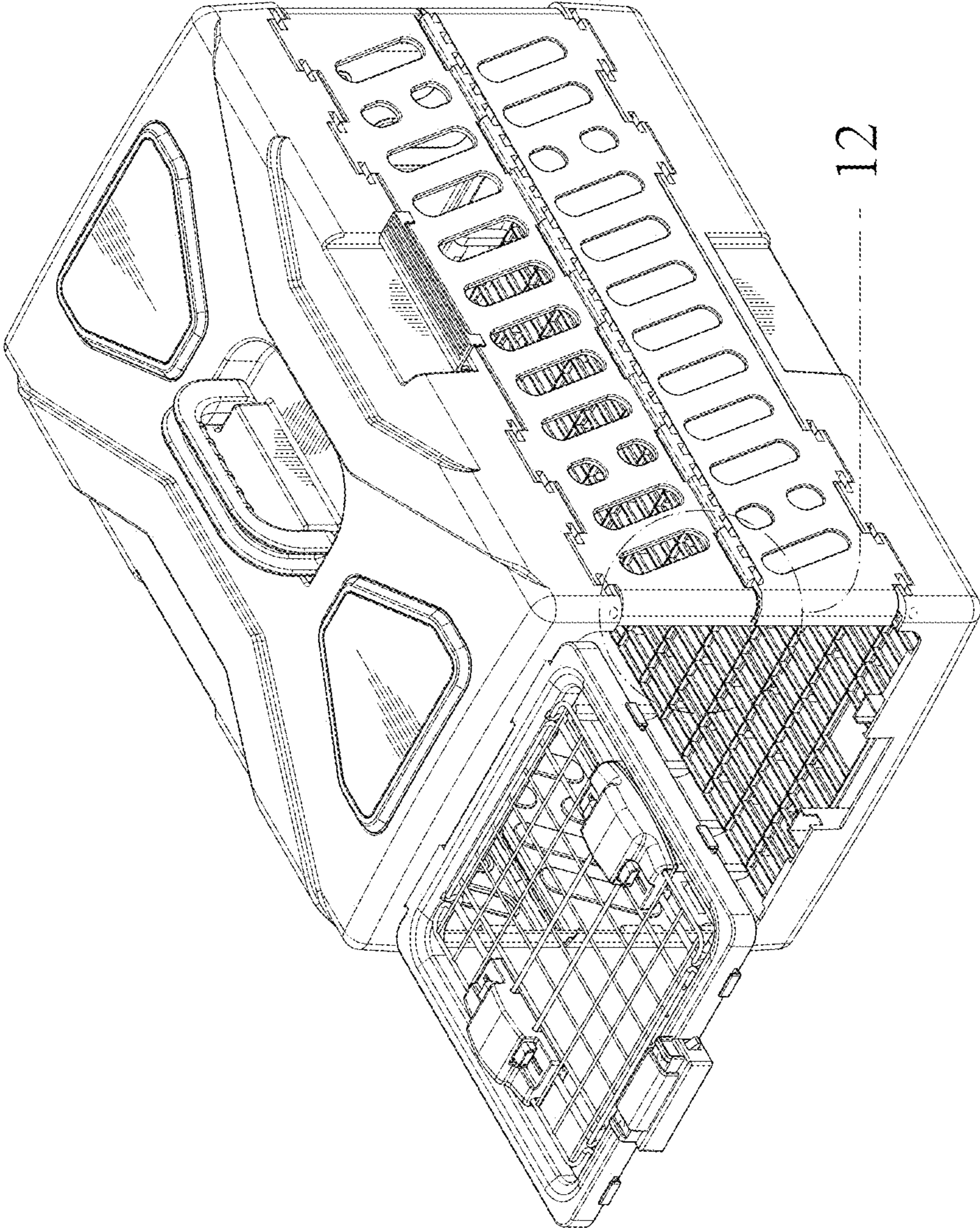


FIG.3

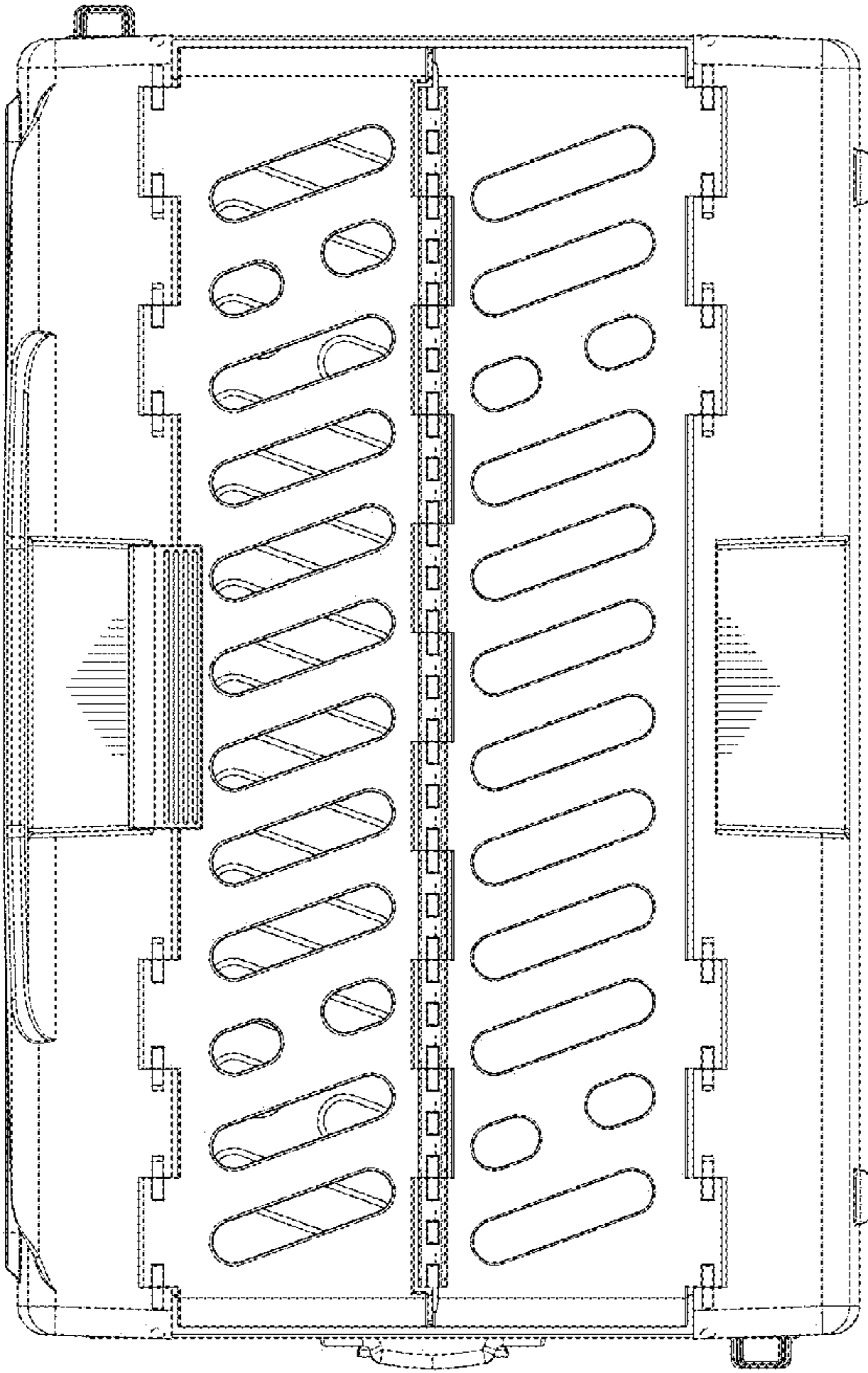


FIG.4

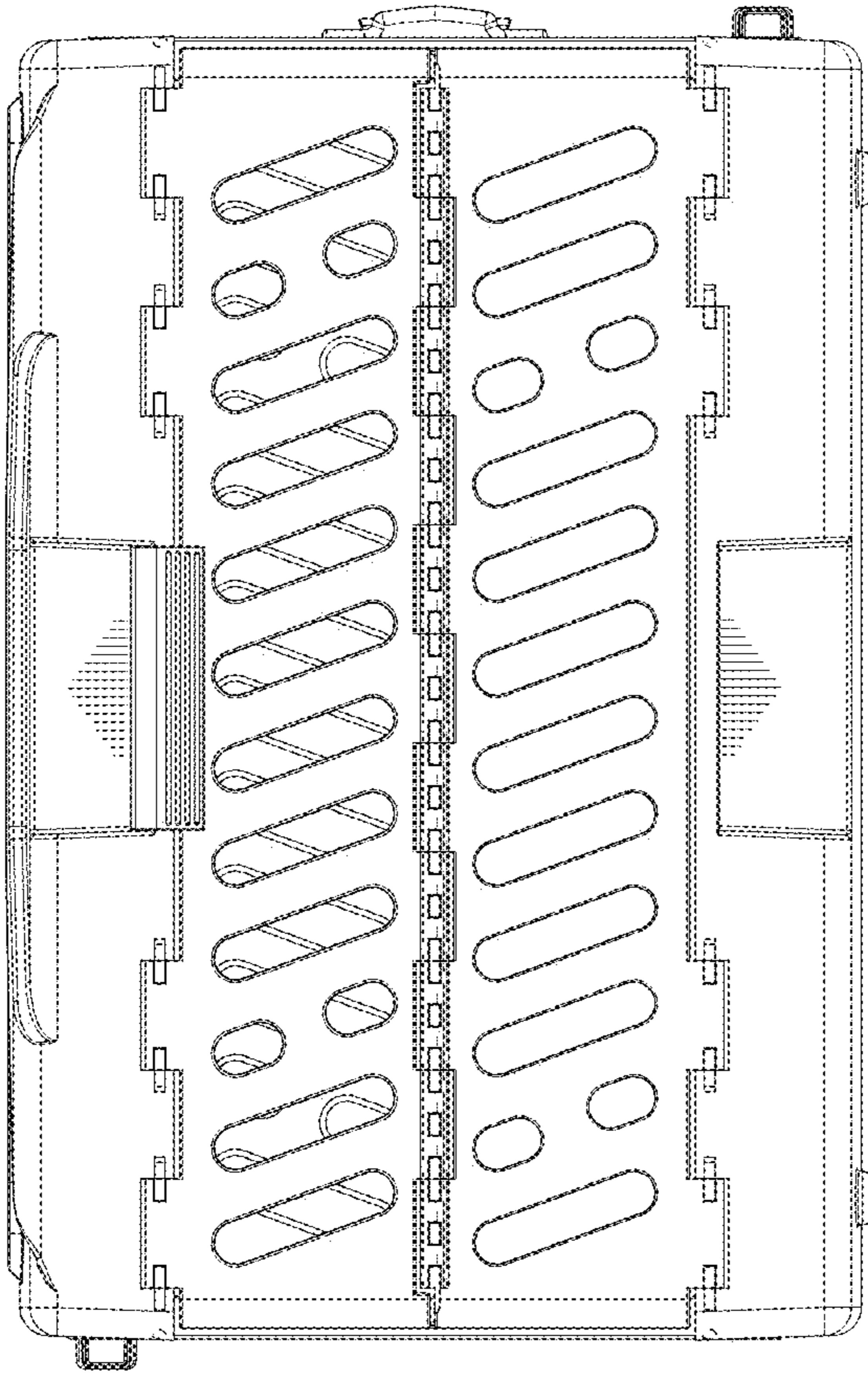


FIG.5

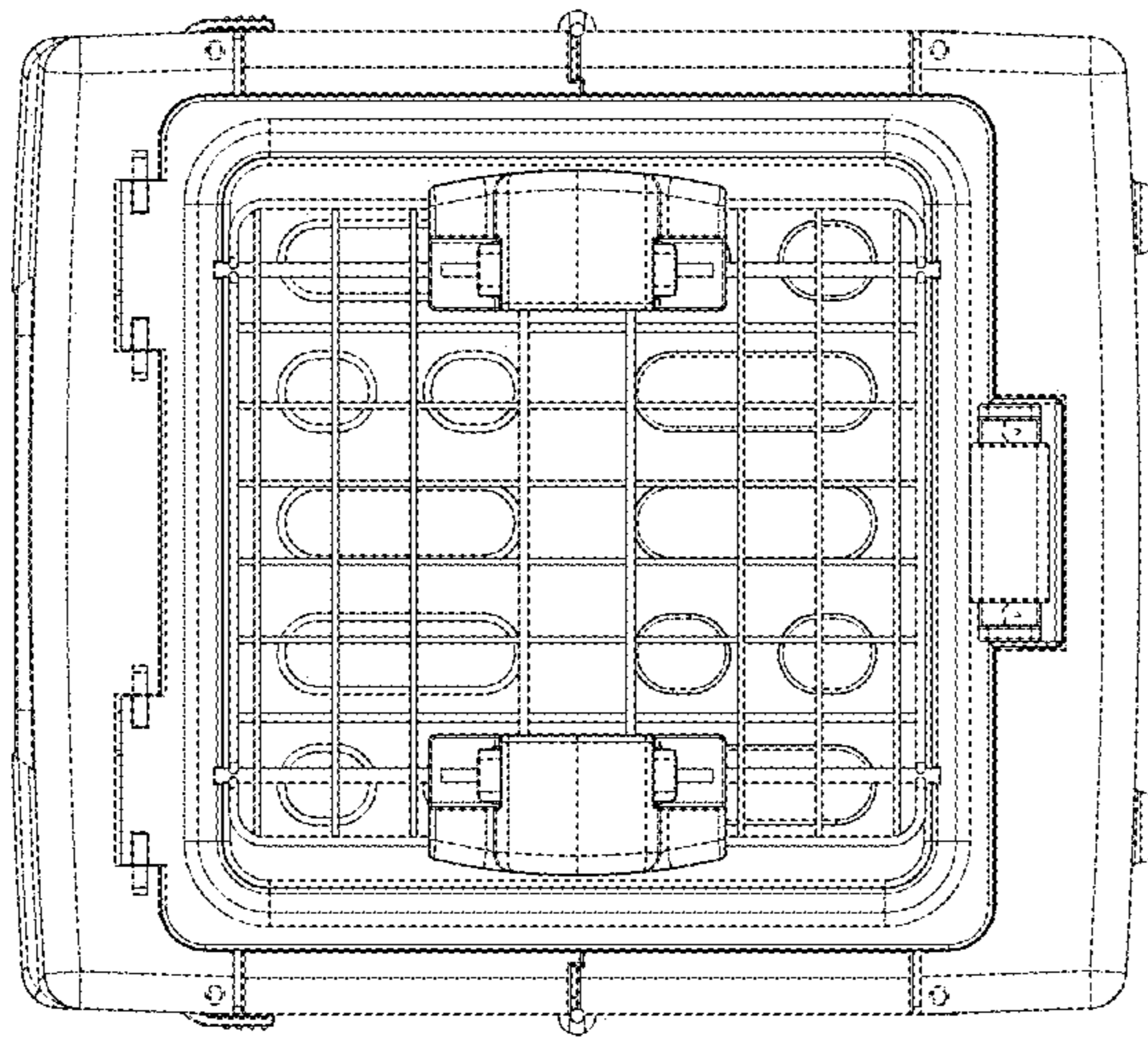


FIG.6

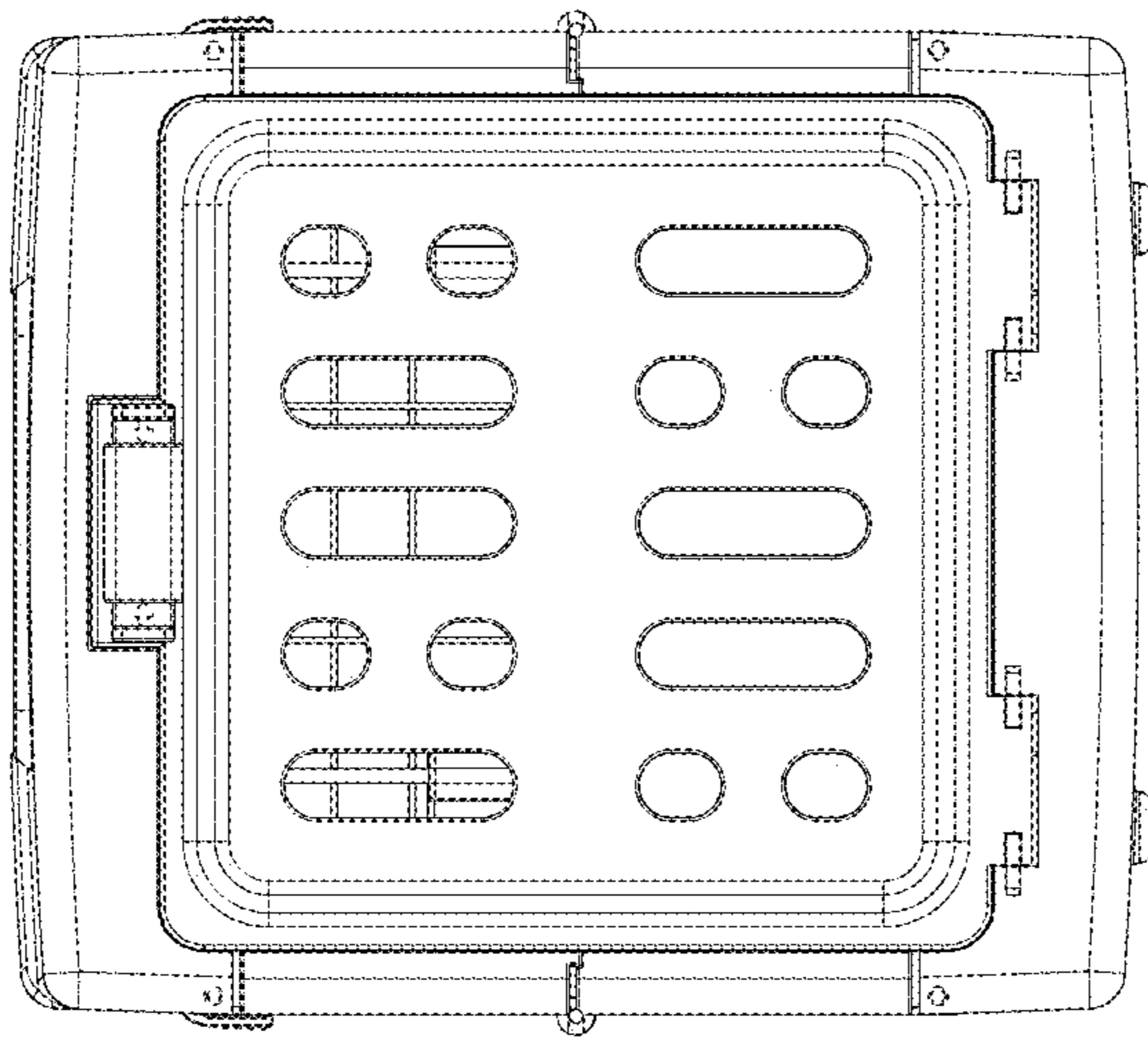


FIG.7

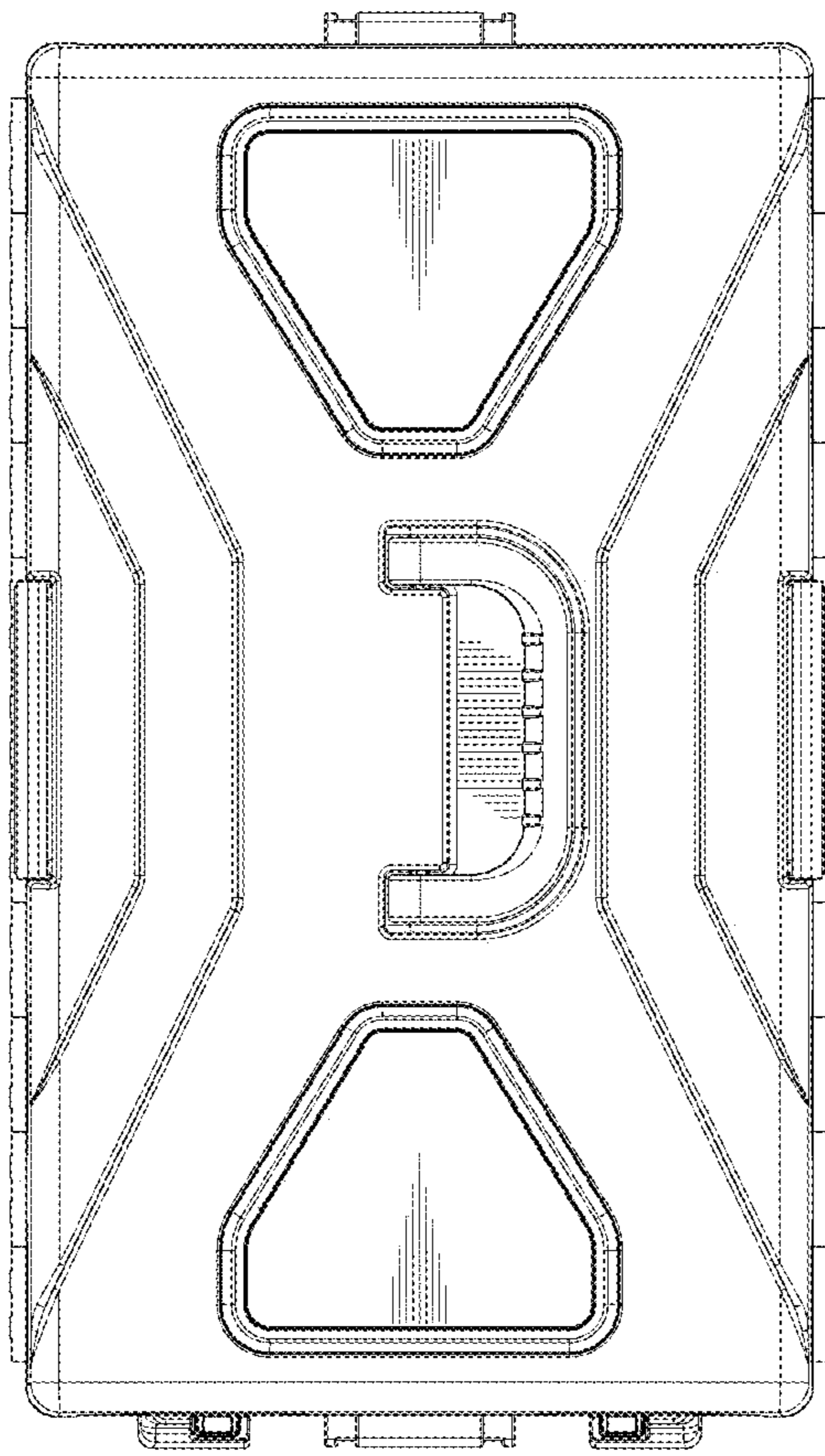


FIG. 8

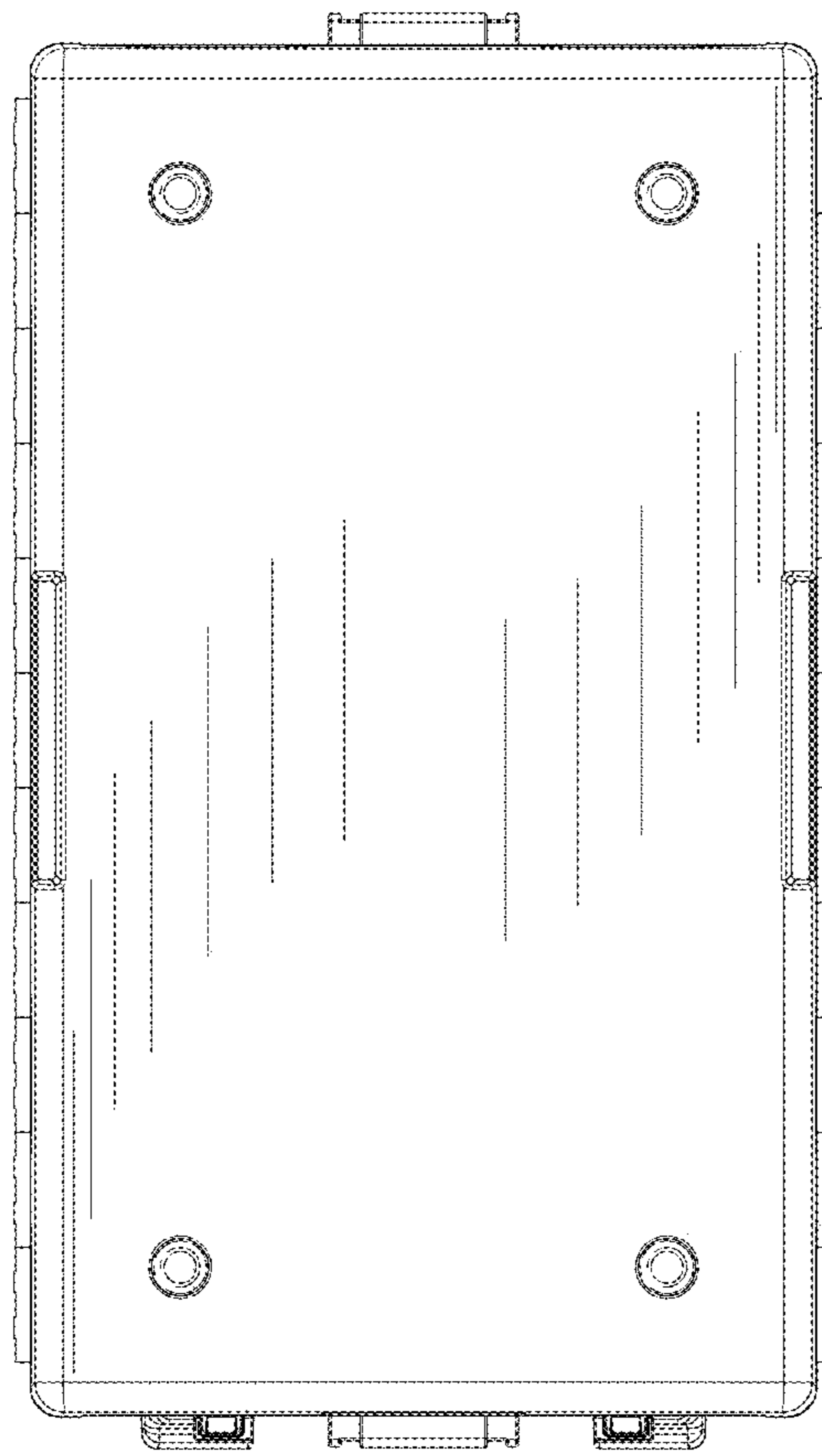


FIG. 9

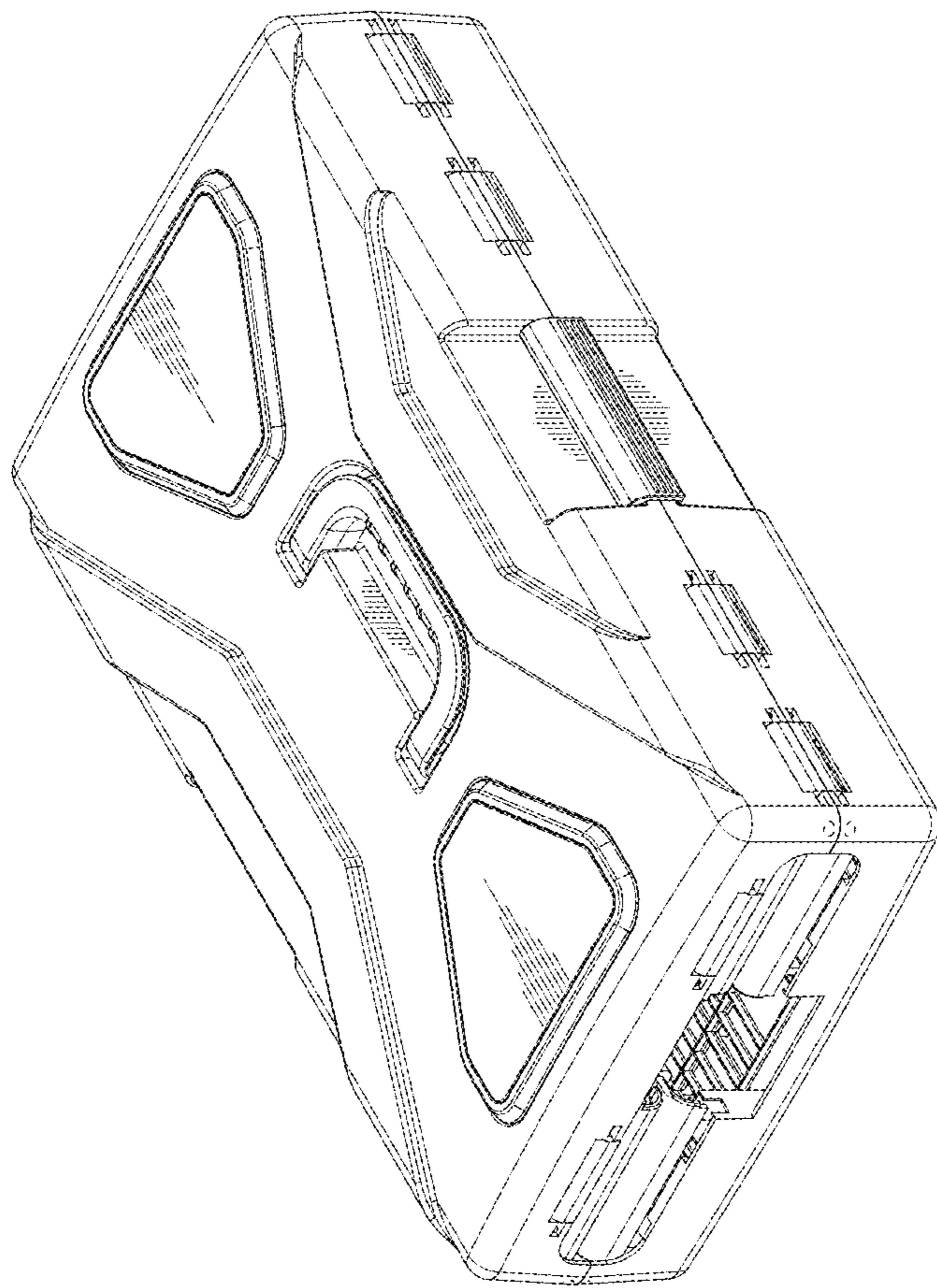


FIG.10

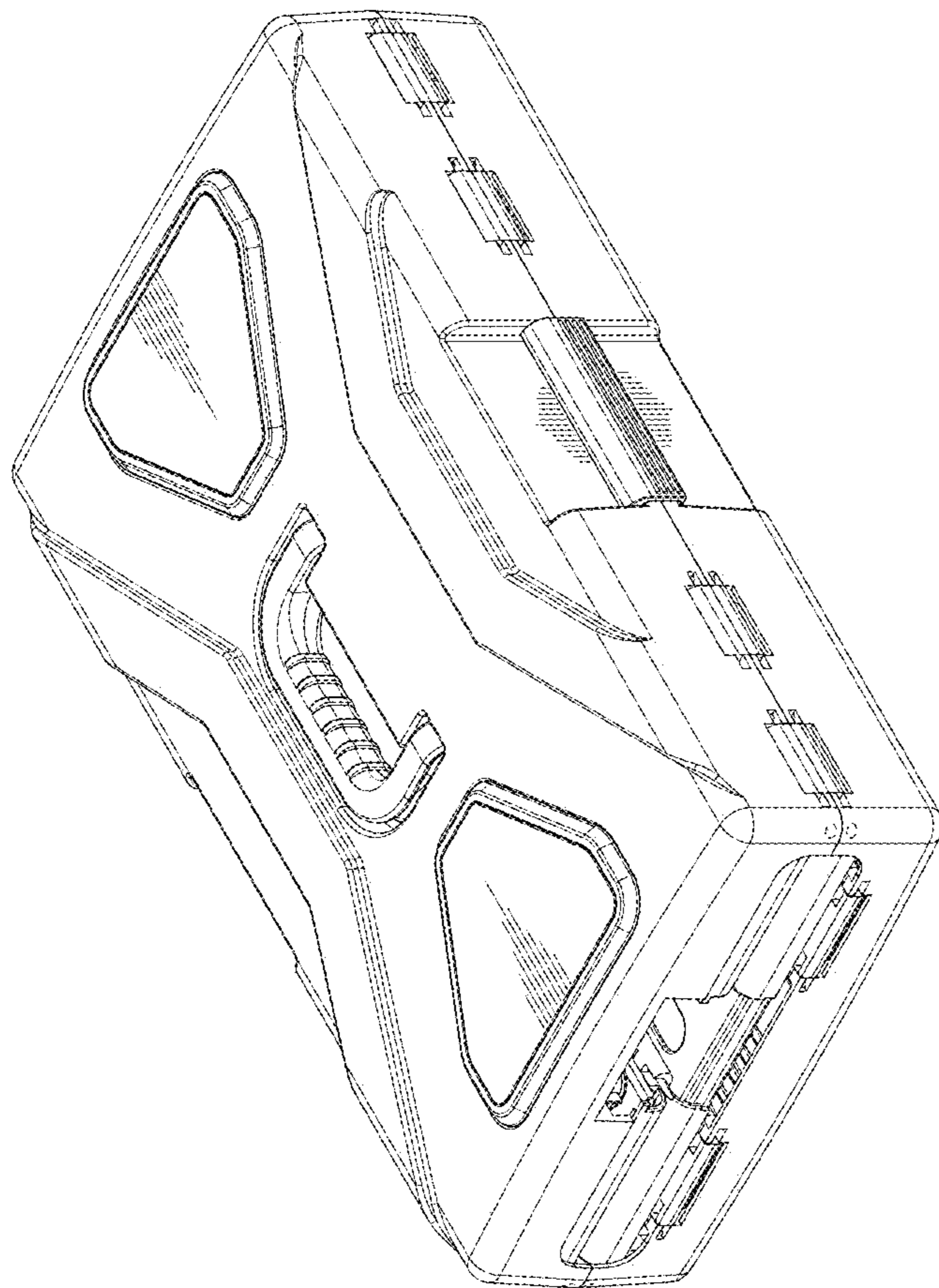


FIG.11

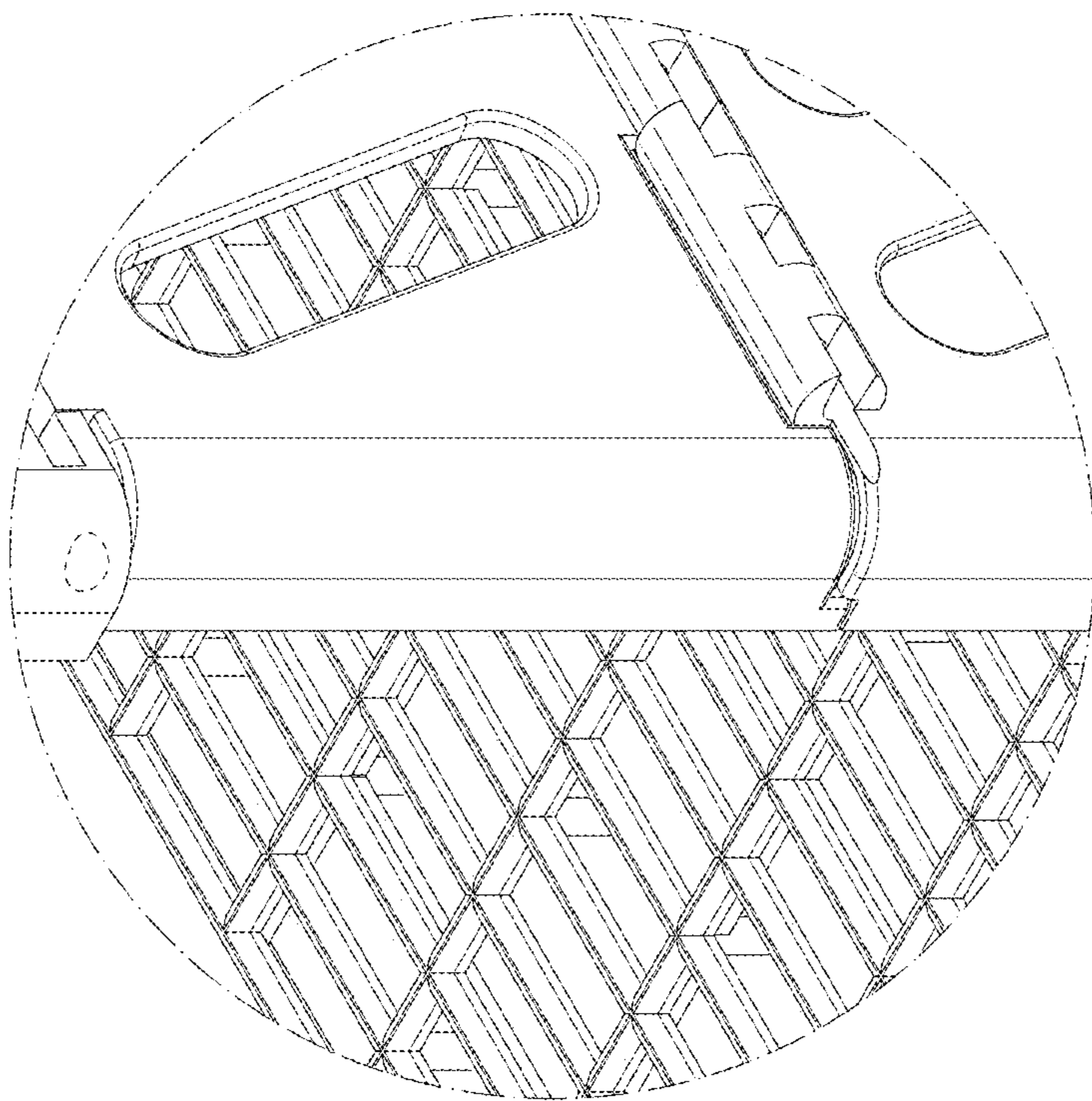


FIG.12