



US00D985850S

(12) **United States Design Patent** (10) **Patent No.:** **US D985,850 S**
Kreitschmann (45) **Date of Patent:** **** May 9, 2023**

(54) **FACE GUARD** D915,681 S * 4/2021 Whitehead A42B 3/223
D29/110
(71) Applicant: **UVEX ARBEITSSCHUTZ GMBH,** 11,019,873 B2 * 6/2021 Noordzij A42B 3/223
Fürth (DE) D955,649 S * 6/2022 Kreitschmann D29/107
2009/0313745 A1 * 12/2009 Kang A42B 3/225
2/424
(72) Inventor: **Tobias Kreitschmann,** Oberasbach 2014/0256865 A1 * 9/2014 Boulton F16P 1/06
(DE) 524/440
(73) Assignee: **UVEX ARBEITSSCHUTZ GMBH,** 2016/0346130 A1 * 12/2016 Hirschmann, Jr. A61F 9/065
Fürth (DE) 2021/0195980 A1 * 7/2021 Cartwright A62B 18/045

(**) Term: **15 Years**
(21) Appl. No.: **29/730,205**
(22) Filed: **Apr. 2, 2020**

(30) **Foreign Application Priority Data**
Oct. 31, 2019 (EM) 007145743
(51) **LOC (14) Cl.** **02-03**
(52) **U.S. Cl.**
USPC **D29/108**
(58) **Field of Classification Search**
USPC D29/100, 108, 109, 110
CPC A41D 13/1107; A41D 13/1161; A41D
13/1184; A42B 3/18; F41H 1/08
See application file for complete search history.

(56) **References Cited**
U.S. PATENT DOCUMENTS
2,755,476 A * 7/1956 Bowers, Sr. A61F 9/025
2/8.1
D458,713 S * 6/2002 Cheng D29/110
D539,485 S * 3/2007 Huh D29/110
D670,036 S * 10/2012 Folkesson A62B 18/045
D29/108
D730,584 S * 5/2015 Paulson A42B 3/225
D29/110
D907,860 S * 1/2021 Williams A61F 9/065
D29/107

FOREIGN PATENT DOCUMENTS
GB 9007145743-0004 * 10/2019

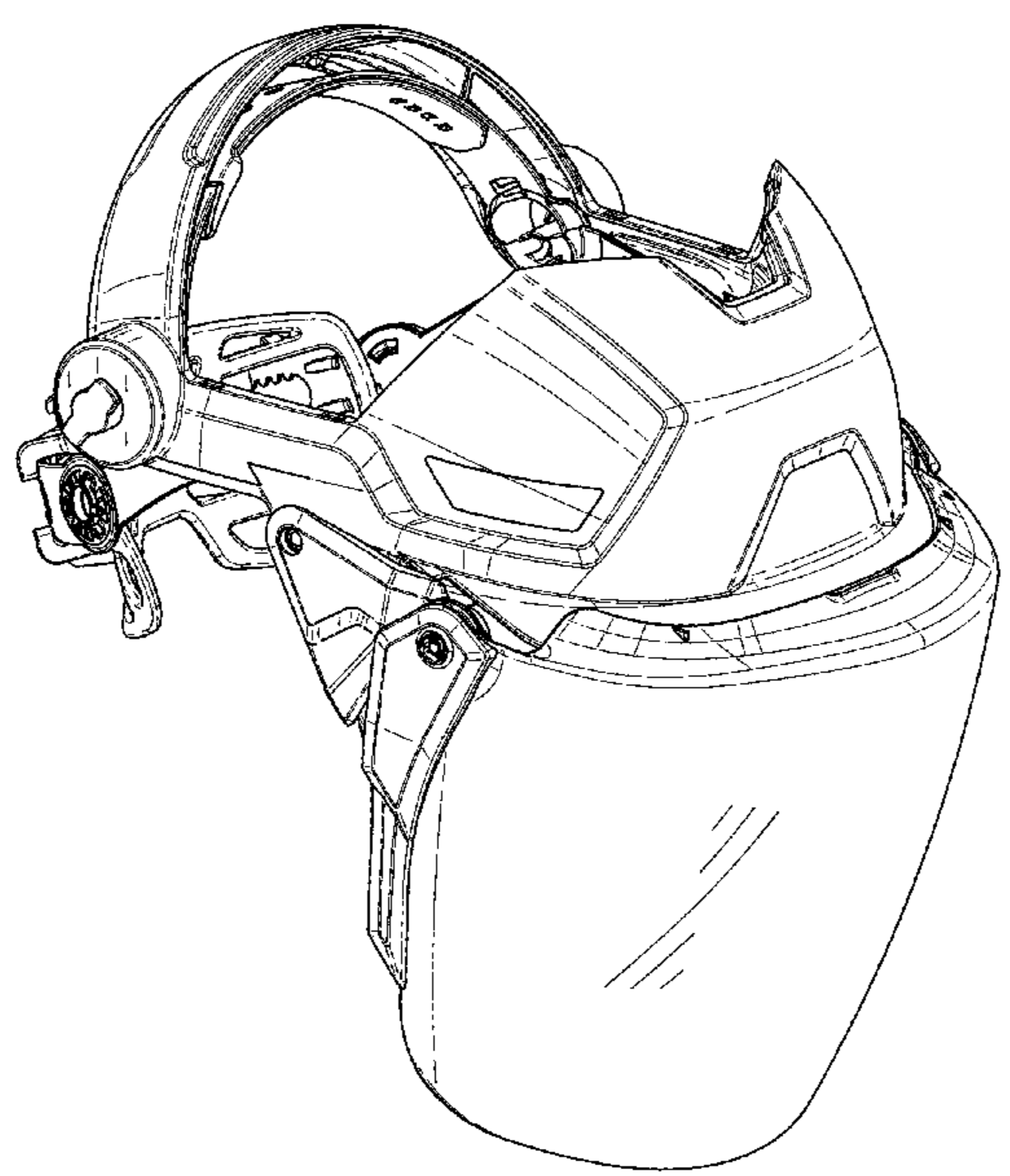
OTHER PUBLICATIONS
Amazon, "UVEX by Honeywell Bionic Face Shield", first available
Nov. 9, 2004. (<https://www.amazon.com/Bionic-Shield-Clear-Polycarbonate-S8500/dp/B001VXXUWK>) (Year: 2004).
(Continued)

Primary Examiner — Lauren D McVey
Assistant Examiner — Justin A Johnson
(74) *Attorney, Agent, or Firm* — McGlew and Tuttle, P.C.

(57) **CLAIM**
The ornamental design for a face guard, as shown and
described.

DESCRIPTION
FIG. 1 is a front view of a face guard, showing my new
design;
FIG. 2 is a rear view thereof;
FIG. 3 is a top view thereof;
FIG. 4 is a bottom view thereof;
FIG. 5 is a right side view thereof;
FIG. 6 is a left side view thereof; and,
FIG. 7 is a perspective view thereof.

1 Claim, 7 Drawing Sheets



(56)

References Cited

OTHER PUBLICATIONS

Amazon, "uvex Helmet system", first available Sep. 27, 2016. (<https://www.amazon.co.uk/Helmet-consisting-Protection-Hearing-protection/dp/B01HD79O5E>) (Year: 2016).*

Uvex, "model 9790.211 uvex pheos faceguard", first available Sep. 12, 2020. (https://d3nan4w00fsv2d.cloudfront.net/DATASHEET/9790211_PDB_EN.pdf) (Year: 2020).*

Amazon, "Jackson Safety QUAD500 Face Shield", first available May 21, 2020. (<https://www.amazon.com/dp/B088ZBZQQB/?th=1>) (Year: 2020).*

* cited by examiner

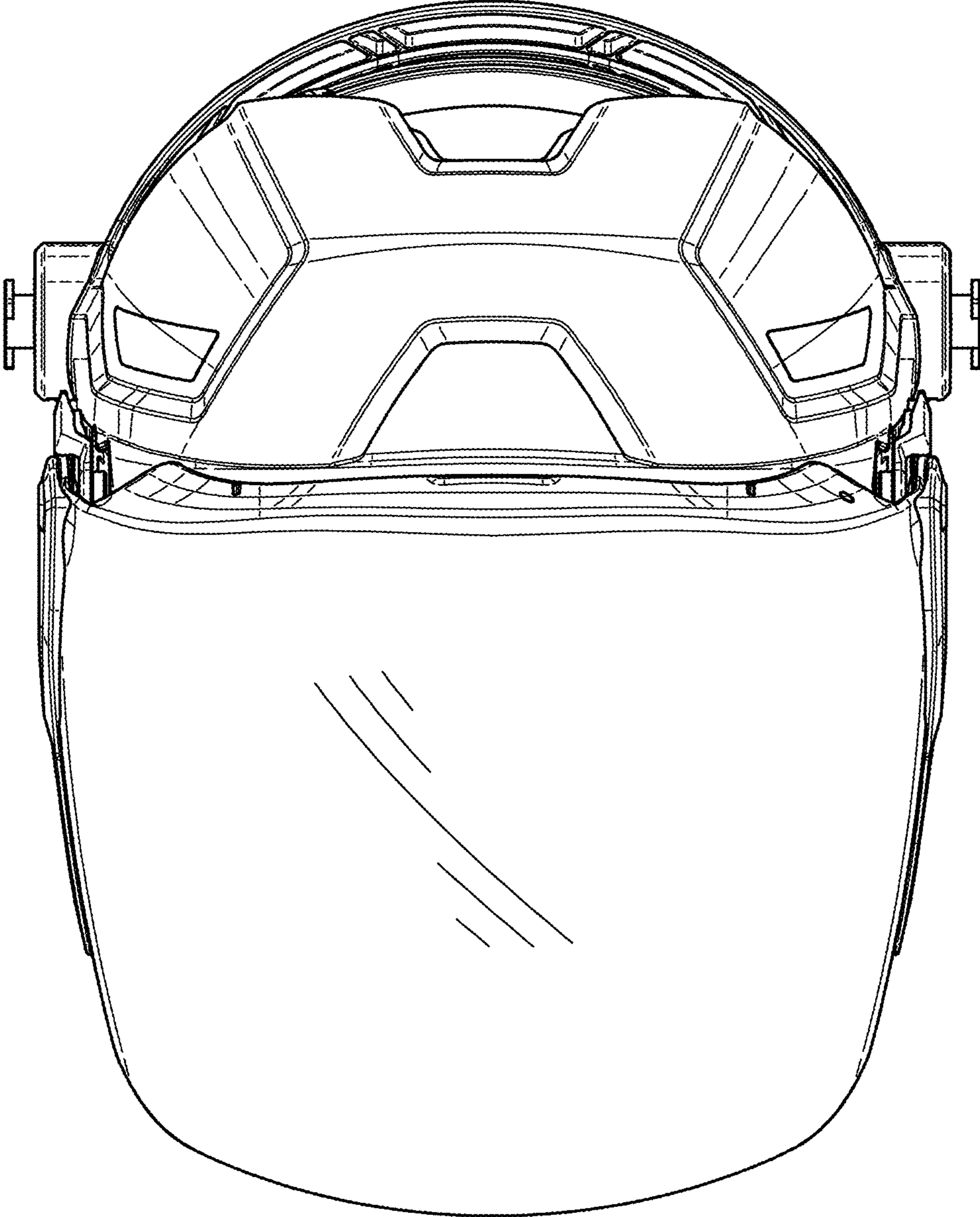


Fig. 1

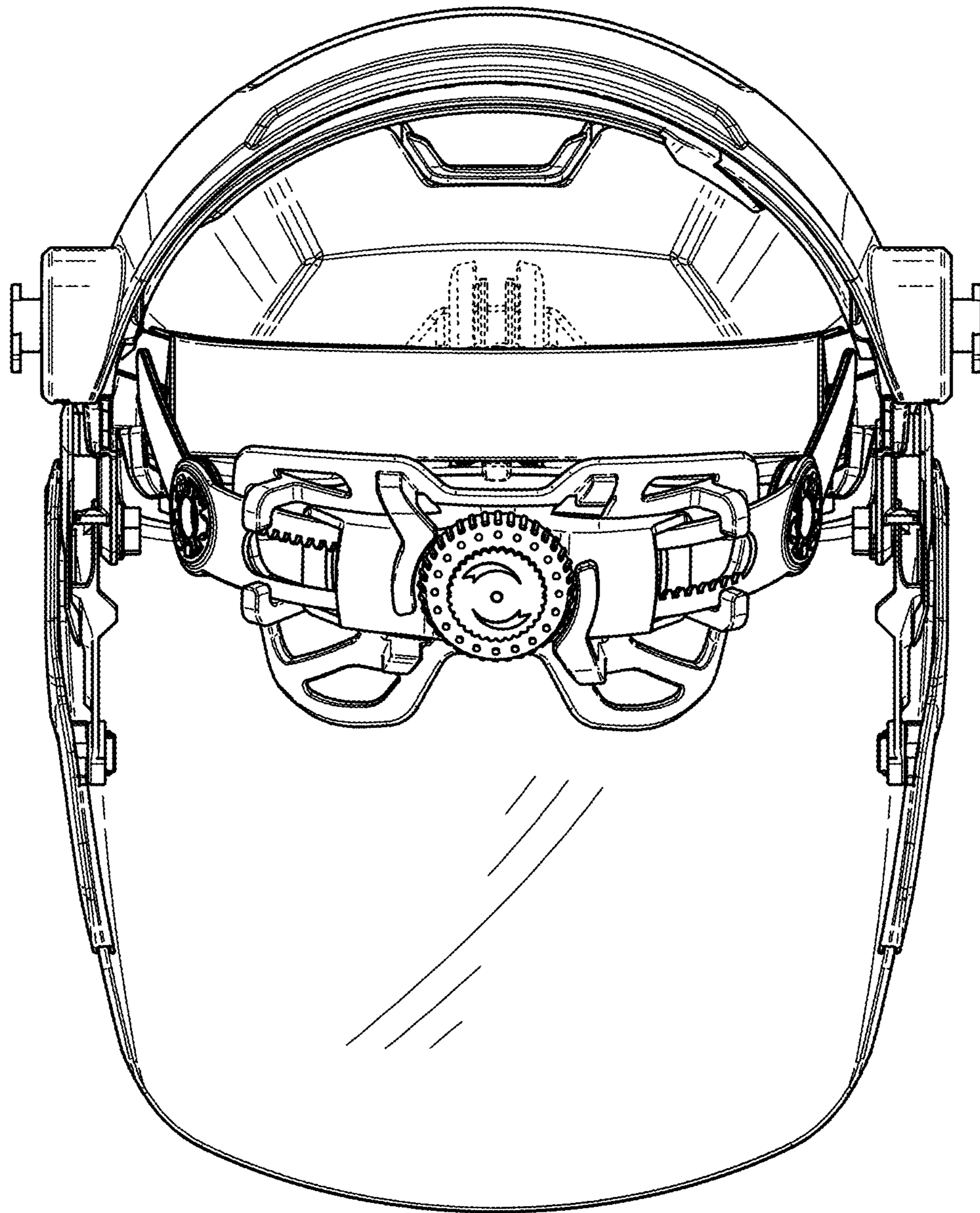


Fig. 2

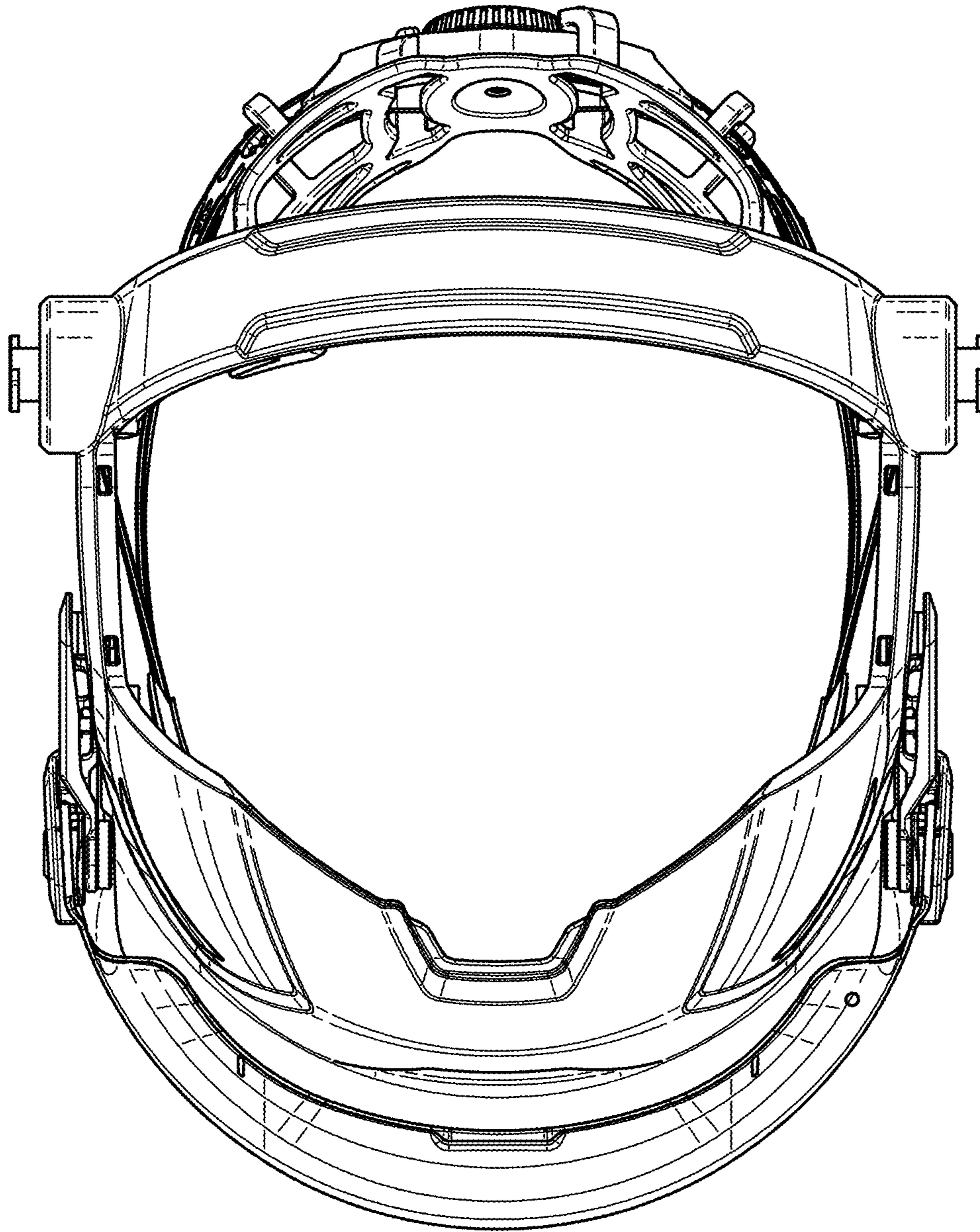


Fig. 3

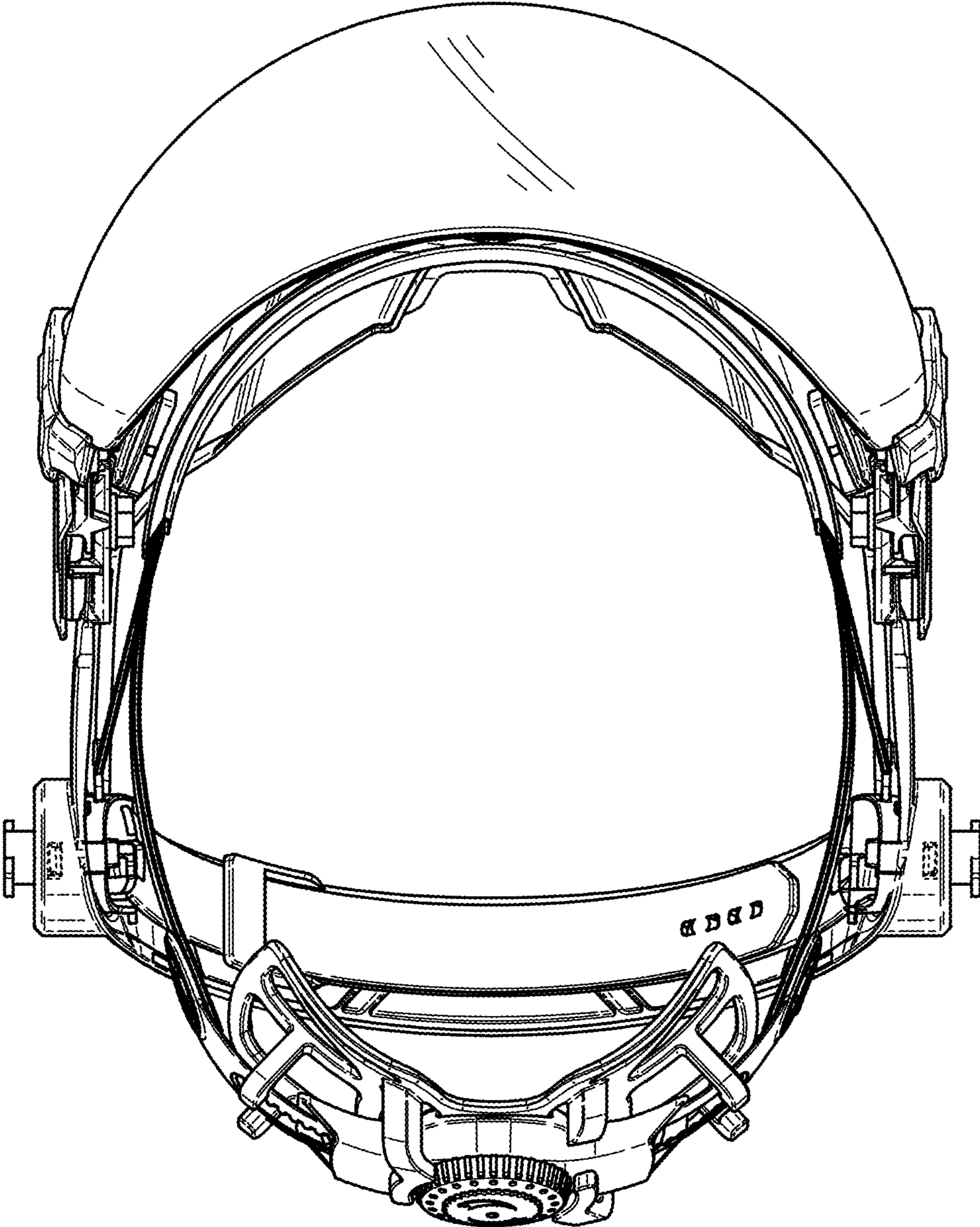


Fig. 4

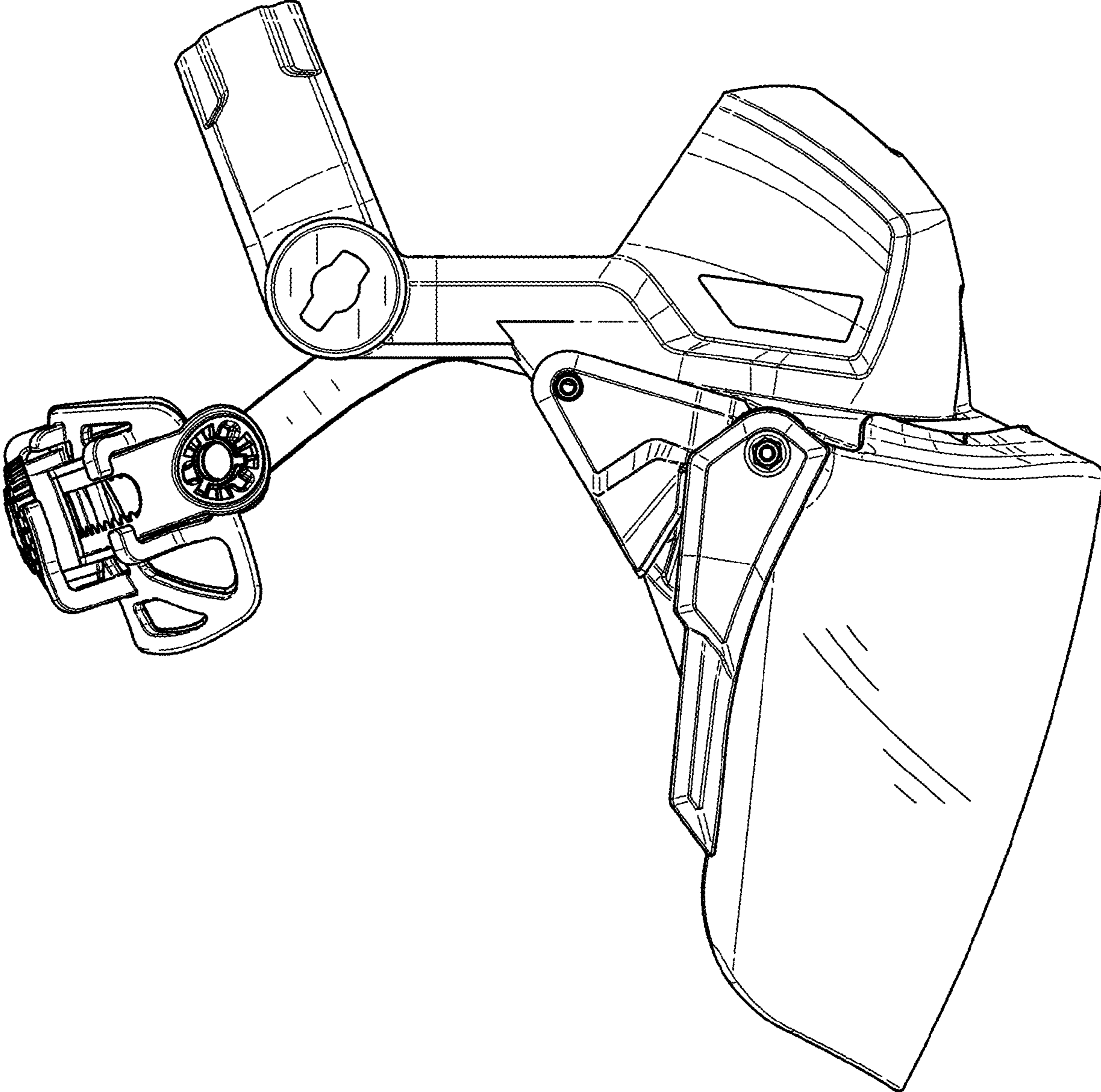


Fig. 5

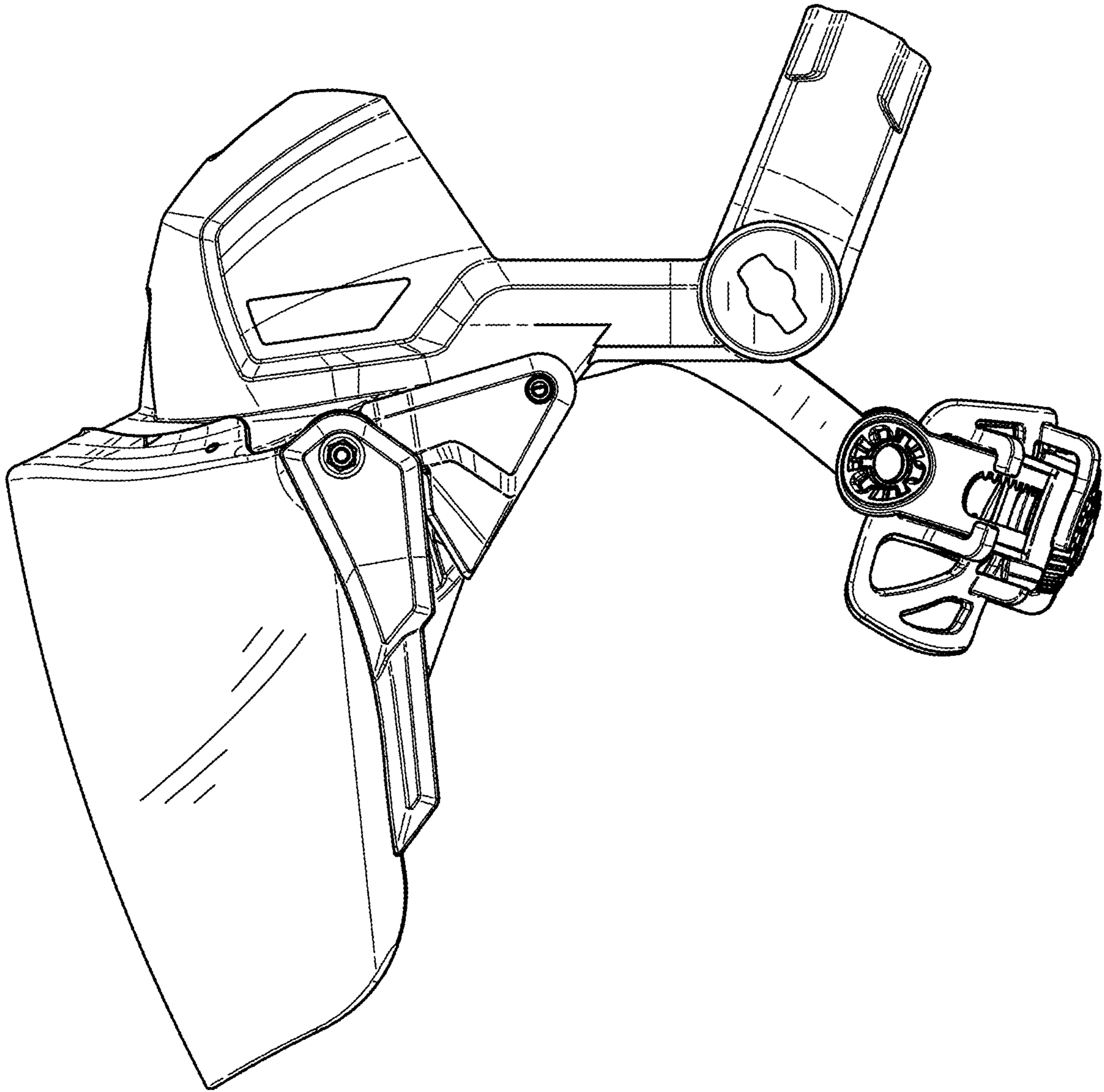


Fig. 6

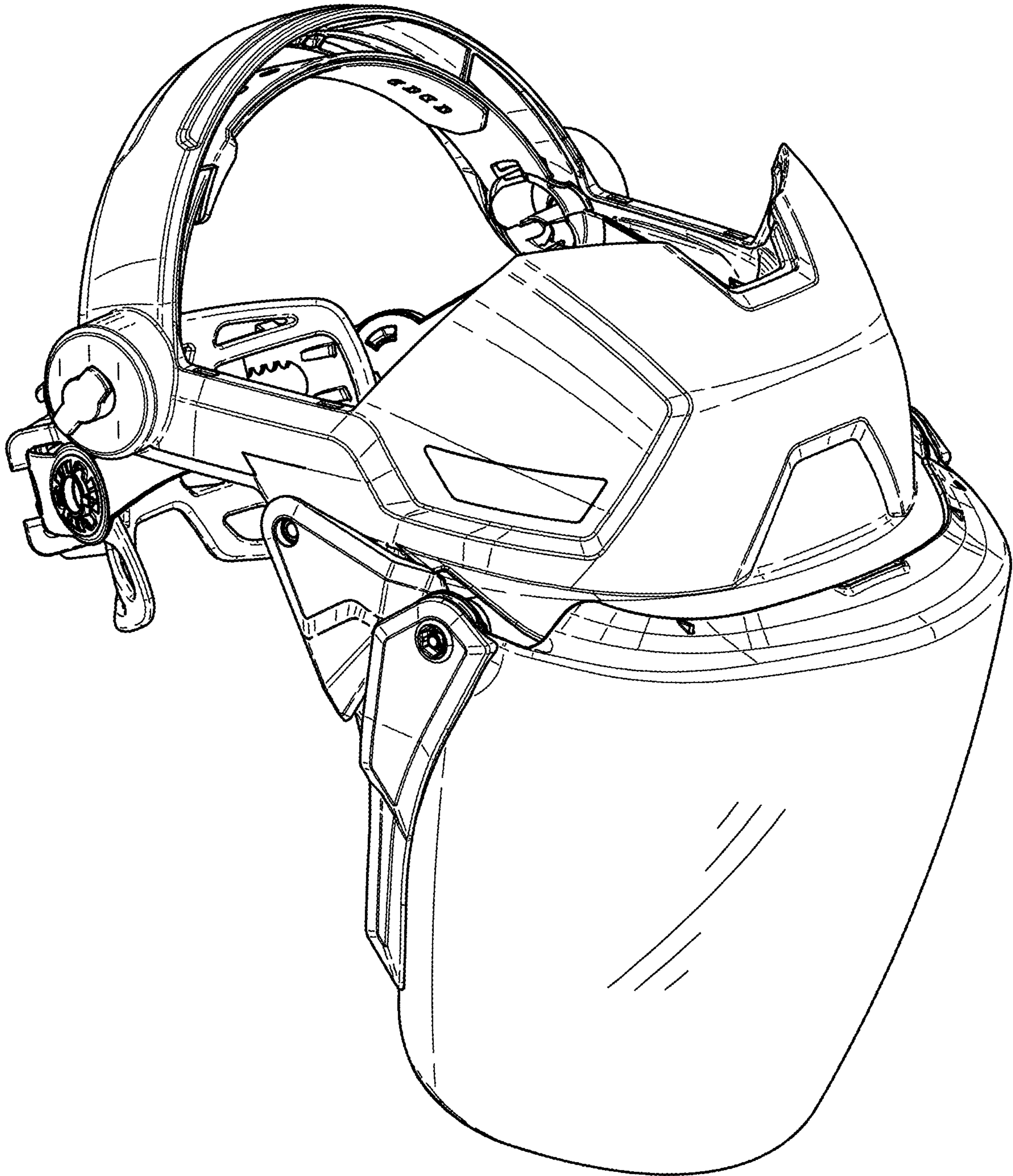


Fig. 7