



US00D985846S

(12) **United States Design Patent** (10) **Patent No.:** **US D985,846 S**  
**Ishida** (45) **Date of Patent:** **\*\* May 9, 2023**

(54) **NAIL CLIPPERS WITH LENS**  
(71) Applicant: **Green Bell Co., Ltd**, Osaka (JP)  
(72) Inventor: **Itsuto Ishida**, Osaka (JP)  
(73) Assignee: **GREEN BELL CO., LTD.**, Osaka (JP)  
(\*\*) Term: **15 Years**  
(21) Appl. No.: **29/652,357**  
(22) Filed: **Jul. 27, 2020**  
(51) **LOC (14) Cl.** ..... **28-03**  
(52) **U.S. Cl.**  
USPC ..... **D28/60**  
(58) **Field of Classification Search**  
USPC ..... D28/56-60, 99; D24/133  
CPC ..... A45D 29/00; A45D 29/02; A45D 29/04;  
A45D 29/05; A45D 29/06; A45D 29/11;  
A45D 29/14; A45D 29/18; A45D 44/00;  
A45D 2029/44  
See application file for complete search history.

D914,292 S \* 3/2021 Dalton ..... D28/60  
D921,986 S \* 6/2021 Paulsmeyer ..... A45D 29/02  
D28/60  
2007/0017537 A1\* 1/2007 Neal ..... A45D 29/02  
132/75.4

(Continued)

**OTHER PUBLICATIONS**

Safety 1st Clear View Nail Clipper, Safety 1st, reviewed on Jul. 12, 2018, retrieved on Oct. 7, 2021, retrieved from the Internet URL: [https://www.amazon.com/Safety-1st-Clear-Clipper-Spring/dp/B003AOKA8K/ref=sr\\_1\\_12?dchild=1&keywords=magnifying+nail+clippers&qid=1633628805&sr=8-12.\\*](https://www.amazon.com/Safety-1st-Clear-Clipper-Spring/dp/B003AOKA8K/ref=sr_1_12?dchild=1&keywords=magnifying+nail+clippers&qid=1633628805&sr=8-12.*)

(Continued)

*Primary Examiner* — Alison M Ofstun  
(74) *Attorney, Agent, or Firm* — Welsh Flaxman & Gitler LLC

(57) **CLAIM**

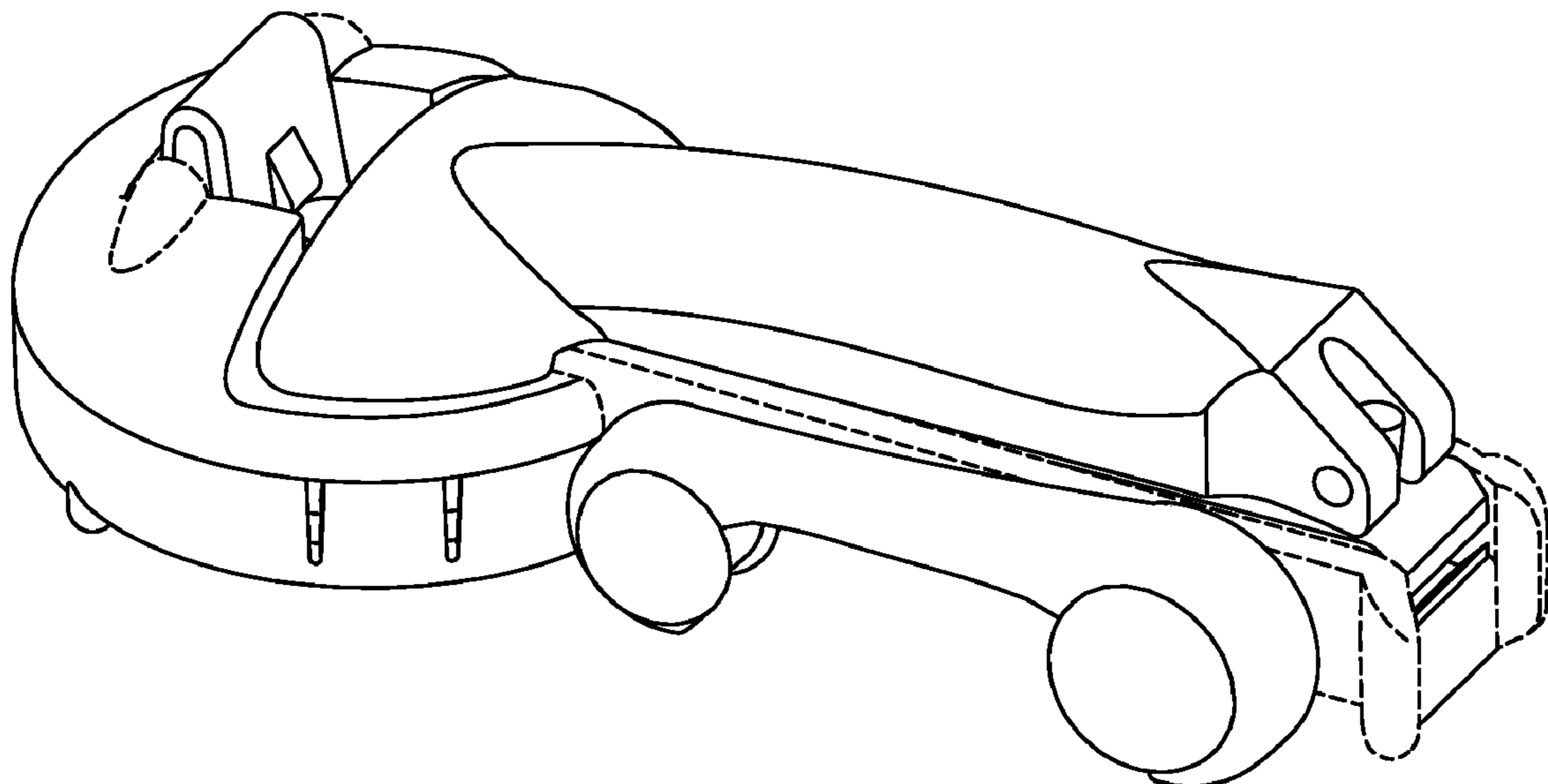
The ornamental design for a nail clippers with lens, as shown and described.

**DESCRIPTION**

FIG. 1 is a right side elevation view of the nail clippers with lens;  
FIG. 2 is a left-side elevation view of nail clippers with lens;  
FIG. 3 is a front elevation view of the nail clippers with lens;  
FIG. 4 is a rear elevation view of the nail clippers with lens;  
FIG. 5 is a top plan view of the nail clippers with lens;  
FIG. 6 is a bottom plan view of the nail clippers with lens;  
FIG. 7 is a perspective view of the nail clippers with lens;  
and,  
FIG. 8 is a perspective view of the nail clippers with lens, shown in an open position of use.  
In the drawings, the broken lines illustrate portions of the article which form no part of the claimed design.

**1 Claim, 3 Drawing Sheets**

(56) **References Cited**  
U.S. PATENT DOCUMENTS  
1,994,215 A \* 3/1935 Gaunt ..... B26B 1/02  
30/155  
4,170,061 A \* 10/1979 Henry ..... B26B 1/046  
30/160  
5,775,340 A \* 7/1998 Rains ..... A45D 29/02  
132/73.5  
6,170,158 B1 \* 1/2001 Daily ..... B26B 1/046  
30/155  
6,220,251 B1 \* 4/2001 Jeong ..... A45D 29/04  
132/73.5  
D625,884 S \* 10/2010 Ashok ..... D28/60  
D726,374 S \* 4/2015 Kim ..... D28/60  
D841,426 S \* 2/2019 Goldstein ..... D8/99  
D848,074 S \* 5/2019 Kim ..... D28/60  
D899,692 S \* 10/2020 Ishida ..... D28/60



(56)

**References Cited**

U.S. PATENT DOCUMENTS

2017/0231361 A1\* 8/2017 Yurosko ..... A45D 29/02  
30/28

OTHER PUBLICATIONS

Green Bell Co, Easily Viewable Nail Clipper, retrieved on Oct. 7, 2021, retrieved from the Internet URL: [https://www.greenbell.ne.jp/cgi-bin/whatsnew/whats\\_display.cgi?+id:products-e+call:G%2d1304+base:/html/products01e.html+filter:2!eq!1!and!4!eq!1!and!12!eq!1+.\\*](https://www.greenbell.ne.jp/cgi-bin/whatsnew/whats_display.cgi?+id:products-e+call:G%2d1304+base:/html/products01e.html+filter:2!eq!1!and!4!eq!1!and!12!eq!1+.*)

\* cited by examiner

Fig1

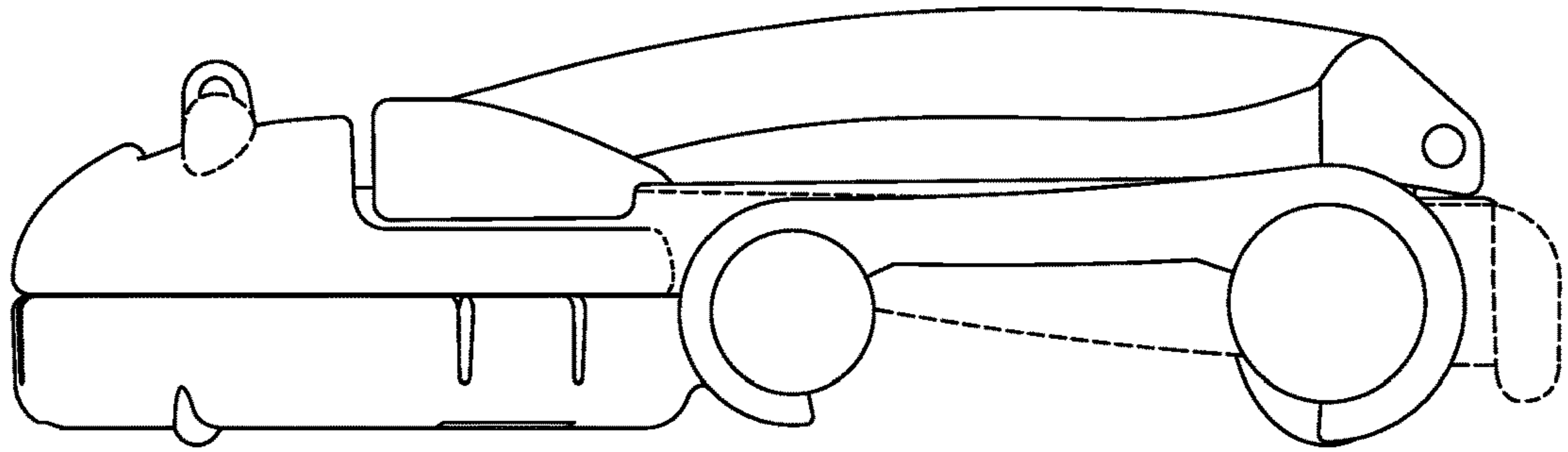


Fig2

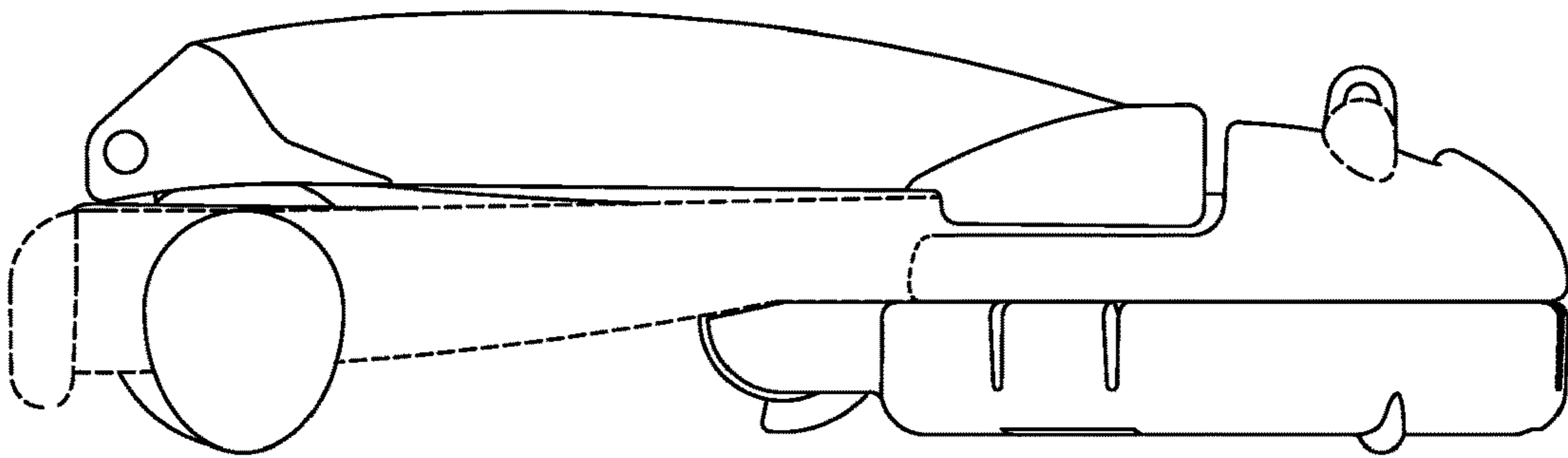


Fig3

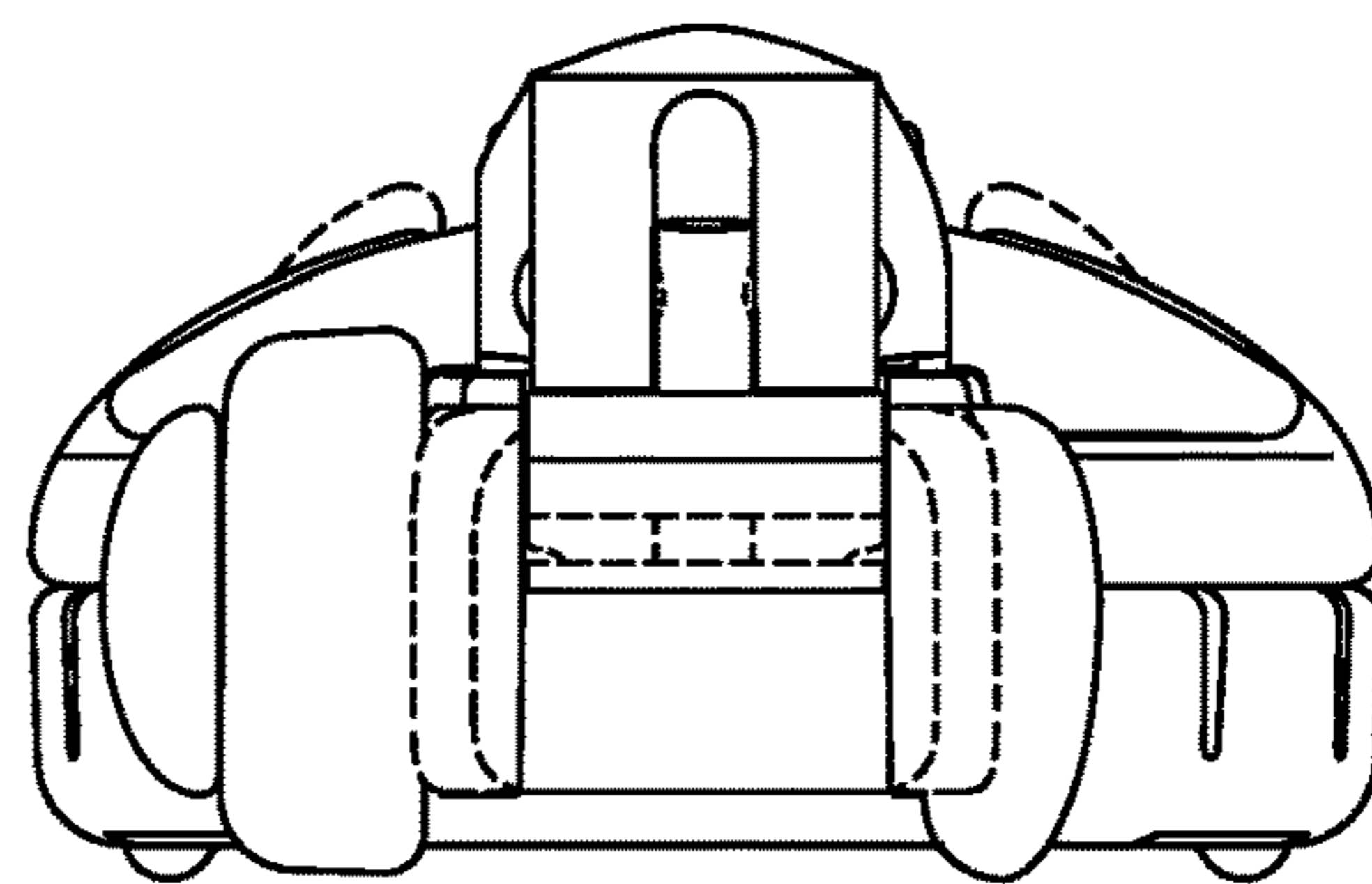


Fig4

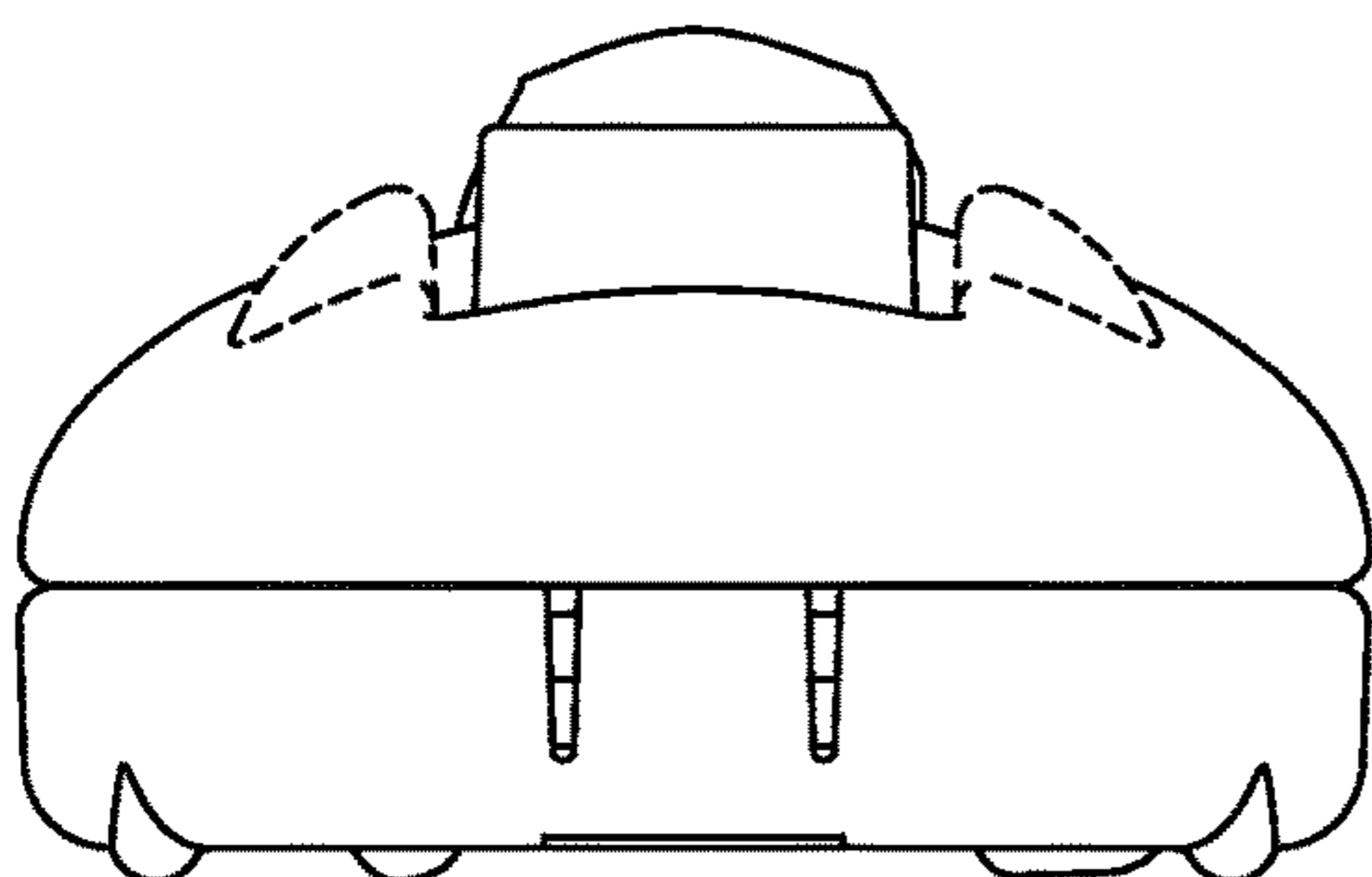


Fig5

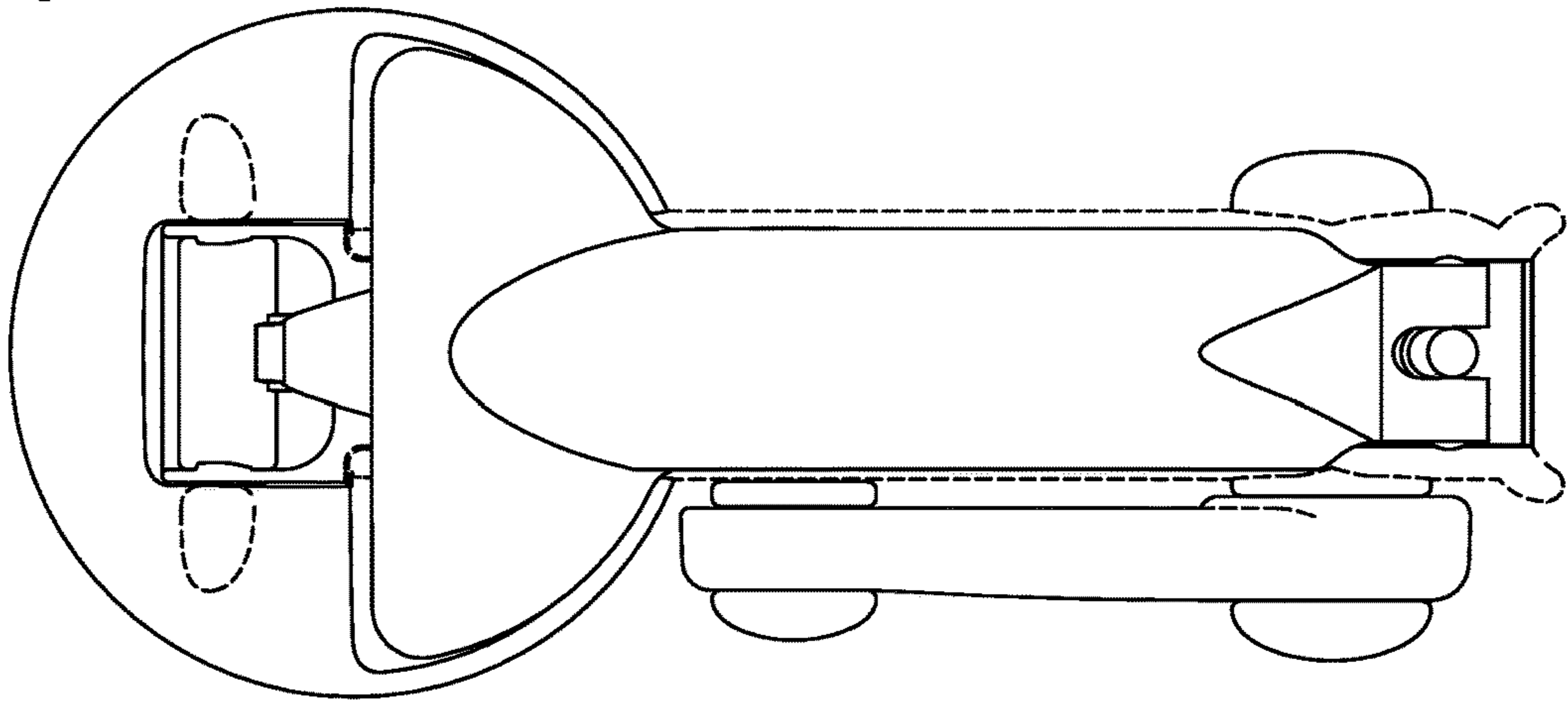


Fig6

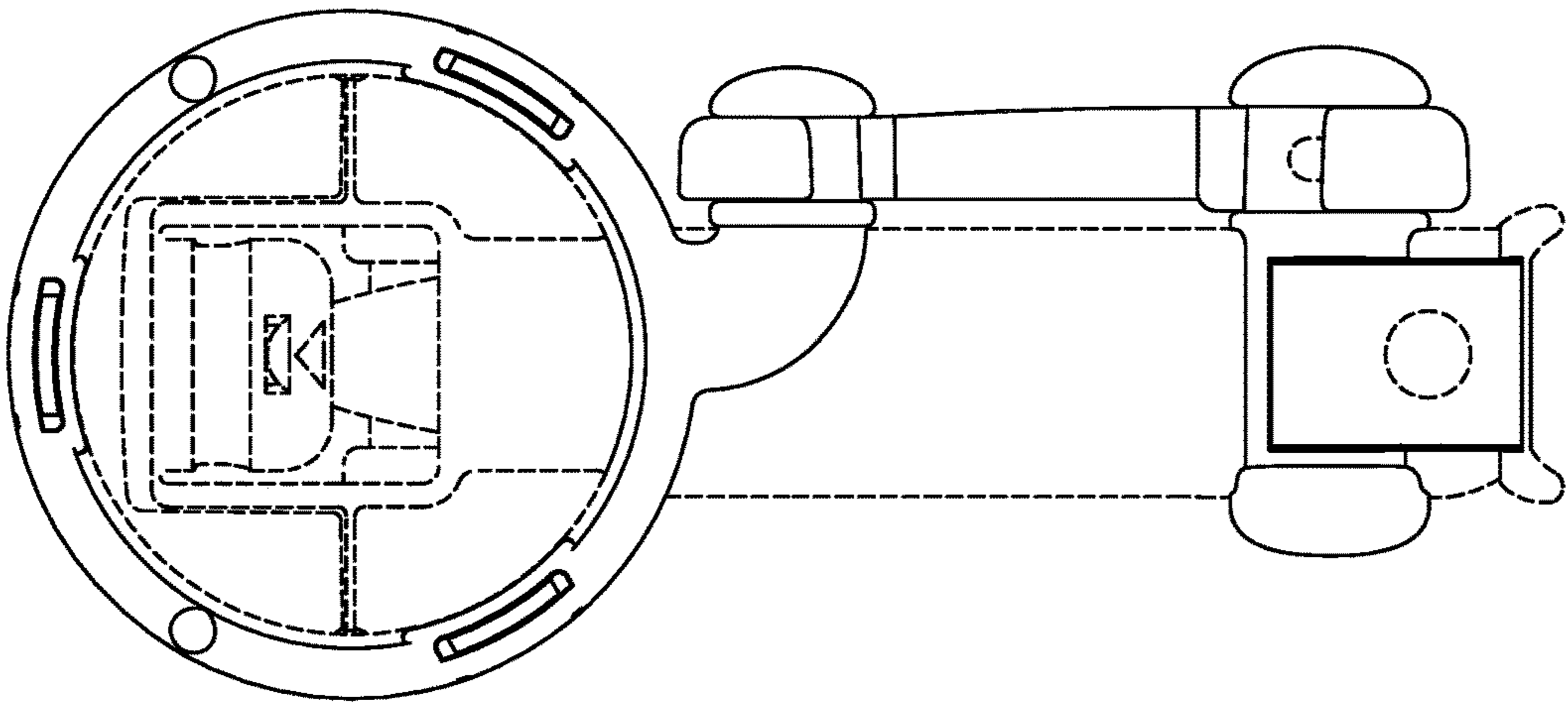


Fig7

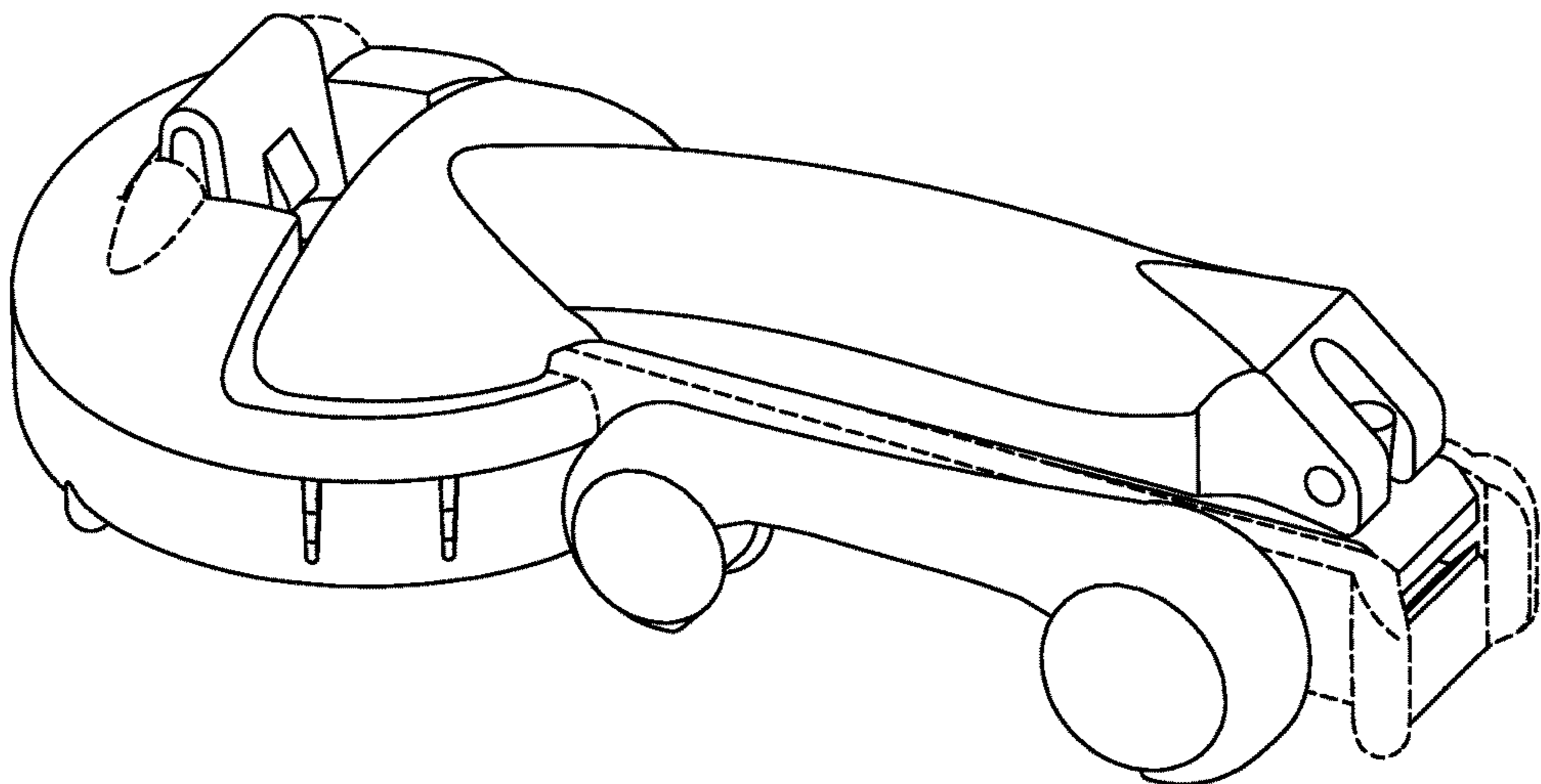


Fig. 8

