



US00D985841S

(12) **United States Design Patent** (10) **Patent No.:** **US D985,841 S**
Santos (45) **Date of Patent:** **** May 9, 2023**

(54) **CURLING IRON**
(71) Applicant: **CONAIR CORPORATION**, Stamford, CT (US)
(72) Inventor: **Mary Santos**, Stamford, CT (US)
(73) Assignee: **Conair Corporation**, Stamford, CT (US)
(**) Term: **15 Years**

D884,967 S * 5/2020 Peng D28/35
D886,374 S 6/2020 Hein et al.
10,684,073 B2 6/2020 Ku
D914,286 S * 3/2021 Swackhamer D28/35
D942,683 S * 2/2022 Colin D28/35
(Continued)

(21) Appl. No.: **29/774,848**
(22) Filed: **Mar. 19, 2021**
(51) **LOC (14) Cl.** **28-03**
(52) **U.S. Cl.**
USPC **D28/35**
(58) **Field of Classification Search**
USPC D28/9-11, 35, 99
CPC ... A45D 1/00; A45D 1/04; A45D 1/06; A45D 1/10; A45D 1/14; A45D 2/00; A45D 2/02; A45D 2/12; A45D 6/00
See application file for complete search history.

FOREIGN PATENT DOCUMENTS

CN 201504727 U 6/2010
CN 207202398 U 4/2018
DE 2720961 A1 11/1978

OTHER PUBLICATIONS

Infinitipro Curling Wand by Conair, reviewed on Jan. 29, 2013 on amazon.com, retrieved on Jun. 30, 2022, retrieved from: <https://www.amazon.com/INFINITIPRO-CONAIR-Tourmaline-Ceramic-Curling/dp/B003F2T0M4?th=1>.
(Continued)

Primary Examiner — Alison M Ofstun
(74) *Attorney, Agent, or Firm* — Grogan, Tuccillo & Vanderleeden, LLP

(56) **References Cited**

U.S. PATENT DOCUMENTS

2,688,971 A 9/1954 Daniels et al.
4,602,143 A 7/1986 Mack et al.
4,740,669 A 4/1988 Takimae
4,939,340 A 7/1990 Brill
6,363,215 B1 3/2002 Cafaro
6,378,225 B1 4/2002 Slingo
7,550,136 B2 6/2009 Warner et al.
D646,023 S * 9/2011 Kim D28/35
D672,501 S 12/2012 Kim
D698,489 S * 1/2014 Byun D28/35
D726,963 S * 4/2015 Sayers D28/35
D765,910 S * 9/2016 Bermudez D28/35
D779,728 S * 2/2017 Bermudez D28/35
D785,243 S 4/2017 Zhang
D847,427 S * 4/2019 Shen D28/35
D865,871 S 11/2019 Fernandez-Katz
10,588,391 B2 3/2020 Palero et al.

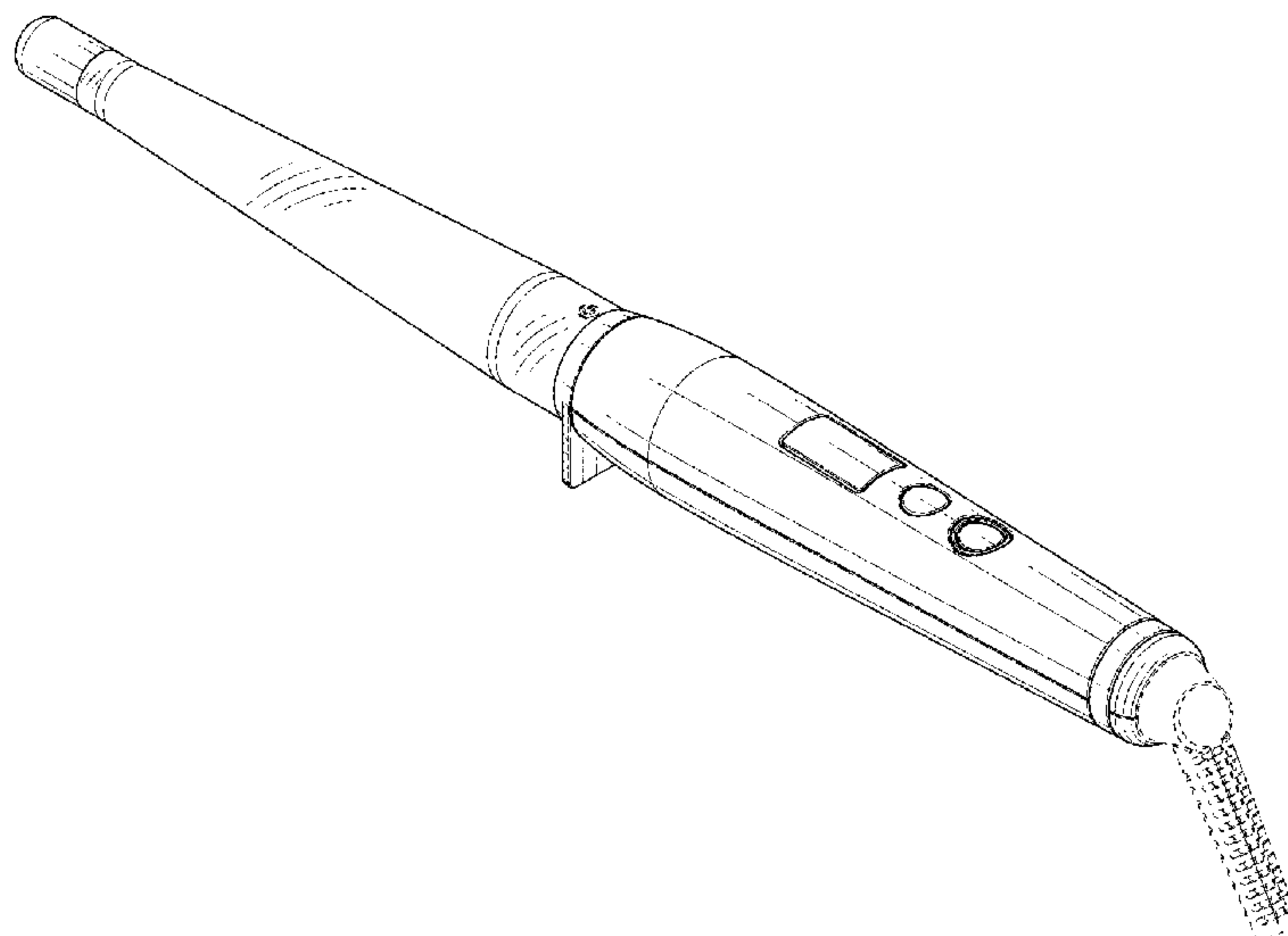
(57) **CLAIM**

The ornamental design for a curling iron, as shown and described.

DESCRIPTION

FIG. 1 is a perspective view of a curling iron showing a new design;
FIG. 2 is a left side elevational view thereof;
FIG. 3 is a right side elevational view thereof;
FIG. 4 is a front elevational view thereof;
FIG. 5 is a rear elevational view thereof;
FIG. 6 is a top plan view thereof; and,
FIG. 7 is a bottom plan view thereof.
The broken lines in the figures illustrate portions of the article which form no part of the claimed design.

1 Claim, 4 Drawing Sheets



(56)

References Cited

U.S. PATENT DOCUMENTS

2004/0159002 A1 8/2004 Carlucci et al.
2012/0060858 A1 3/2012 Bickford et al.
2016/0007707 A1* 1/2016 Carter A45D 1/04
132/229
2019/0261757 A1* 8/2019 Abramov A45D 2/2464
2021/0235833 A1* 8/2021 Rao A45D 1/04
2022/0183437 A1* 6/2022 Wojczak A45D 1/04

OTHER PUBLICATIONS

Remington Slim Curling Wand, Remington, reviewed on Dec. 7, 2016 on amazon.com, retrieved on Jun. 30, 2022, retrieved from: https://www.amazon.com/Remington-C163W1NA-Professional-Curling-Medium-sized/dp/B01LCXA7WE/ref=asc_df_B01LCXA7WE/?tag=hyprod-20&linkCode=df0&hvadid=312126451328&hvpos=&hvnetw=g&hvrand=9023116604491.*

* cited by examiner

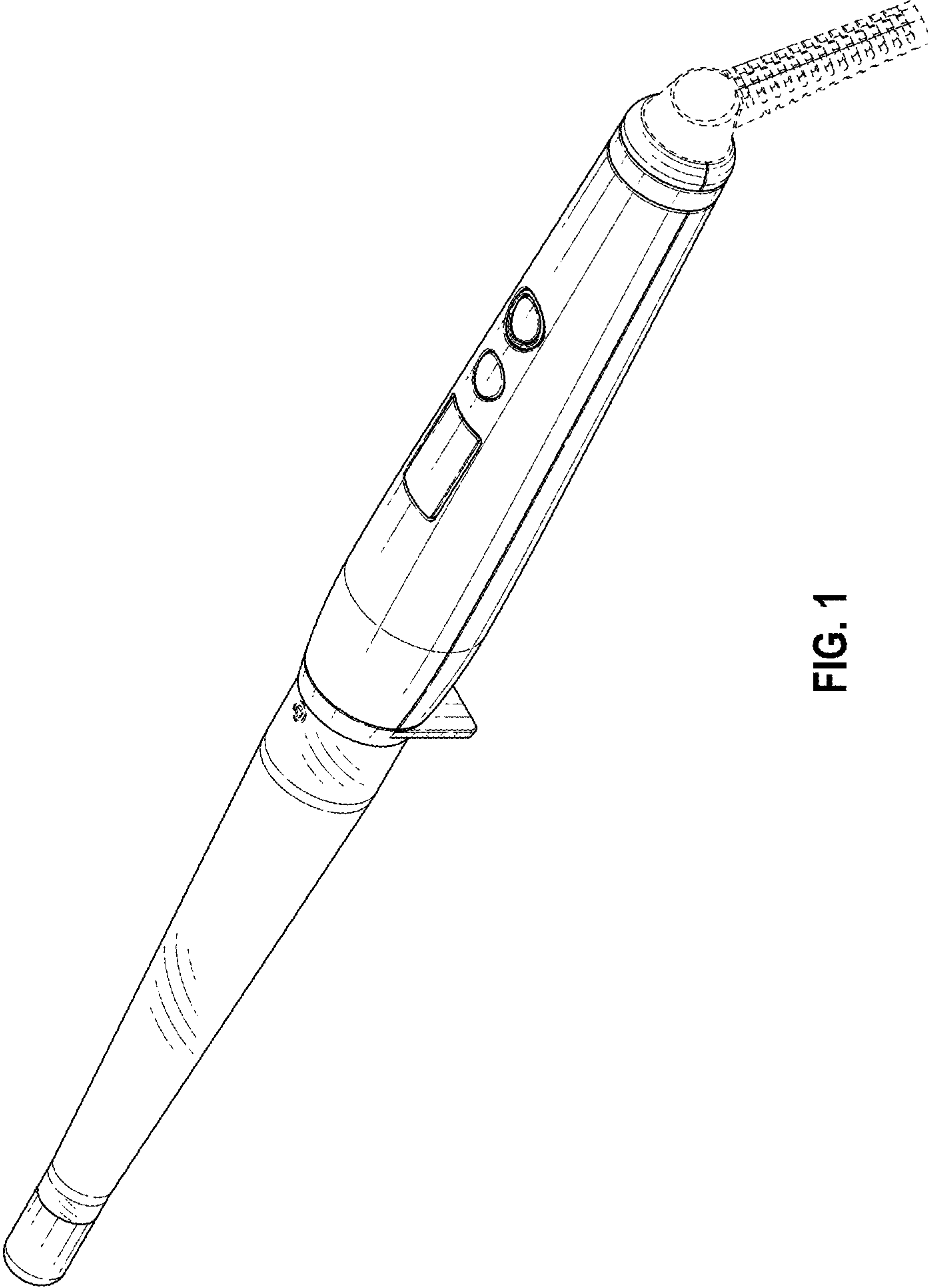


FIG. 1

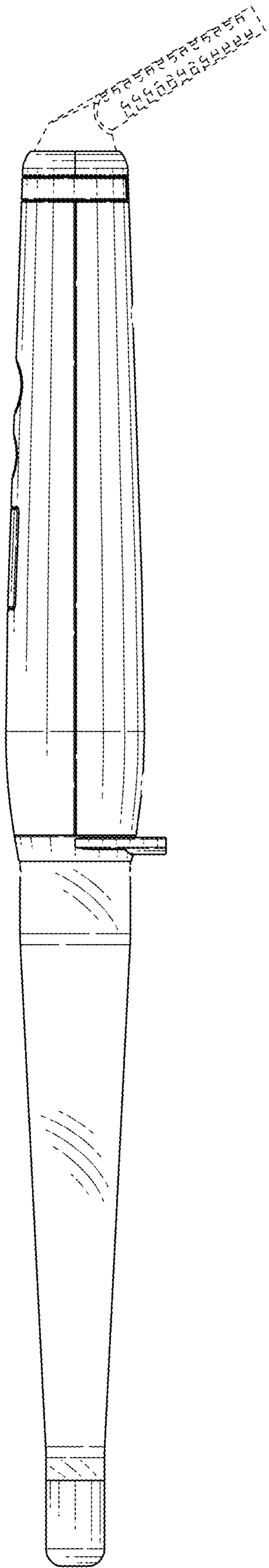


FIG. 2

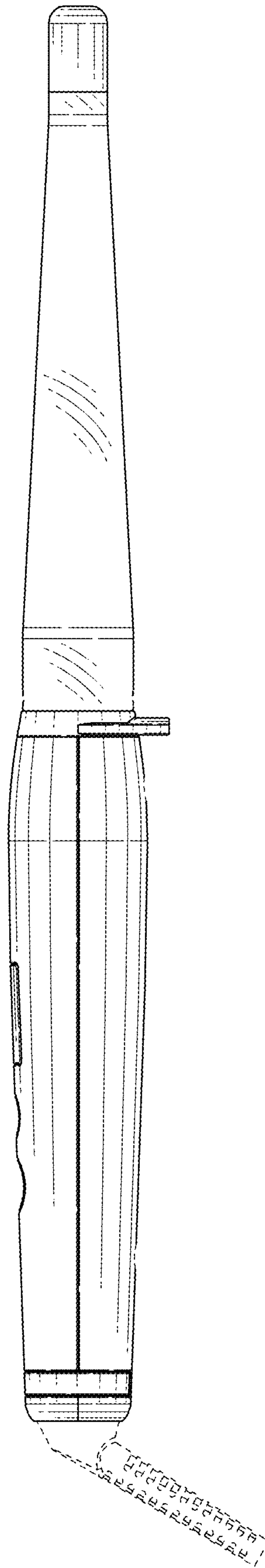


FIG. 3

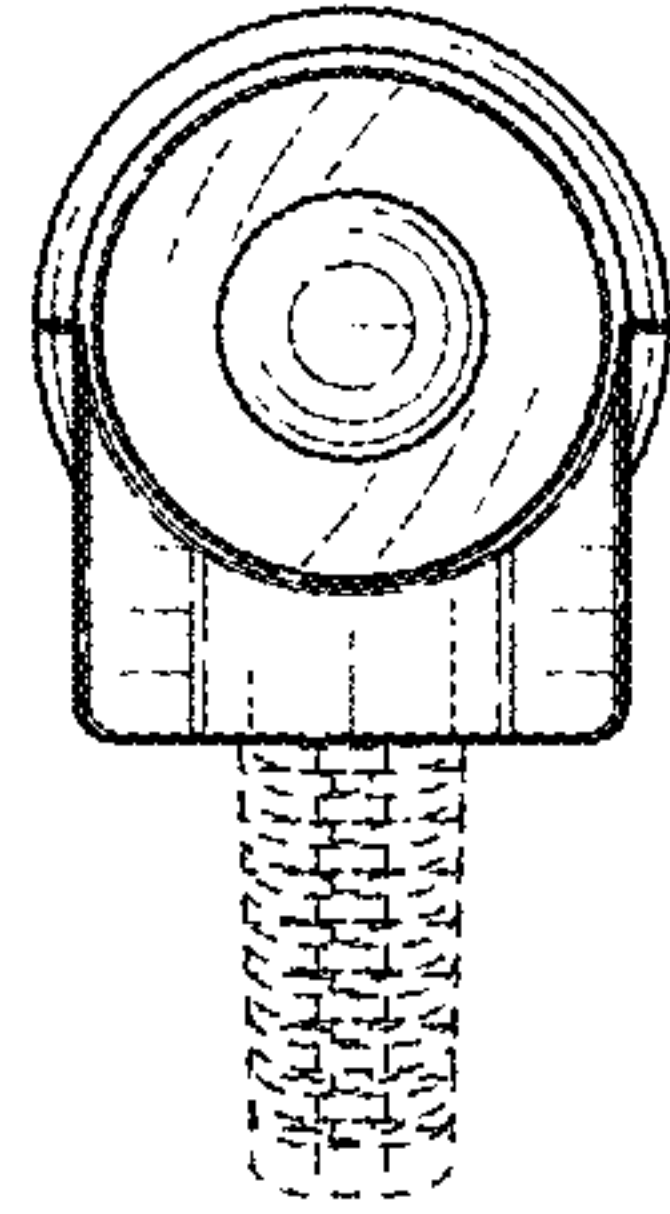


FIG. 4

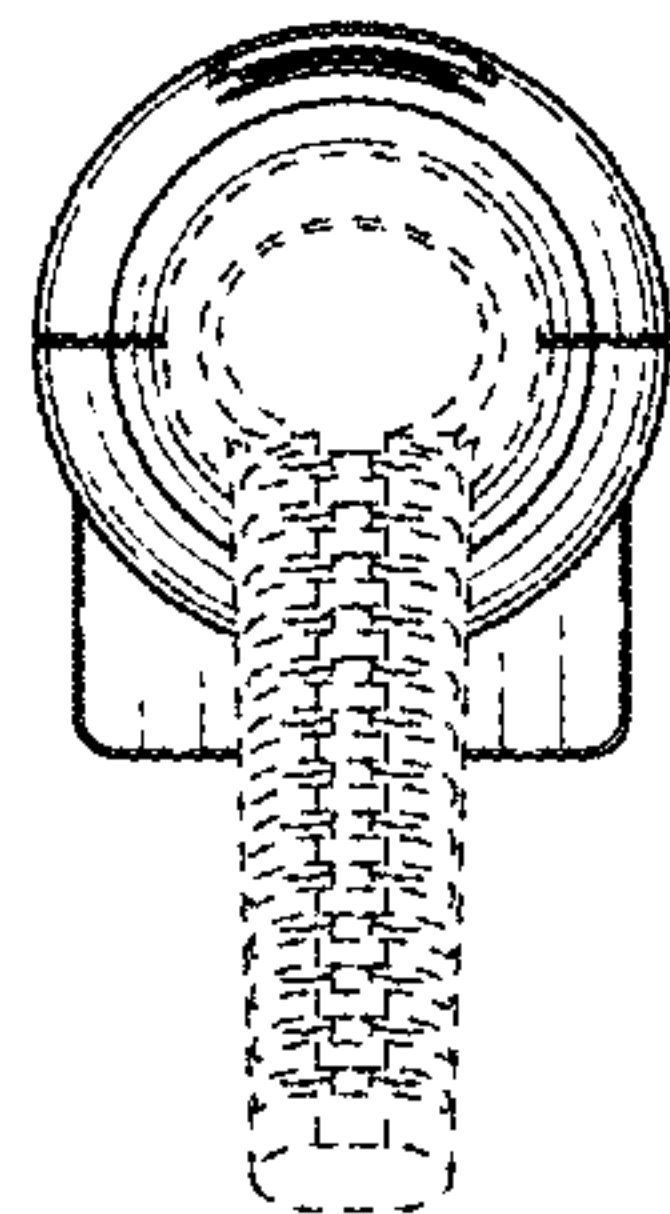


FIG. 5

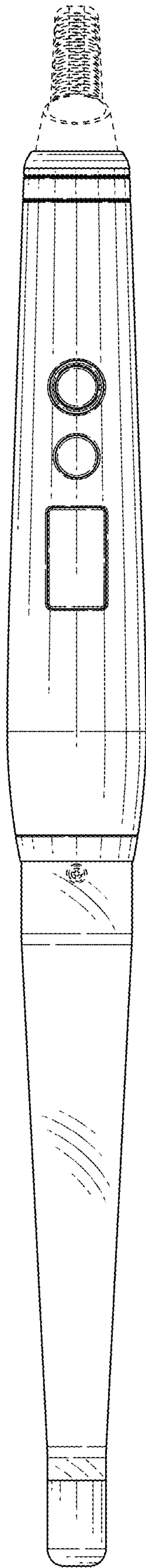


FIG. 6

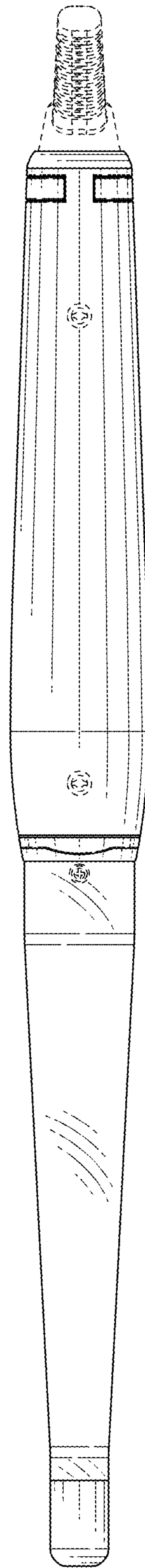


FIG. 7