



US00D985840S

(12) **United States Design Patent**
Sung et al.

(10) **Patent No.:** **US D985,840 S**

(45) **Date of Patent:** **** May 9, 2023**

(54) **HAIR DRYER HOLDER**

(71) Applicant: **IM Co., Ltd.**, Jeollabuk-do (KR)

(72) Inventors: **Yeol Gyu Sung**, Jeollabuk-do (KR); **Ye Seul Kim**, Jeollabuk-do (KR)

(73) Assignee: **IM Co., Ltd.**, Jeollabuk-Do (KR)

(**) Term: **15 Years**

(21) Appl. No.: **29/757,208**

(22) Filed: **Nov. 4, 2020**

(51) **LOC (14) Cl.** **28-03**

(52) **U.S. Cl.**
USPC **D28/18**

(58) **Field of Classification Search**
USPC D28/12-19, 73
CPC A45D 20/00; A45D 20/04; A45D 20/08;
A45D 20/10; A45D 20/12; A45D
2020/128
See application file for complete search history.

(56) **References Cited**

U.S. PATENT DOCUMENTS

3,265,075 A * 8/1966 Edman A45D 20/52
D28/15
D269,819 S * 7/1983 Froidevaux D28/12

D292,237 S * 10/1987 Rubin D28/12
D294,741 S * 3/1988 Froidevaux D28/12
D305,464 S * 1/1990 Rickard D28/12
D312,892 S * 12/1990 Eberts D28/12
D314,839 S * 2/1991 Ho D28/12
D345,818 S * 4/1994 Froidevaux D28/15
D353,018 S * 11/1994 Froidevaux D28/12
D933,290 S * 10/2021 Thomason D28/12

* cited by examiner

Primary Examiner — Zenia I Bennett

(74) *Attorney, Agent, or Firm* — The PL Law Group, PLLC

(57) **CLAIM**

The ornamental design for a hair dryer holder, as shown and described herein.

DESCRIPTION

FIG. 1 is a perspective view of a hair dryer holder of present invention;

FIG. 2 is a front view thereof;

FIG. 3 is a rear view thereof;

FIG. 4 is a left side view thereof;

FIG. 5 is a right side view thereof;

FIG. 6 is top view thereof;

FIG. 7 is a bottom view thereof, and,

FIG. 8 is an exploded perspective view thereof.

The portions of the hair dryer holder shown in broken lines in the drawing are for illustrative purposes only and form no part of the claimed design.

1 Claim, 8 Drawing Sheets

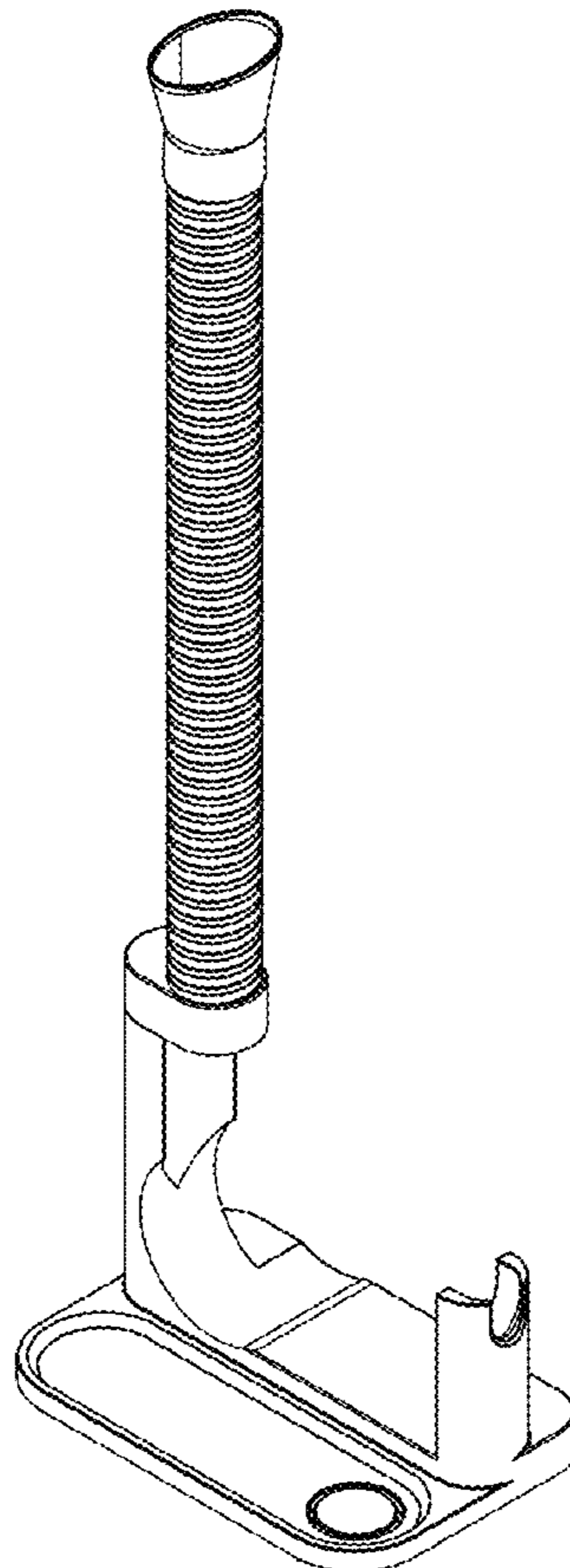


FIG. 1

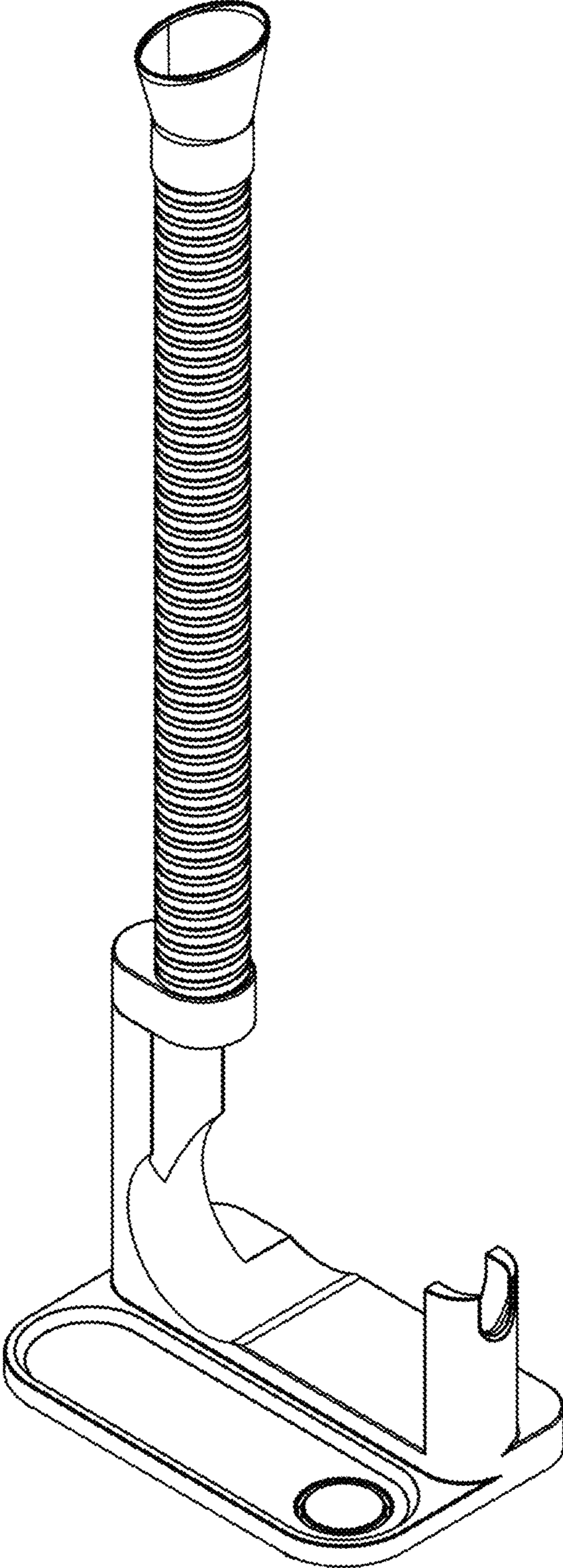


FIG. 2

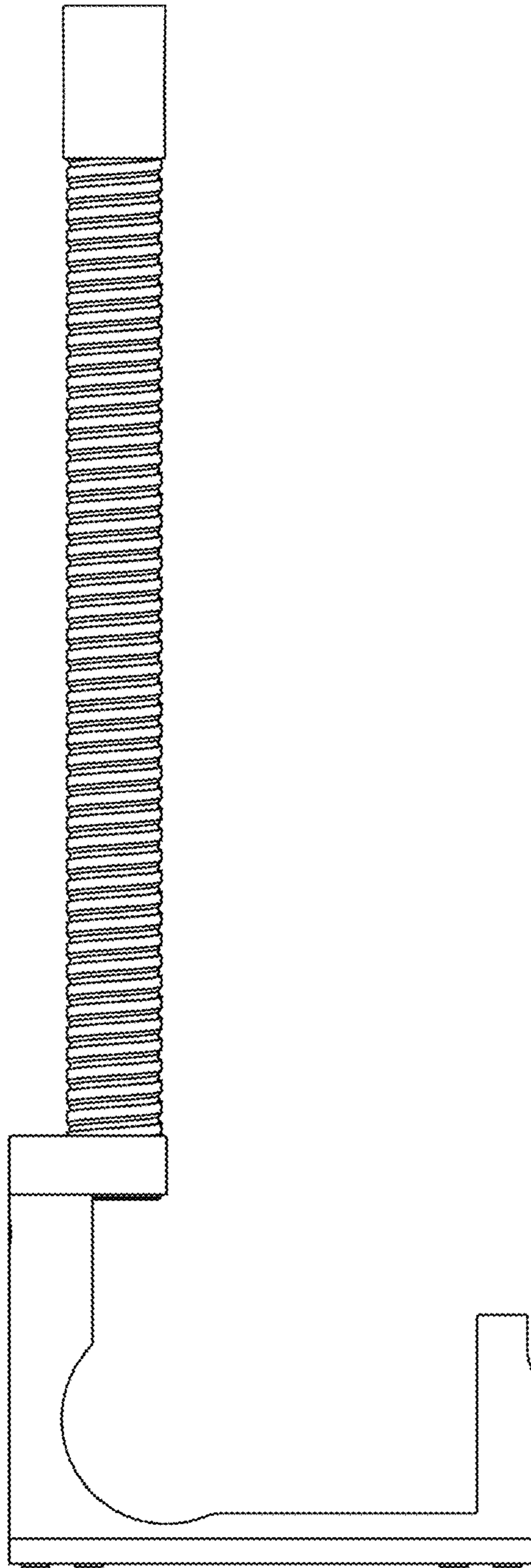


FIG. 3

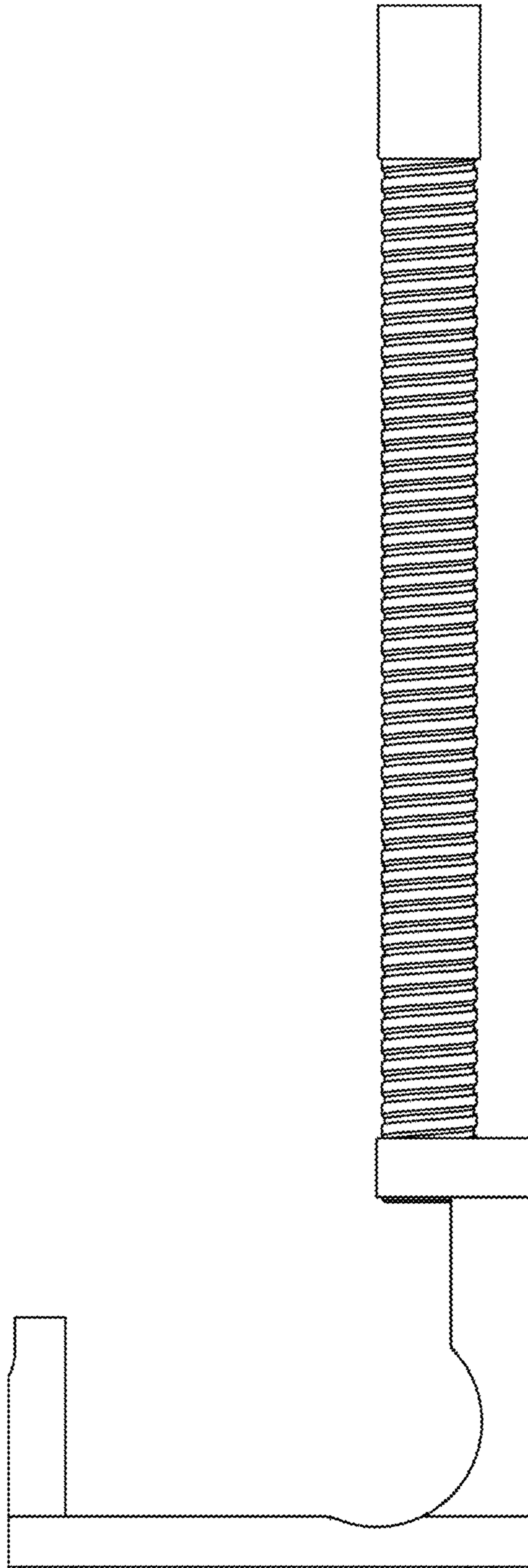


FIG. 4

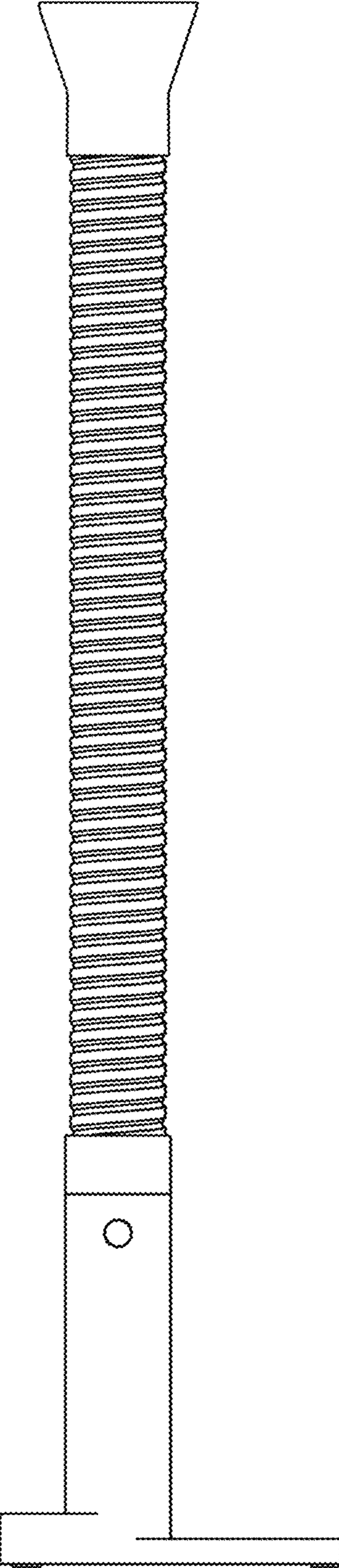


FIG. 5

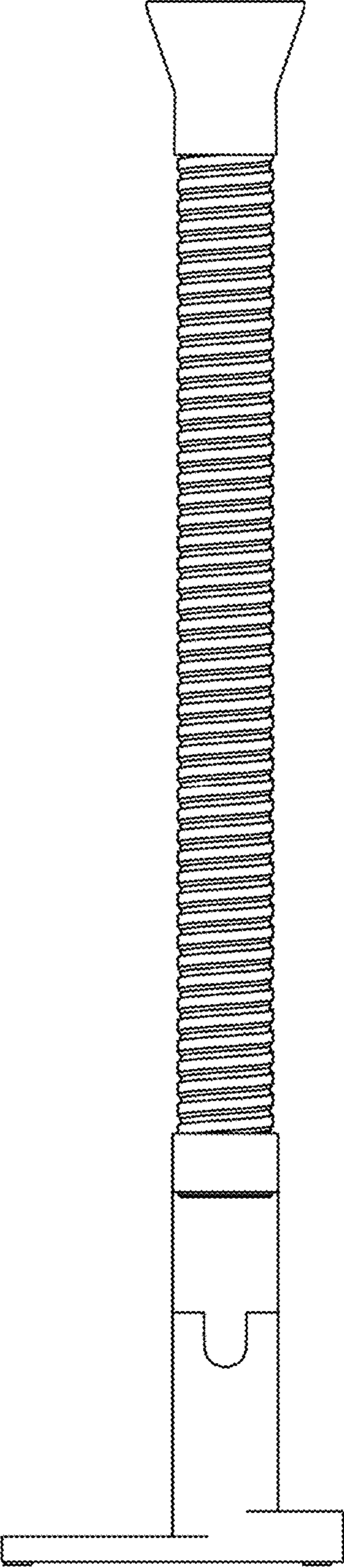


FIG. 6

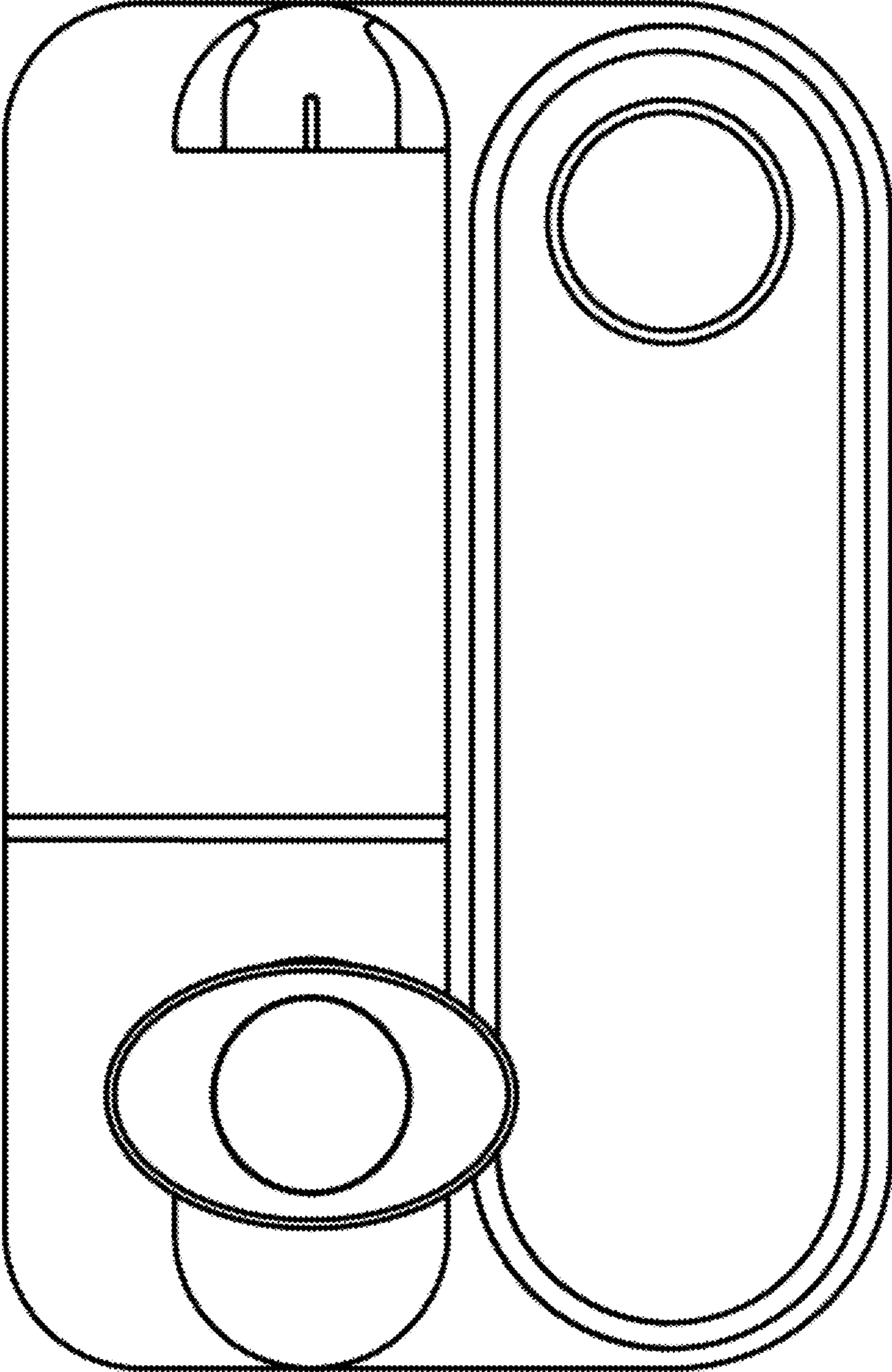


FIG. 7

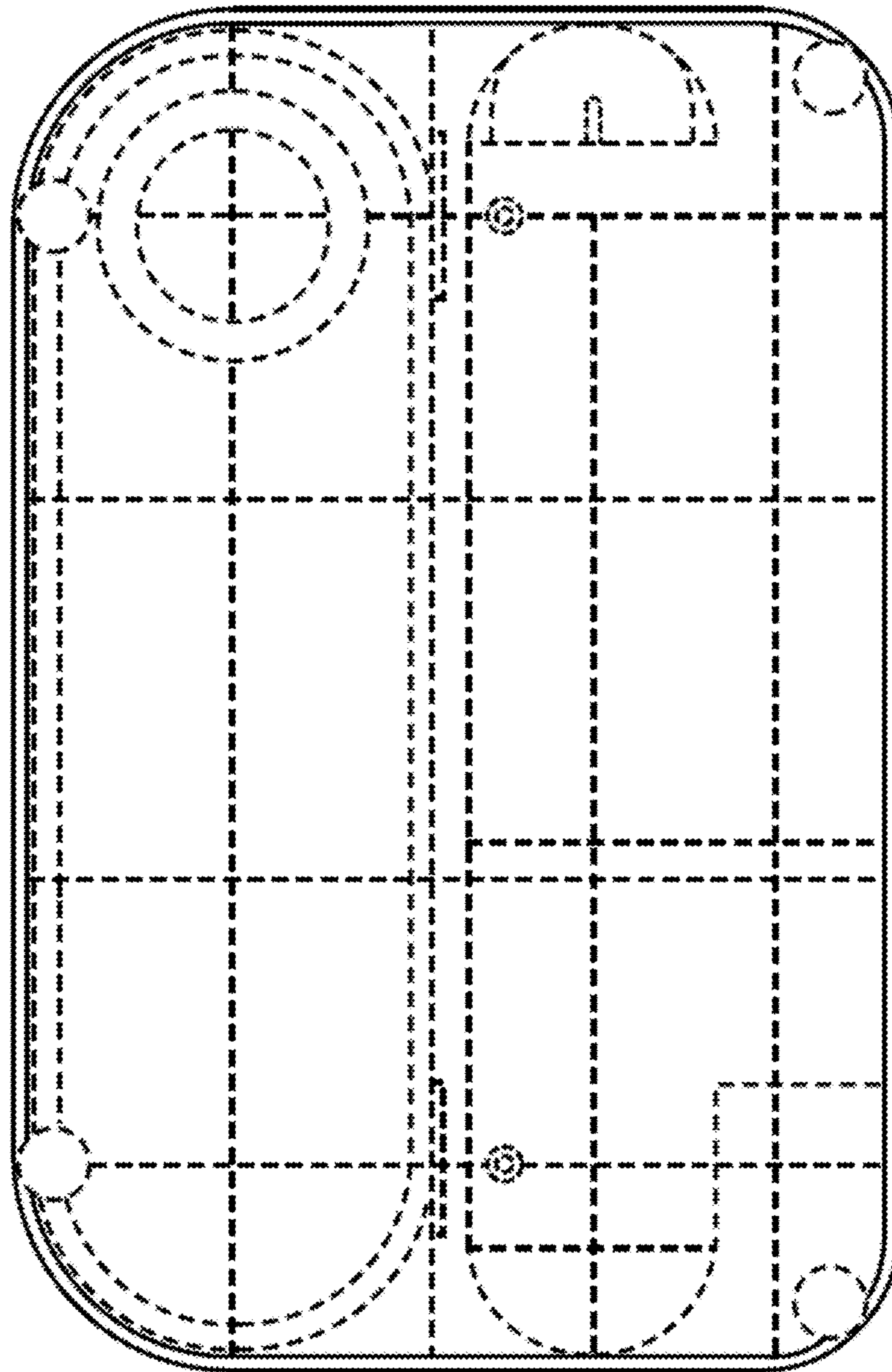


FIG.8

