



US00D985839S

(12) **United States Design Patent**
Chen et al.

(10) **Patent No.:** **US D985,839 S**

(45) **Date of Patent:** **** May 9, 2023**

(54) **HAIR DRYER**

(71) Applicant: **ZHEJIANG SIMON INDUSTRY & TRADE CO., LTD.**, Yongkang (CN)

(72) Inventors: **Huawei Chen**, Yongkang (CN); **Fangwang Li**, Yongkang (CN); **Jiawu Zhang**, Yongkang (CN); **Xiong Wang**, Yongkang (CN); **Longbao Lei**, Yongkang (CN)

(73) Assignee: **ZHEJIANG SIMON INDUSTRY & TRADE CO., LTD.**, Yongkang (CN)

(**) Term: **15 Years**

(21) Appl. No.: **29/797,287**

(22) Filed: **Jun. 30, 2021**

(51) **LOC (14) Cl.** **28-03**

(52) **U.S. Cl.**
USPC **D28/13**

(58) **Field of Classification Search**
USPC D28/12-19; D8/29.1
CPC A45D 20/00; A45D 20/04; A45D 20/08;
A45D 20/10; A45D 20/12; A45D
2020/128

See application file for complete search history.

(56) **References Cited**

U.S. PATENT DOCUMENTS

D270,380 S * 8/1983 Armstrong D28/13
D412,219 S * 7/1999 Goetschi D28/13

D425,242 S * 5/2000 Cheung D28/13
D858,873 S * 9/2019 Park D28/13
D900,389 S * 10/2020 Frankel D28/13
D903,940 S * 12/2020 Huang D28/13
D922,681 S * 6/2021 Frankel D28/13

* cited by examiner

Primary Examiner — Zenia I Bennett

(57) **CLAIM**

The ornamental design for a hair dryer, as shown and described.

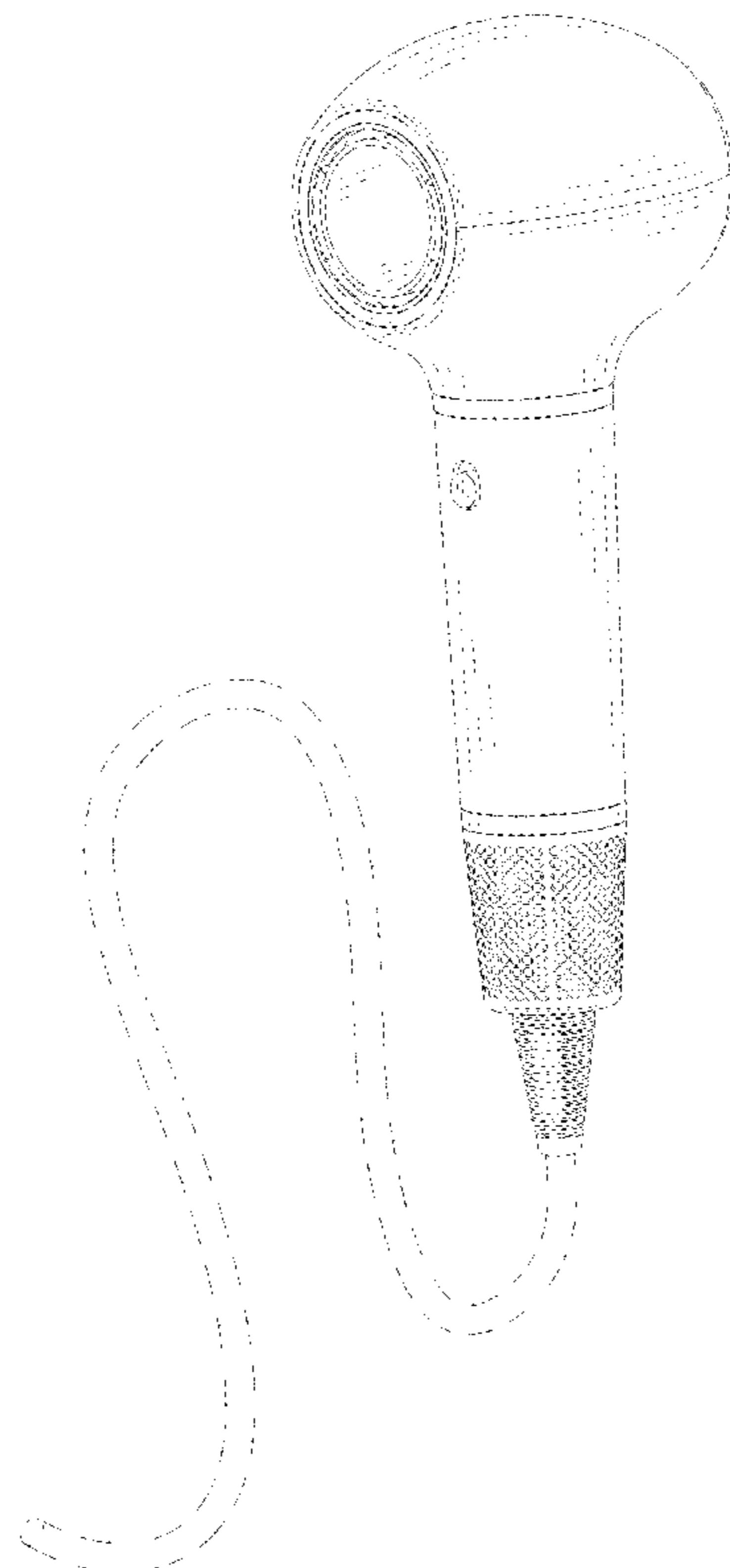
DESCRIPTION

FIG. 1 is a perspective view of a hair dryer showing our new design;
FIG. 2 is a front view thereof;
FIG. 3 is a rear view thereof;
FIG. 4 is a left side view thereof;
FIG. 5 is a right side view thereof;
FIG. 6 is a top view thereof;
FIG. 7 is a bottom view thereof; and,
FIG. 8 is a partially enlarged view showing the area "8" in FIG. 7.

The broken lines depict portions of the hair dryer in which the design is embodied that form no part of the claimed design.

The dot-dash broken lines indicating an enlargement portion of the design form no part of the claimed design.

1 Claim, 8 Drawing Sheets



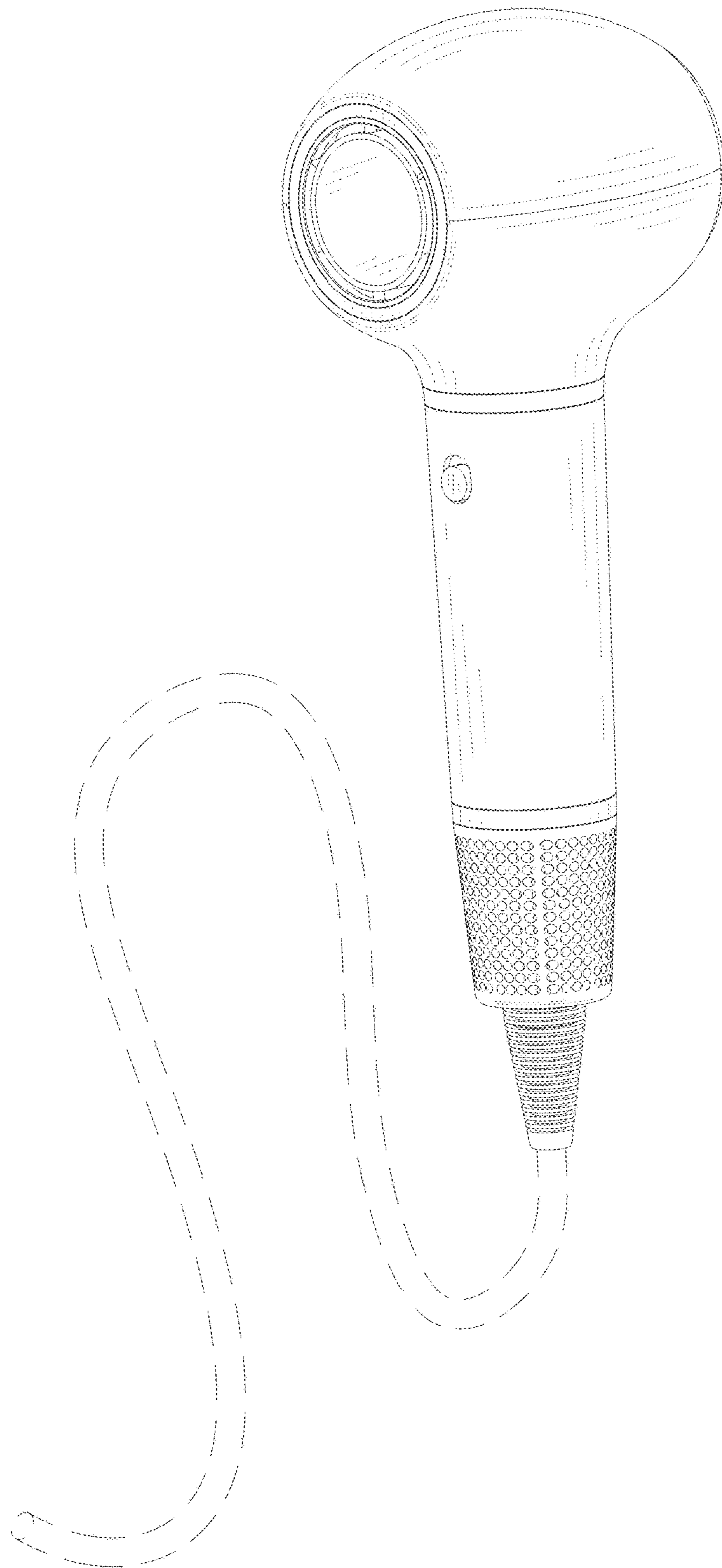


FIG. 1

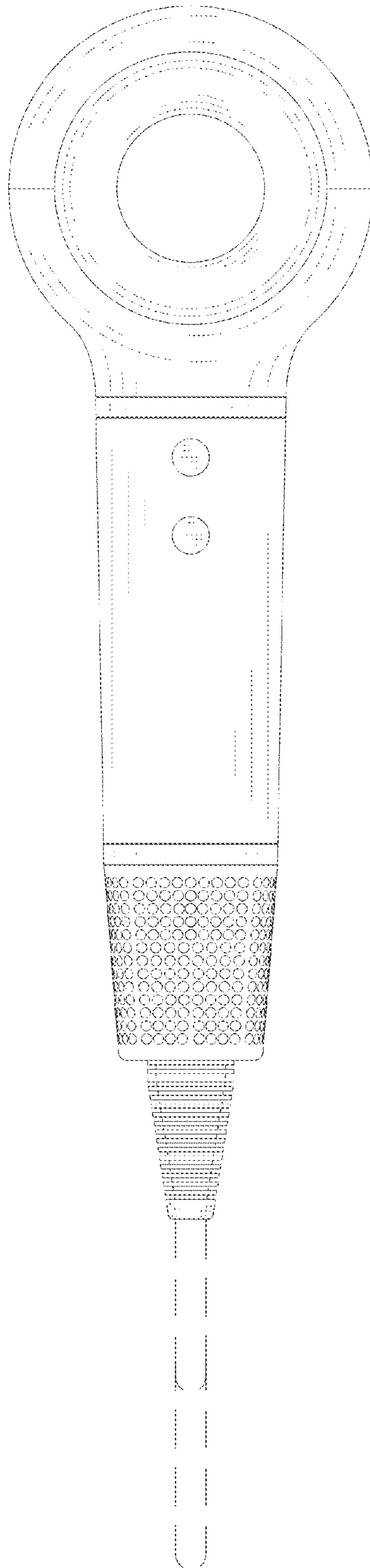


FIG. 2

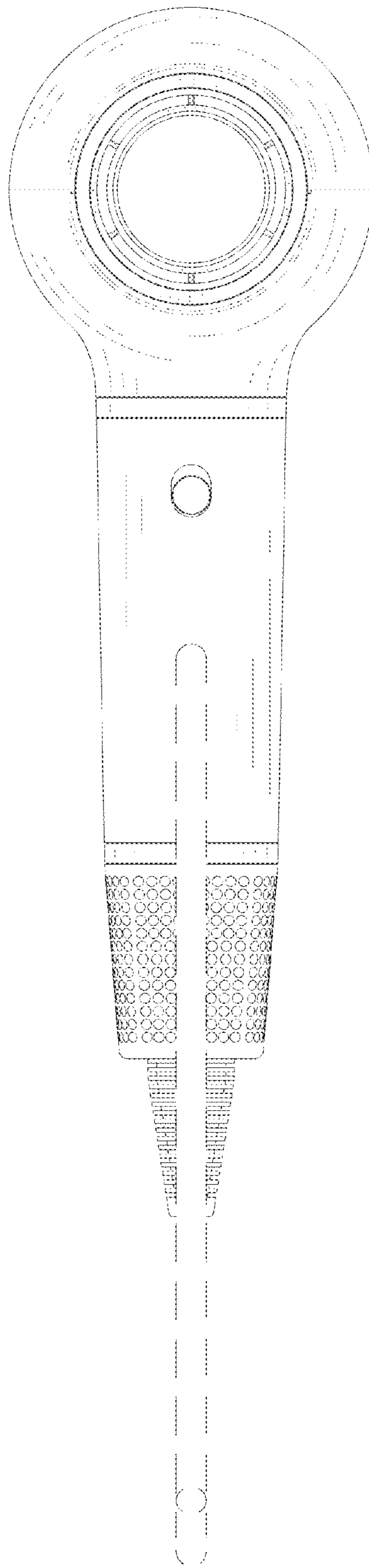


FIG. 3

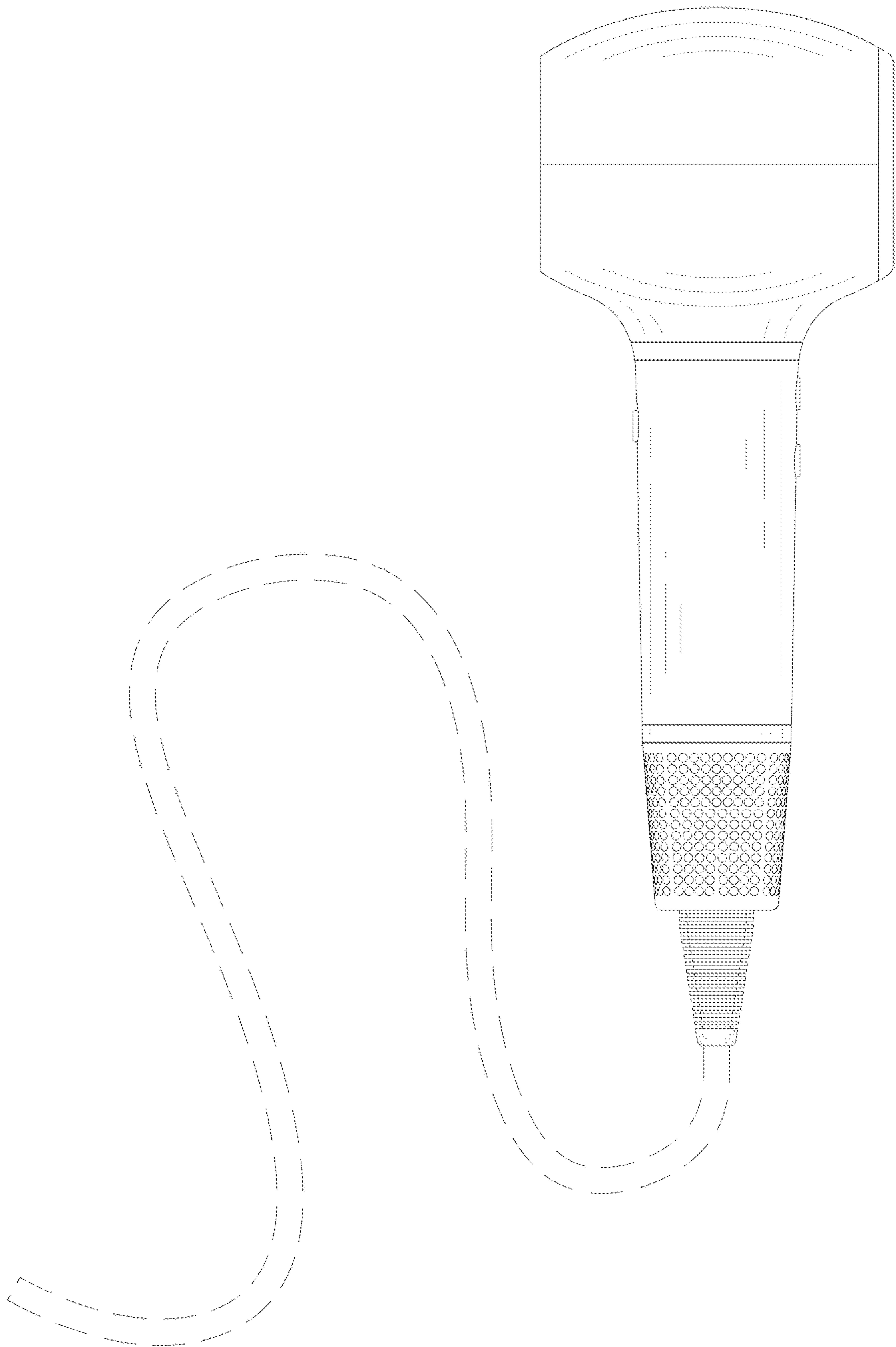


FIG. 4

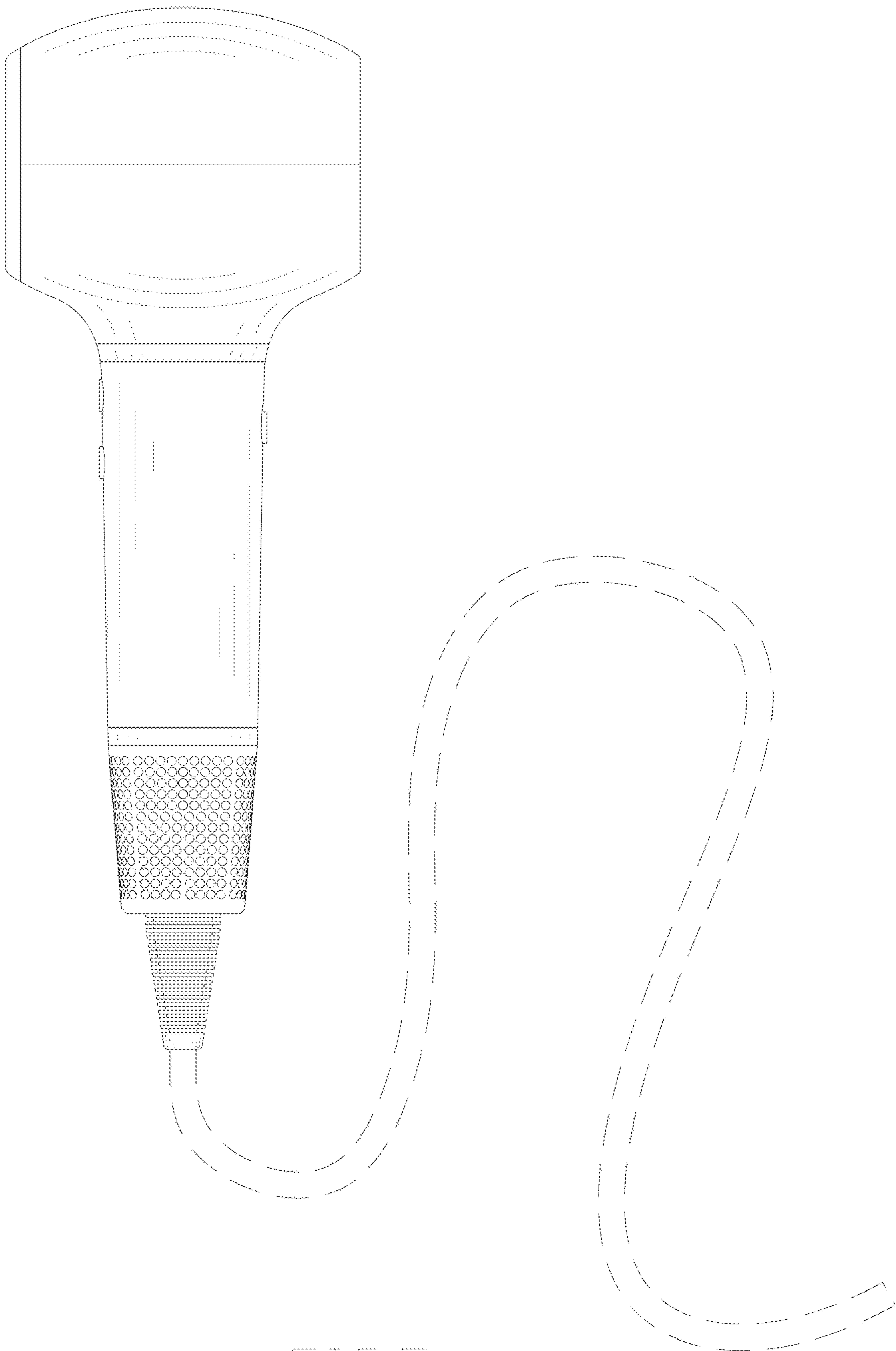


FIG. 5

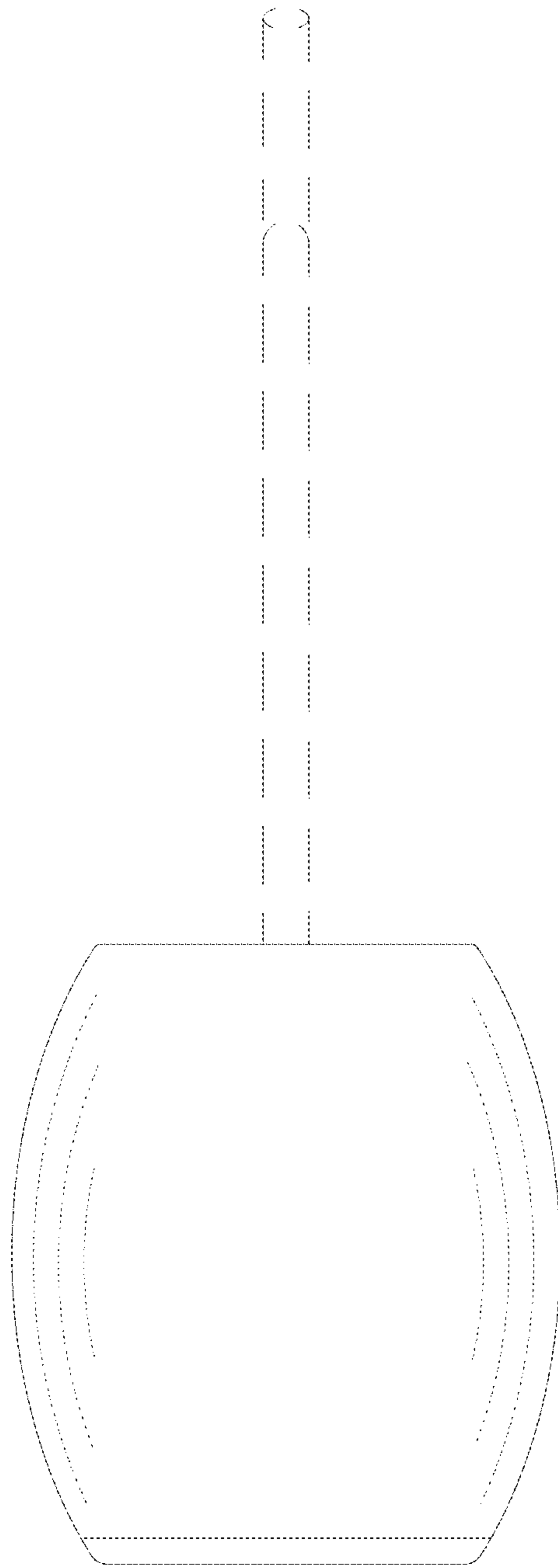


FIG. 6

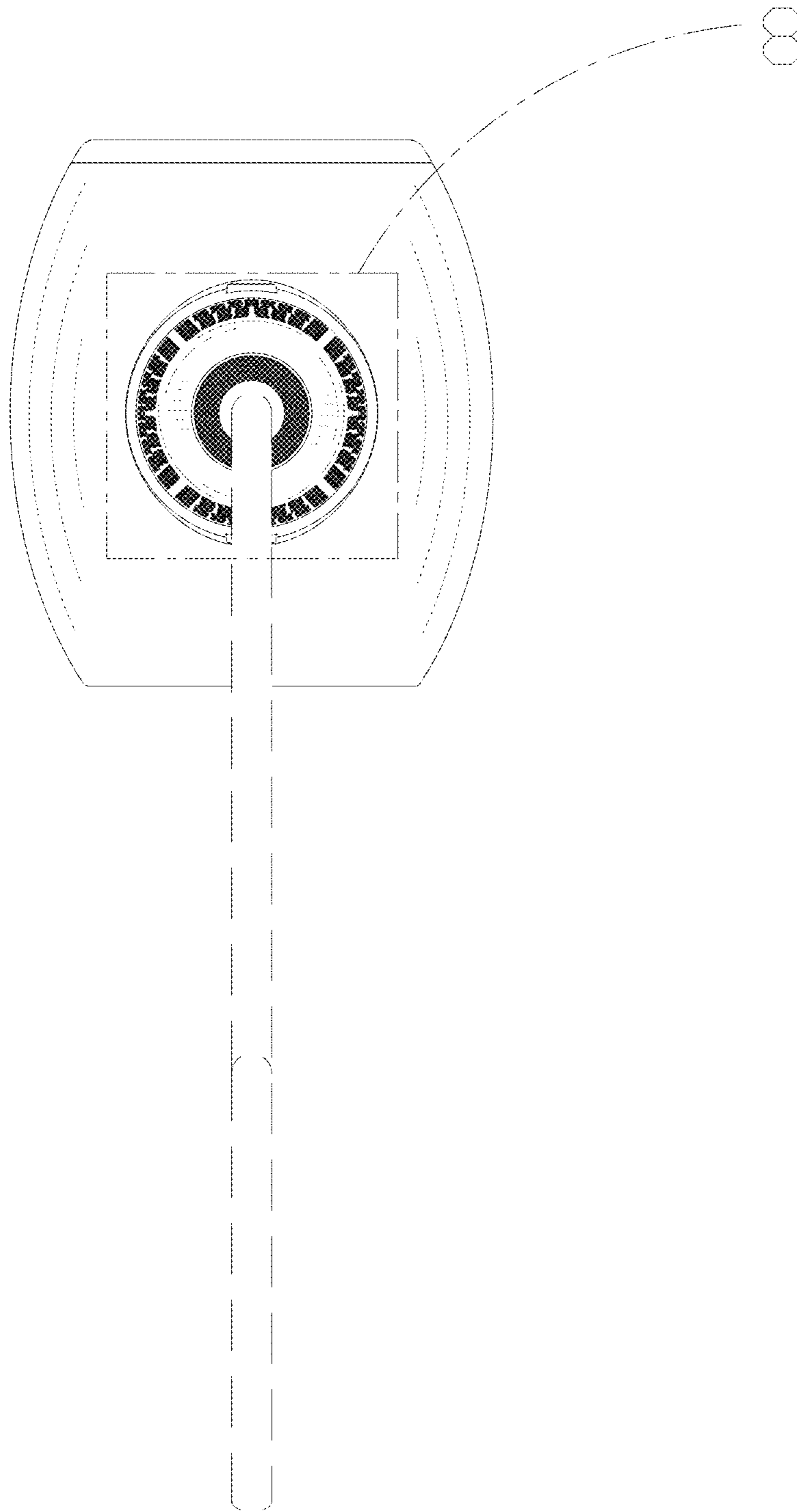


FIG. 7

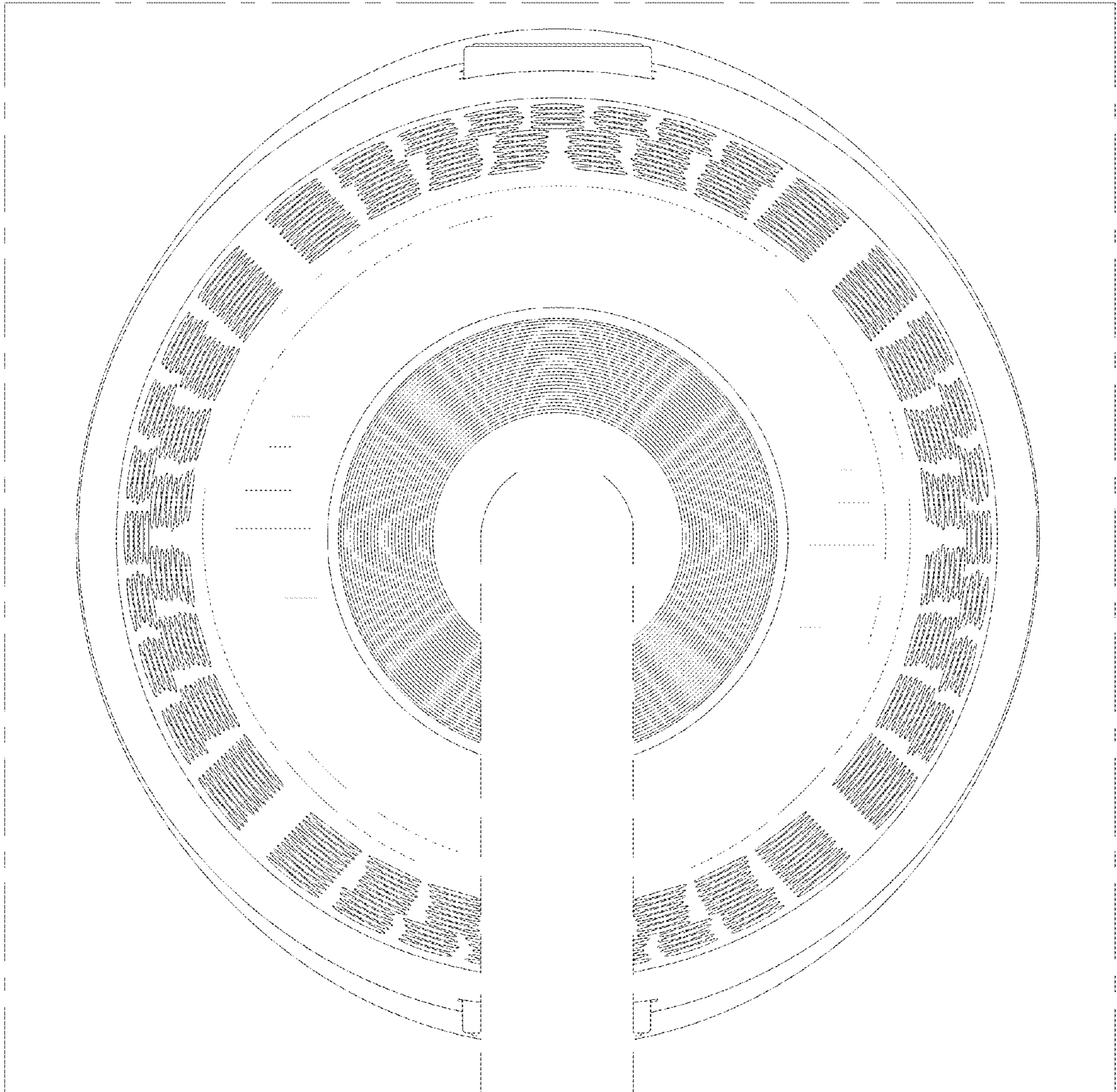


FIG. 8