



US00D985838S

(12) **United States Design Patent** (10) **Patent No.:** **US D985,838 S**
Santos et al. (45) **Date of Patent:** **** May 9, 2023**

(54) **HAIR DRYER**
(71) Applicant: **CONAIR LLC**, Stamford, CT (US)
(72) Inventors: **Mary Santos**, Stamford, CT (US);
Daniel Bishop, Trumbull, CT (US);
Sophia Wojczak, Harrison, NY (US)
(73) Assignee: **Conair LLC**, Stamford, CT (US)
(**) Term: **15 Years**
(21) Appl. No.: **29/795,667**
(22) Filed: **Jun. 20, 2021**
(51) **LOC (14) Cl.** **28-03**
(52) **U.S. Cl.**
USPC **D28/13**
(58) **Field of Classification Search**
USPC D28/12-19; D8/29.1
CPC A45D 20/00; A45D 20/04; A45D 20/08;
A45D 20/10; A45D 20/12; A45D
2020/128
See application file for complete search history.

D681,274 S 4/2013 Huang
D715,485 S 10/2014 Parodi
D723,739 S 3/2015 Helmbold et al.
D726,369 S 4/2015 Richmond et al.
D758,657 S 6/2016 Hary
D815,353 S 4/2018 Barbar
D821,647 S 6/2018 Parodi
D858,874 S 9/2019 Parodi
D865,284 S * 10/2019 Janowick D28/13
D888,333 S 6/2020 Shigeru
D899,683 S 10/2020 Brady et al.
D909,675 S * 2/2021 Huang D28/13
D931,532 S * 9/2021 de Gouzillon de Belizal
D28/13
D953,634 S * 5/2022 Santos D28/13

* cited by examiner

Primary Examiner — Zenia I Bennett
(74) *Attorney, Agent, or Firm* — Grogan, Tuccillo & Vanderleeden LLP

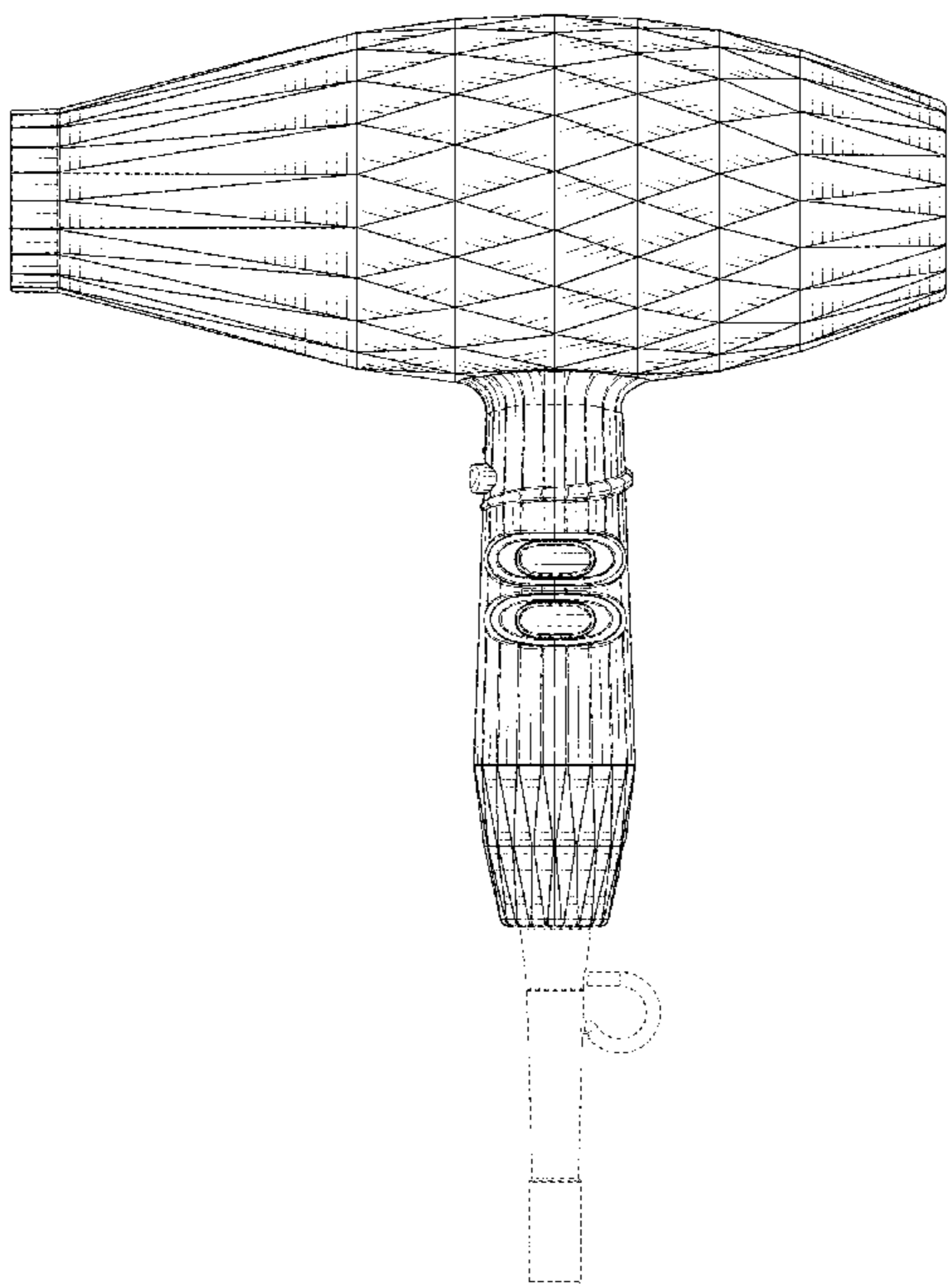
(57) **CLAIM**
The ornamental design for a hair dryer, as shown and described.

DESCRIPTION

FIG. 1 is a rear perspective view of a hair dryer showing a new design;
FIG. 2 is a front perspective view thereof;
FIG. 3 is a right side elevational view thereof;
FIG. 4 is a left side elevational view thereof;
FIG. 5 is front elevational view thereof;
FIG. 6 is a rear elevational view thereof;
FIG. 7 is a top plan view thereof; and,
FIG. 8 is a bottom plan view thereof.
The broken lines are for illustrative purposes only and form no part of the claimed design.

1 Claim, 6 Drawing Sheets

(56) **References Cited**
U.S. PATENT DOCUMENTS
D277,789 S 2/1985 Pajak
D494,710 S 8/2004 Parodi
D502,783 S 3/2005 Yeung
D518,918 S 4/2006 Rizzuto et al.
D543,313 S 5/2007 Petruccelli, Jr.
D544,147 S 6/2007 Baudouin
D544,998 S * 6/2007 Petruccelli D28/13
D604,899 S 11/2009 Habibi
D617,048 S 6/2010 Kim
D627,510 S 11/2010 Zabala
D641,521 S 7/2011 Parodi



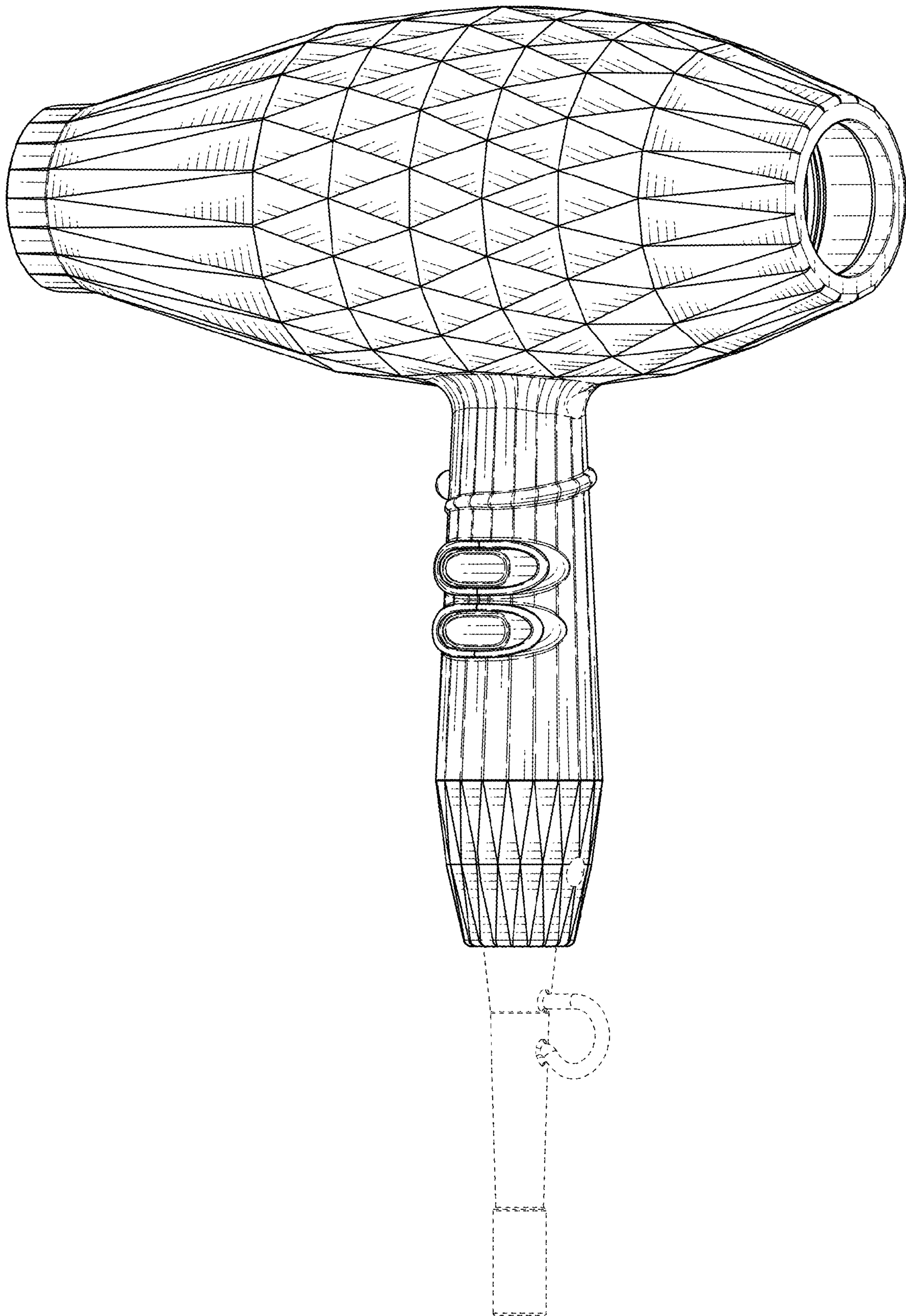


FIG. 1

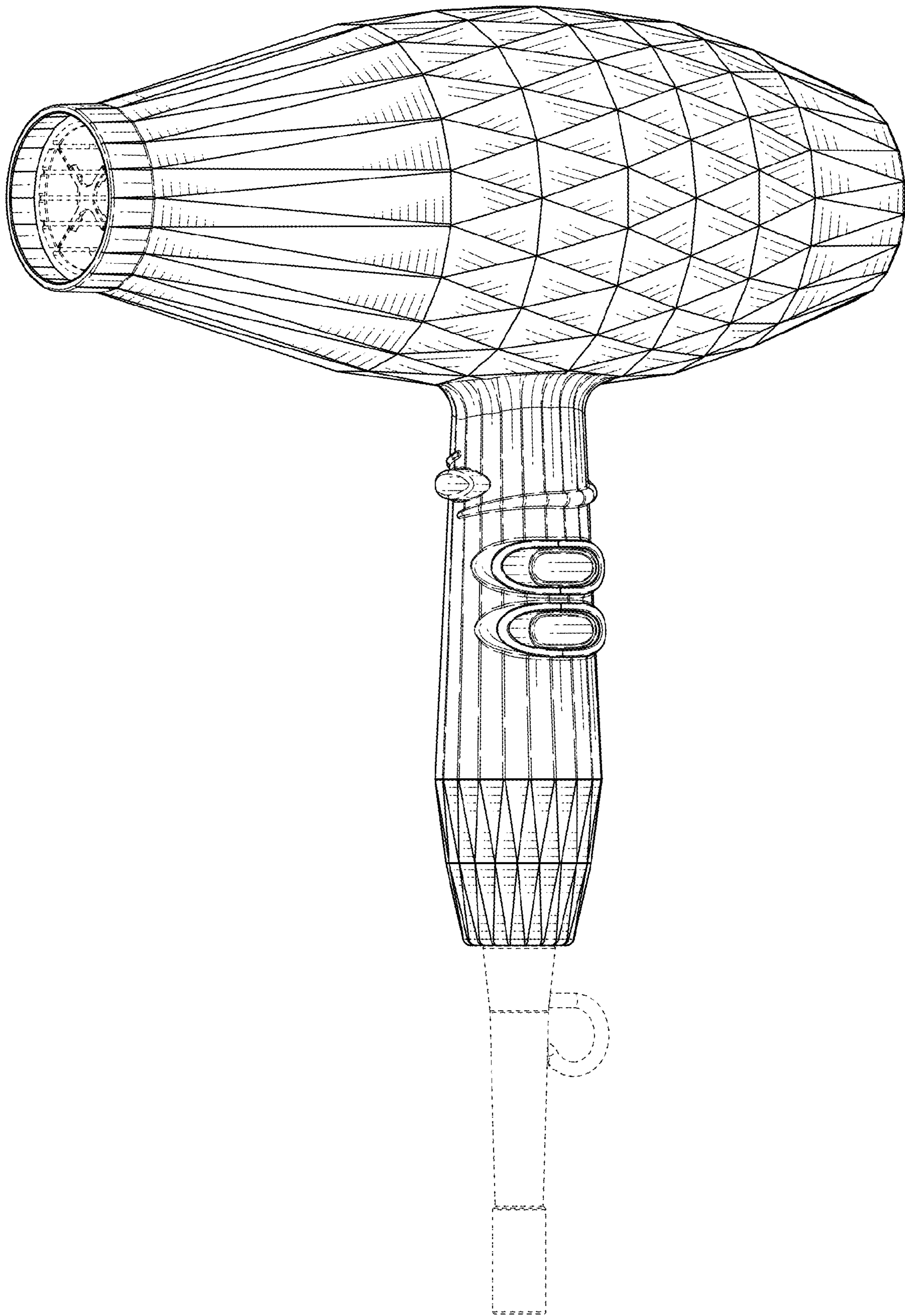


FIG. 2

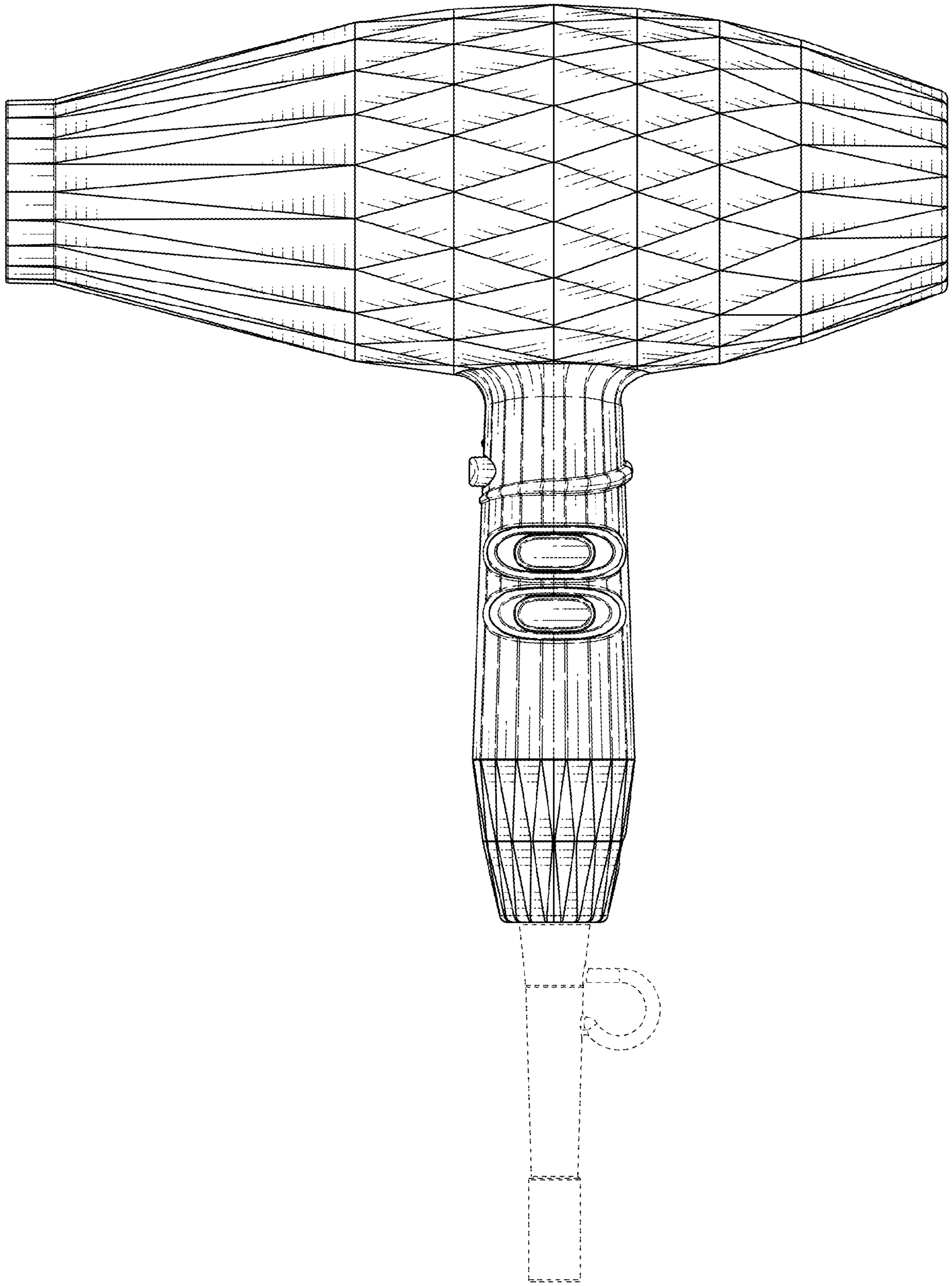


FIG. 3

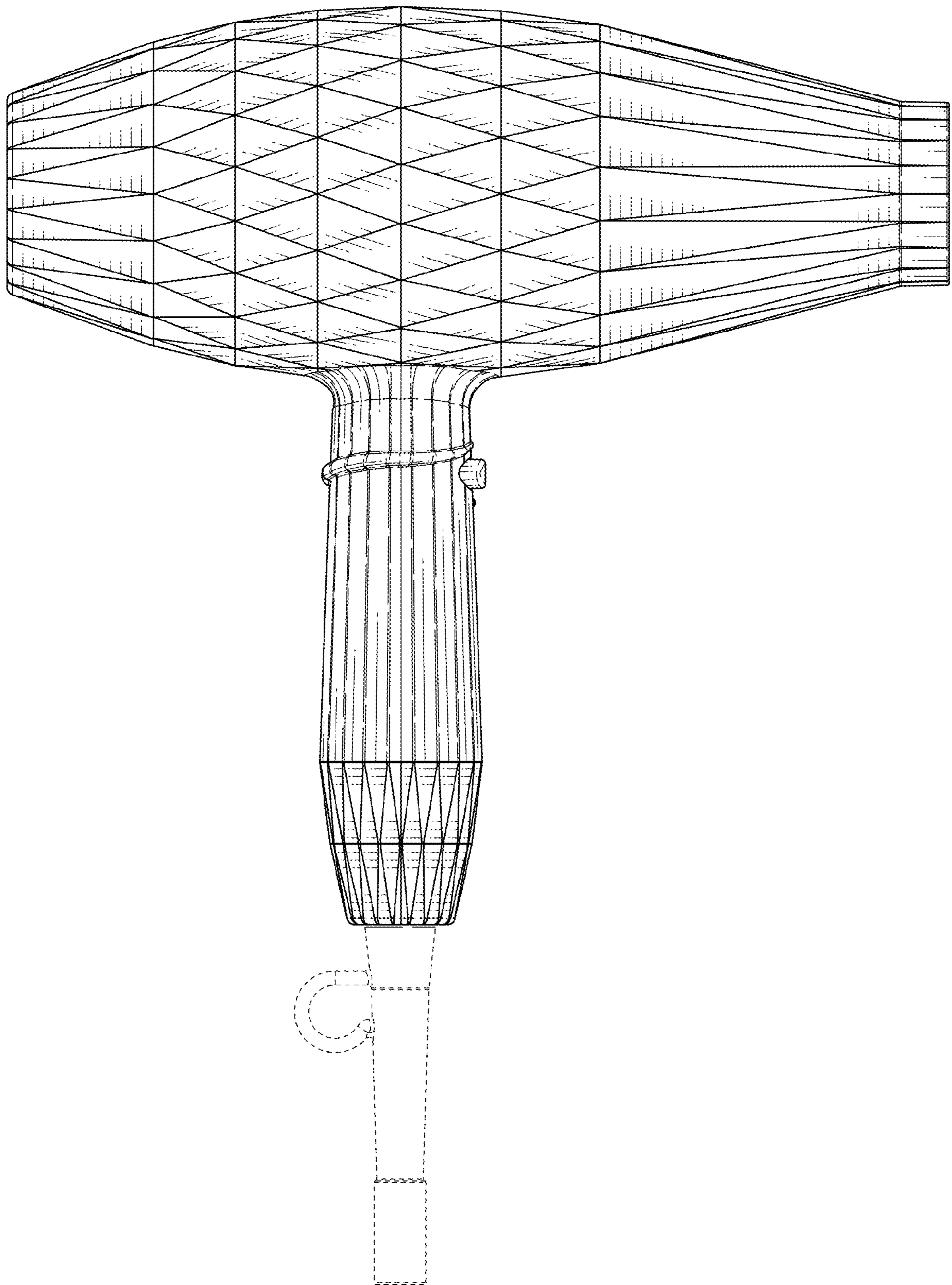


FIG. 4

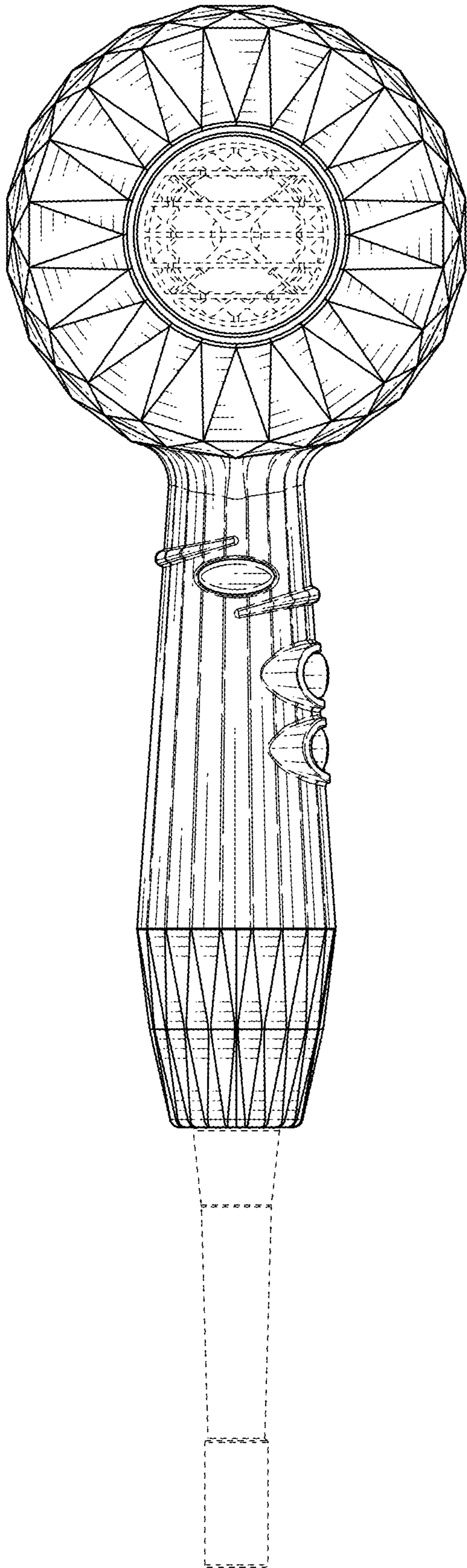


FIG. 5

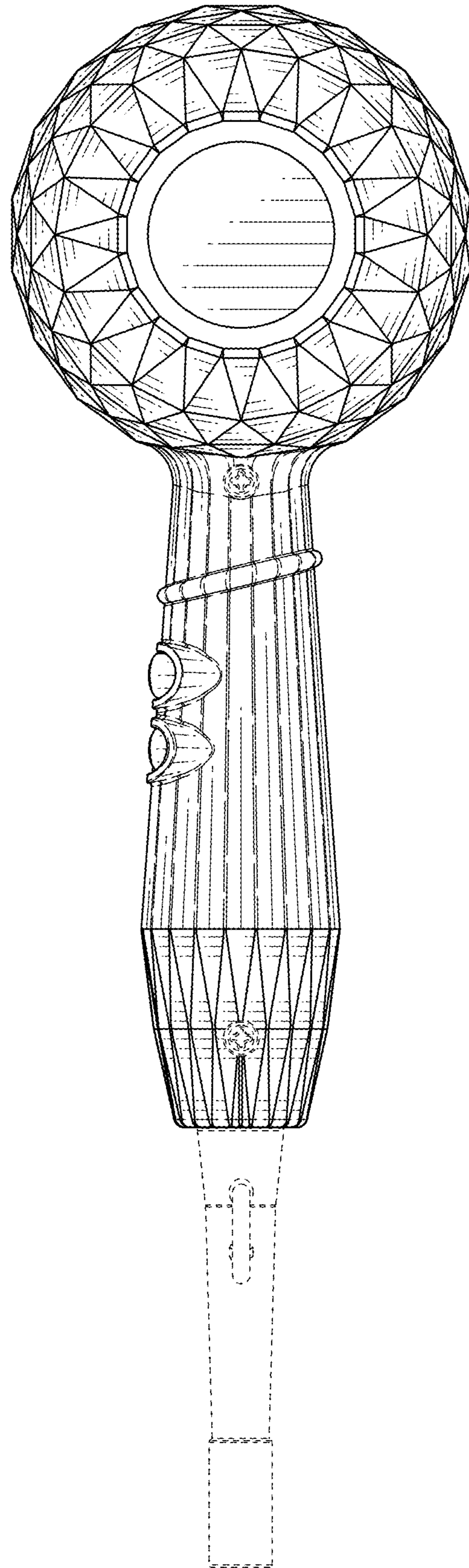


FIG. 6

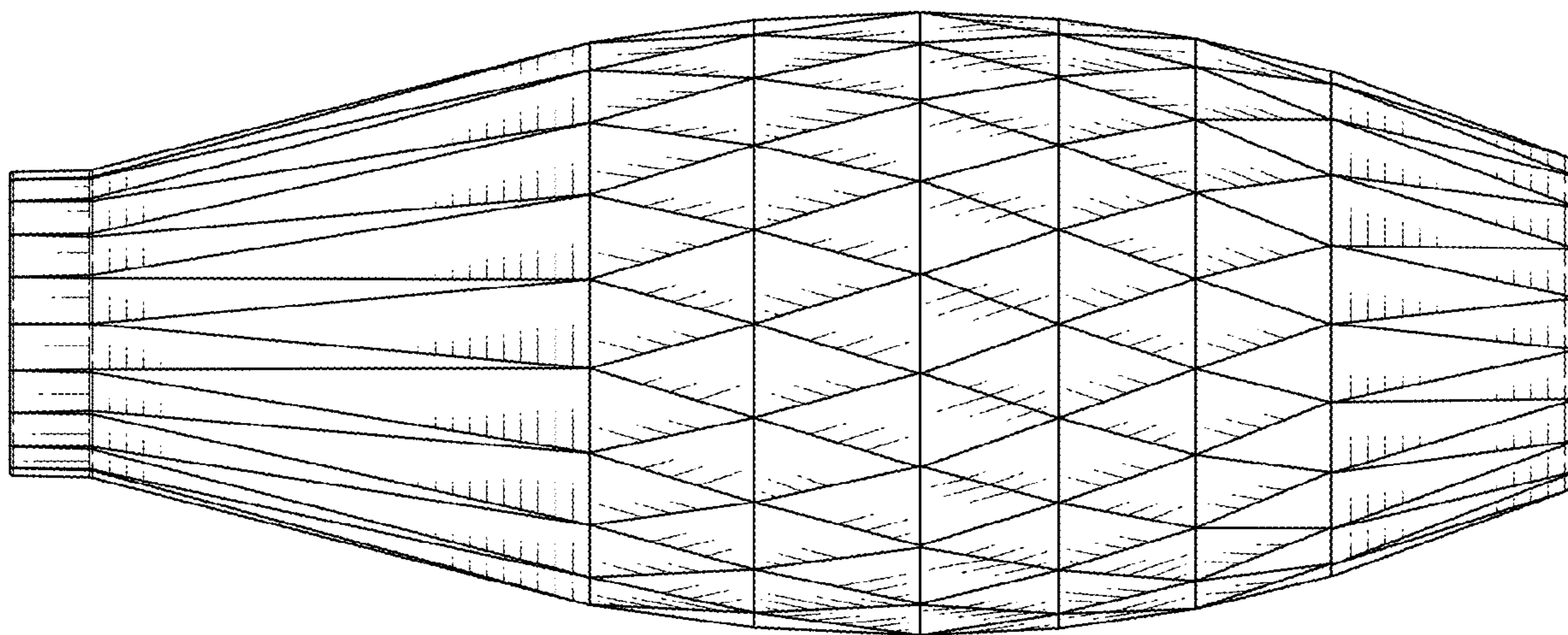


FIG. 7

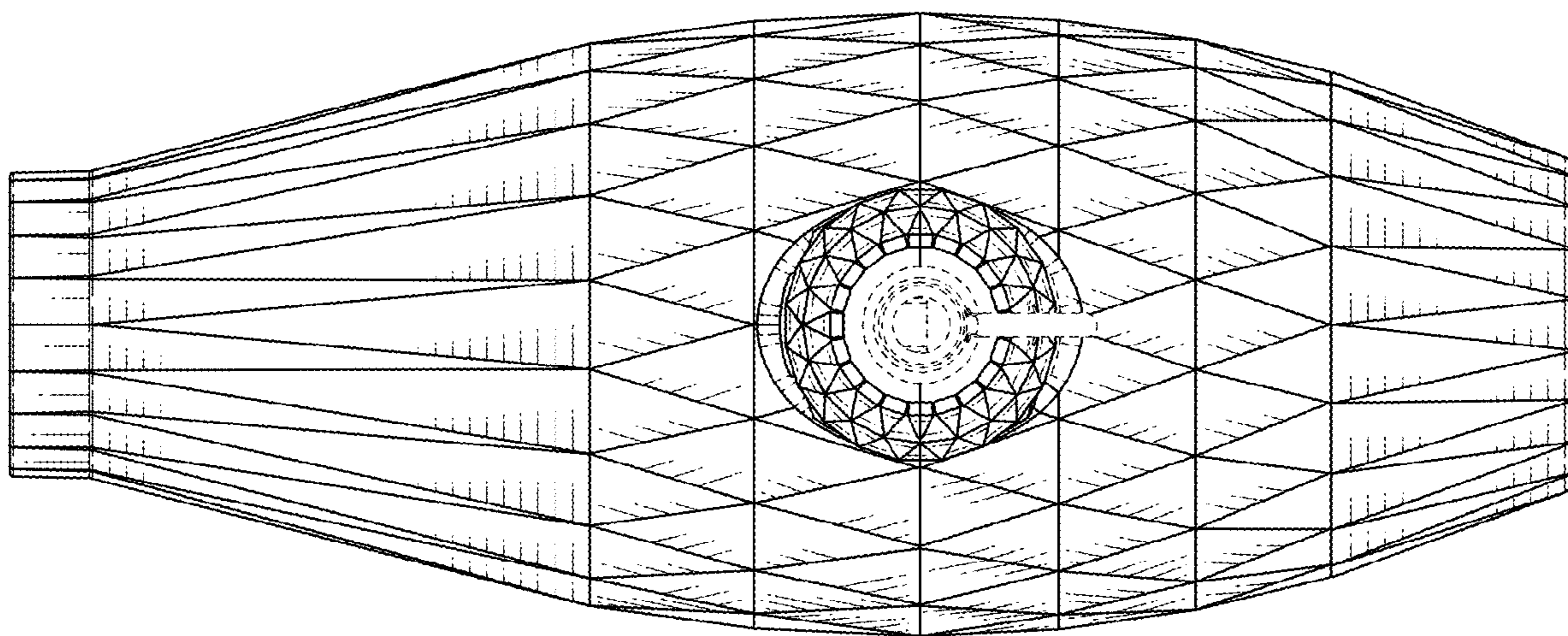


FIG. 8