



US00D985837S

(12) **United States Design Patent**  
**Lei**

(10) **Patent No.:** **US D985,837 S**

(45) **Date of Patent:** **\*\* May 9, 2023**

(54) **HAIR DRYER**

(71) Applicant: **SHENZHEN CAR KU TECHNOLOGY CO., LIMITED**,  
Guangdong (CN)

(72) Inventor: **Yun Lei**, Guangdong (CN)

(73) Assignee: **SHENZHEN CAR KU TECHNOLOGY CO., LIMITED**,  
Shenzhen (CN)

(\*\*) Term: **15 Years**

(21) Appl. No.: **29/782,609**

(22) Filed: **May 7, 2021**

(51) **LOC (14) Cl.** ..... **28-03**

(52) **U.S. Cl.**  
USPC ..... **D28/13**

(58) **Field of Classification Search**  
USPC ..... D28/12-19; D8/29.1  
CPC ..... A45D 20/00; A45D 20/04; A45D 20/08;  
A45D 20/10; A45D 20/12; A45D  
2020/128  
See application file for complete search history.

(56) **References Cited**

**U.S. PATENT DOCUMENTS**

D253,253 S \* 10/1979 Rakocy ..... D28/13  
D299,874 S \* 2/1989 Yamagami ..... D28/16

D782,732 S \* 3/2017 Smith ..... D28/13  
D782,733 S \* 3/2017 Smith ..... D28/13  
D884,965 S \* 5/2020 Liu ..... D28/13  
D914,968 S \* 3/2021 Huang ..... D28/13  
D955,636 S \* 6/2022 Zou ..... D28/13

\* cited by examiner

*Primary Examiner* — Zenia I Bennett

(74) *Attorney, Agent, or Firm* — Hauptman Ham, LLP

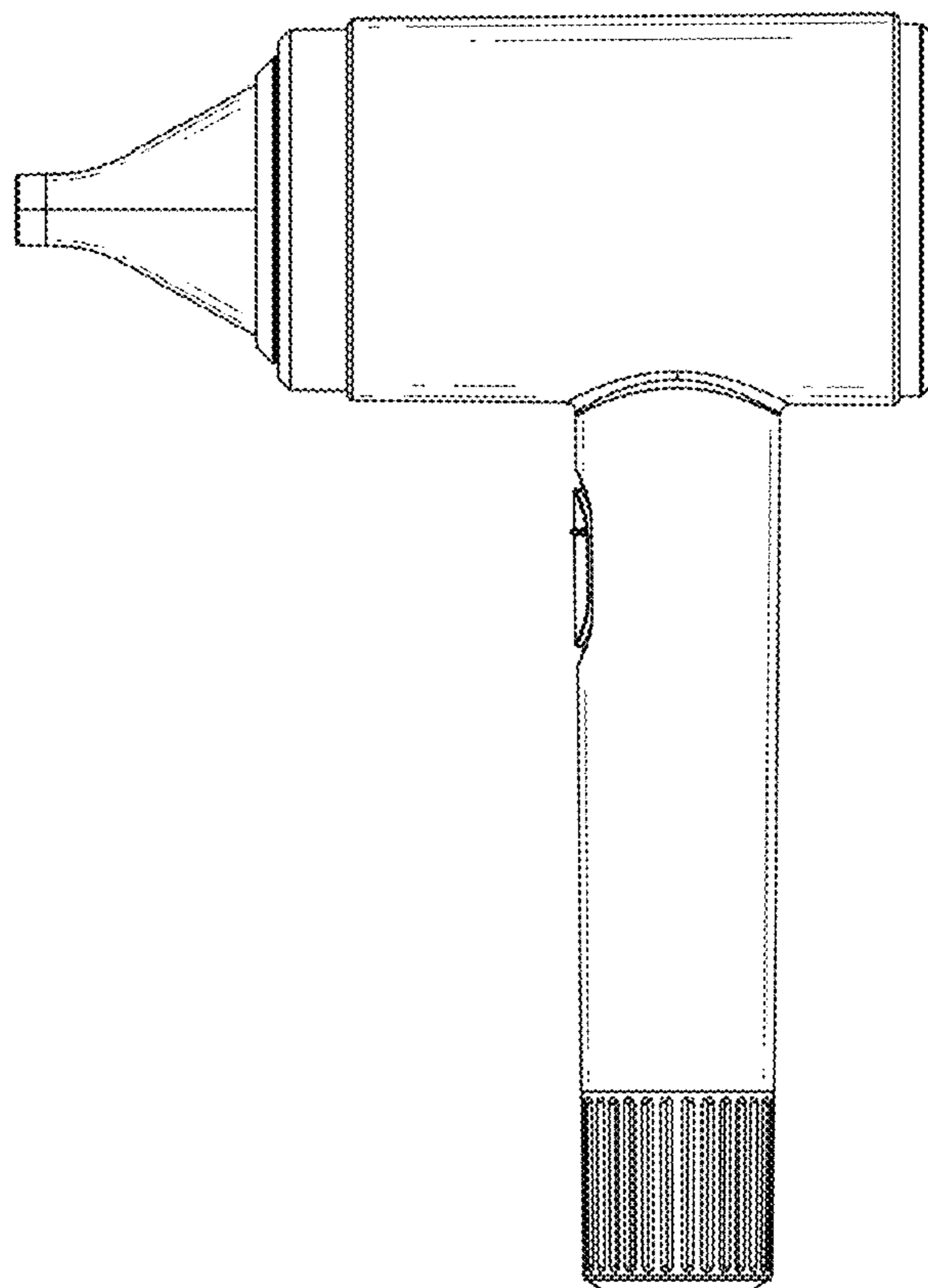
(57) **CLAIM**

The ornamental design for a hair dryer, as shown and described.

**DESCRIPTION**

FIG. 1 is a front view of a hair dryer showing our new design;  
FIG. 2 is a rear view thereof;  
FIG. 3 is a left side view thereof;  
FIG. 4 is a right side view thereof;  
FIG. 5 is a top view thereof;  
FIG. 6 is a bottom view thereof; and,  
FIG. 7 is a top, front perspective view thereof.

**1 Claim, 7 Drawing Sheets**



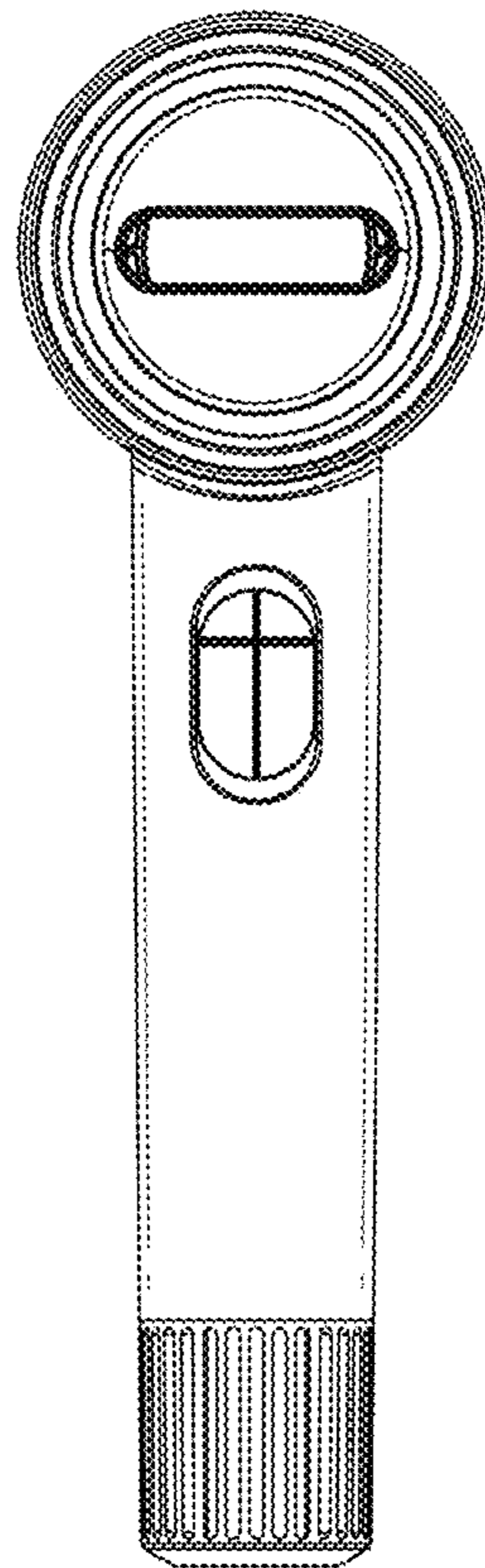


FIG.1

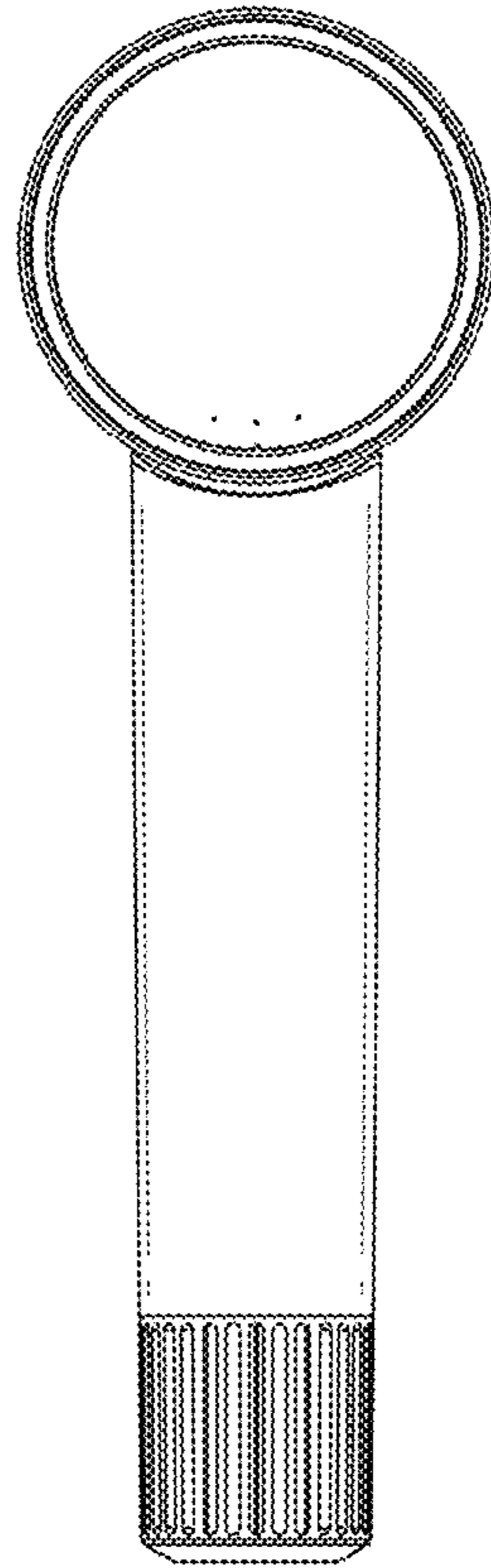


FIG.2

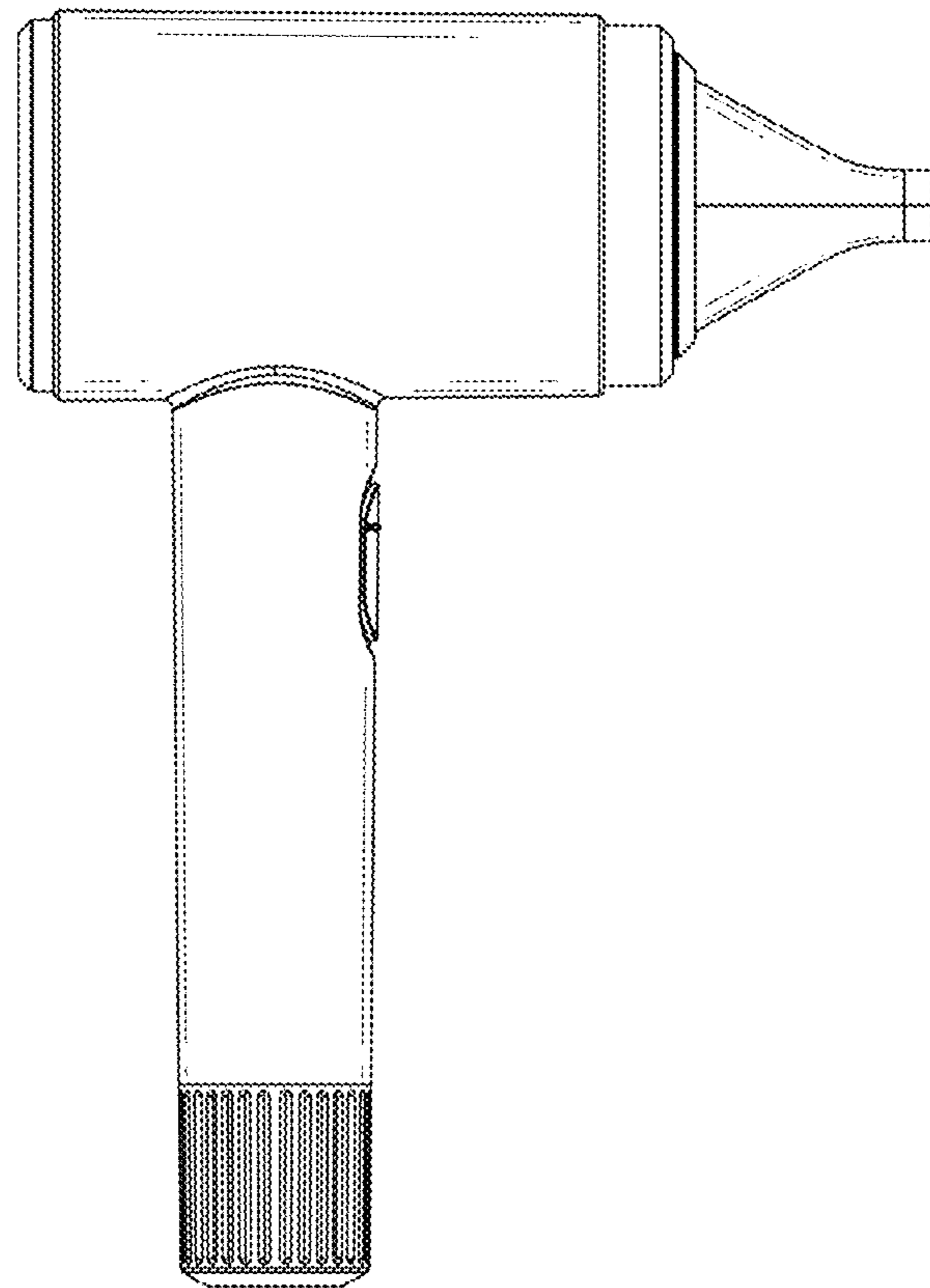


FIG.3

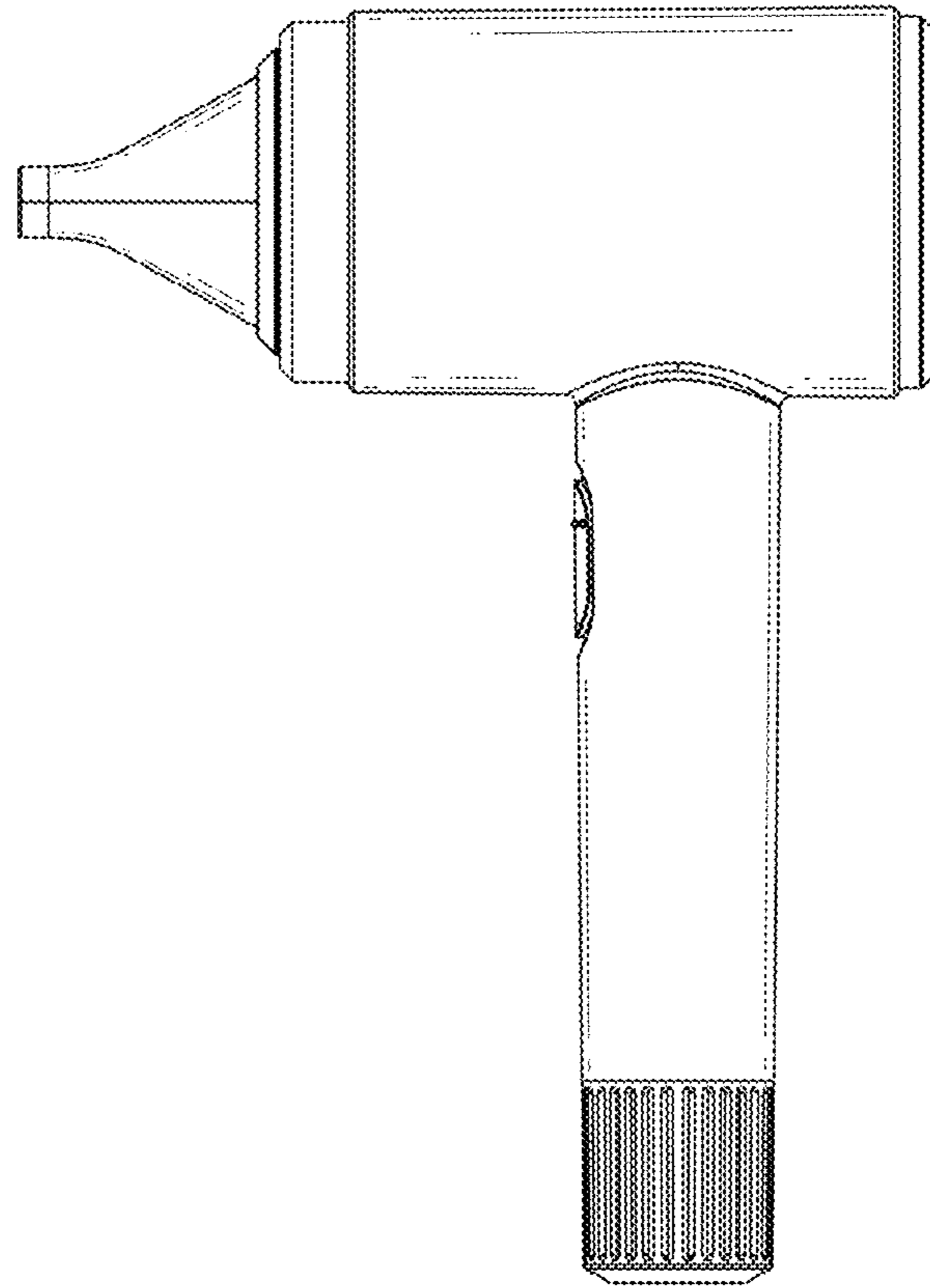


FIG.4

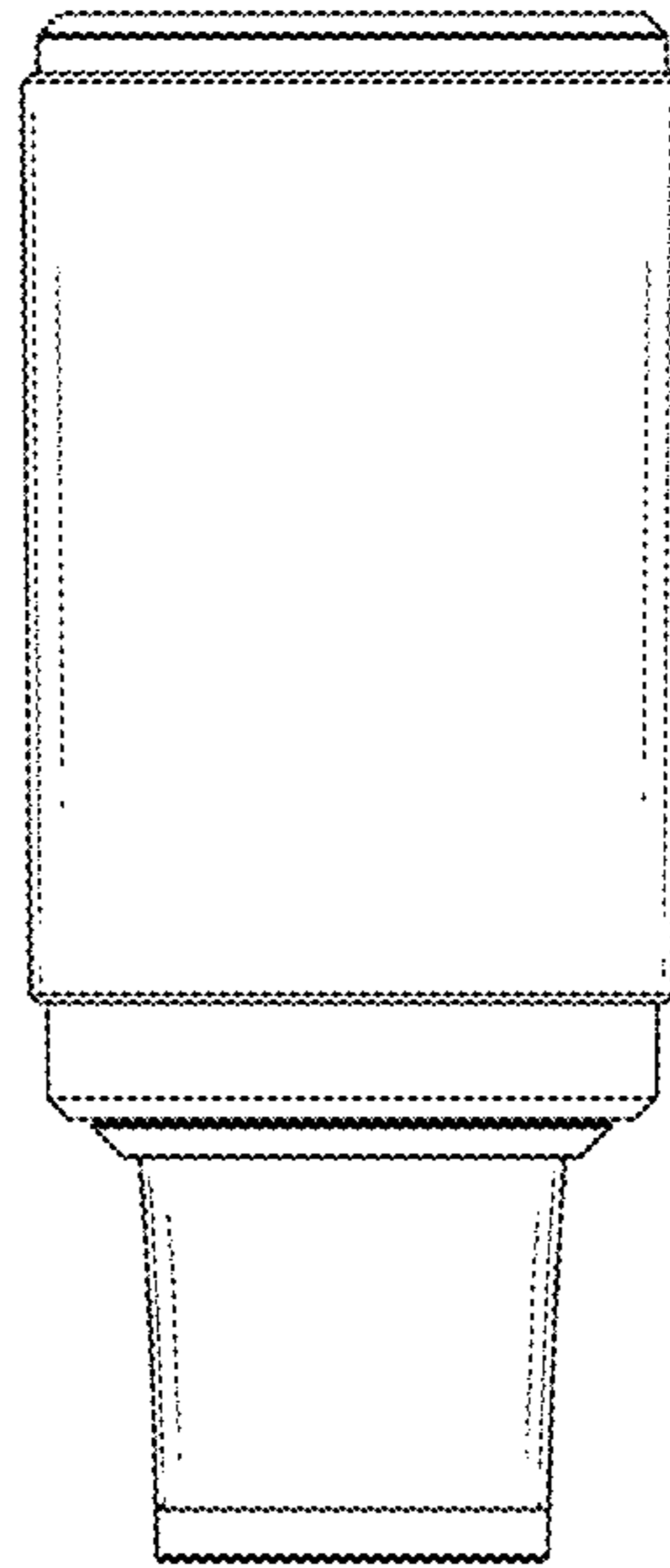


FIG.5

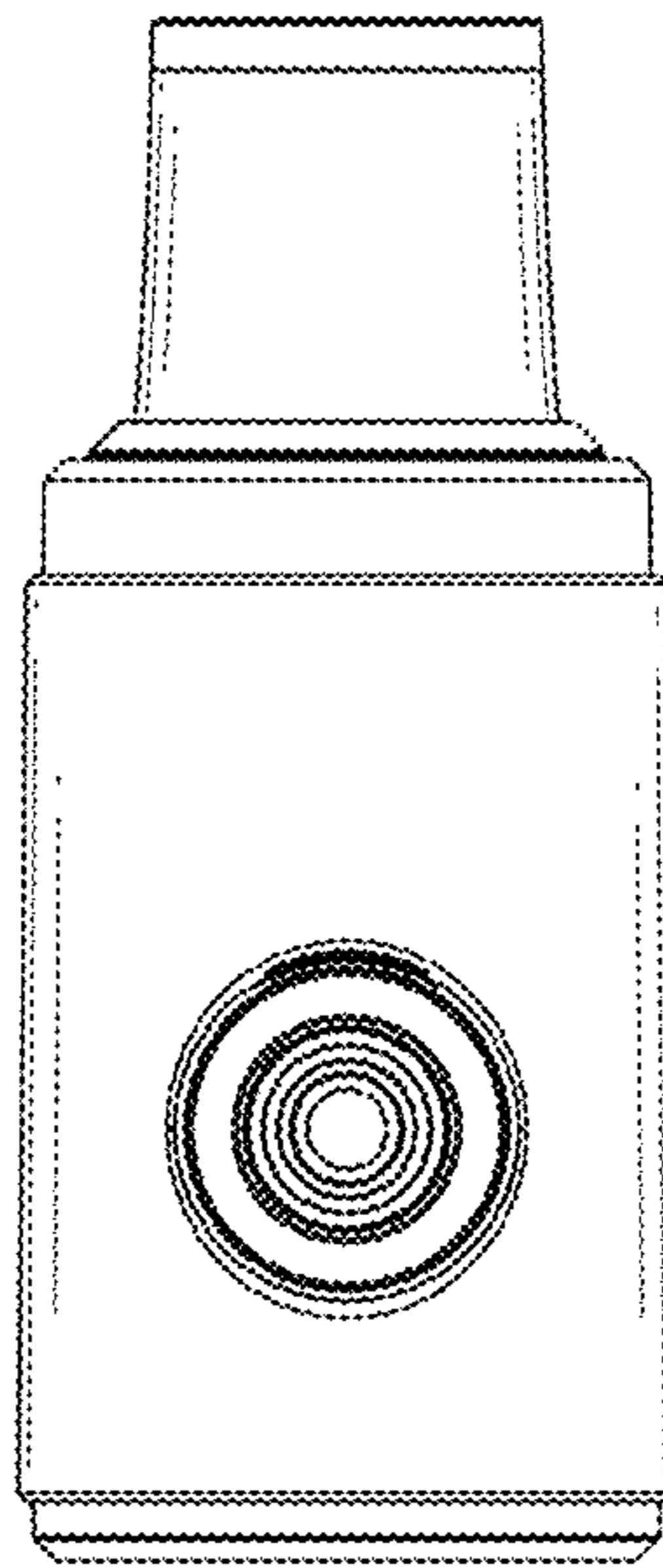


FIG.6

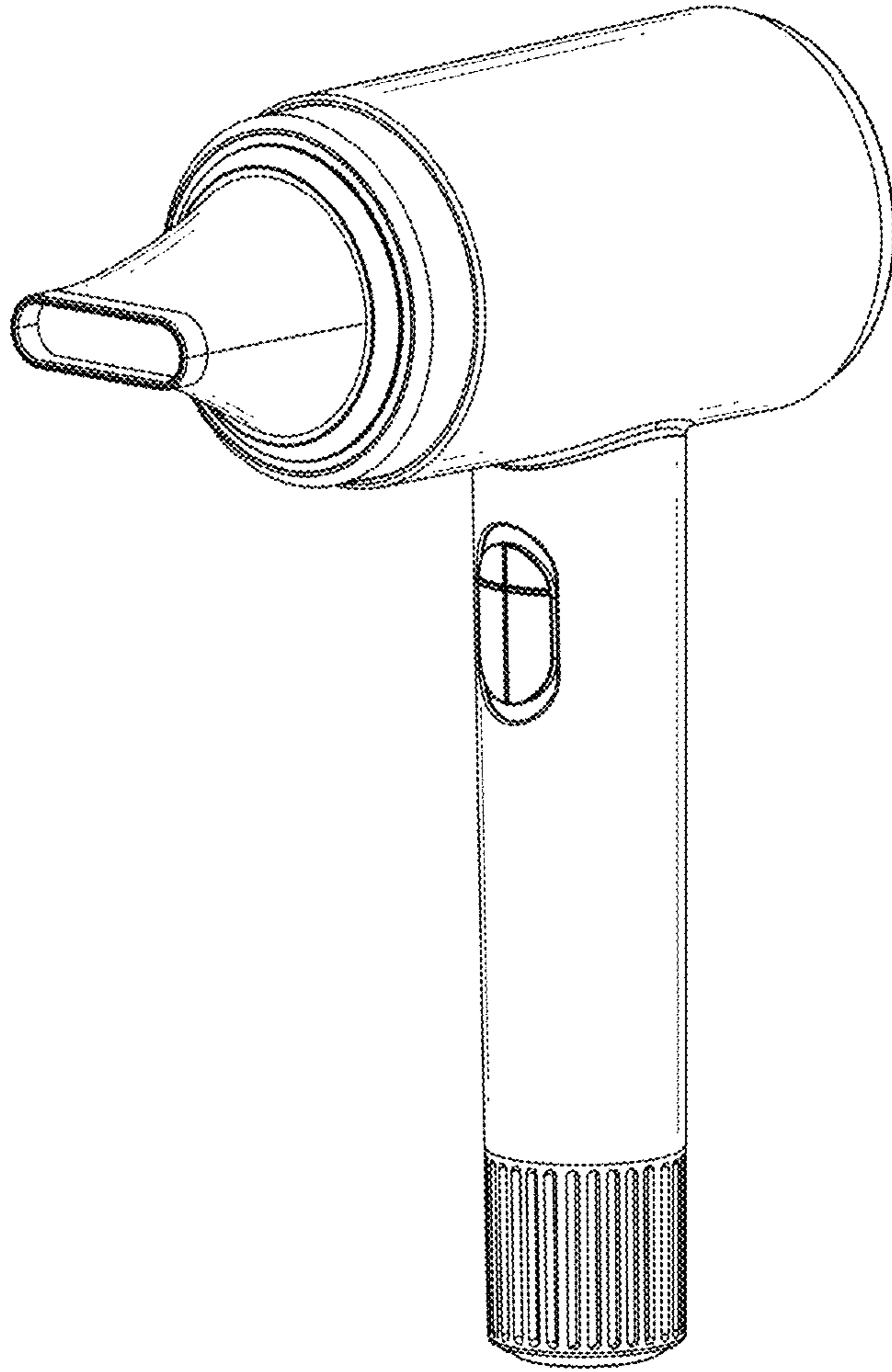


FIG.7