



US00D985830S

(12) **United States Design Patent** (10) **Patent No.:** **US D985,830 S**
Montecino et al. (45) **Date of Patent:** **** May 9, 2023**

(54) **LIGHTING FIXTURE**

(74) *Attorney, Agent, or Firm* — Heslin Rothenberg Farley & Mesiti P.C.

(71) Applicant: **Wangs Alliance Corporation**, Port Washington, NY (US)

(57) **CLAIM**

We claim, the ornamental design for a lighting fixture, as shown and described.

(72) Inventors: **Daniel A. Montecino**, Rancho Cucamonga, CA (US); **Robert E. De'Armond, Jr.**, Temecula, CA (US)

DESCRIPTION

(73) Assignee: **WANGS ALLIANCE CORPORATION**, Port Washington, NY (US)

This application is related to commonly assigned, co-filed U.S. design patent application Ser. No. 29/791,126, filed on Dec. 30, 2021 by Daniel A. Montecino and Robert E. De'Armond, Jr., entitled "Lighting Fixture", which application is incorporated herein by reference in its entirety.

(**) Term: **15 Years**

(21) Appl. No.: **29/791,124**

FIG. 1 is a front right perspective view from above of a lighting fixture according to the new design; FIG. 2 is a rear left perspective view from below thereof; FIG. 3 is a front elevational view thereof; FIG. 4 is a right side elevational view thereof; FIG. 5 is a left side elevational view thereof; FIG. 6 is a rear elevational view thereof; FIG. 7 is a top view thereof; FIG. 8 is a bottom view thereof; FIG. 9 is a front right perspective view from above thereof, but shown illuminated; FIG. 10 is a rear left perspective view from below thereof; FIG. 11 is a front elevational view thereof; FIG. 12 is a right side elevational view thereof; FIG. 13 is a left side elevational view thereof; FIG. 14 is a rear elevational view thereof; FIG. 15 is a top view thereof; and, FIG. 16 is a bottom view thereof.

(22) Filed: **Dec. 30, 2021**

(51) **LOC (14) Cl.** **26-05**

(52) **U.S. Cl.**
USPC **D26/138**

(58) **Field of Classification Search**
USPC D26/72, 74, 76, 78-83, 85, 86, 88, 90, D26/93, 111, 113, 118, 119, 120, 121, D26/122, 138, 139, 140, 141, 142, 152
(Continued)

The broken lines in the drawings illustrate portions of the environment and the lighting fixture and form no part of the claimed design.

(56) **References Cited**

U.S. PATENT DOCUMENTS

D325,089 S * 3/1992 Shaw D24/207
D376,440 S * 12/1996 Chan D26/65
(Continued)

The stippling shown in FIGS. 9, 10, 15, and 16 is solely for the purpose of illustrating the appearance of illumination and does not represent texture or surface ornamentation.

OTHER PUBLICATIONS

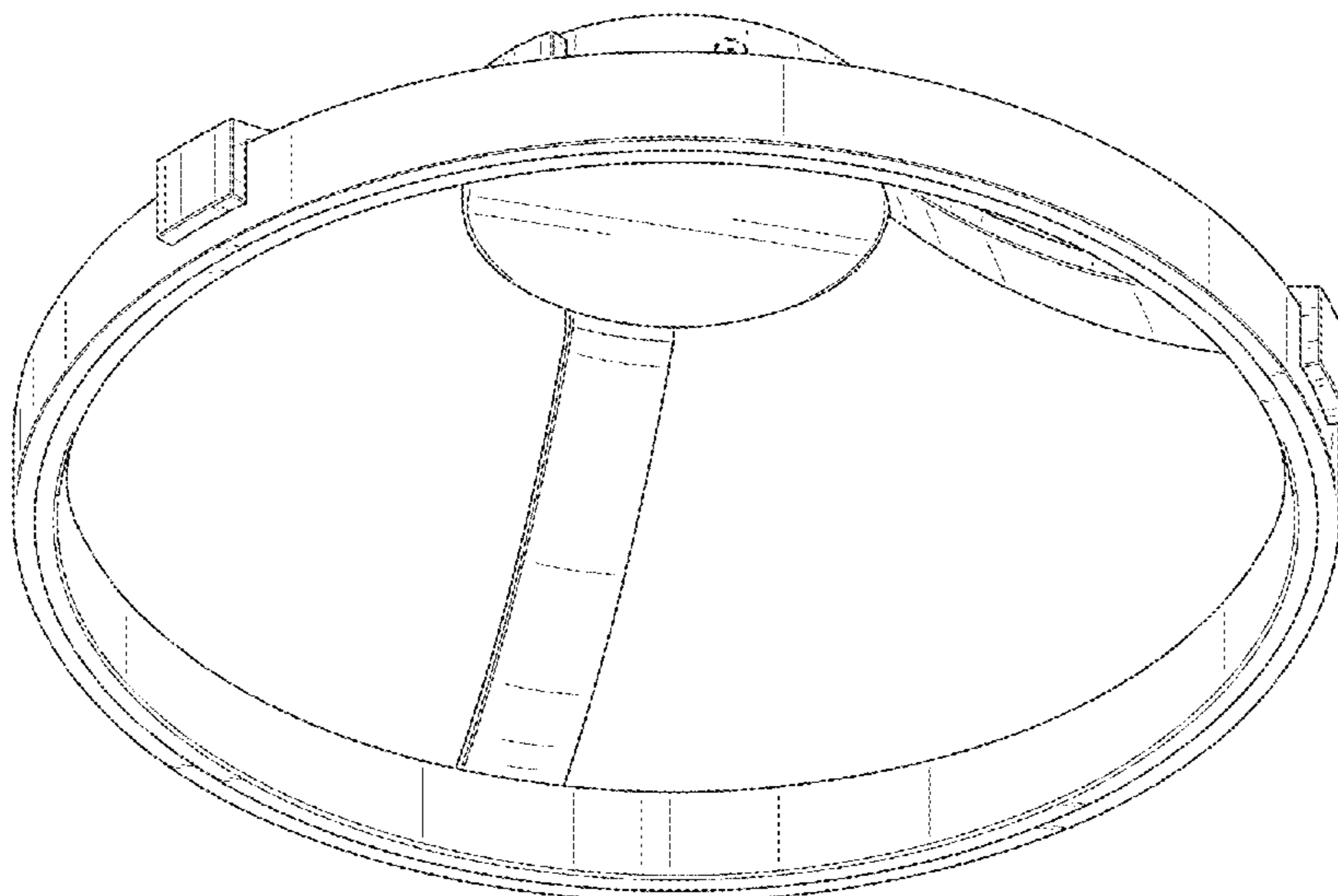
Daniel A. Montecino and Robert E. De'Armond, Jr., pending design U.S. Appl. No. 29/791,126, filed Dec. 30, 2021, entitled "Lighting Fixture".

The long dash-short dash lines in the drawings represent a boundary of the claimed design.

(Continued)

Primary Examiner — Natasha Vujcic

1 Claim, 12 Drawing Sheets



(58) **Field of Classification Search**

CPC F21S 2/00; F21S 4/00; F21S 4/003; F21S 4/005; F21S 4/006; F21S 4/007; F21S 4/008; F21S 6/00; F21S 8/00; F21S 8/024; F21S 8/026; F21S 8/031; F21S 8/033; F21S 8/035-037; F21S 8/04; F21S 8/043; F21S 8/063

See application file for complete search history.

D769,506 S	10/2016	Orozco	
D790,105 S *	6/2017	Tran	D26/87
D906,583 S *	12/2020	Stassar	D26/138
D908,950 S *	1/2021	Sorensen	D26/138
D908,951 S *	1/2021	Sorensen	D26/138
D923,855 S	6/2021	Dolan	
D937,466 S	11/2021	Lin	

(56)

References Cited

U.S. PATENT DOCUMENTS

D406,918 S *	3/1999	Yan	D26/138
D457,418 S *	5/2002	Ferrer Beltrán	D8/363
D537,196 S *	2/2007	Summerford	D26/155
D539,964 S	4/2007	Hsu	
D577,850 S	9/2008	Nicholas	
D605,332 S	12/2009	Miranda	
D607,137 S	12/2009	Chen	
D636,927 S *	4/2011	Lin	D26/138
D637,342 S *	5/2011	Choi	D26/138
D637,343 S *	5/2011	Kim	D26/138
D698,983 S	2/2014	Rampolla et al.	
D703,864 S *	4/2014	Blum	D26/85
D724,250 S *	3/2015	Tran	D26/85
D730,560 S *	5/2015	Tran	D26/85
D745,735 S *	12/2015	Tran	D26/80
D768,906 S	10/2016	Sonneman	

OTHER PUBLICATIONS

First Office Action, U.S. Appl. No. 29/791,126, dated Feb. 2, 2023, 6 pages, dated Feb. 2, 2023.

FunurHoome Miminimalist Flush Mount Ceiling Fixture No Flicker LED Ceiling Lamps Indoor Energy Ceiling Light Easy to Install Ceiling Lantern for Bedroom Living Room Ceiling Luminaire, ASIN: BOB5SHGF66, available at amazon.com, Site visited Feb. 3, 2023, <https://www.amazon.com/FunurHoome-Minimalist-Ceiling-Fixture-Luminaire/dp/BOB5SHGF66?th=1>, 6 pp, (Year 2023).

Vonn Lighting Zuben 1-Light 19.75-in Silver LED Semi-flush Mount Light Energy Star, Model #VMCF41300AL, Available from lowes.com, <https://www.lowes.com/pd/1000722520>, as early as Dec. 18, 2020, 4 pp, (Year: 2020).

Quoizel Cohen 1-Light 15.75-in Oil Rubbed Bronze LED Semi-flush Mount Light; Model #PCOH171601, Available from lowes.com, <https://www.lowes.com/1002750504>, as early as Apr. 6, 2020 6 pp, (Year 2020).

* cited by examiner

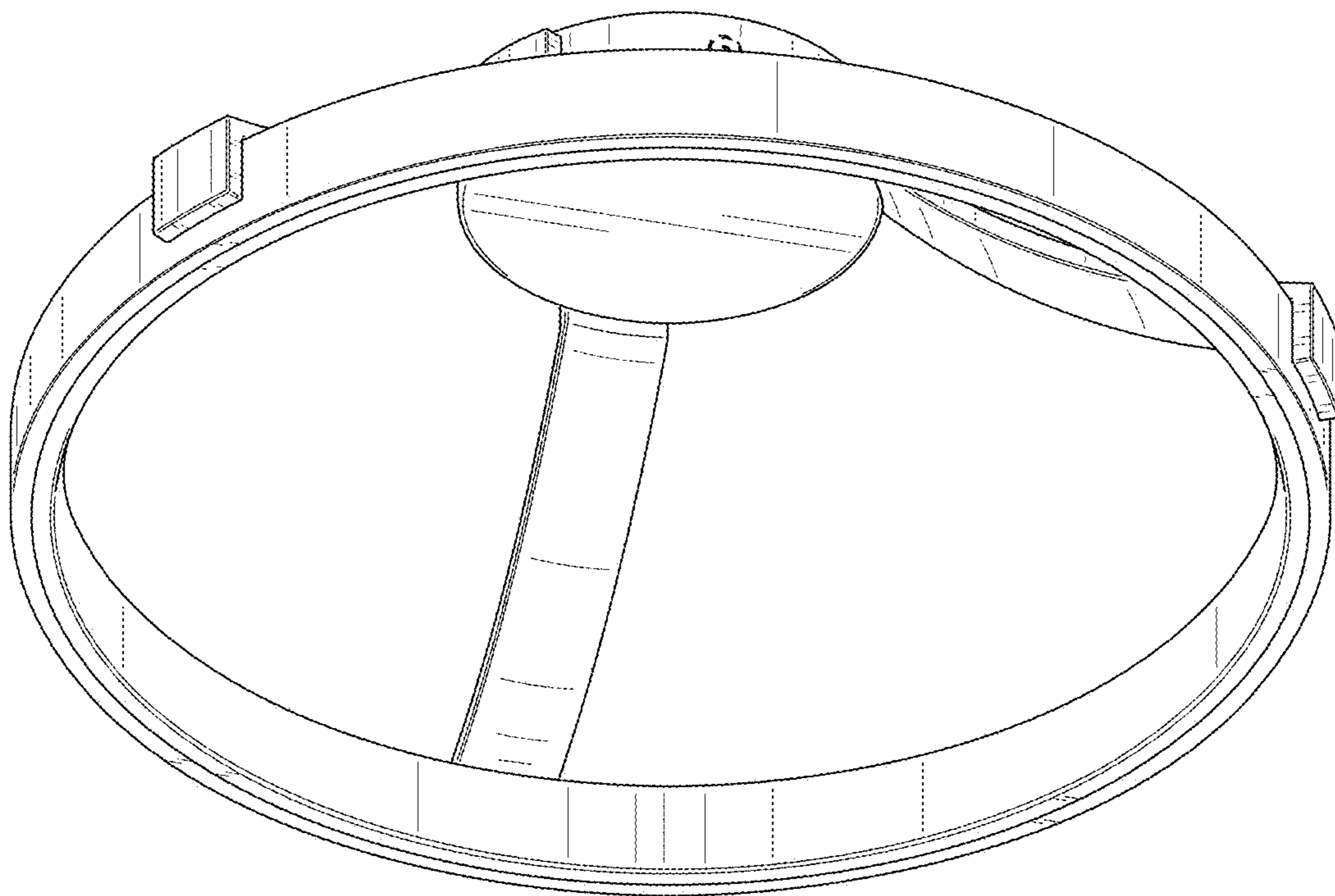


FIG. 1

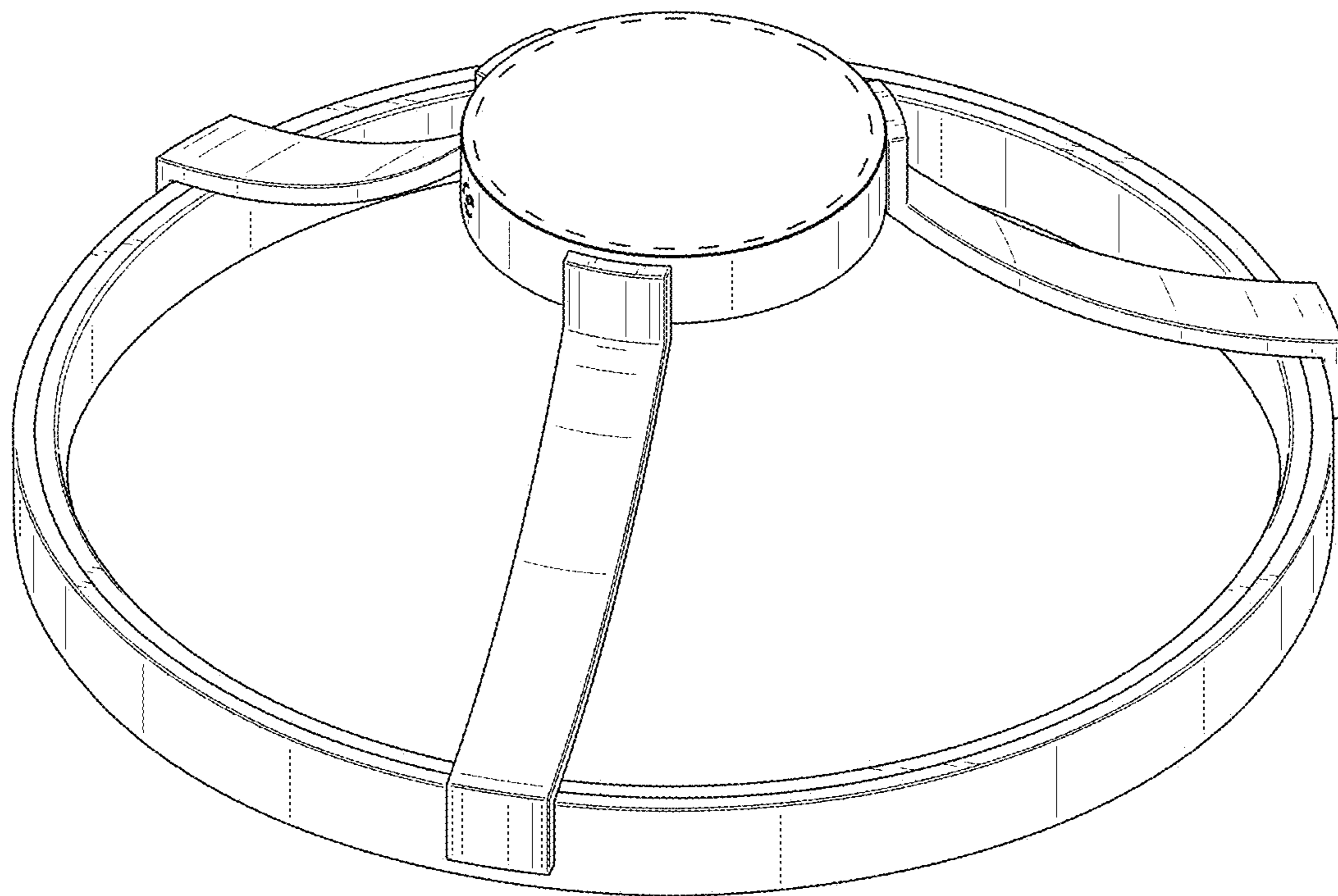


FIG. 2

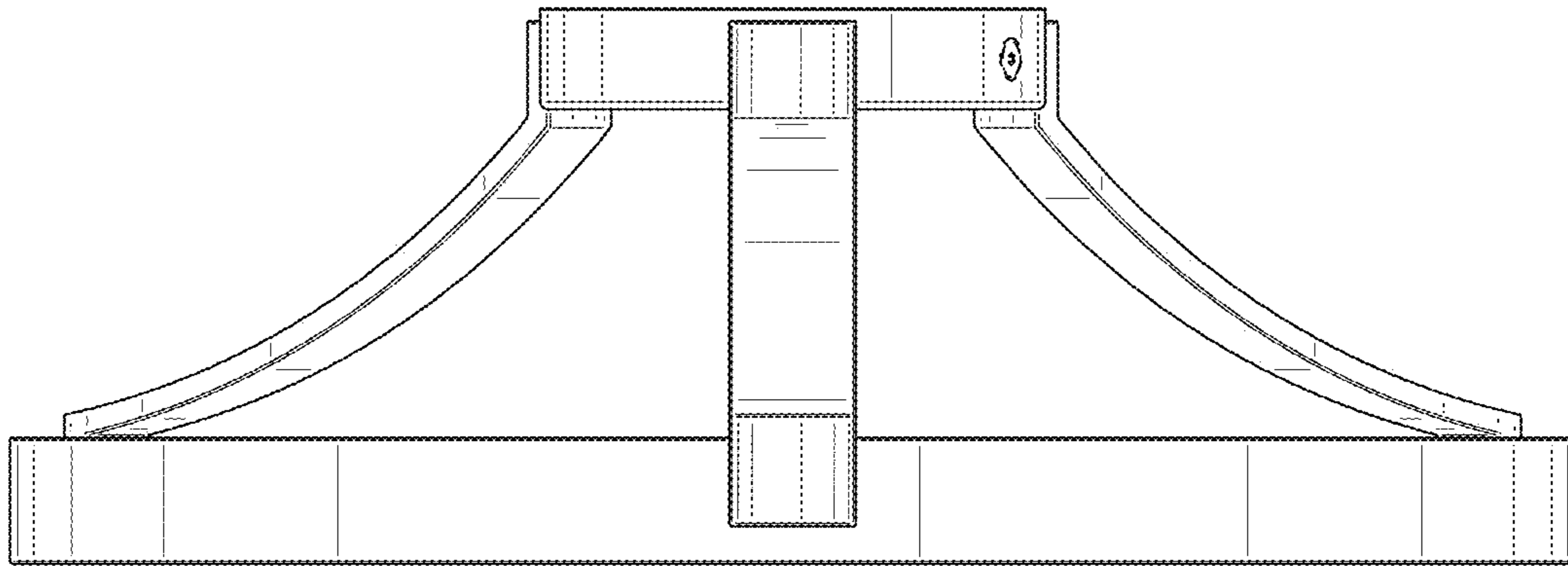


FIG. 3

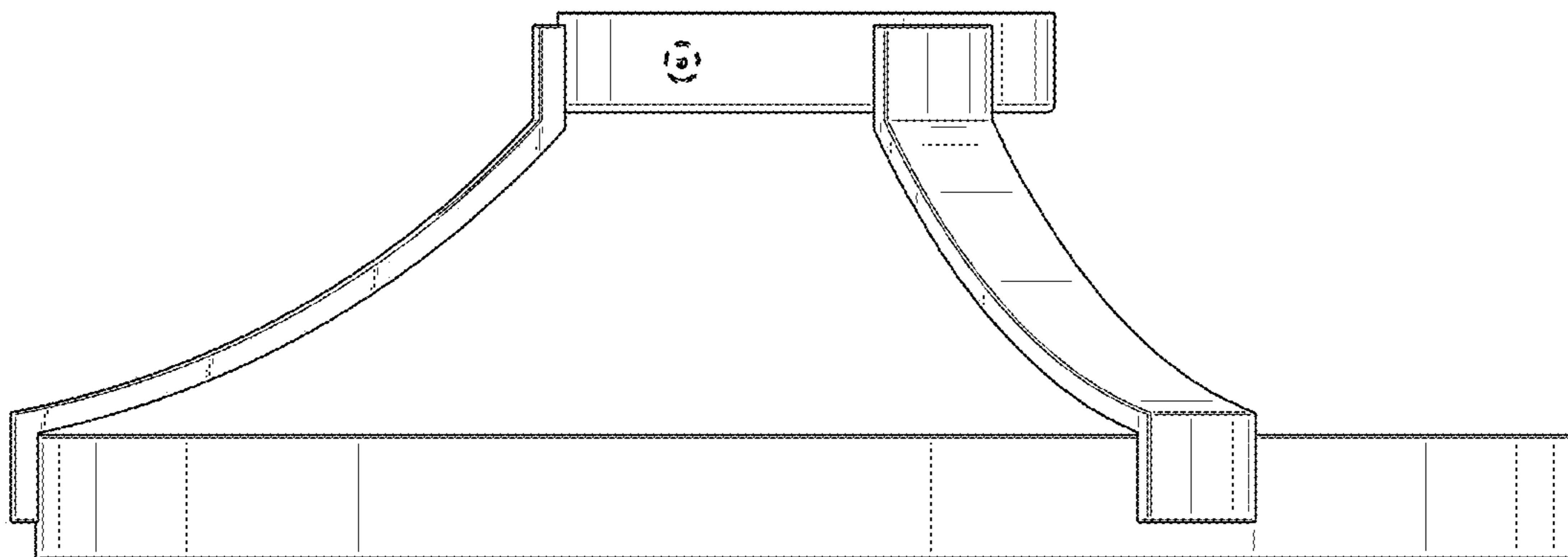


FIG. 4

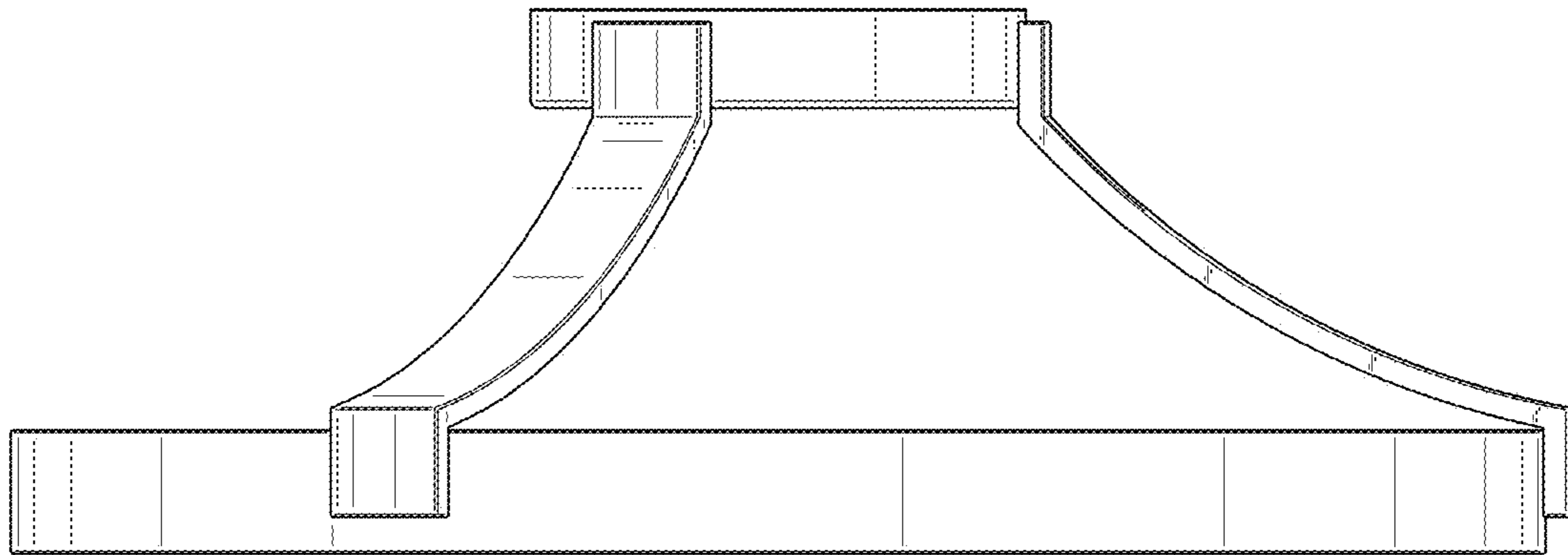


FIG. 5

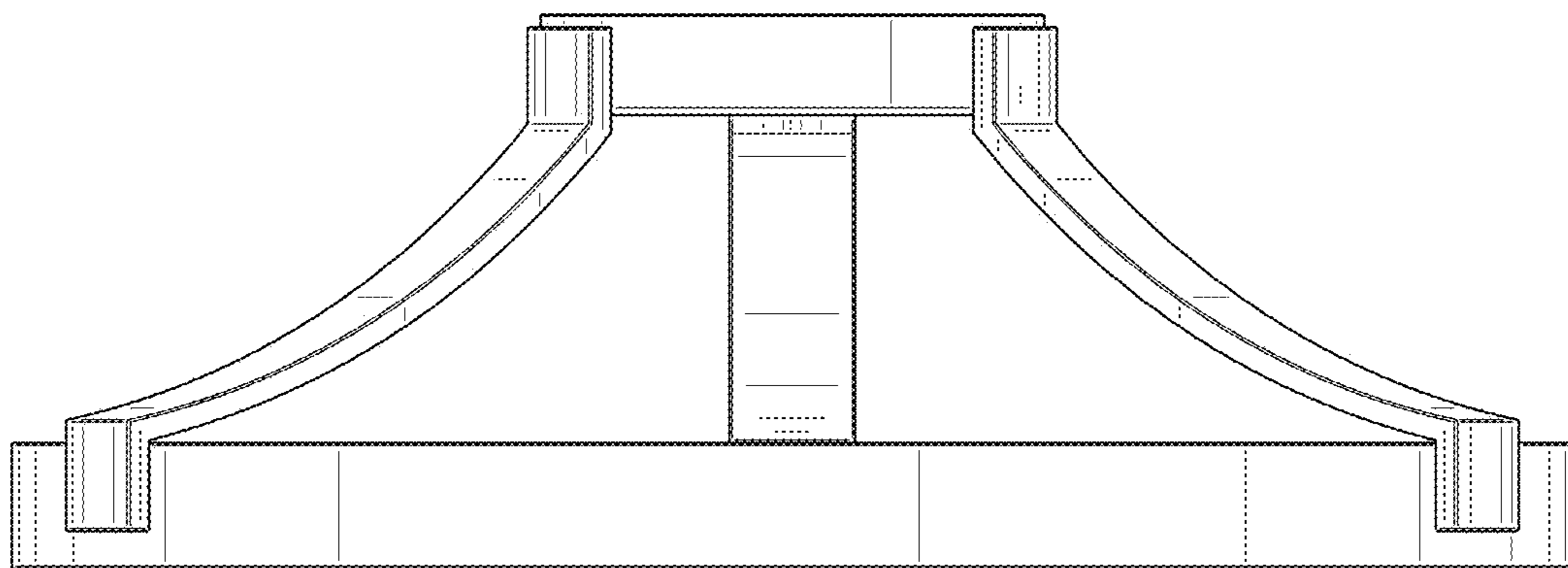


FIG. 6

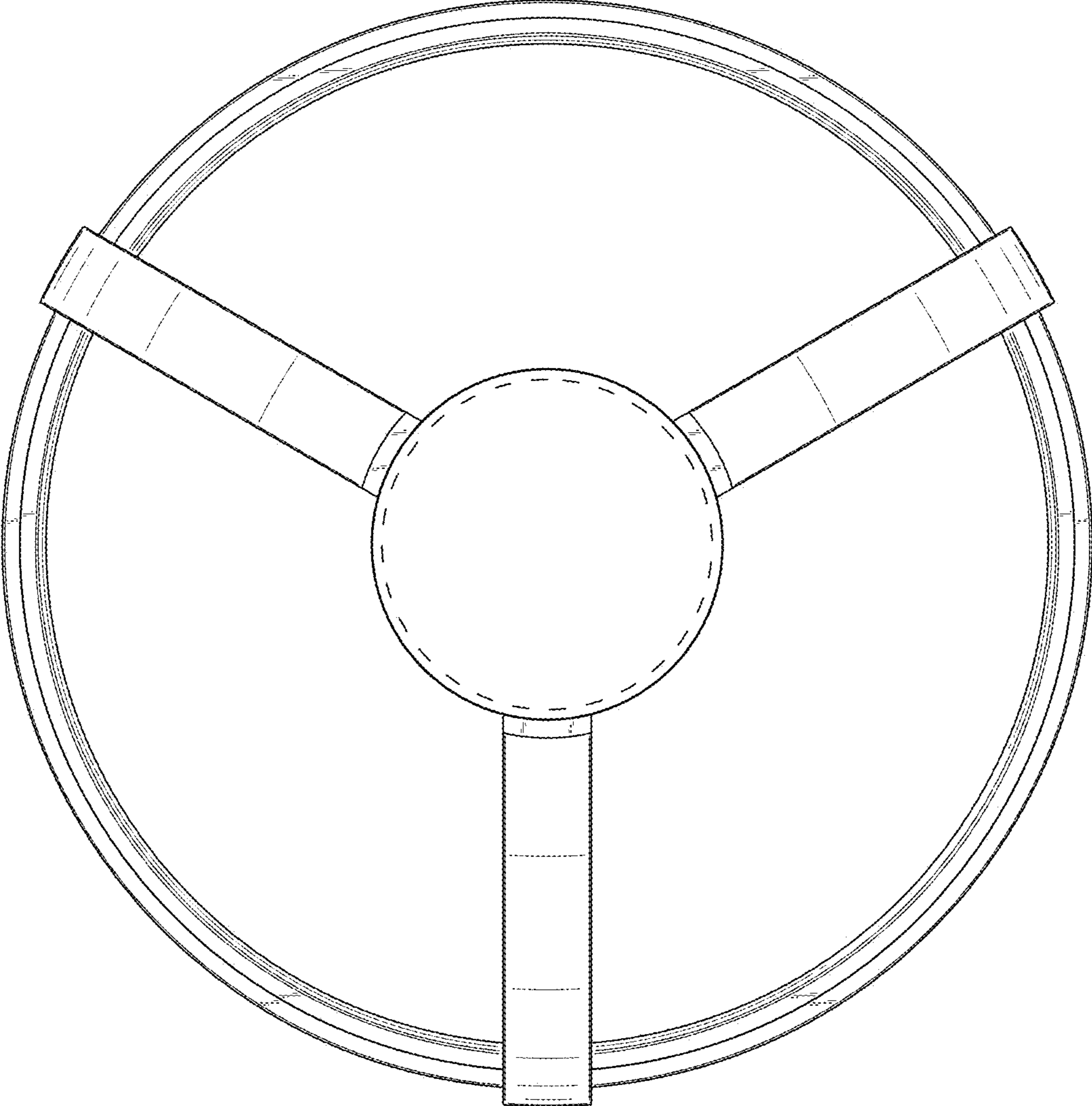


FIG. 7

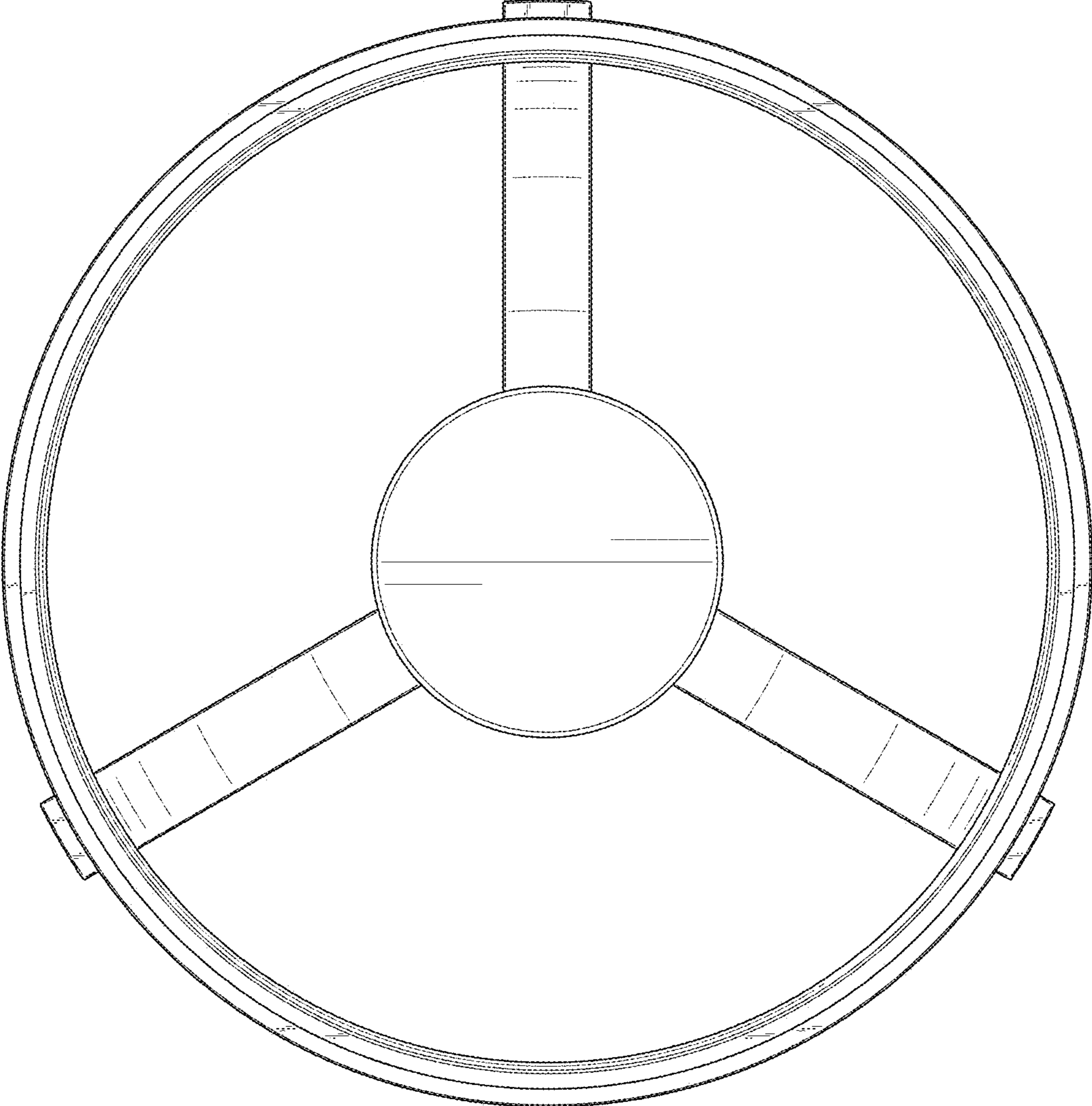


FIG. 8

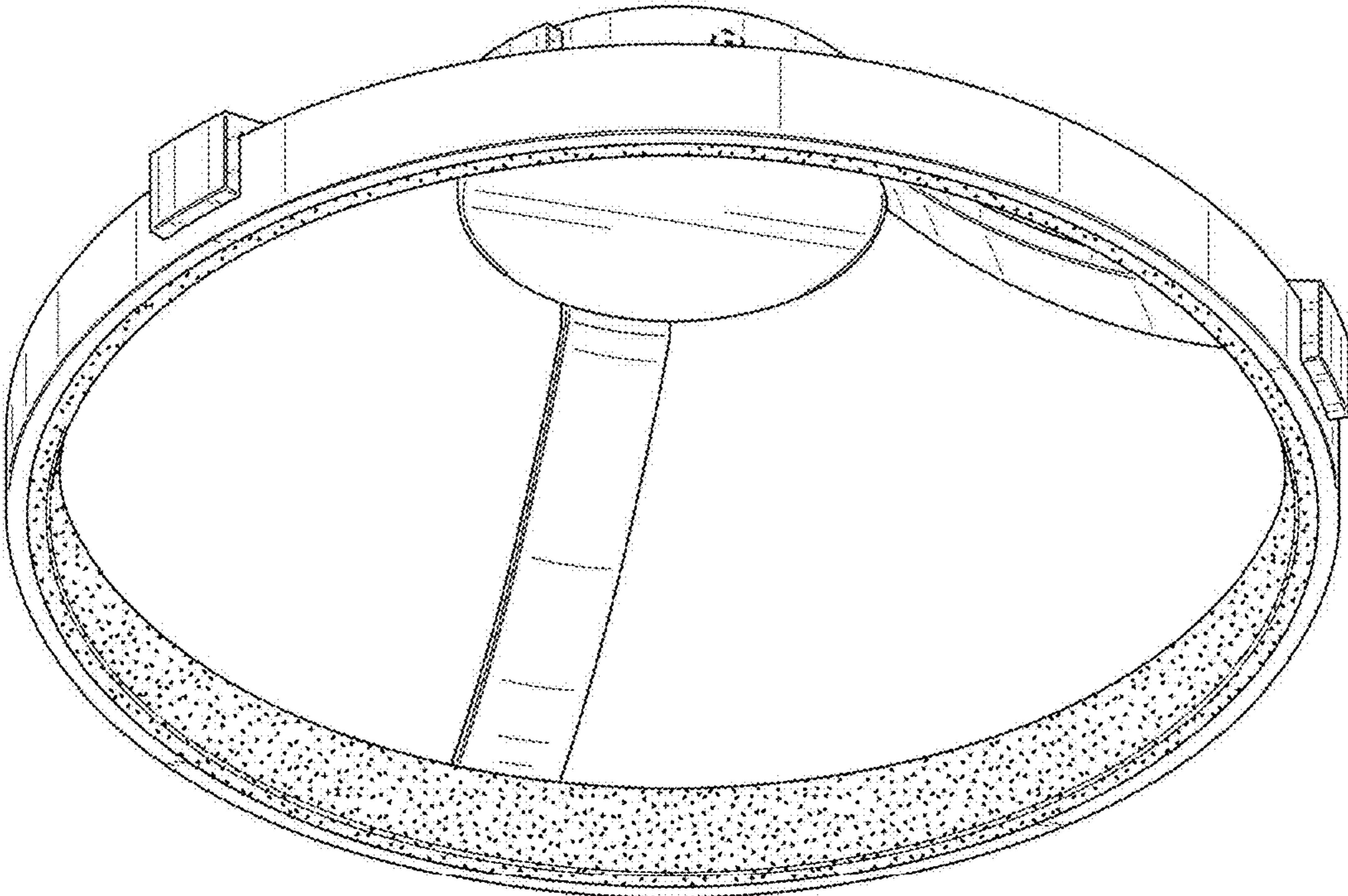


FIG. 9

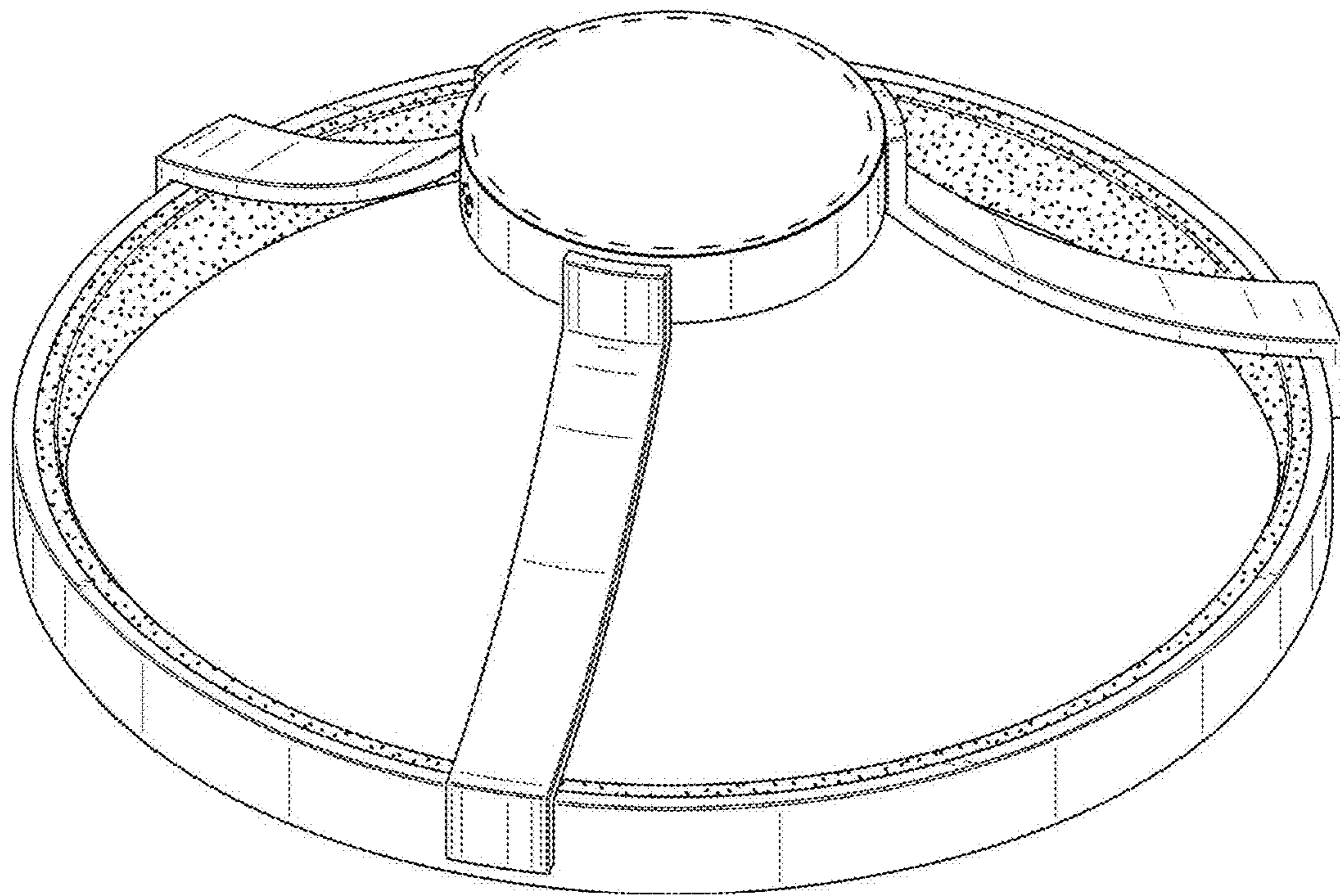


FIG. 10

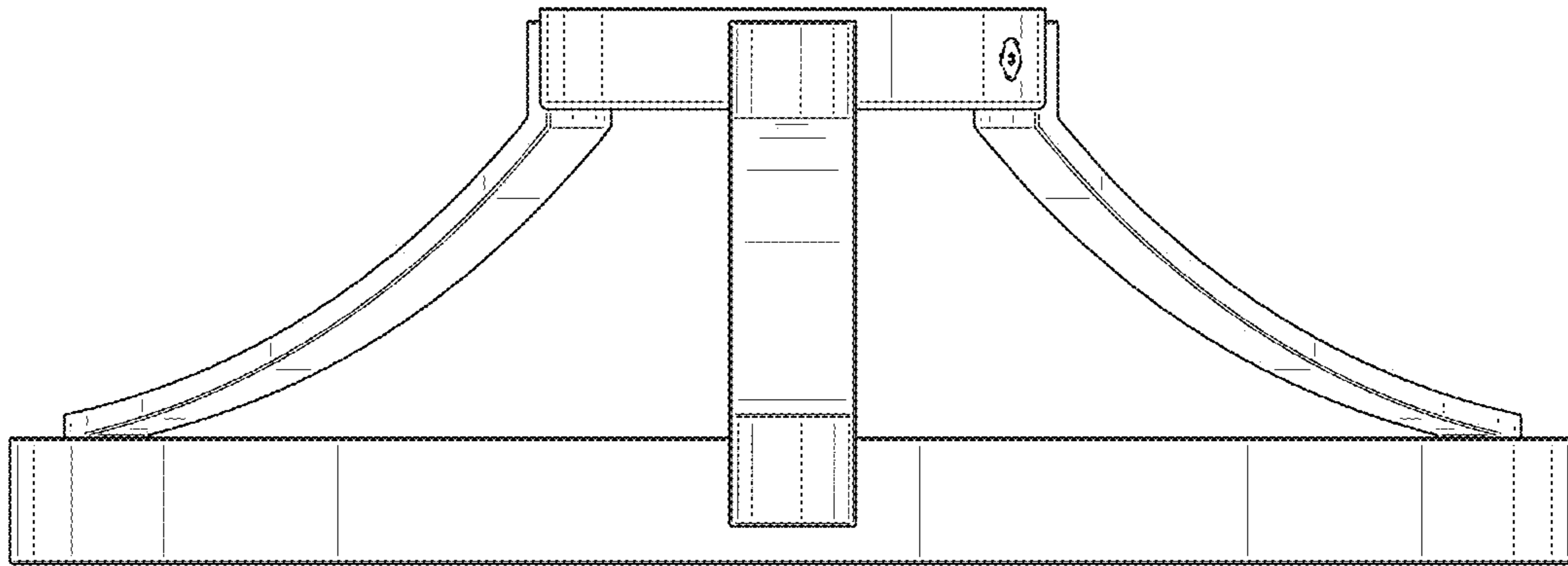


FIG. 11

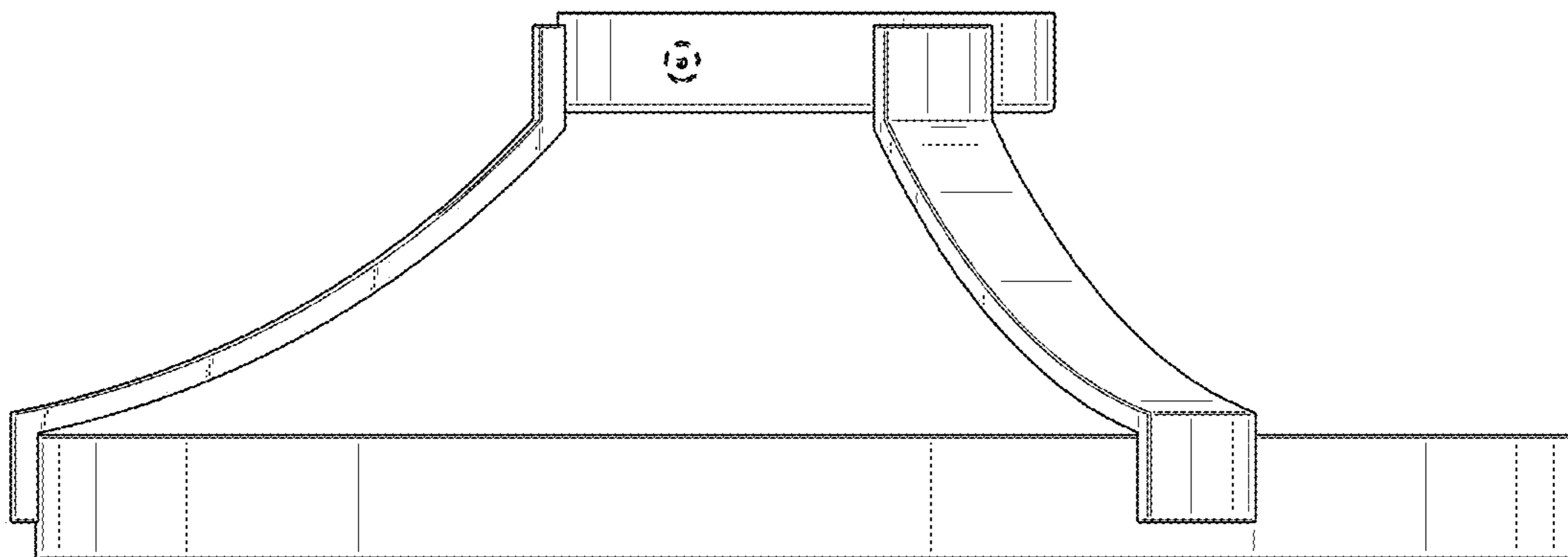


FIG. 12

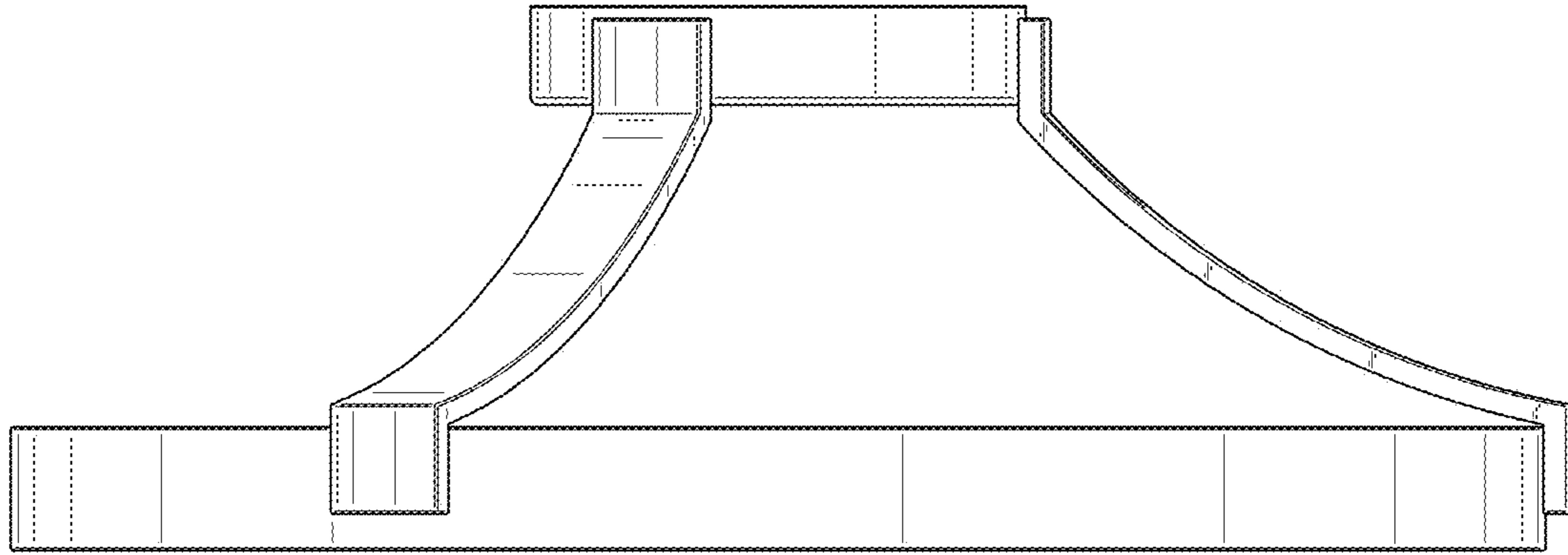


FIG. 13

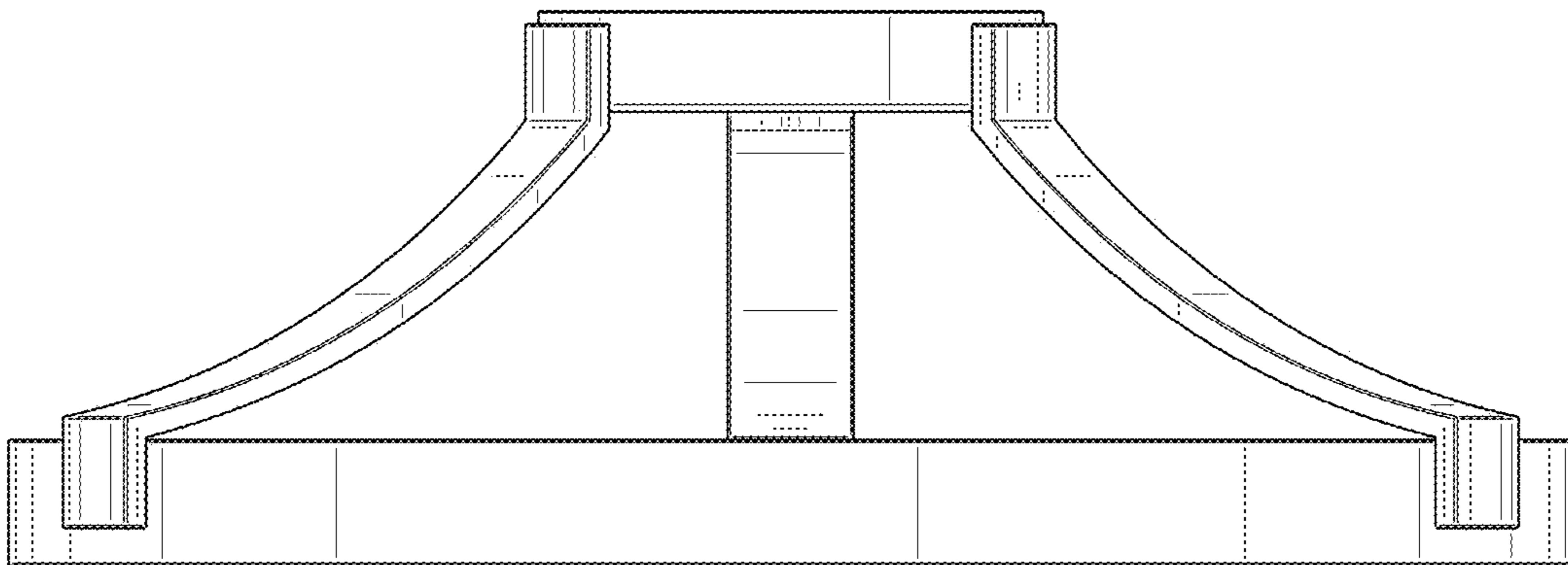


FIG. 14

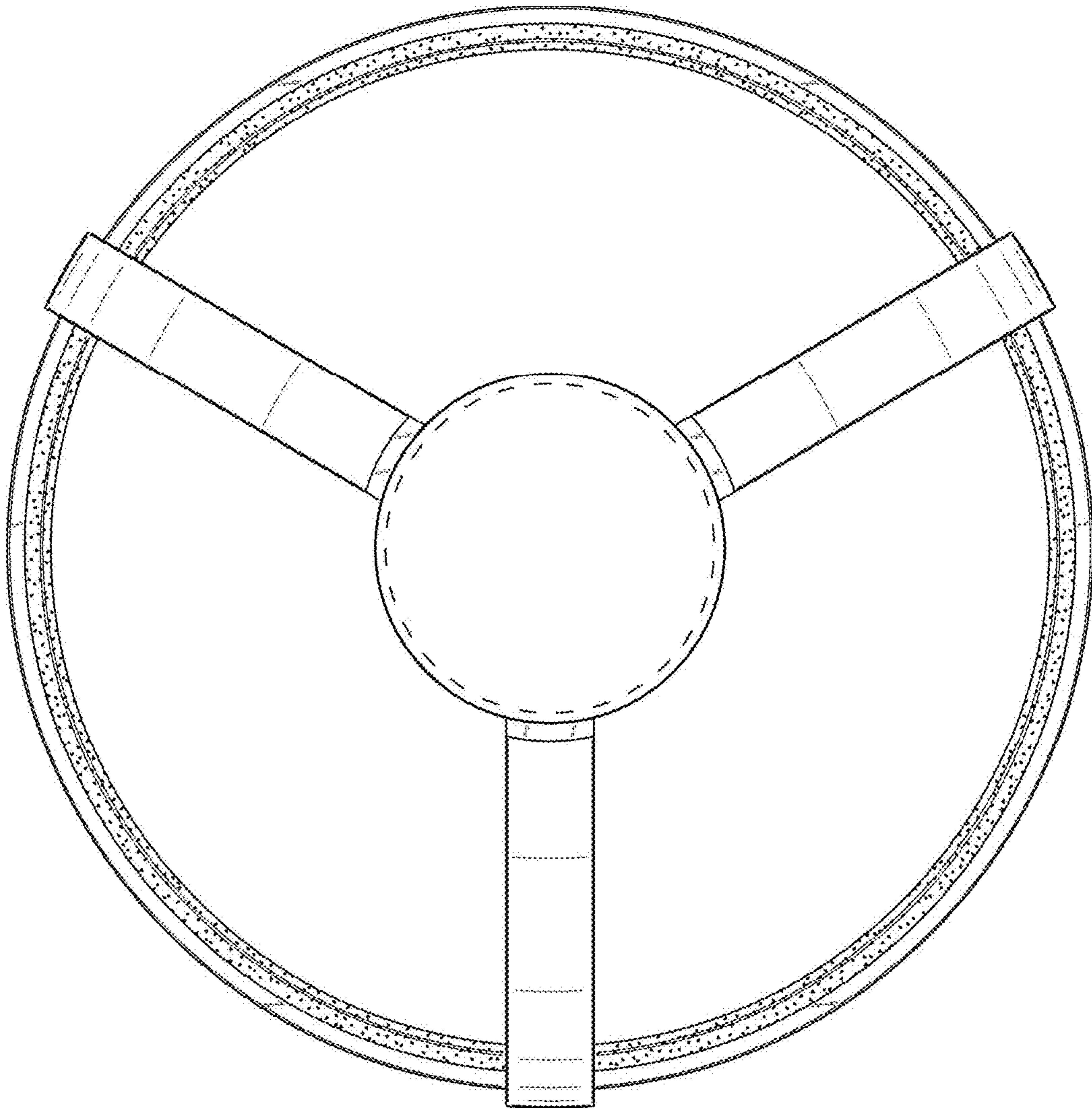


FIG. 15

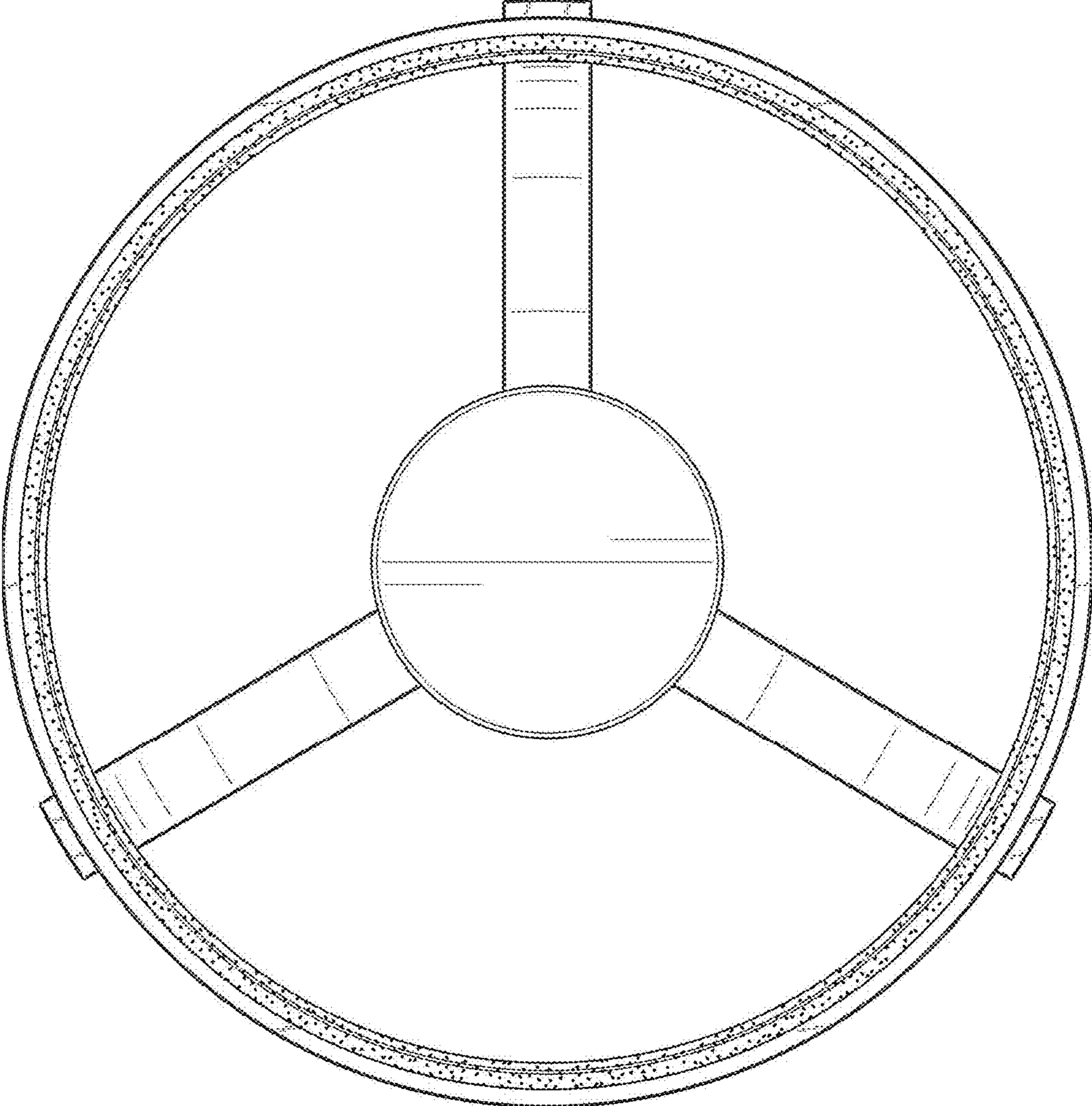


FIG. 16