



US00D985823S

(12) **United States Design Patent**
Peng

(10) **Patent No.:** **US D985,823 S**

(45) **Date of Patent:** **** May 9, 2023**

(54) **SOLAR OUTDOOR LIGHT**

(71) Applicant: **Mugao Peng**, Guangdong (CN)

(72) Inventor: **Mugao Peng**, Guangdong (CN)

(**) Term: **15 Years**

(21) Appl. No.: **29/869,559**

(22) Filed: **Jan. 4, 2023**

(51) **LOC (14) Cl.** **26-05**

(52) **U.S. Cl.**
USPC **D26/69**; D26/63

(58) **Field of Classification Search**
USPC ... D26/1, 51, 60, 61, 63, 65, 67, 68, 69, 71,
D26/72, 85, 87, 92, 93, 113, 118
CPC F21S 6/00; F21S 8/00; F21S 8/03; F21S
8/033; F21S 8/036; F21S 9/00; F21S
9/03; F21S 9/032; F21V 21/02; F21W
213/10; F21W 213/107

See application file for complete search history.

(56) **References Cited**

U.S. PATENT DOCUMENTS

D616,131 S	5/2010	Chen	
D870,342 S	* 12/2019	Xiao	D26/71
D892,380 S	* 8/2020	Yan	D26/65
D918,453 S	* 5/2021	Rang	D26/63
D927,752 S	* 8/2021	Mao	D26/65
D934,481 S	* 10/2021	Liu	D26/76
D940,063 S	* 1/2022	Wen	D13/102
D950,820 S	* 5/2022	Zheng	D26/63
D952,221 S	* 5/2022	Long	D26/63
D954,324 S	* 6/2022	Rajasekaran	F21S 8/04 D26/65
D957,024 S	* 7/2022	Chen	F21S 8/04 D26/63
D968,002 S	* 10/2022	Liu	D26/63
D975,001 S	* 1/2023	Wu	D13/102
D975,898 S	* 1/2023	Wang	D26/65

OTHER PUBLICATIONS

Deerdance Solar Lights Outdoor With Motion Sensor, Mar. 14, 2022, Amazon.com, site visited Feb. 13, 2023, url: <https://www.amazon.com/Outdoor-deerdance-Security-Waterproof-Wide-Angle/dp/B09VGFNHJ9> (Year: 2022).*

Lovskoo Outdoor Solar Street Light with Remote Control, Jun. 24, 2022, Amazon.com, site visited Feb. 13, 2023, url: <https://www.amazon.com/Outdoor-Control-Waterproof-Powered-Security/dp/B0B567DP6T> (Year: 2022).*

* cited by examiner

Primary Examiner — T Chase Nelson

Assistant Examiner — Rachel Wolfe

(57) **CLAIM**

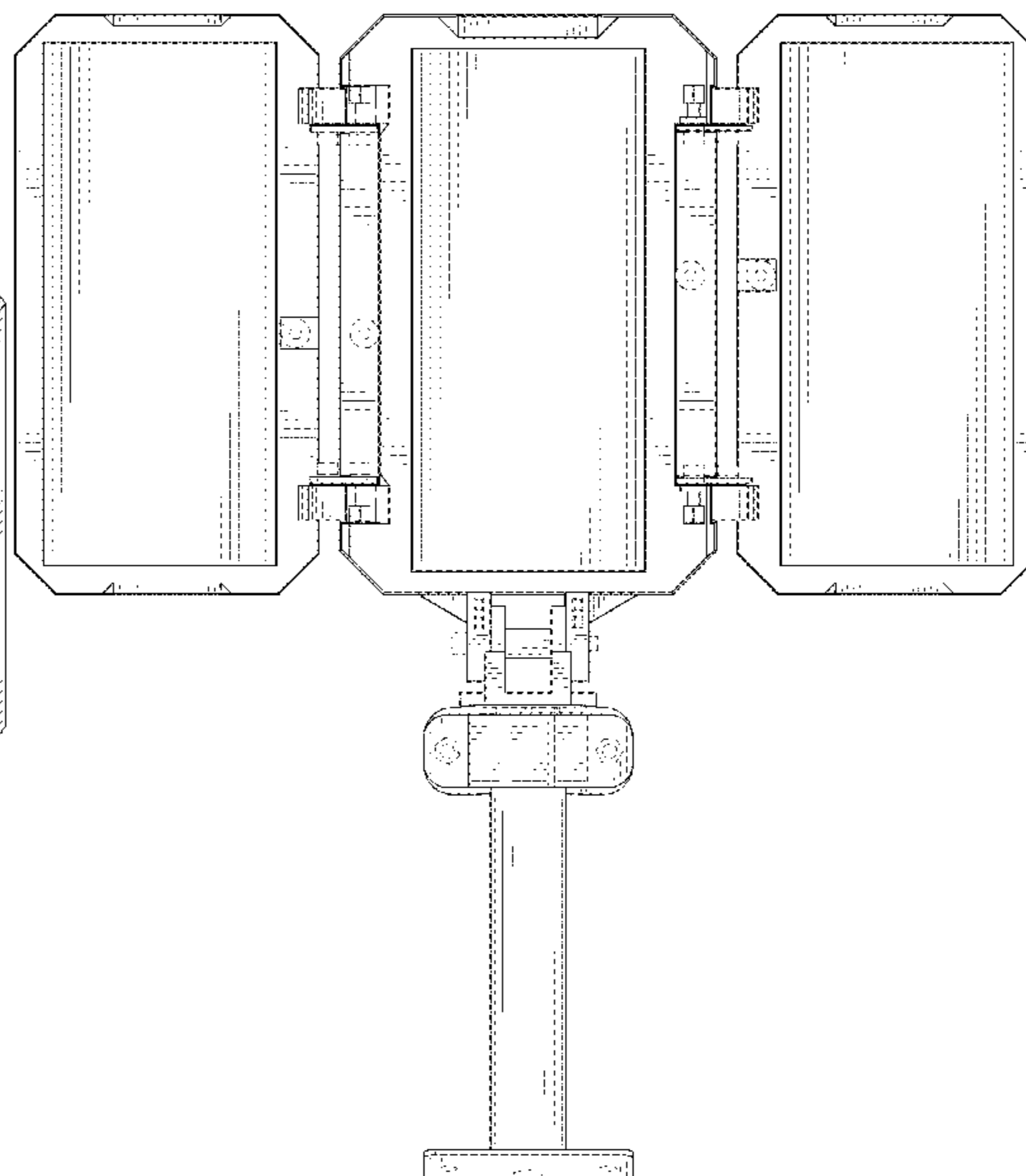
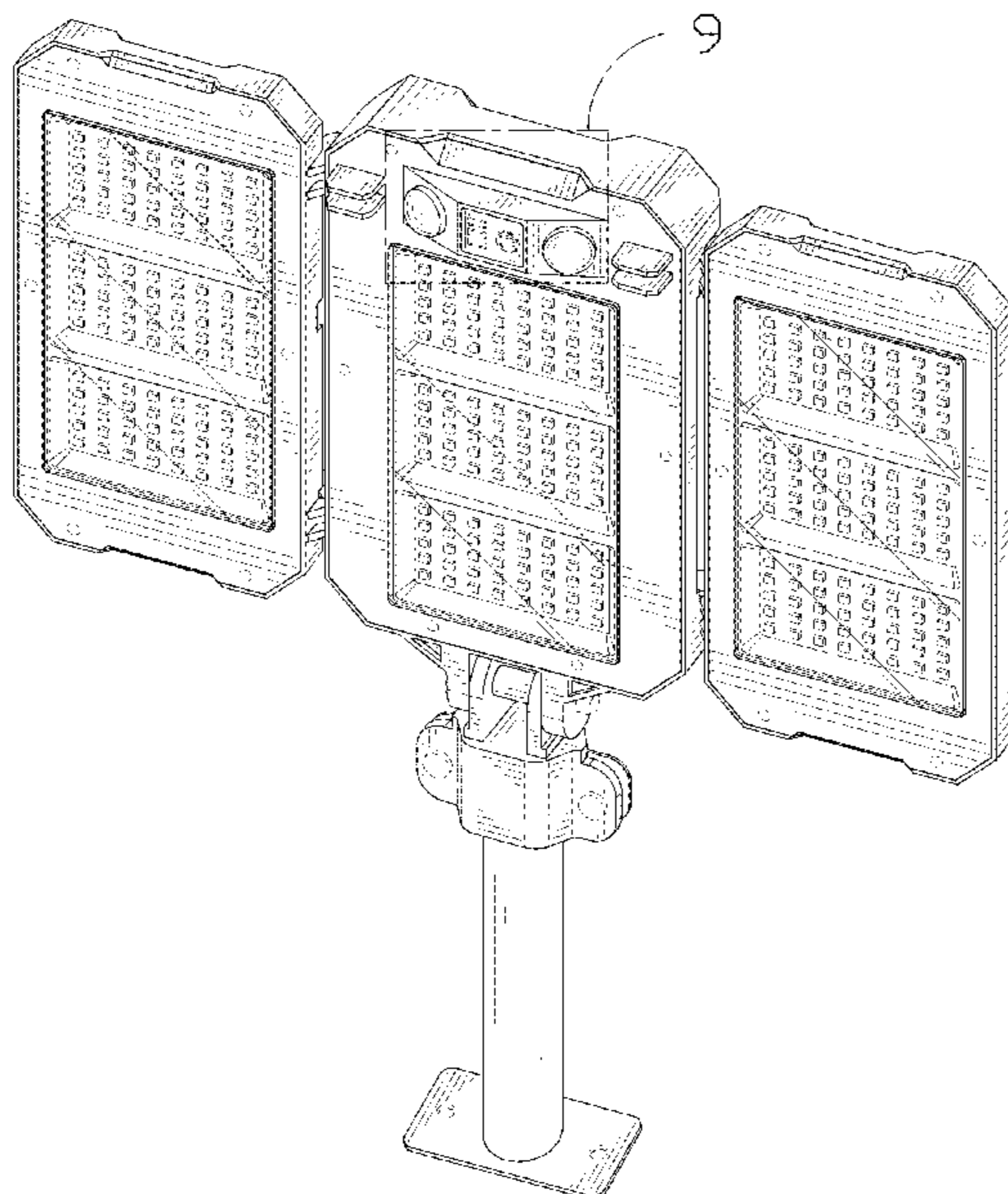
The ornamental design for a solar outdoor light, as shown and described.

DESCRIPTION

FIG. 1 is a front and top perspective view of a solar outdoor light, showing my new design;
FIG. 2 is a rear and bottom perspective view thereof;
FIG. 3 is a front elevation view thereof;
FIG. 4 is a rear elevation view thereof;
FIG. 5 is a left side elevation view thereof;
FIG. 6 is a right side elevation view thereof;
FIG. 7 is a top plan view thereof;
FIG. 8 is a bottom plan view thereof; and,
FIG. 9 is an enlarged perspective view of detail "9" identified in FIG. 1.

The dashed lines in the figures illustrate portions of the solar outdoor light that form no part of the claimed design. The dash dot dash lines in FIGS. 1 and 9 are for the purpose of illustrating the enlarged view indicators and form no part of the claimed design.

1 Claim, 9 Drawing Sheets



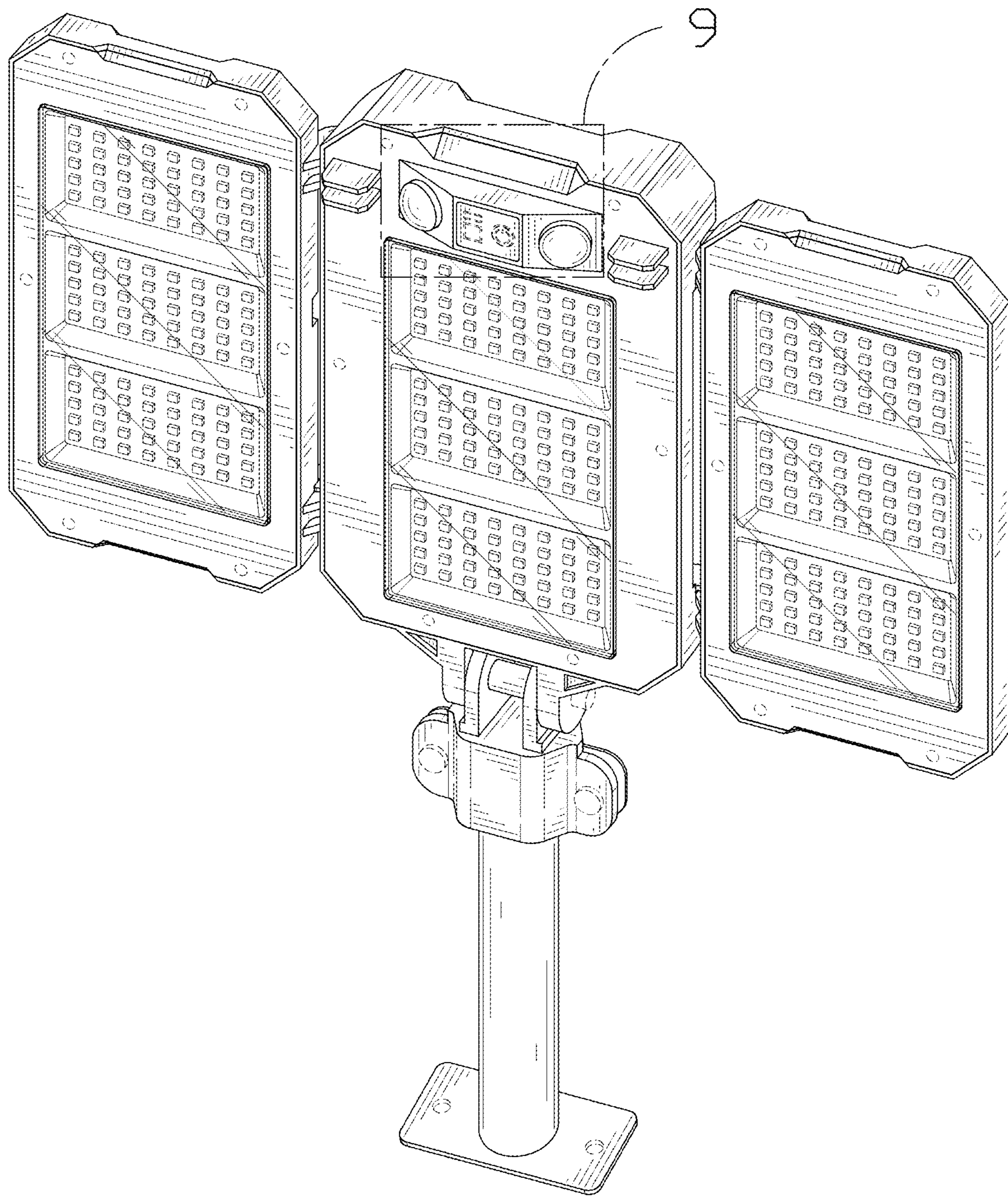


FIG. 1

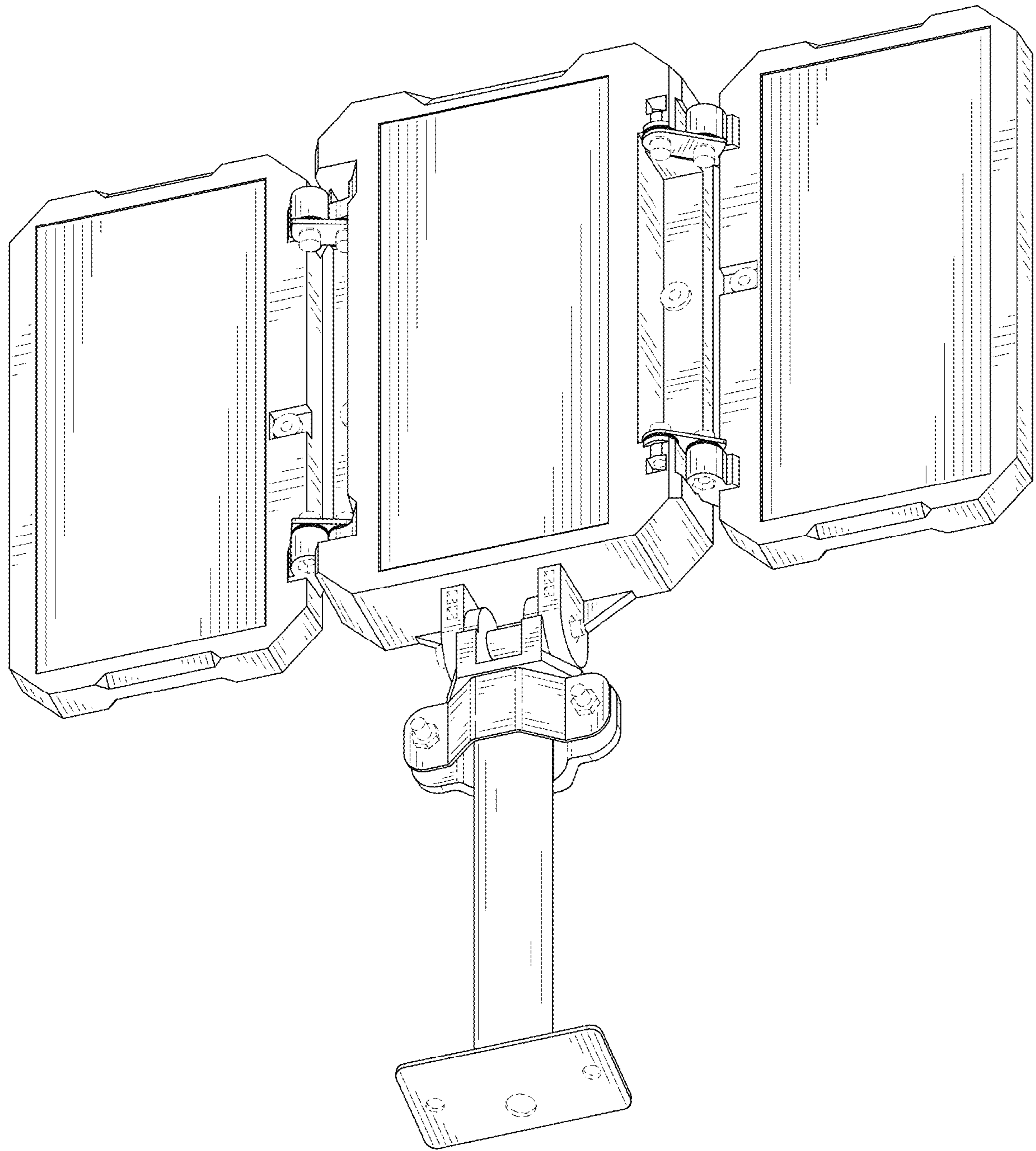


FIG. 2

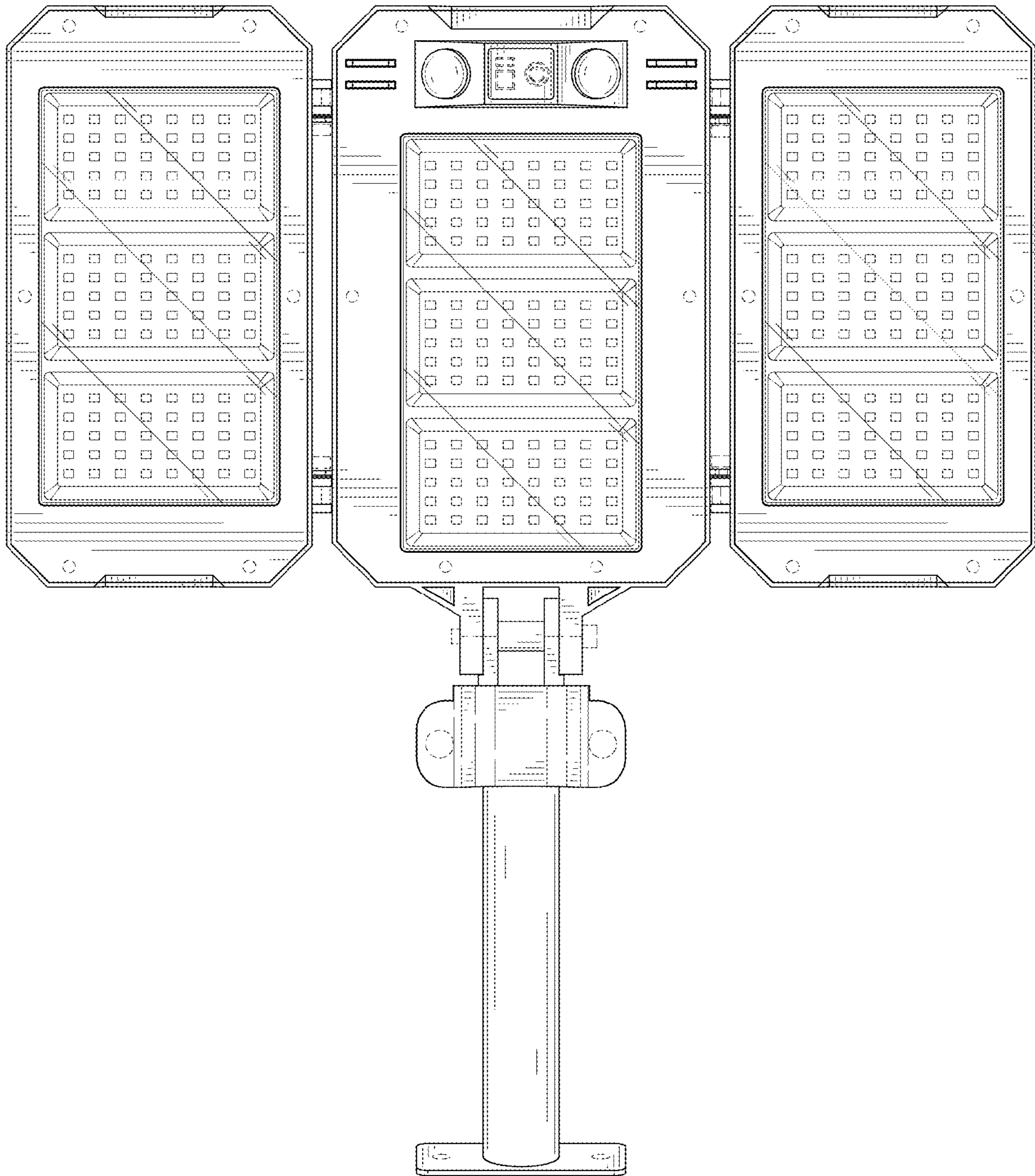


FIG. 3

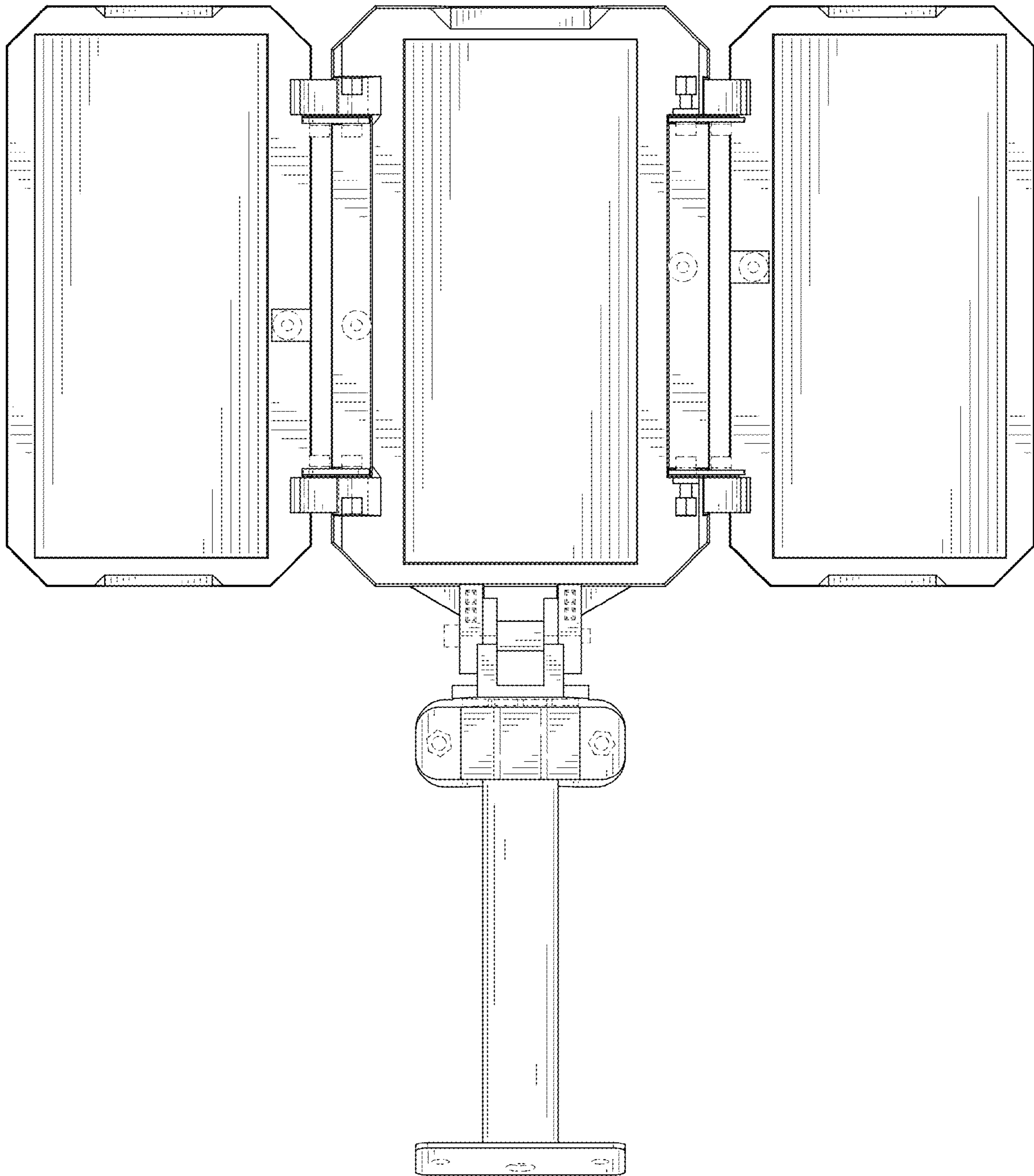


FIG. 4

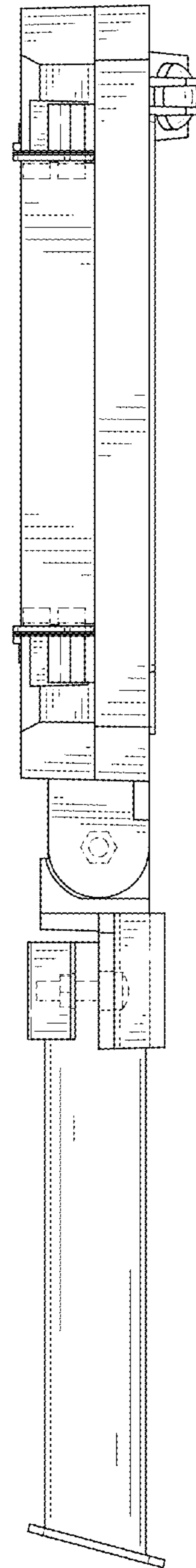


FIG. 5

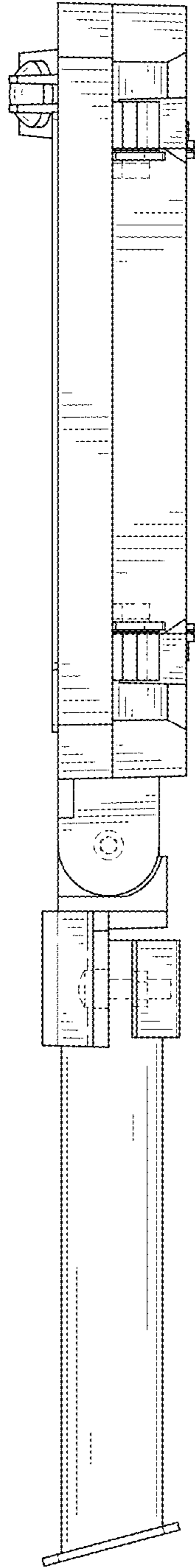


FIG. 6

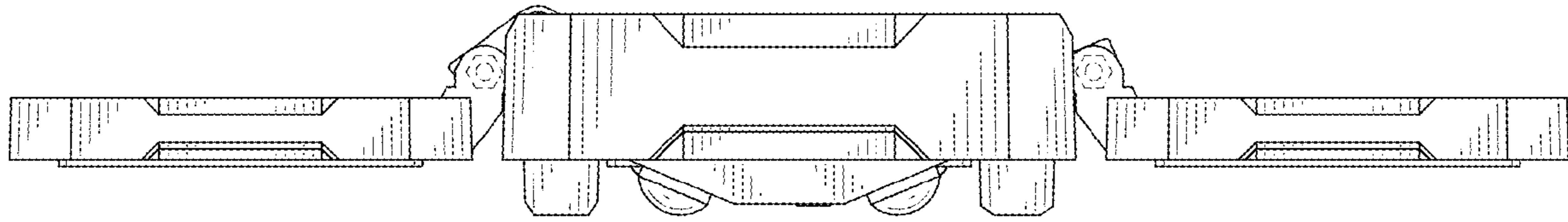


FIG. 7

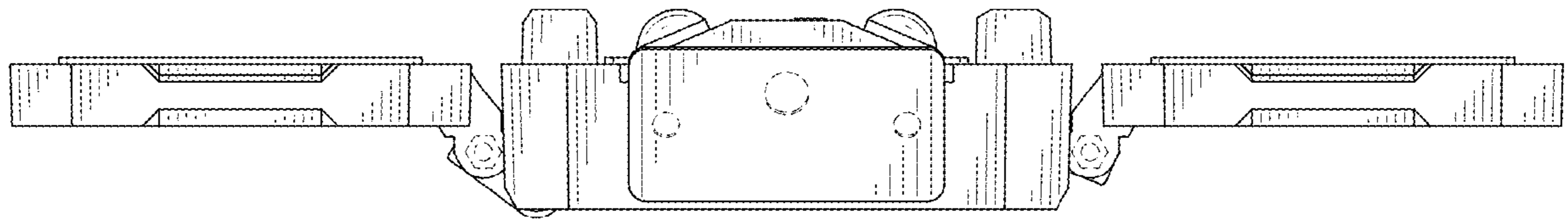


FIG. 8

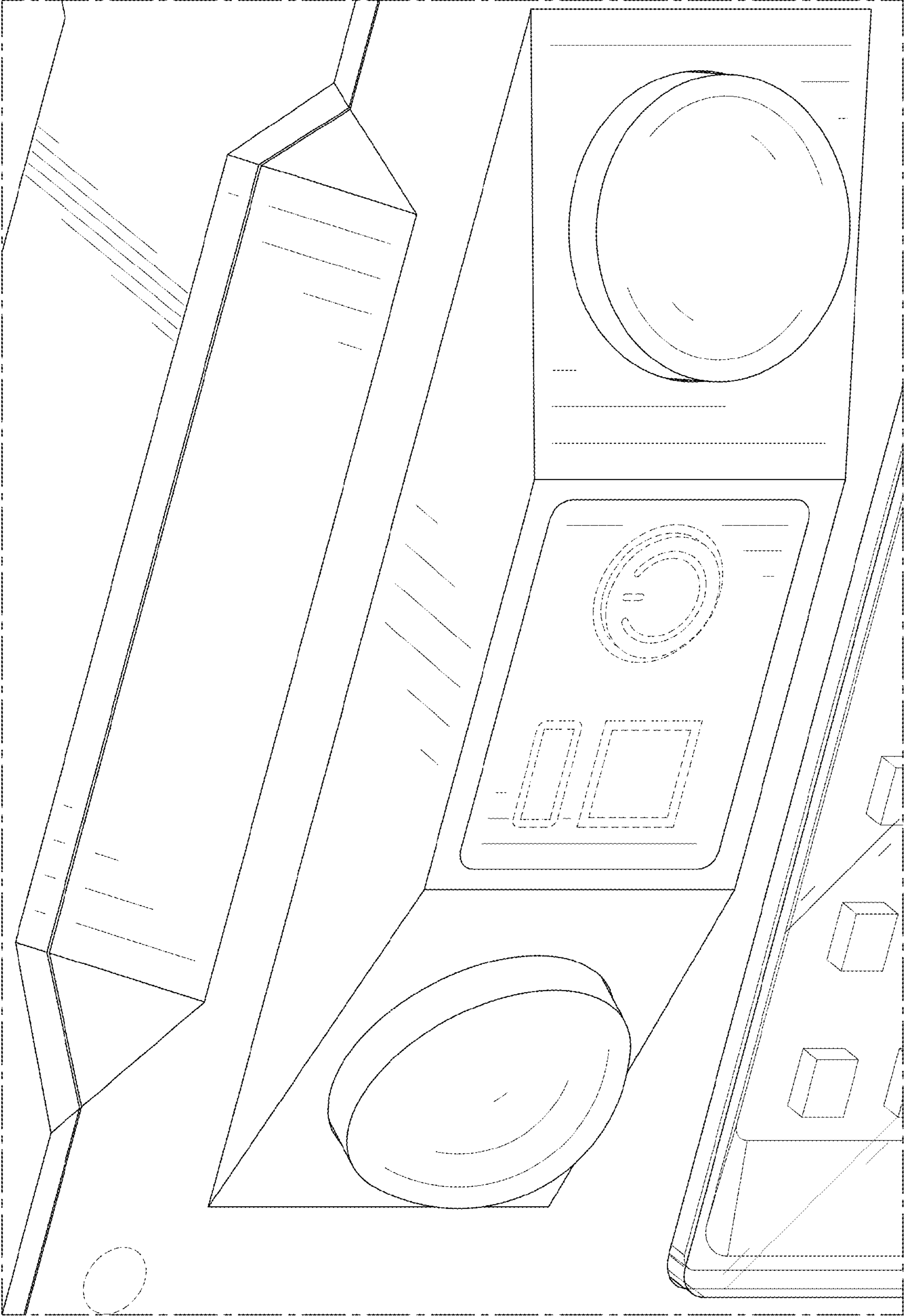


FIG. 9