



US00D985821S

(12) **United States Design Patent** (10) **Patent No.:** **US D985,821 S**
Rajasekaran (45) **Date of Patent:** **** May 9, 2023**

(54) **SOLAR LAMP**

(71) Applicant: **E. MISHAN & SONS, INC.**, New York, NY (US)

(72) Inventor: **Mohan Rajasekaran**, Watertown, CT (US)

(73) Assignee: **E. Mishan & Sons, Inc.**, New York, NY (US)

(**) Term: **15 Years**

(21) Appl. No.: **29/823,556**

(22) Filed: **Jan. 18, 2022**

(51) **LOC (14) Cl.** **26-05**

(52) **U.S. Cl.**
USPC **D26/67; D22/123; D26/51**

(58) **Field of Classification Search**
USPC **D26/67-70, 72, 85, 51; D22/123**
CPC **F21S 8/03; F21S 8/033; F21S 8/036; F21S 8/081; F21S 9/037; F21W 2111/02; F21W 2111/023; F21W 2131/109; A01M 1/04; A01M 1/08; A01M 1/223**
See application file for complete search history.

(56) **References Cited**

U.S. PATENT DOCUMENTS

D98,852	S *	3/1936	Canning	D26/77
D98,853	S *	3/1936	Canning	D26/109
D302,578	S *	8/1989	Lee	D22/123
4,959,923	A	10/1990	Aiello et al.		
5,259,153	A	11/1993	Olive et al.		
5,301,456	A	4/1994	Jobin et al.		
6,421,952	B1	7/2002	Vascocu		
6,568,124	B1	5/2003	Wilbanks		
6,594,946	B2	7/2003	Nolen et al.		
6,618,984	B1	9/2003	Li		
8,327,577	B2	12/2012	Liang		
8,424,239	B1 *	4/2013	Gallo	A01M 1/04 43/112

D688,403	S *	8/2013	Landefeld	D26/69
8,514,094	B2	8/2013	Richmond		
D693,900	S *	11/2013	Jan	D22/120
9,326,497	B2	5/2016	Rocha		
9,353,938	B2	5/2016	Richmond		
9,883,667	B2	2/2018	Lee et al.		
10,051,851	B2	8/2018	Hariyama et al.		
10,104,879	B2	10/2018	McGowan et al.		
10,188,091	B2	1/2019	Horne		
D895,876	S *	9/2020	Tang	D26/67

(Continued)

OTHER PUBLICATIONS

Bell & Howell Monster Solar Bug Zapper and Solar Flood Light, ASIN: B09TQ6THVP. Available at amazon.com as early as Jun. 13, 2022. (Year: 2022).*

(Continued)

Primary Examiner — Clare E Heflin
(74) *Attorney, Agent, or Firm* — Notaro, Michalos & Zaccaria P.C.

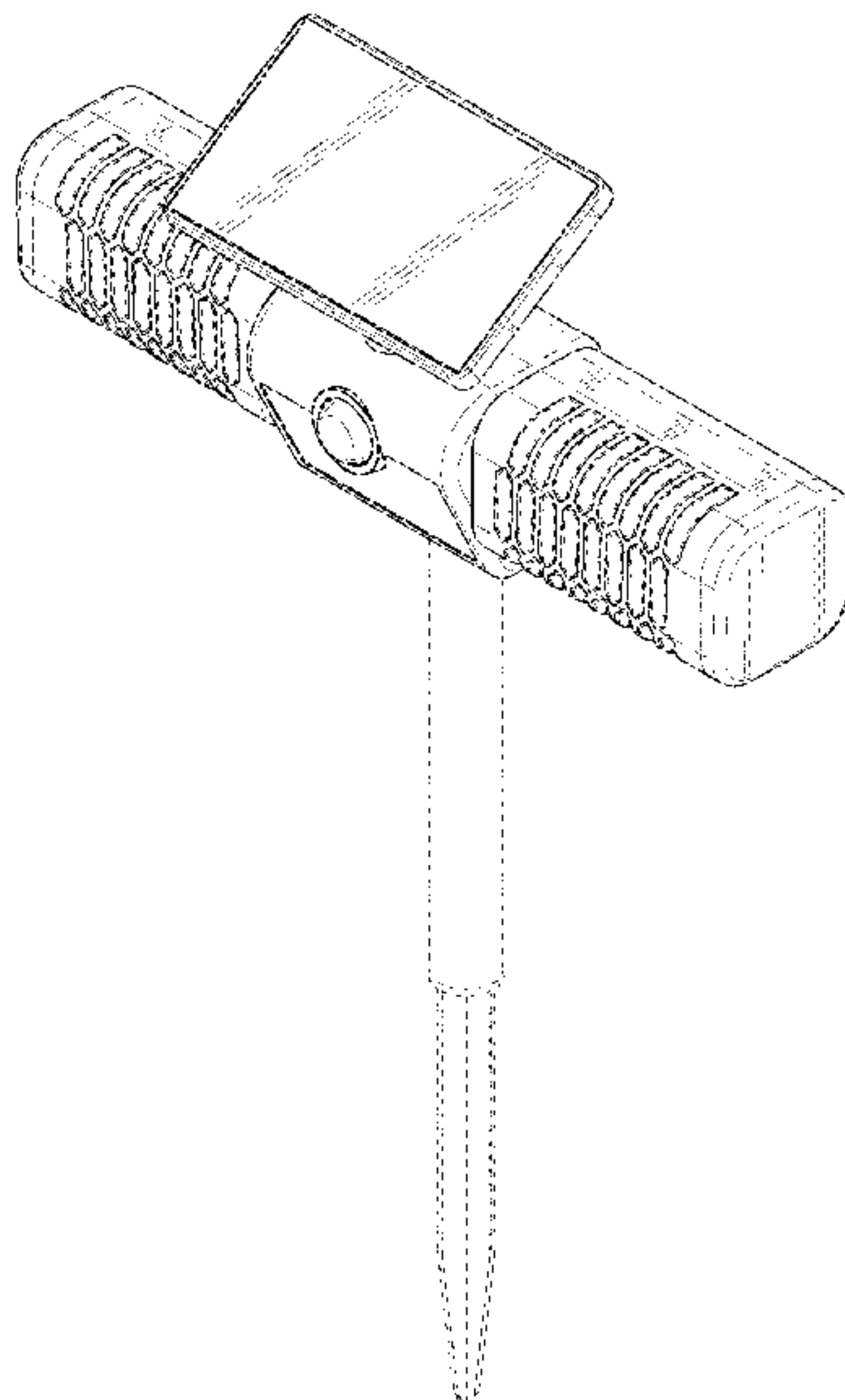
(57) **CLAIM**

The ornamental design for a solar lamp, as shown and described.

DESCRIPTION

FIG. 1 is a front perspective view of a solar lamp showing my design;
FIG. 2 is a front view thereof;
FIG. 3 is a rear view thereof;
FIG. 4 is a right view thereof;
FIG. 5 is a left view thereof;
FIG. 6 is a top view thereof; and,
FIG. 7 is a bottom view thereof.
The broken lines inside the vent holes represent the bounds of the claimed design while all other broken lines are directed to portions of the solar lamp; none of the broken lines form part of the claimed design.

1 Claim, 7 Drawing Sheets



(56)

References Cited

U.S. PATENT DOCUMENTS

10,823,350	B1	11/2020	Richmond	
10,986,828	B1	4/2021	Studer et al.	
11,002,417	B2	5/2021	Rubel	
D938,083	S *	12/2021	Cai	D26/67
D945,556	S *	3/2022	Luo	D22/123
D979,009	S *	2/2023	Liao	D22/123
2003/0056426	A1 *	3/2003	Nelson	A01M 1/223 43/112
2007/0107298	A1	5/2007	Miao	
2007/0144056	A1	6/2007	Gleason, Jr.	
2007/0175085	A1	8/2007	Chen	
2008/0034642	A1 *	2/2008	Chen	A01M 1/04 43/112
2008/0090189	A1 *	4/2008	Lin	A01M 1/04 431/137
2009/0038207	A1	2/2009	Lin	
2009/0100743	A1 *	4/2009	Prater	A01M 1/04 43/112
2009/0277073	A1	11/2009	Chen	
2012/0171945	A1 *	7/2012	Lee	F24F 8/00 454/237
2019/0307114	A1	10/2019	Cajigas et al.	
2020/0053998	A1	2/2020	Plain	
2020/0375168	A1	12/2020	Kaye	
2020/0404898	A1	12/2020	McMillan	

OTHER PUBLICATIONS

Pinumi Bug and Fly Zapper Light, ASIN: B07PPWZRS9. Date listed as fist available from amazon.com—Mar. 15, 2019. (Year: 2019).*

* cited by examiner

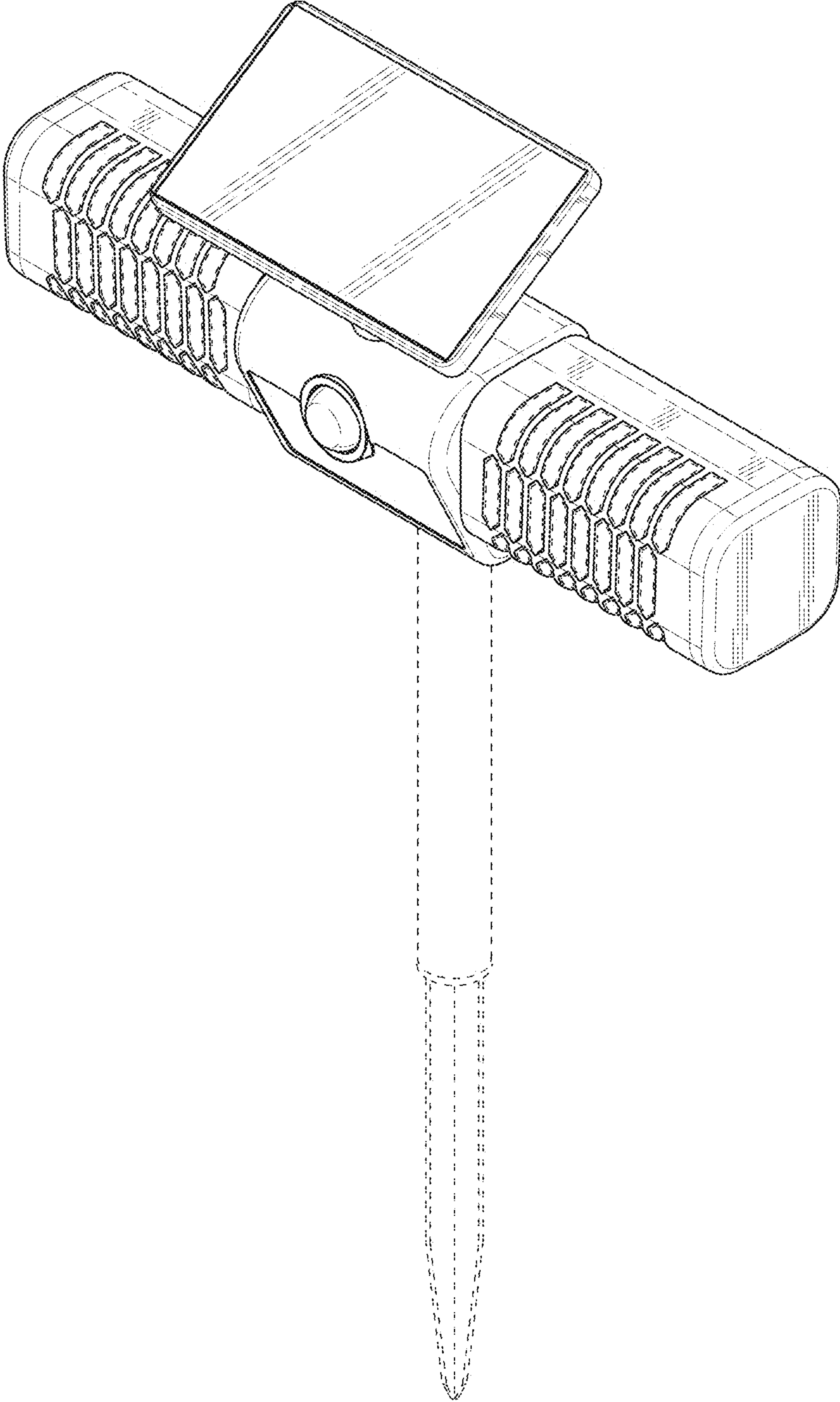


FIG. 1

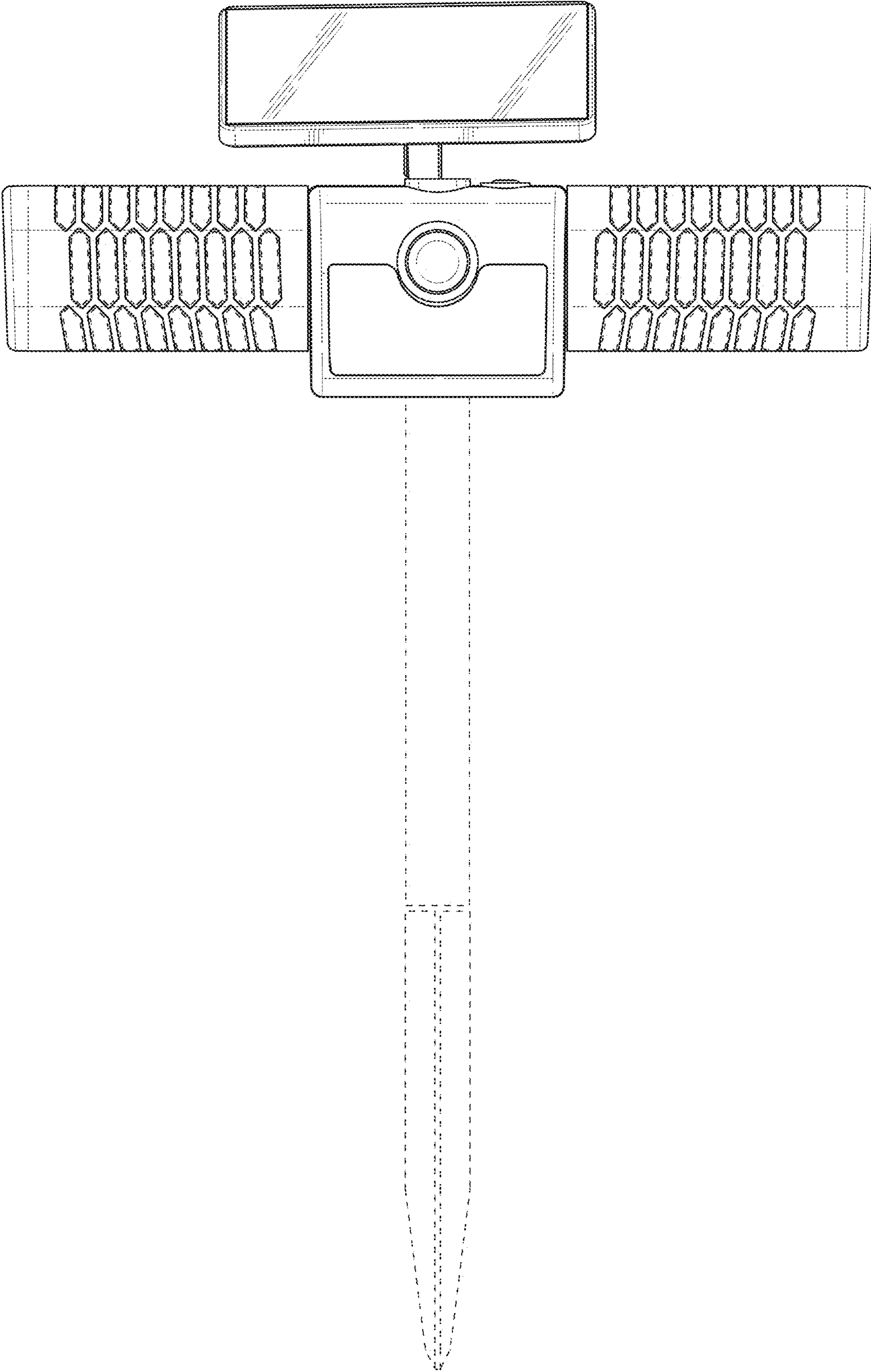


FIG. 2

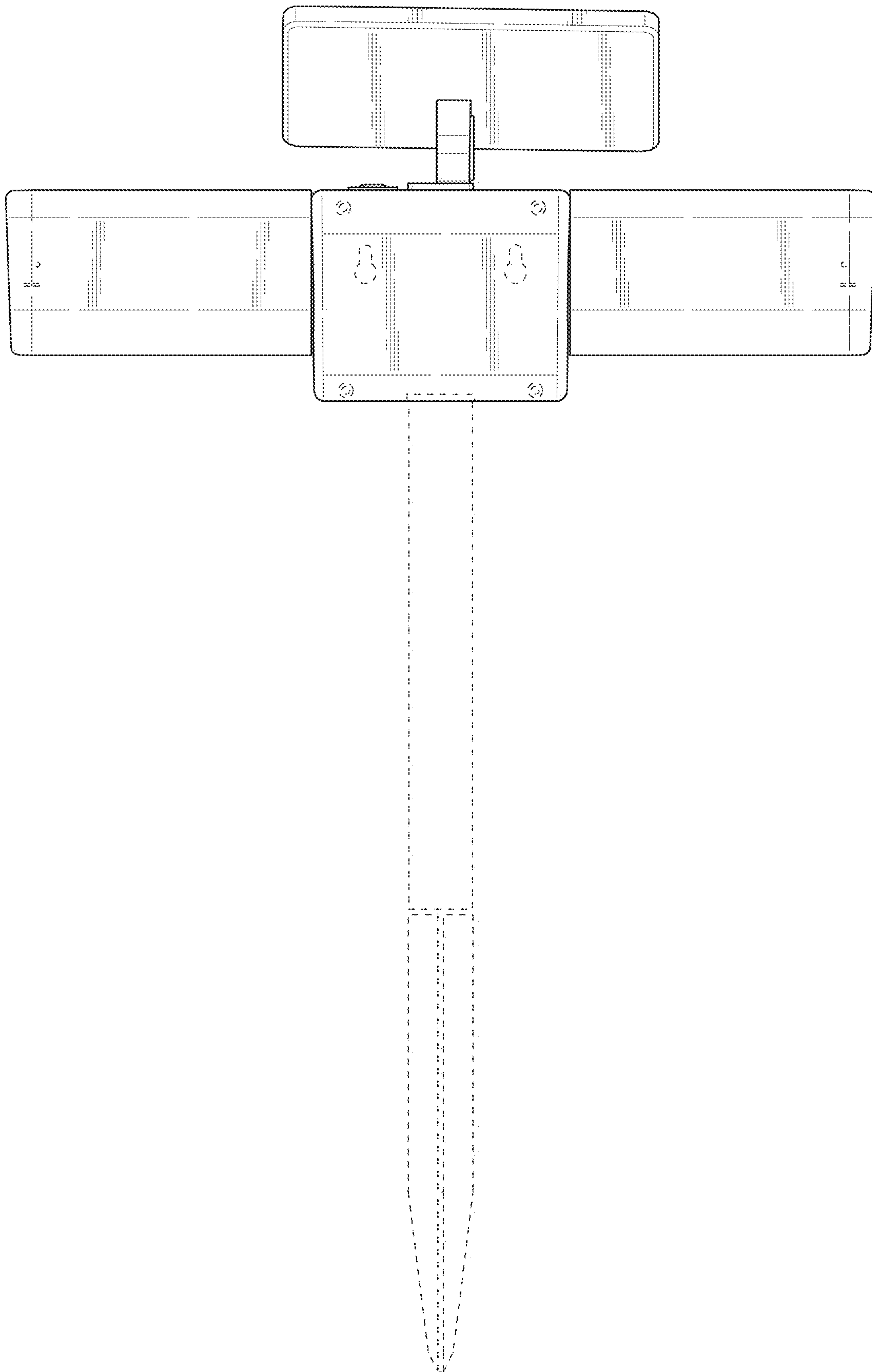


FIG. 3

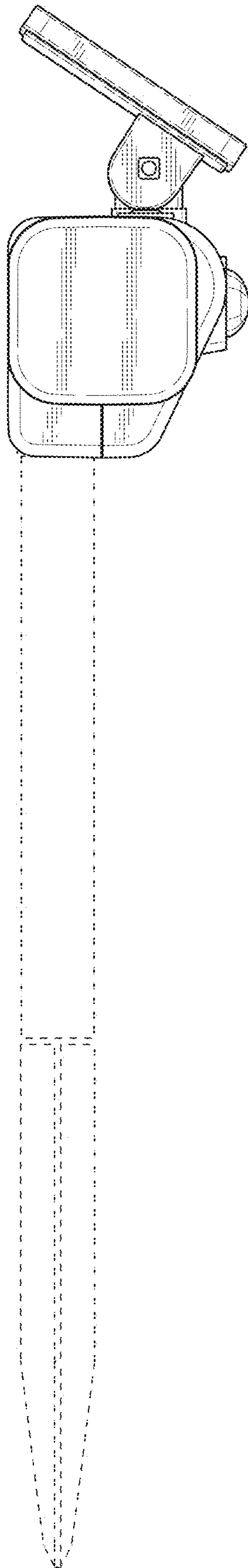


FIG. 4

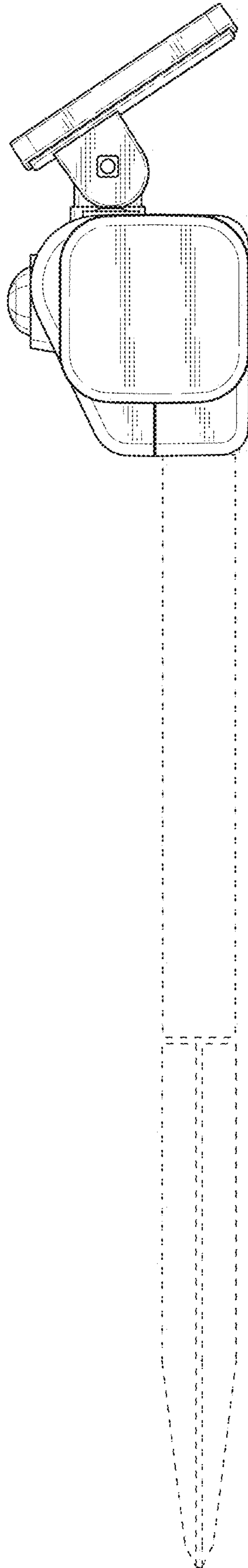


FIG. 5

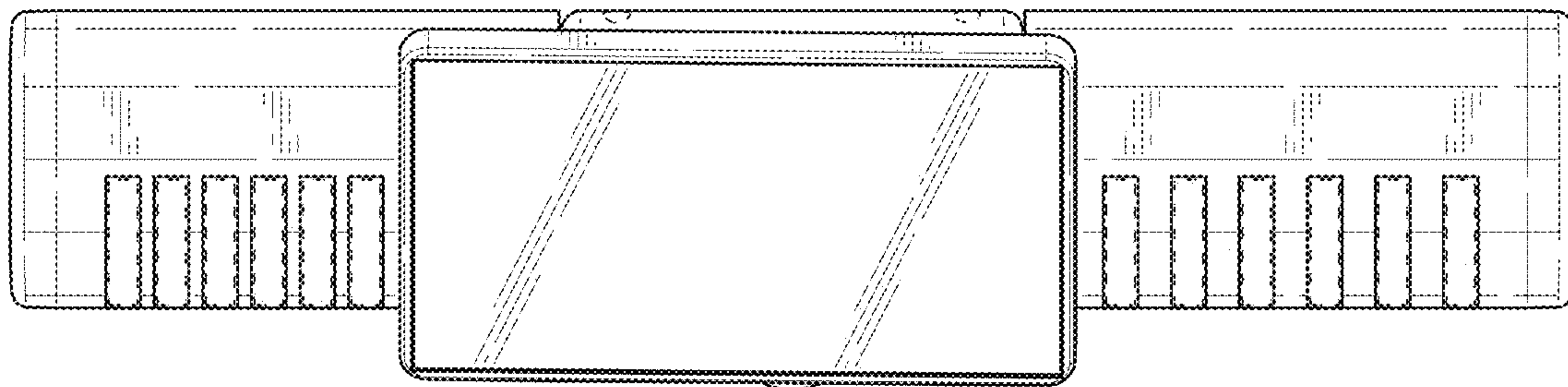


FIG. 6

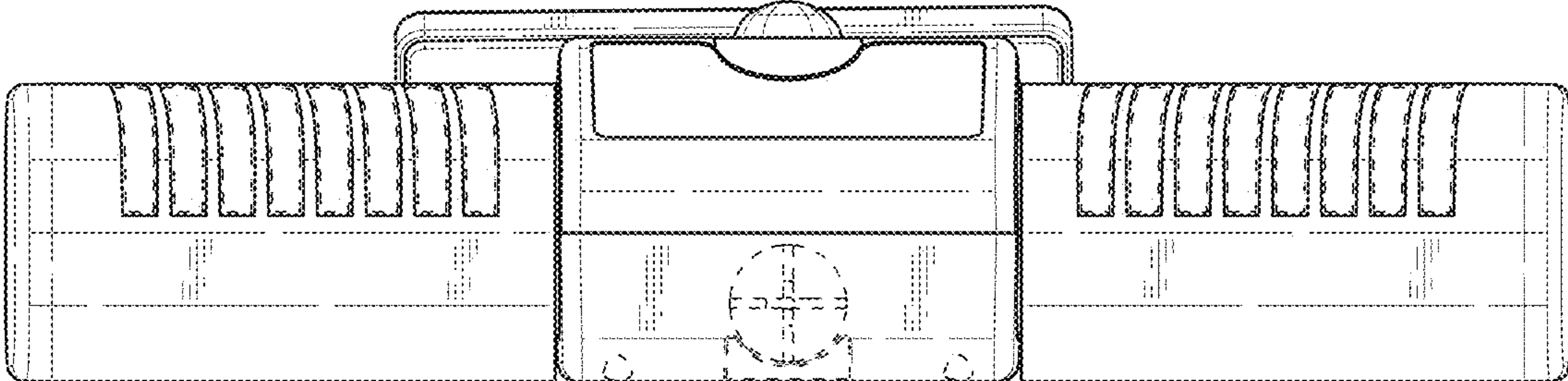


FIG. 7