



US00D985820S

(12) **United States Design Patent** (10) **Patent No.:** **US D985,820 S**  
**Liu** (45) **Date of Patent:** **\*\* May 9, 2023**

(54) **SOLAR LAMP**

FOREIGN PATENT DOCUMENTS

(71) Applicant: **Haifeng Liu**, Hai'an (CN)

CN 307206088 \* 3/2022

(72) Inventor: **Haifeng Liu**, Hai'an (CN)

OTHER PUBLICATIONS

(73) Assignee: **Haifeng Liu**, Hai'an (CN)

(\*\*) Term: **15 Years**

"AmeriTop" reference by Lovin Product Inc on Amazon.com, date first available May 18, 2021 [online], site visited Dec. 23, 2022, available from internet URL: <https://www.amazon.com/Solar-Lights-Outdoor-Adjustable-Illumination/dp/B0957ZMRKZ> (Year: 2021).\*  
"Affluent" reference by Affluent on Amazon.com, date first available Aug. 29, 2022 [online], site visited Dec. 23, 2022, available from internet URL: <https://www.amazon.com/AFFLUENT-Security-Detector-Waterproof-Illumination/dp/B0B6JK5TPZ> (Year: 2022).\*  
"Solar" reference by YueAo Shop on Amazon.com, date first available Jul. 4, 2021 [online], site visited Dec. 23, 2022, available from internet URL: <https://www.amazon.com/Waterproof-330%C2%B0Wide-Security-Wireless-Exteriores/dp/B0987YRLMR> (Year: 2021).\*

(21) Appl. No.: **29/859,659**

(22) Filed: **Nov. 11, 2022**

(51) **LOC (14) Cl.** ..... **26-05**

(52) **U.S. Cl.**  
USPC ..... **D26/65**

(58) **Field of Classification Search**  
USPC ..... D26/61, 63, 65, 72  
CPC ..... F21S 8/00; F21S 8/006; F21S 8/03; F21S 8/033; F21S 9/03  
See application file for complete search history.

\* cited by examiner

*Primary Examiner* — Richard Kearney  
*Assistant Examiner* — Liv C Anderson  
(74) *Attorney, Agent, or Firm* — Nitin Kaushik

(56) **References Cited**

(57) **CLAIM**

The ornamental design for a solar lamp, as shown and described.

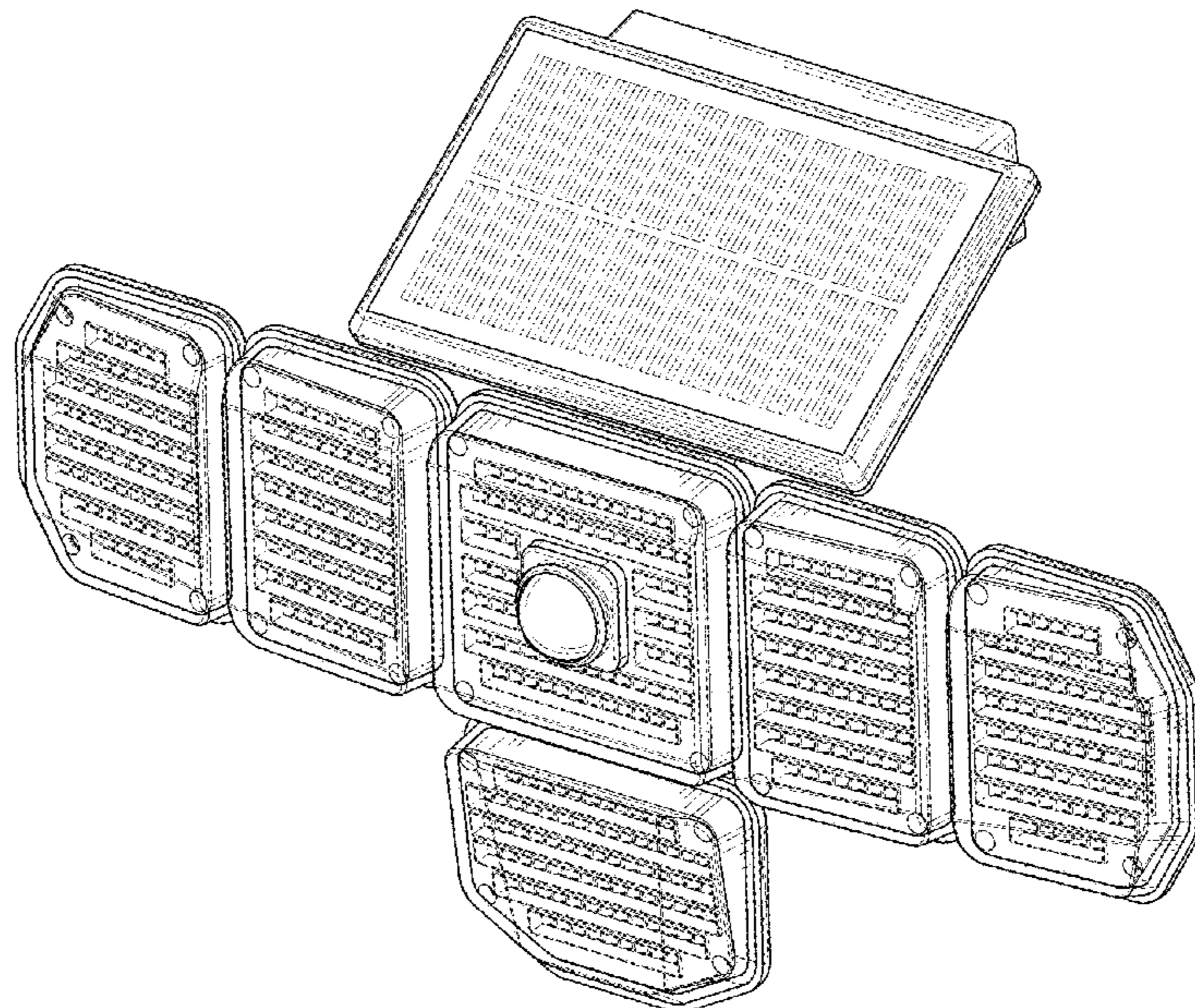
U.S. PATENT DOCUMENTS

**DESCRIPTION**

D911,571 S *	2/2021	Liu	.....	D26/63
D914,261 S *	3/2021	Ouyang	.....	D26/65
D934,479 S *	10/2021	Liu	.....	D26/63
D949,449 S *	4/2022	Zhang	.....	D26/63
D949,450 S *	4/2022	Zhang	.....	D26/63
D949,451 S *	4/2022	Zhang	.....	D26/63
D954,324 S *	6/2022	Rajasekaran	.....	F21S 8/04 D26/65
D956,300 S *	6/2022	Yan	.....	D26/65
D956,304 S *	6/2022	Liu	.....	D26/65
D957,024 S	7/2022	Chen	.....	
D968,002 S *	10/2022	Liu	.....	D26/63
D970,769 S *	11/2022	Wu	.....	D26/63
D970,770 S *	11/2022	Wang	.....	D26/65
D975,330 S *	1/2023	Kong	.....	D26/65
D975,898 S *	1/2023	Wang	.....	D26/65

FIG. 1 is a front perspective view of a solar lamp, showing my new design;  
FIG. 2 is a front view thereof;  
FIG. 3 is a rear view thereof;  
FIG. 4 is a right side view thereof;  
FIG. 5 is a left side view thereof;  
FIG. 6 is a top view thereof; and,  
FIG. 7 is a bottom view thereof.  
The broken lines depict portions of the solar lamp that form no part of the claimed design.

**1 Claim, 7 Drawing Sheets**



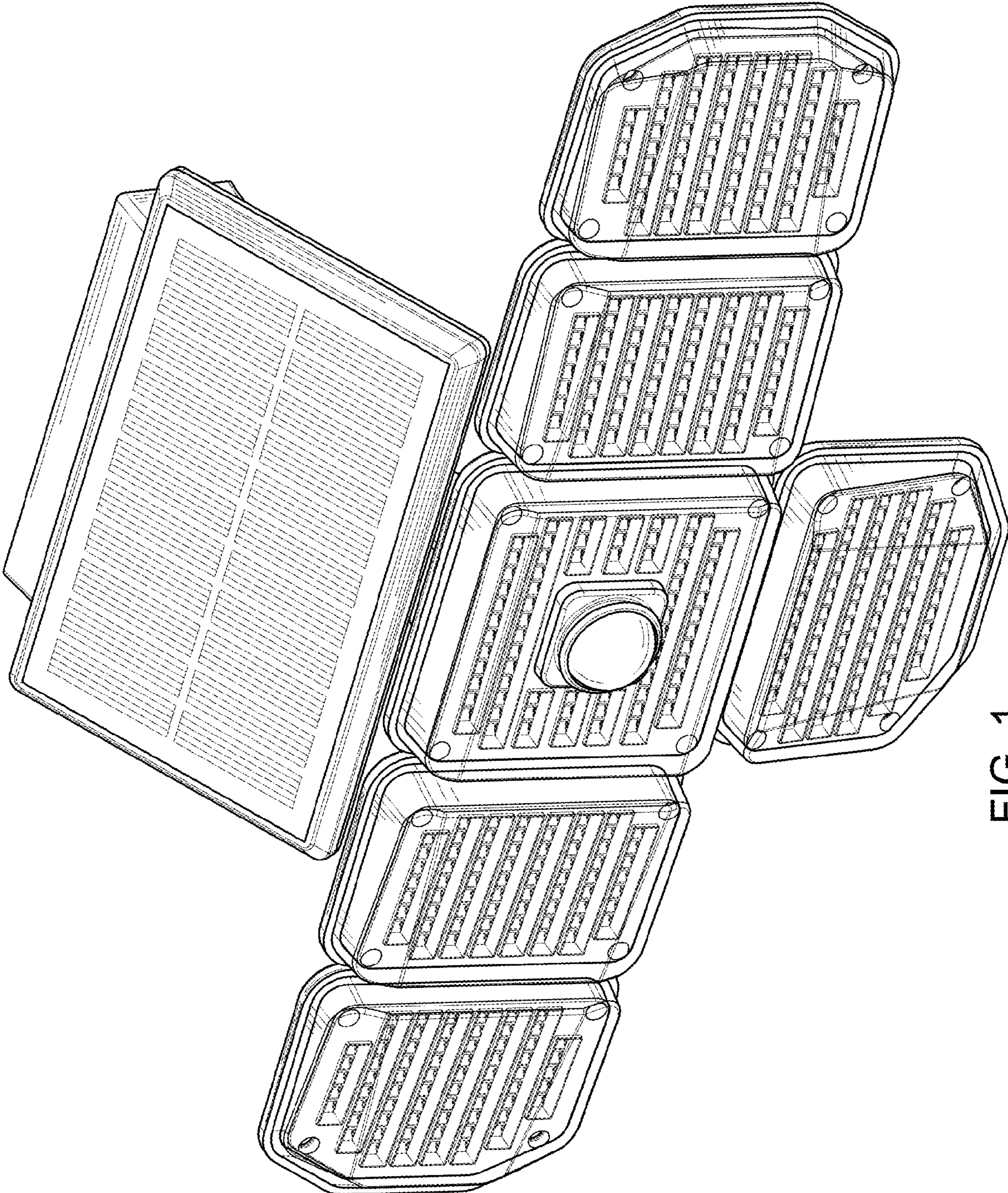


FIG. 1

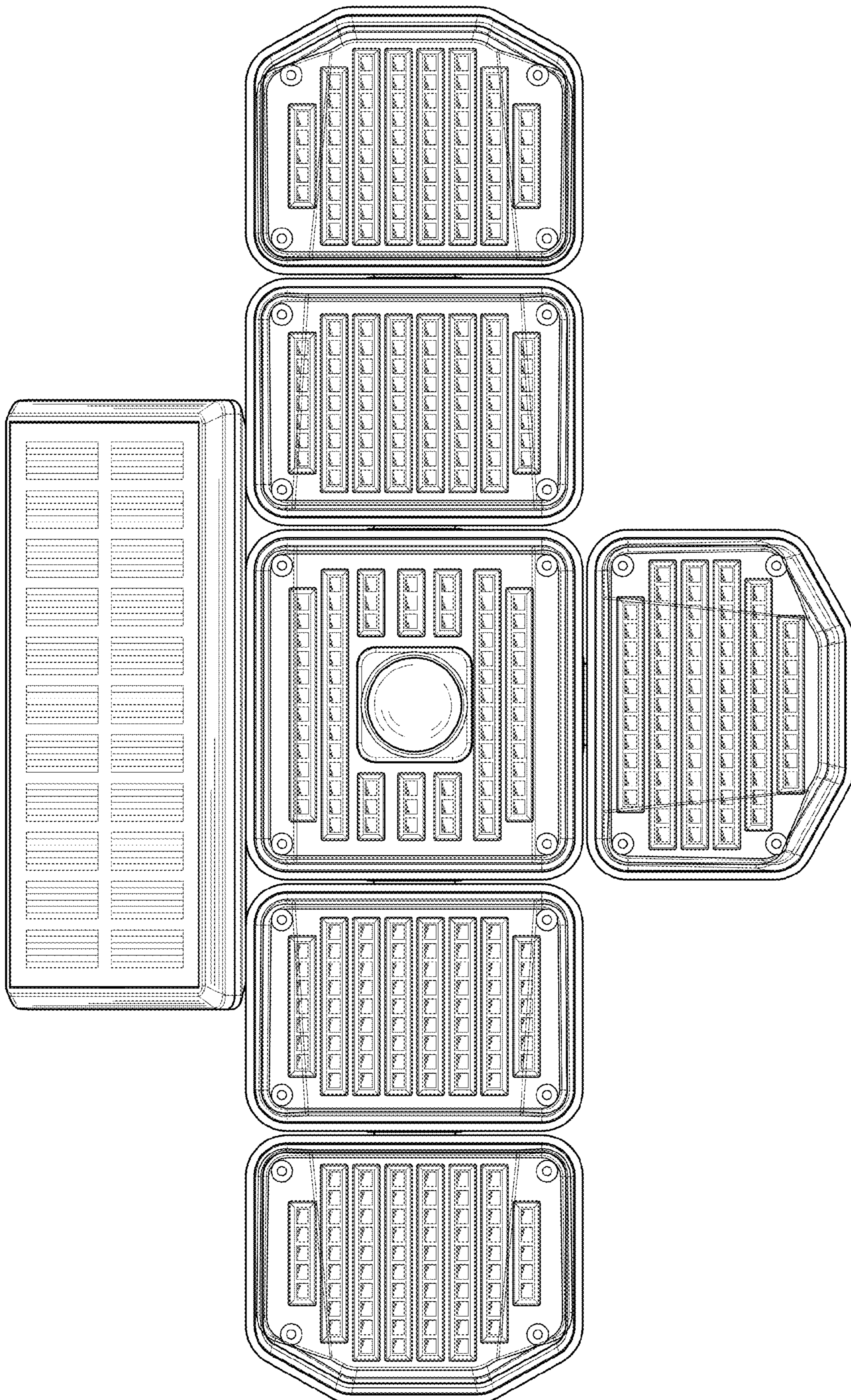


FIG. 2

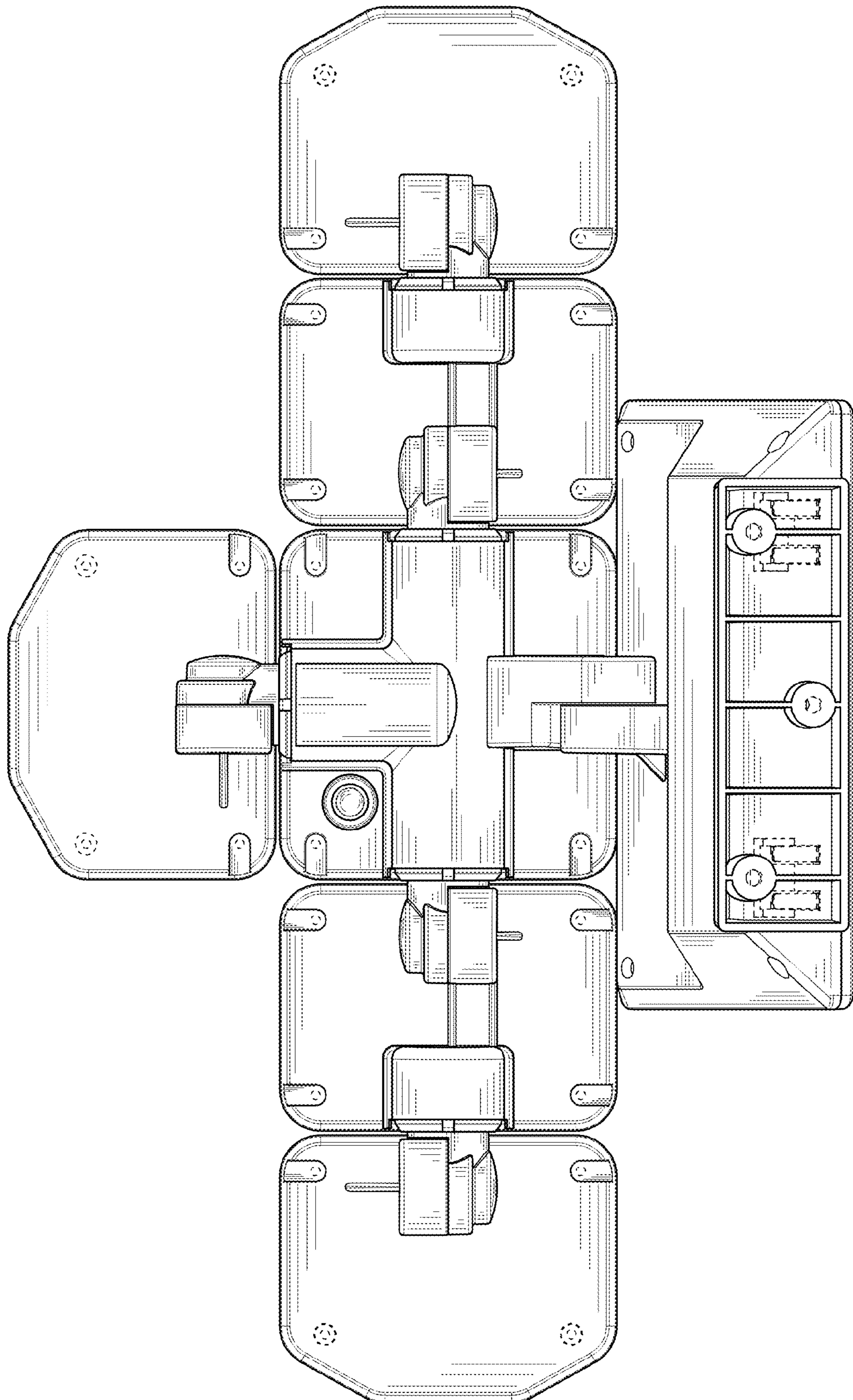


FIG. 3

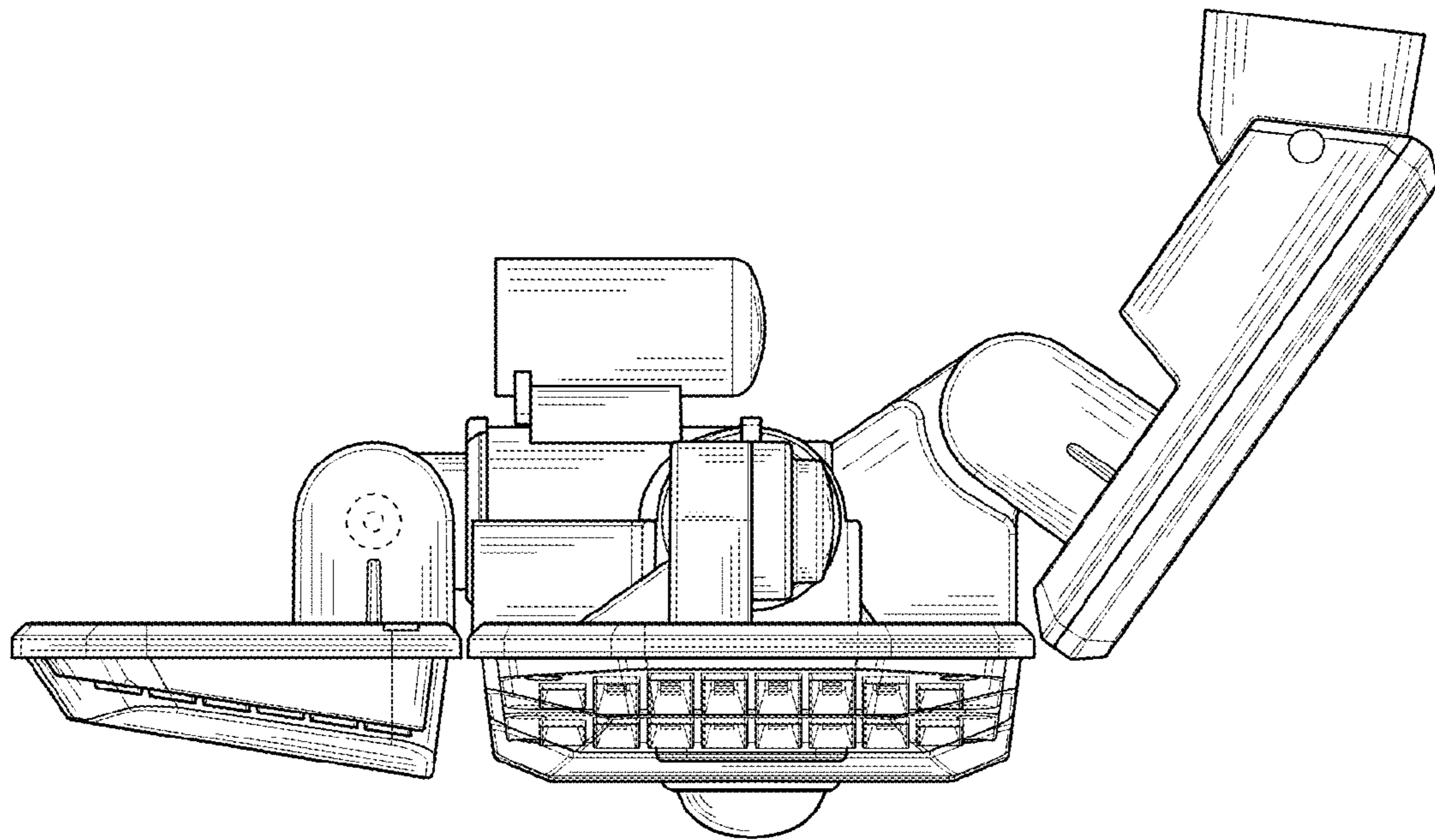


FIG. 4

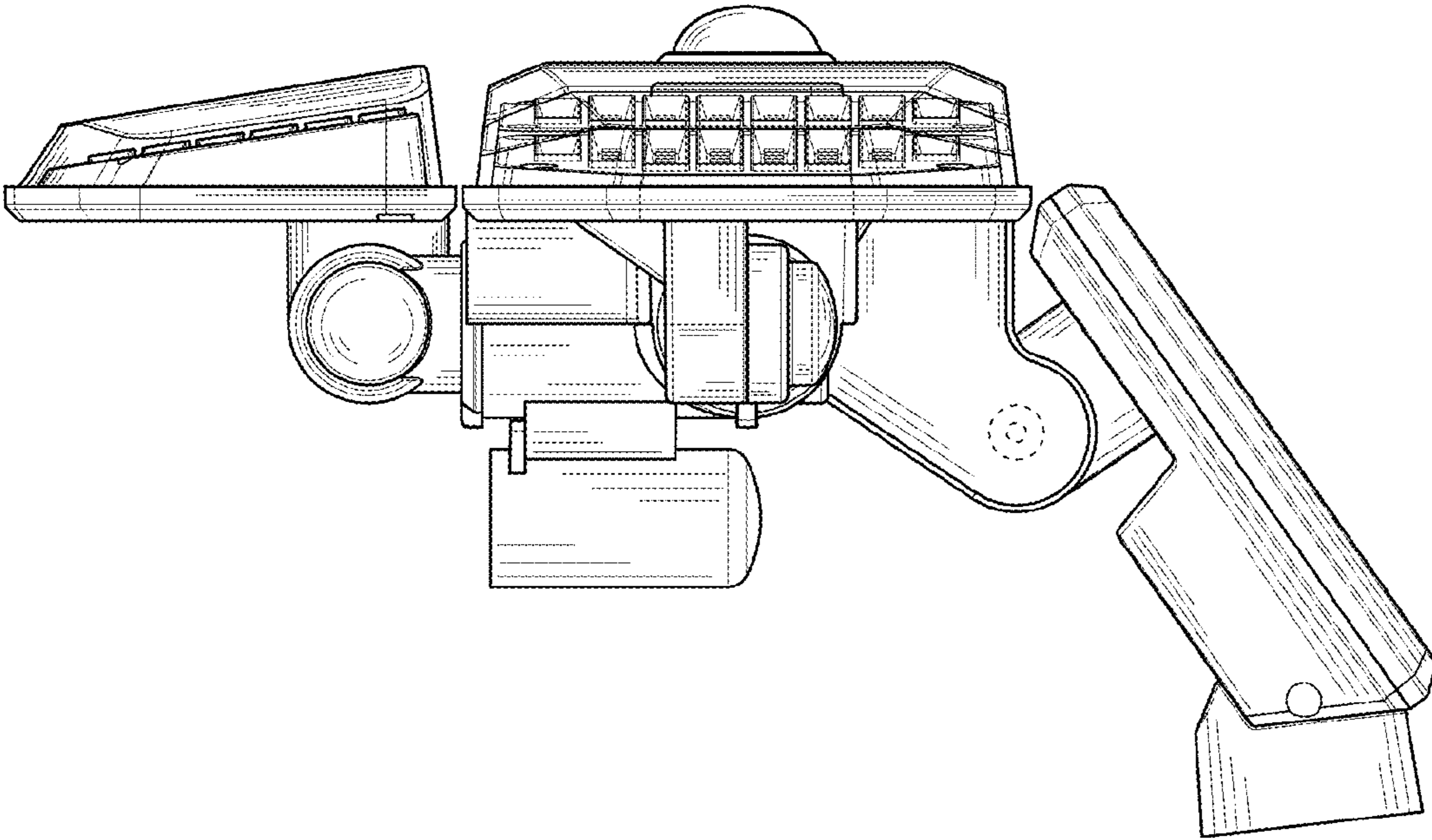


FIG. 5

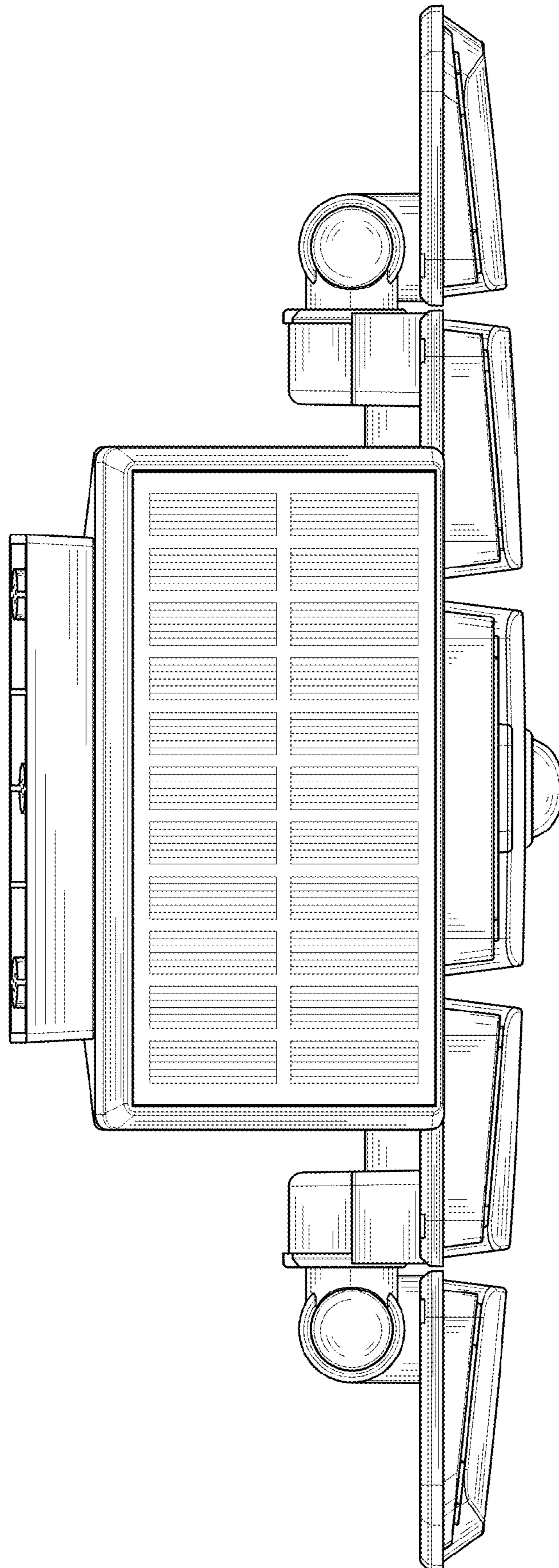


FIG. 6

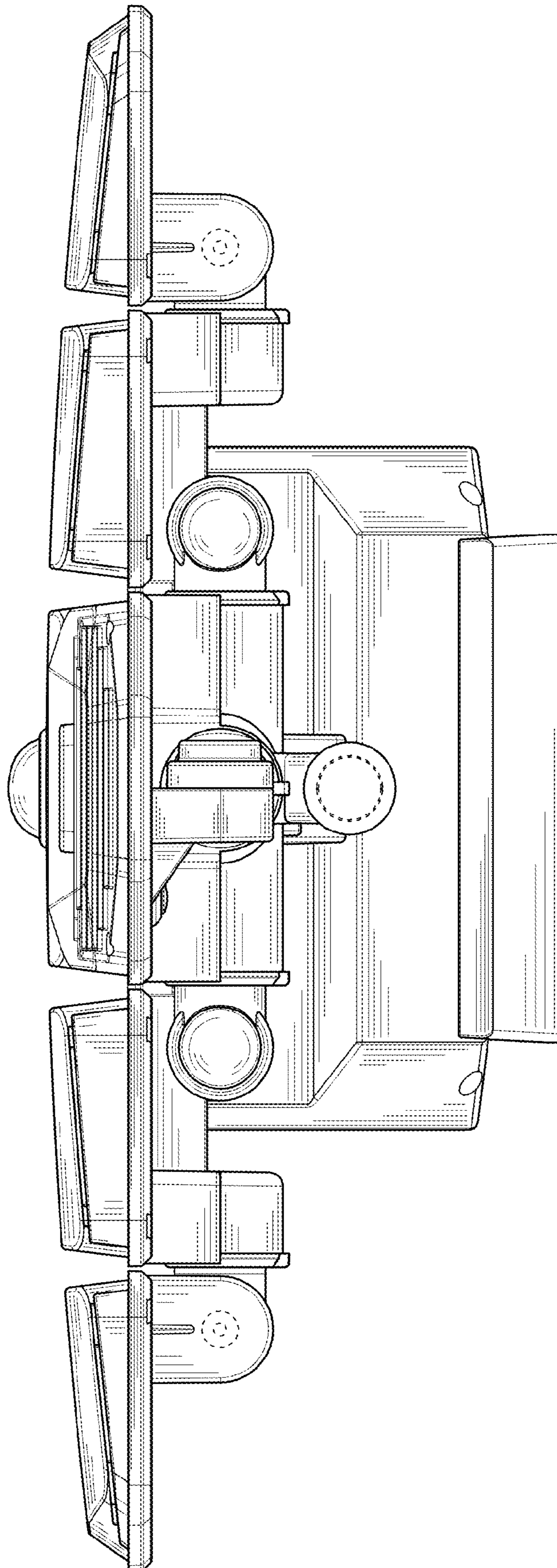


FIG. 7