



US00D985816S

(12) **United States Design Patent** (10) **Patent No.:** **US D985,816 S**
Stih et al. (45) **Date of Patent:** **** May 9, 2023**

(54) **LIGHTING MODULE**
(71) Applicant: **Mitsubishi Electric Power Products, Inc.**, Warrendale, PA (US)
(72) Inventors: **Todd M Stih**, Allison Park, PA (US); **Michael A Mascari**, Allison Park, PA (US); **David A Corathers**, Cranberry Township, PA (US); **Thomas G Morrison**, Cranberry Township, PA (US); **Darr T James**, Pittsburgh, PA (US)
(73) Assignee: **Mitsubishi Electric Power Products, Inc.**, Warrendale, PA (US)
(**) Term: **15 Years**
(21) Appl. No.: **29/777,328**
(22) Filed: **Apr. 5, 2021**
(51) **LOC (14) Cl.** **26-06**
(52) **U.S. Cl.**
USPC **D26/36**
(58) **Field of Classification Search**
USPC D26/28, 29, 30, 31, 32, 33, 34, 35, 36, D26/139
CPC F21W 2103/35; F21W 2103/40; F21W 2102/17; F21W 2102/30; F21W 2103/00; F21W 2103/55; F21W 2104/00; F21W 2107/17; F21W 2107/13; F21S 41/00; F21S 41/141; F21S 41/162; F21S 41/18; F21S 41/20; F21S 41/33; F21S 41/36; F21S 41/60; F21S 43/00
See application file for complete search history.

D592,778 S * 5/2009 Chang D26/28
D670,416 S * 11/2012 Renshaw D26/28
D745,713 S * 12/2015 Hansen D26/28
D747,018 S * 1/2016 Hansen D26/28
D782,083 S * 3/2017 Huang D26/28
D782,084 S * 3/2017 Huang D26/28
D785,822 S * 5/2017 Huang D26/28
D804,084 S * 11/2017 Radi D26/120
D828,936 S * 9/2018 Huang D26/28
D829,353 S * 9/2018 Tsai D26/28
D830,597 S * 10/2018 Morelock D26/28

* cited by examiner

Primary Examiner — Angela J Lee

(74) *Attorney, Agent, or Firm* — Posz Law Group, PLC

(57) **CLAIM**

The ornamental design for a lighting module, as shown and described.

DESCRIPTION

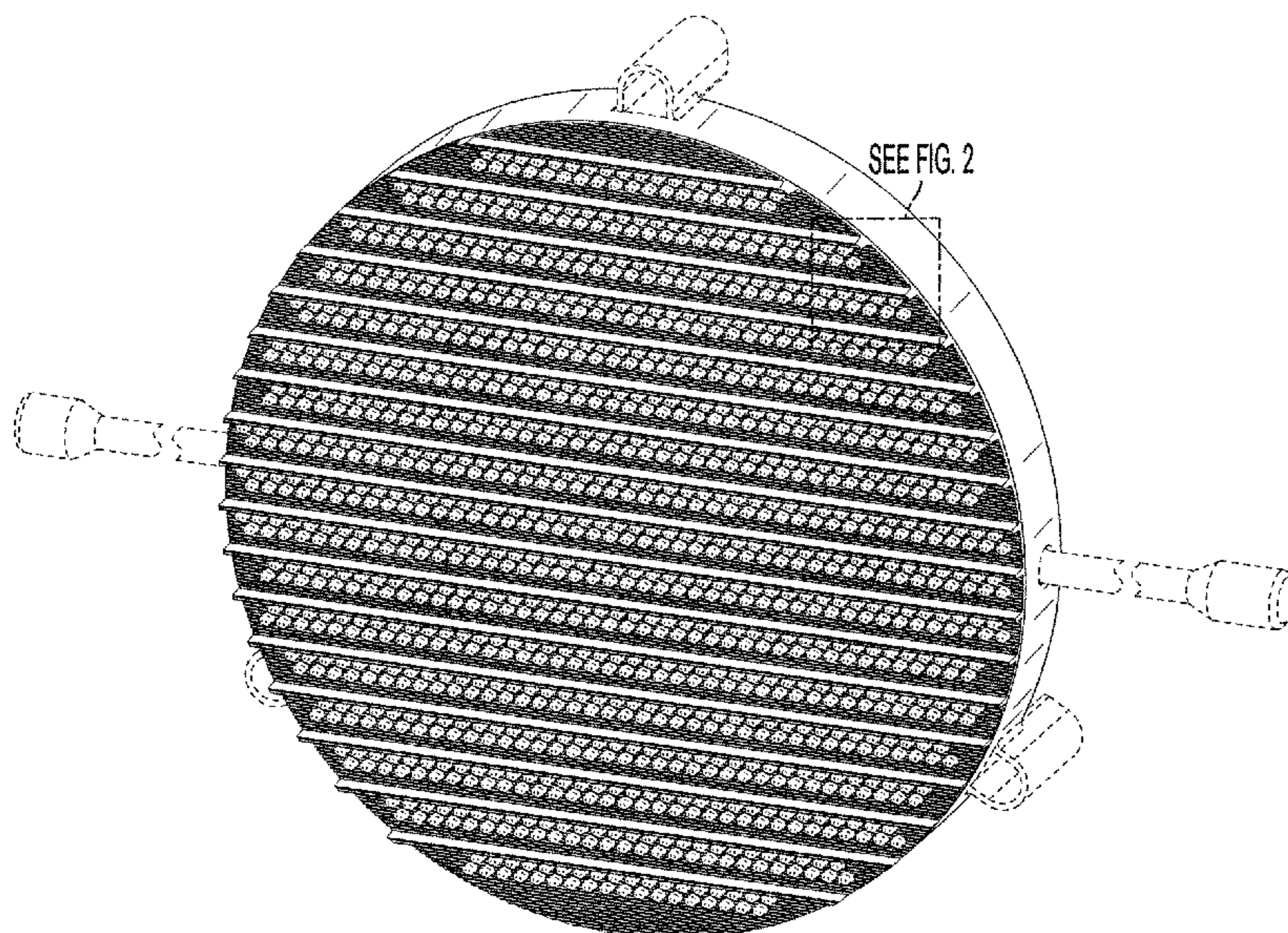
FIG. 1 is a perspective view of a top, front, and right side of a lighting module;
FIG. 2 is an enlarged portion of the perspective view thereof;
FIG. 3 is a front view thereof;
FIG. 4 is an enlarged portion of the front view thereof;
FIG. 5 is a rear view thereof;
FIG. 6 is a top view thereof;
FIG. 7 is a bottom view thereof; and
FIG. 8 is a left view thereof;
FIG. 9 is an enlarged portion of the left view thereof;
FIG. 10 is a right view thereof; and,
FIG. 11 is an exploded view thereof.
The broken lines shown and the areas within the broken lines represent unclaimed subject matter and form no part of the claimed design. The dot-dash broken lines shown in the drawings designate the portions shown in the enlarged views and the dot-dash broken lines form no part of the claimed design.

(56) **References Cited**

U.S. PATENT DOCUMENTS

D495,814 S * 9/2004 James D26/28
D508,577 S * 8/2005 Foo D26/28

1 Claim, 11 Drawing Sheets



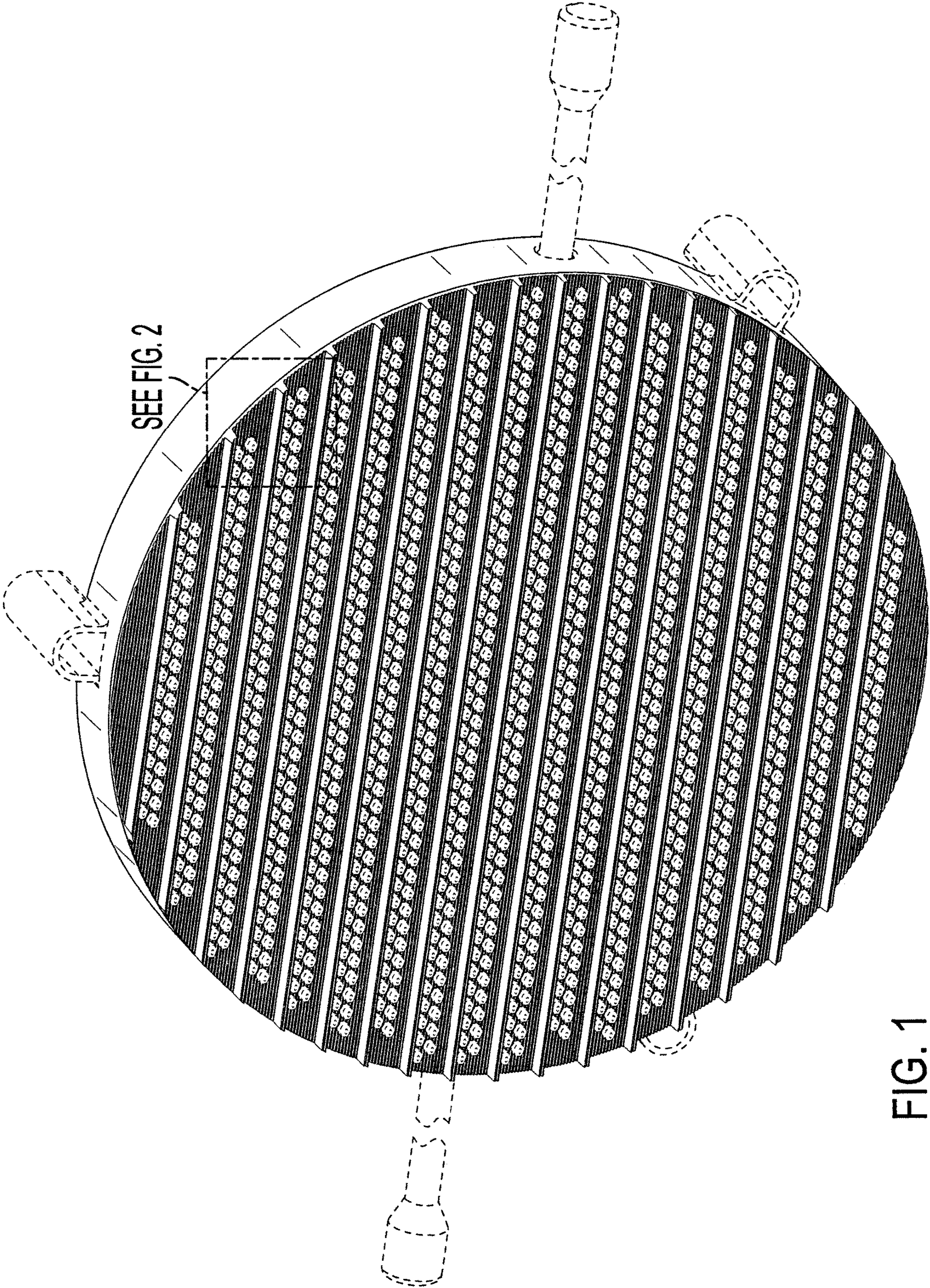


FIG. 1

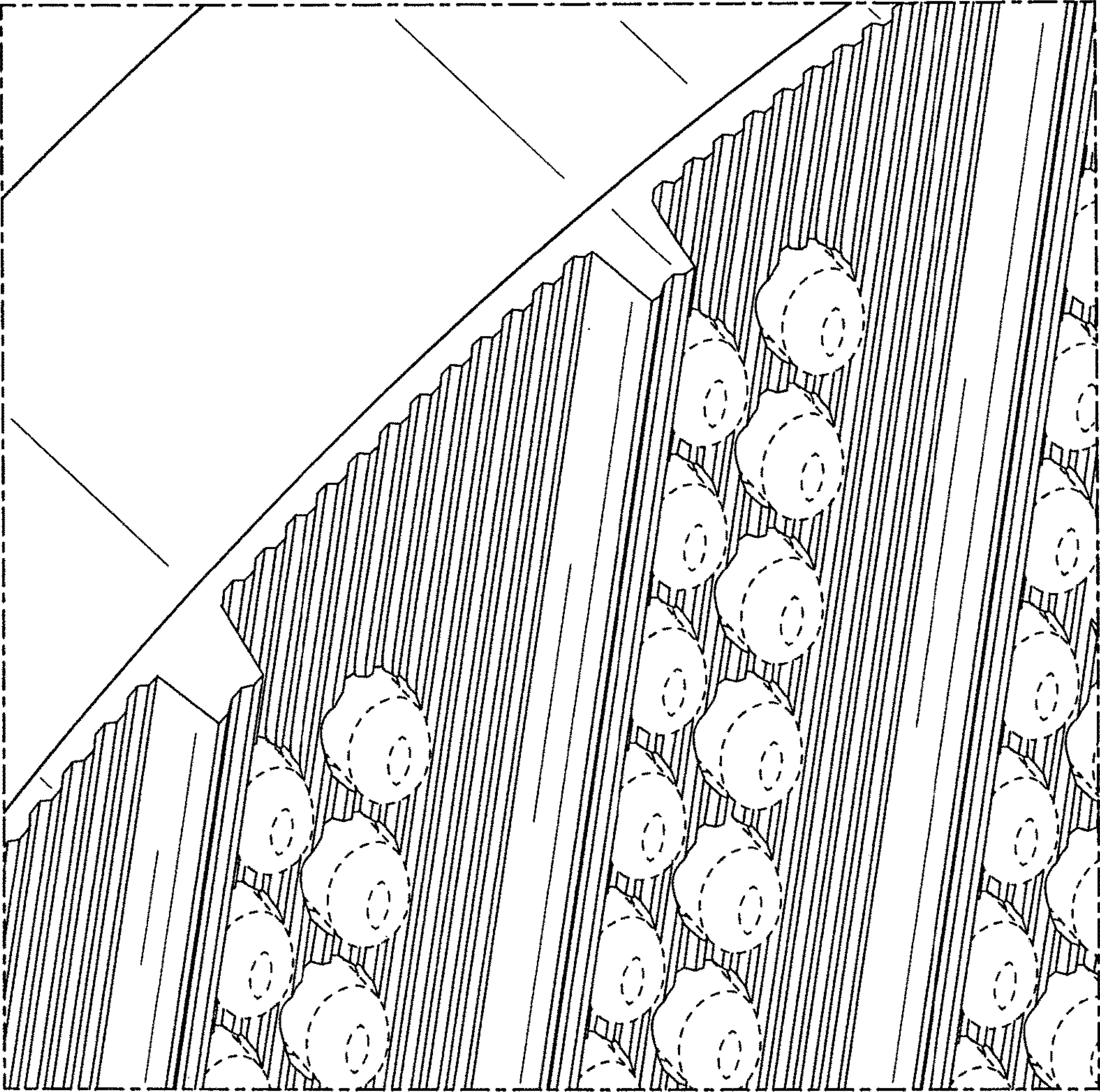


FIG. 2

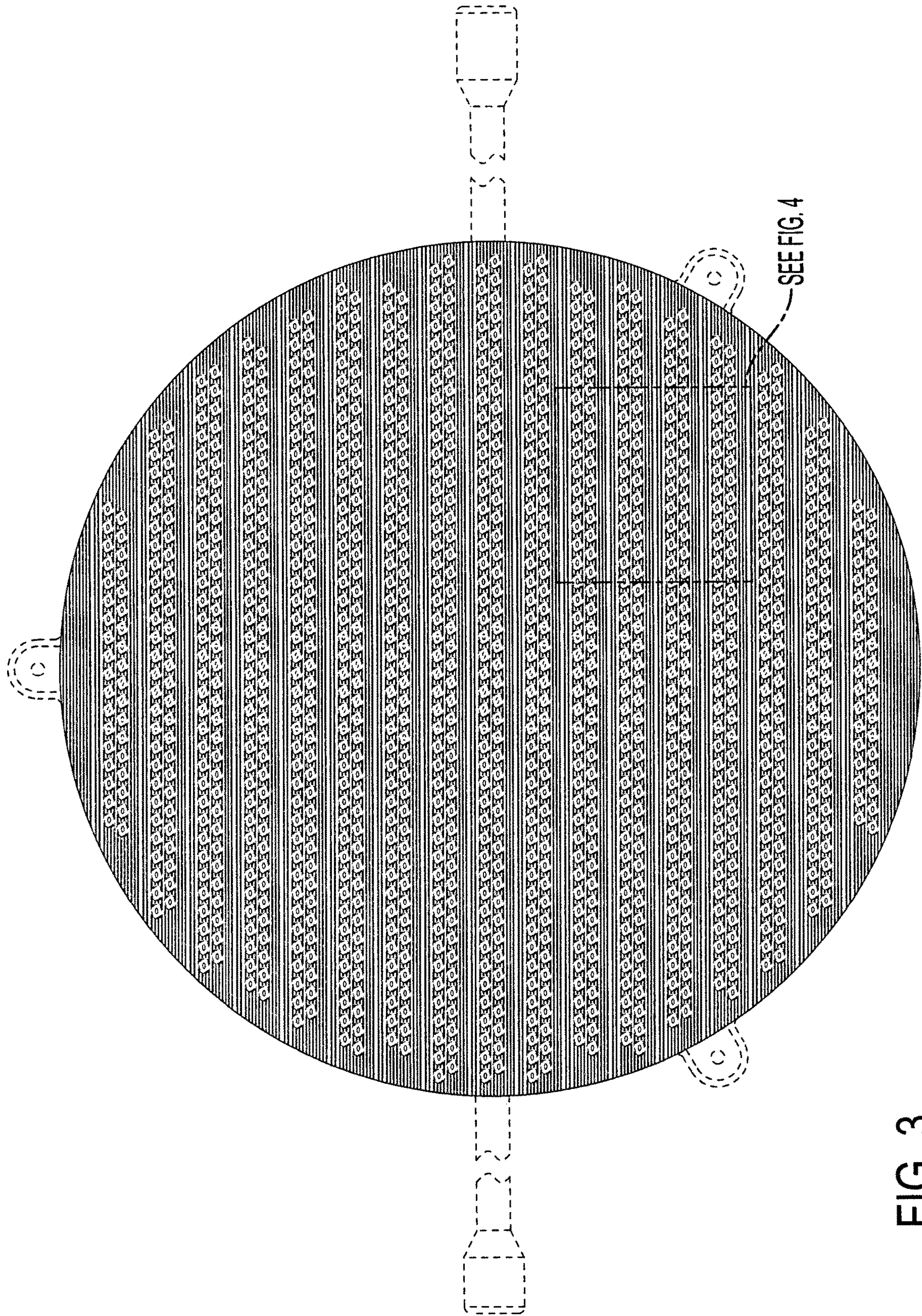


FIG. 3

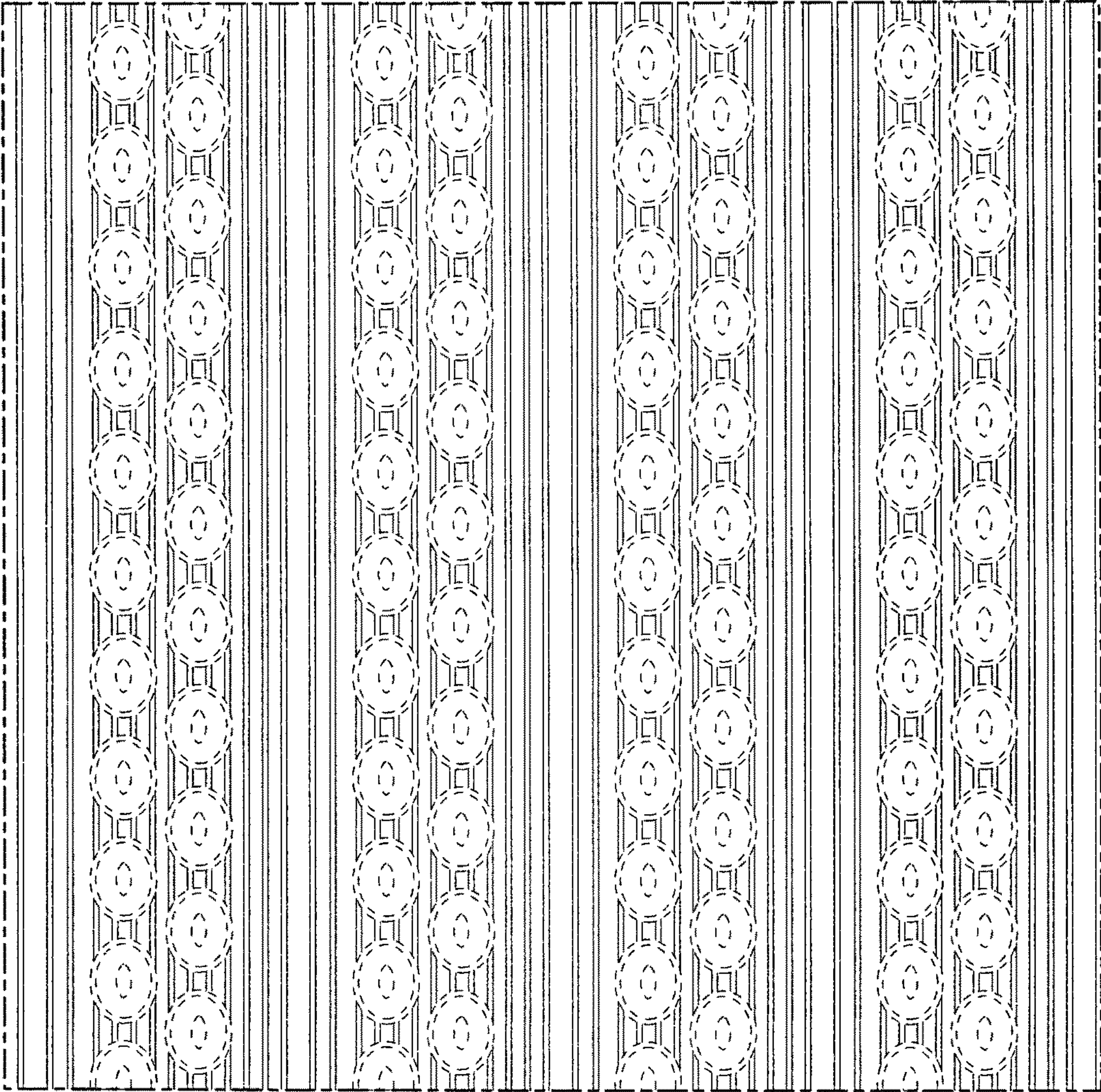


FIG. 4

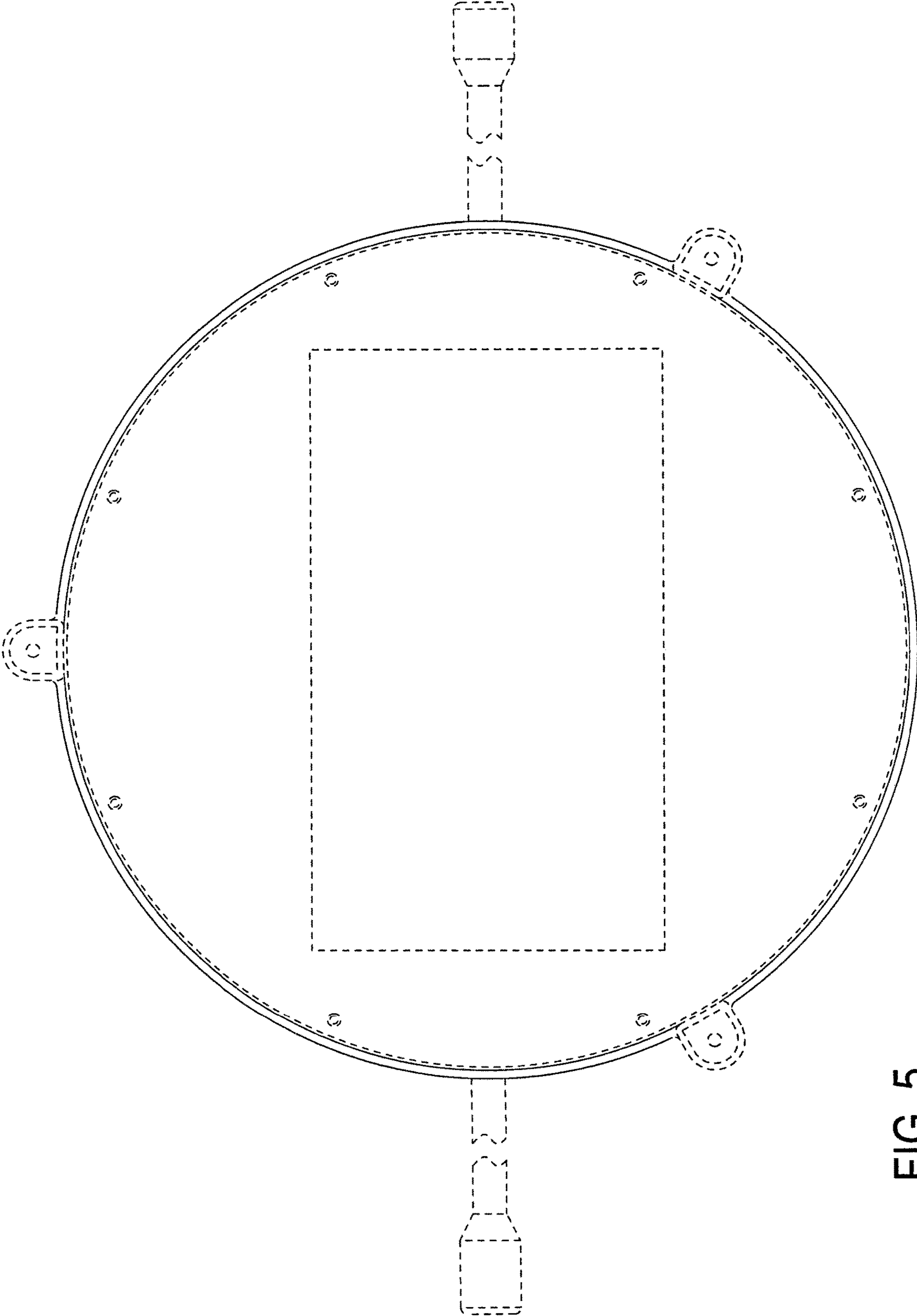


FIG. 5

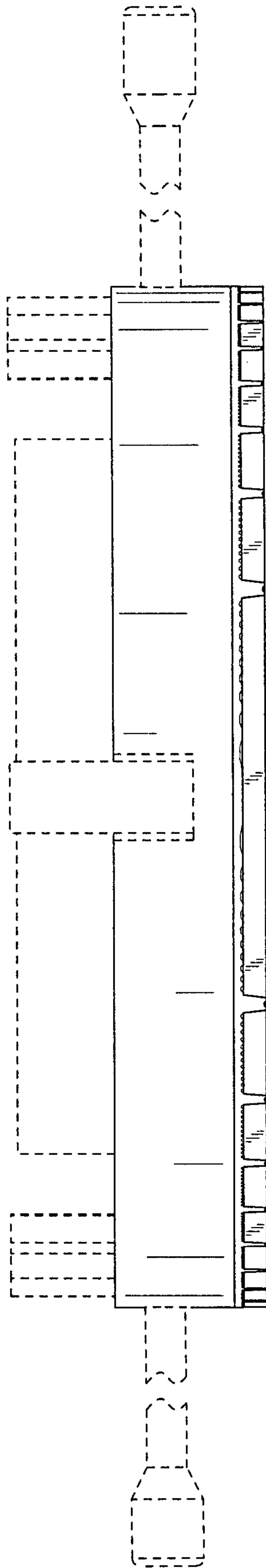


FIG. 6

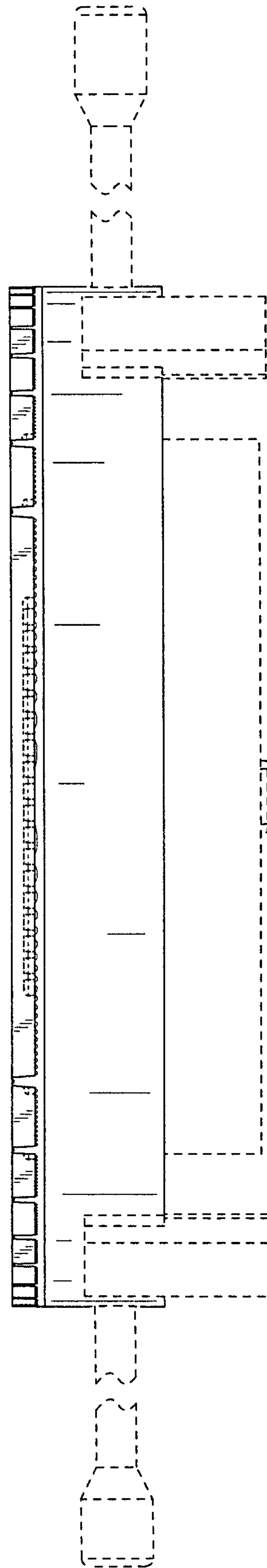
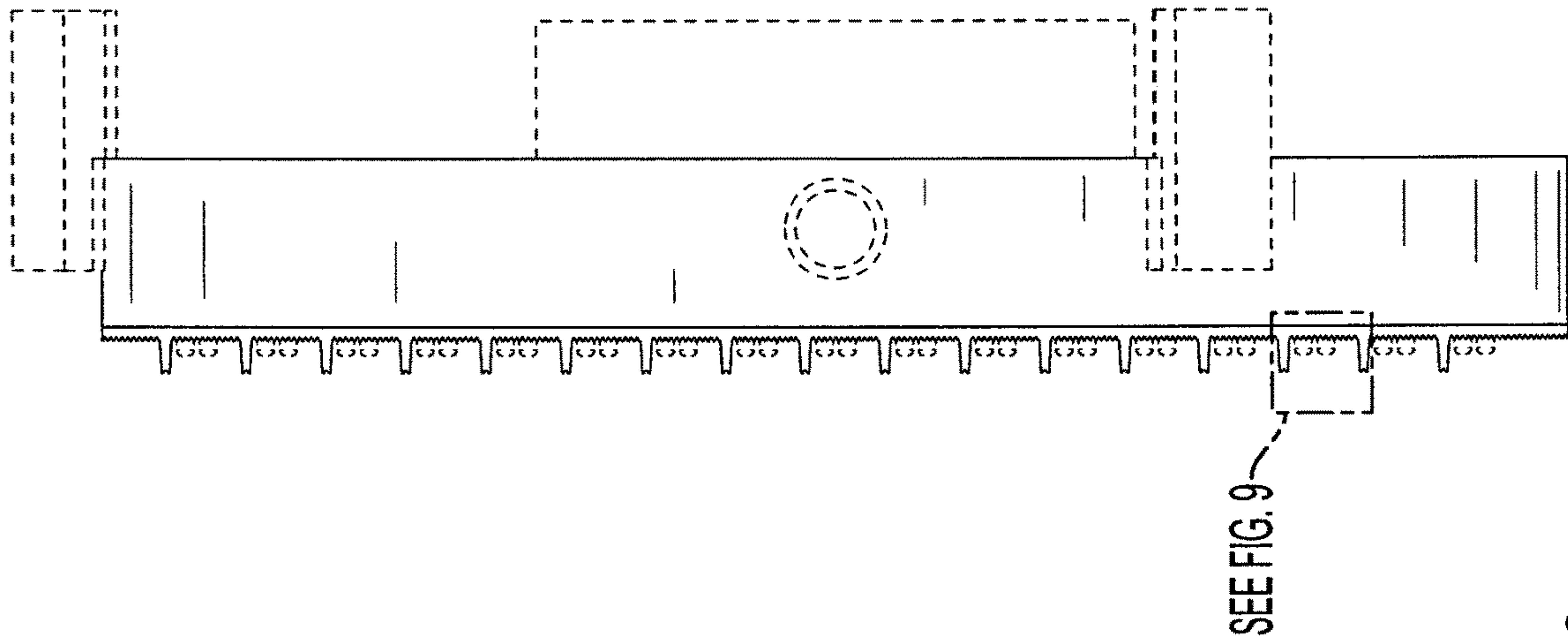


FIG. 7



SEE FIG. 9

FIG. 8

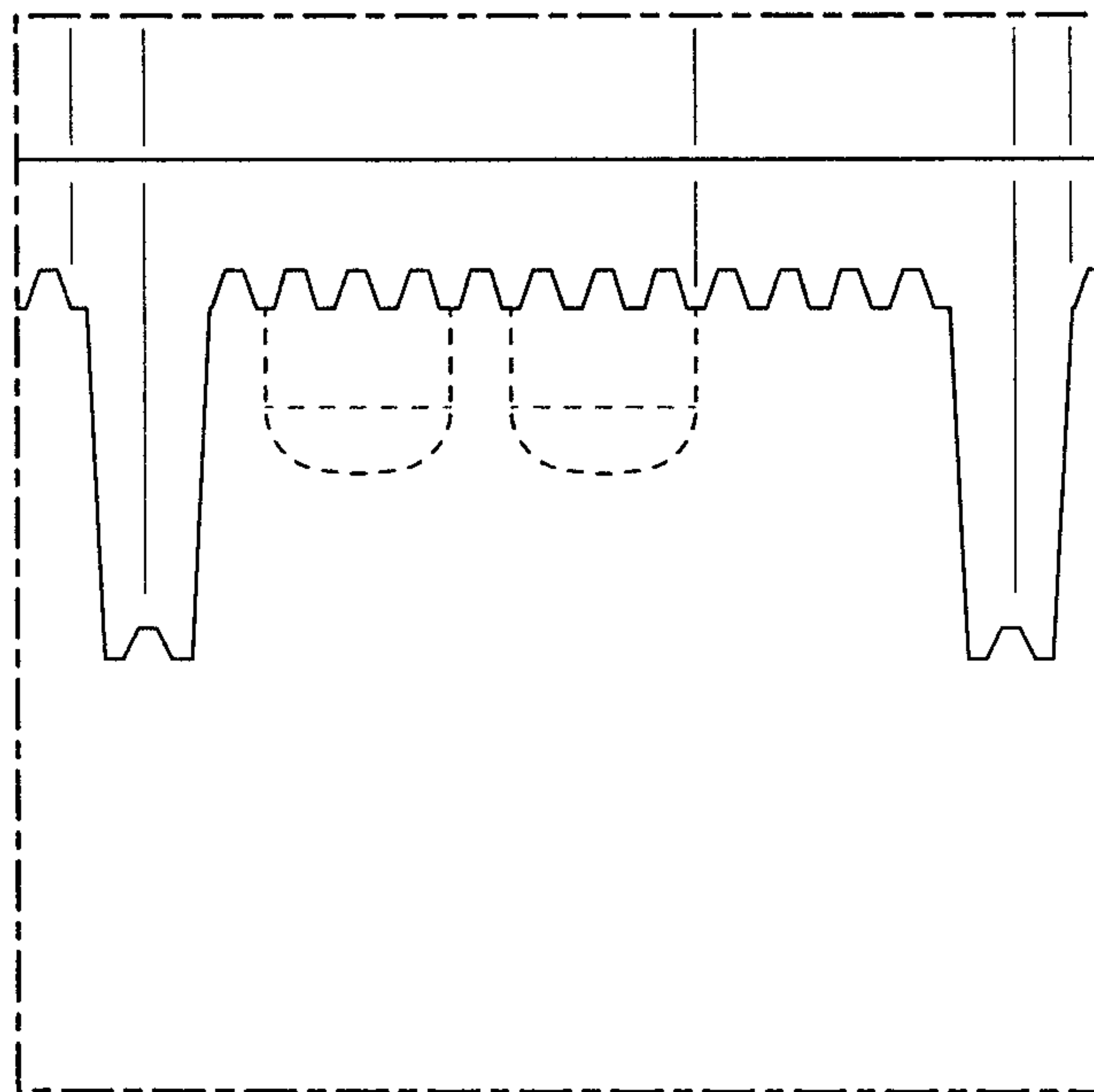


FIG. 9

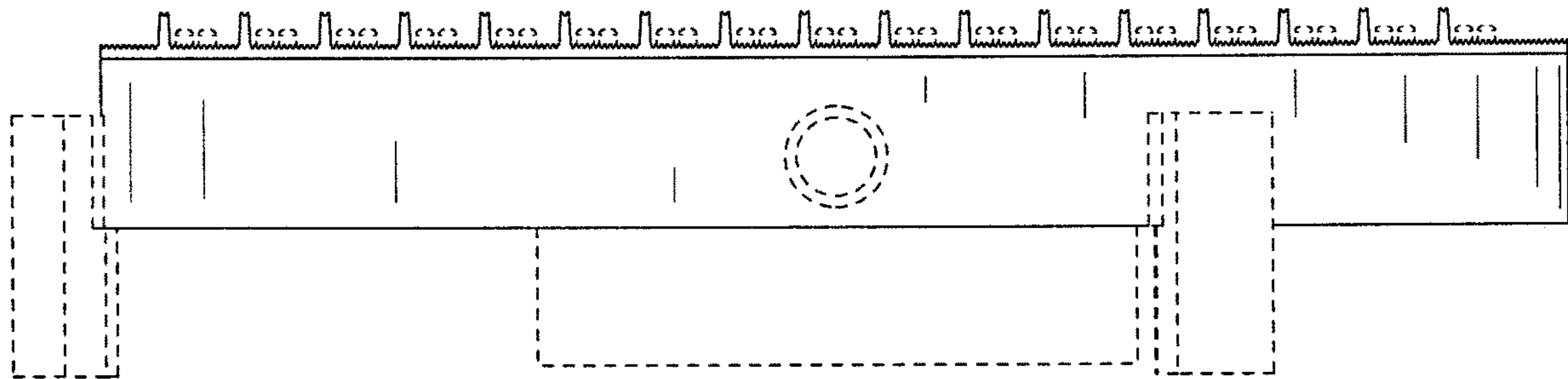


FIG. 10

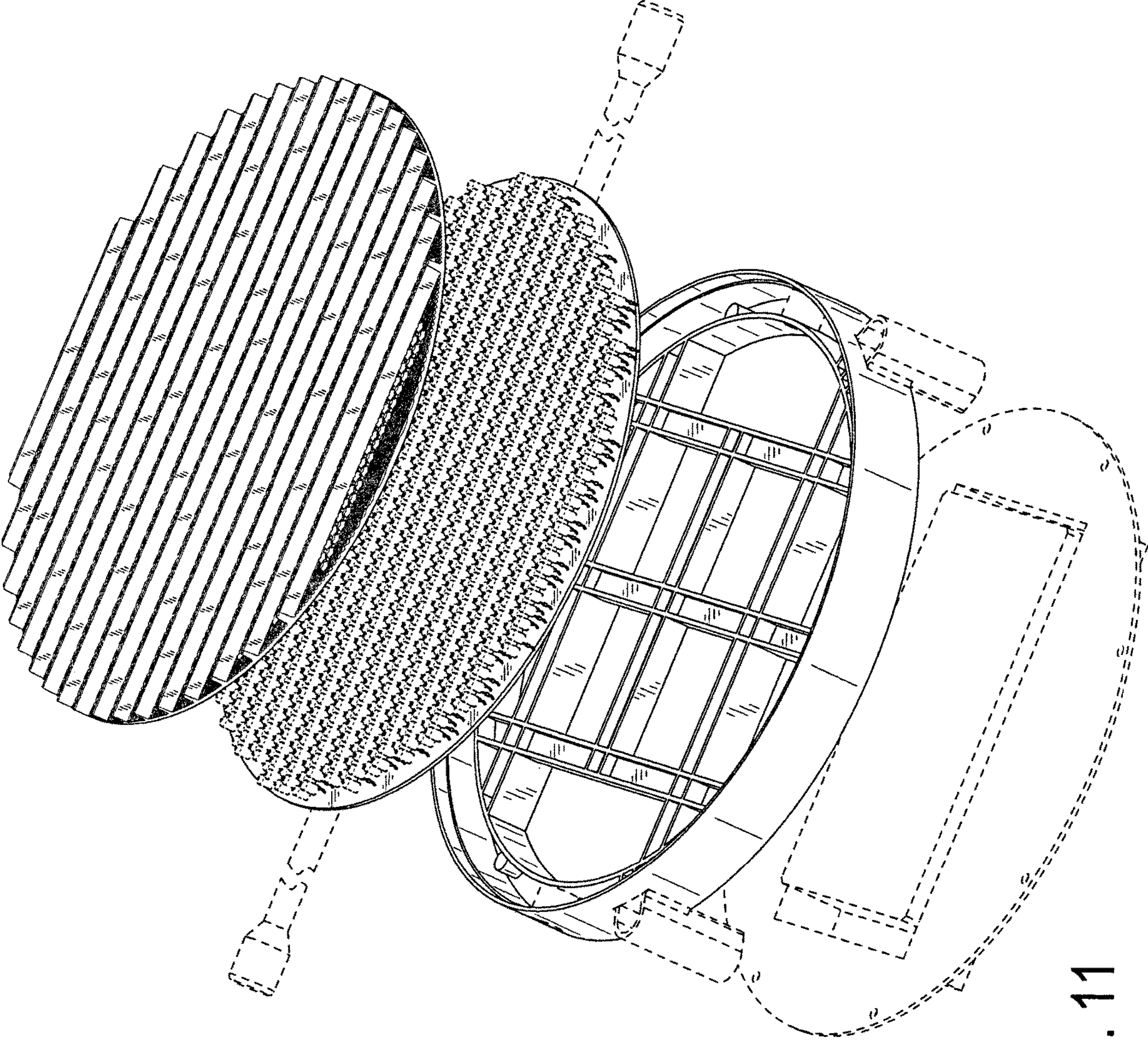


FIG. 11