



US00D985811S

(12) **United States Design Patent**
Polder et al.

(10) **Patent No.:** **US D985,811 S**
(45) **Date of Patent:** **** May 9, 2023**

(54) **REAR COMBINATION LAMP FOR
AUTOMOBILE**

(71) Applicants: **Hyundai Motor Company**, Seoul
(KR); **Kia Corporation**, Seoul (KR)

(72) Inventors: **Joel Vande Polder**, Superior Township,
MI (US); **Senon B. Franco, III**,
Superior Township, MI (US); **Miranda
Simpson**, Superior Township, MI (US)

(73) Assignees: **Hyundai Motor Company**, Seoul
(KR); **Kia Corporation**, Seoul (KR)

(**) Term: **15 Years**

(21) Appl. No.: **29/779,389**

(22) Filed: **Apr. 19, 2021**

(51) **LOC (14) Cl.** **26-06**

(52) **U.S. Cl.**
USPC **D26/28**

(58) **Field of Classification Search**
USPC D26/28, 29, 30, 31, 32, 33, 34, 35, 36
CPC F21W 2103/35; F21W 2103/40; F21W
2102/17; F21W 2102/30; F21W 2103/00;
F21W 2103/55; F21W 2104/00; F21W
2107/17; F21W 2107/13; F21S 41/00;
F21S 41/141; F21S 41/162; F21S 41/18;
F21S 41/20; F21S 41/33; F21S 41/36;
F21S 41/60; F21S 43/00; F21V 21/04
See application file for complete search history.

(56) **References Cited**

U.S. PATENT DOCUMENTS

D771,288 S * 11/2016 Ingenlath D26/28
D774,225 S * 12/2016 Iida D26/28

D776,845 S * 1/2017 Knie D26/28
D778,471 S * 2/2017 Ito D26/28
D804,065 S * 11/2017 Lai D26/28
D851,298 S * 6/2019 Hewitt D26/28
D870,926 S * 12/2019 Lanini D26/28
D871,631 S * 12/2019 Lai D26/28
D891,656 S * 7/2020 Kim D26/28
D894,440 S * 8/2020 Koo D26/28
D895,179 S * 9/2020 Lindloff D26/28
D952,213 S * 5/2022 Shin D26/28
D954,304 S * 6/2022 Minamiyama D26/28

* cited by examiner

Primary Examiner — Angela J Lee

(74) *Attorney, Agent, or Firm* — Fox Rothschild LLP

(57) **CLAIM**

The ornamental design for a rear combination lamp for automobile, as shown and described.

DESCRIPTION

FIG. 1 is a perspective view of a rear combination lamp for automobile according to the present invention.
FIG. 2 is a front view of the rear combination lamp for automobile of FIG. 1.
FIG. 3 is a rear view of the rear combination lamp for automobile of FIG. 1.
FIG. 4 is a left side view of the rear combination lamp for automobile of FIG. 1.
FIG. 5 is a right side view of the rear combination lamp for automobile of FIG. 1.
FIG. 6 is a top view of the rear combination lamp for automobile of FIG. 1; and,
FIG. 7 is a bottom view of the rear combination lamp for automobile of FIG. 1.

1 Claim, 7 Drawing Sheets

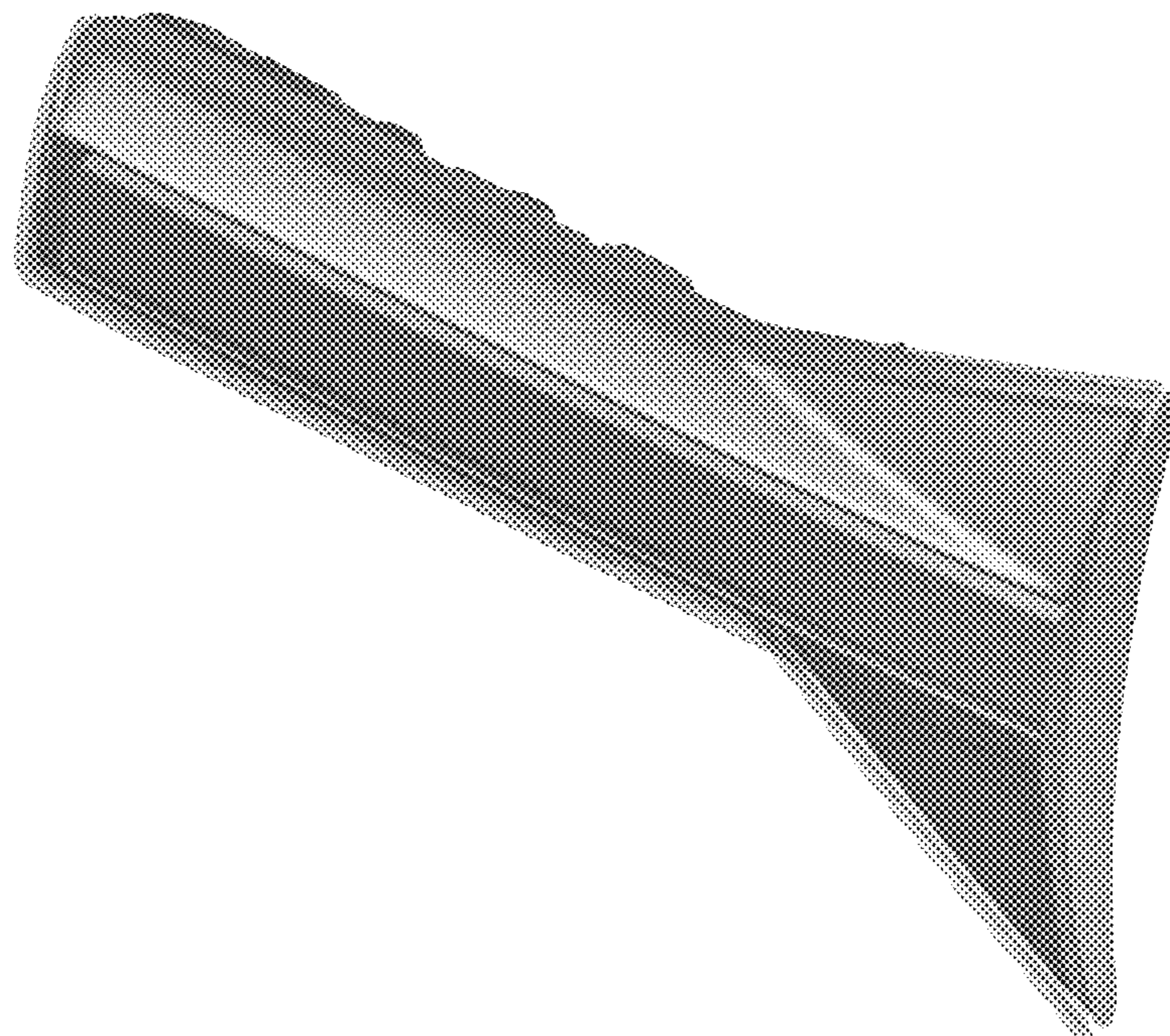


FIG. 1

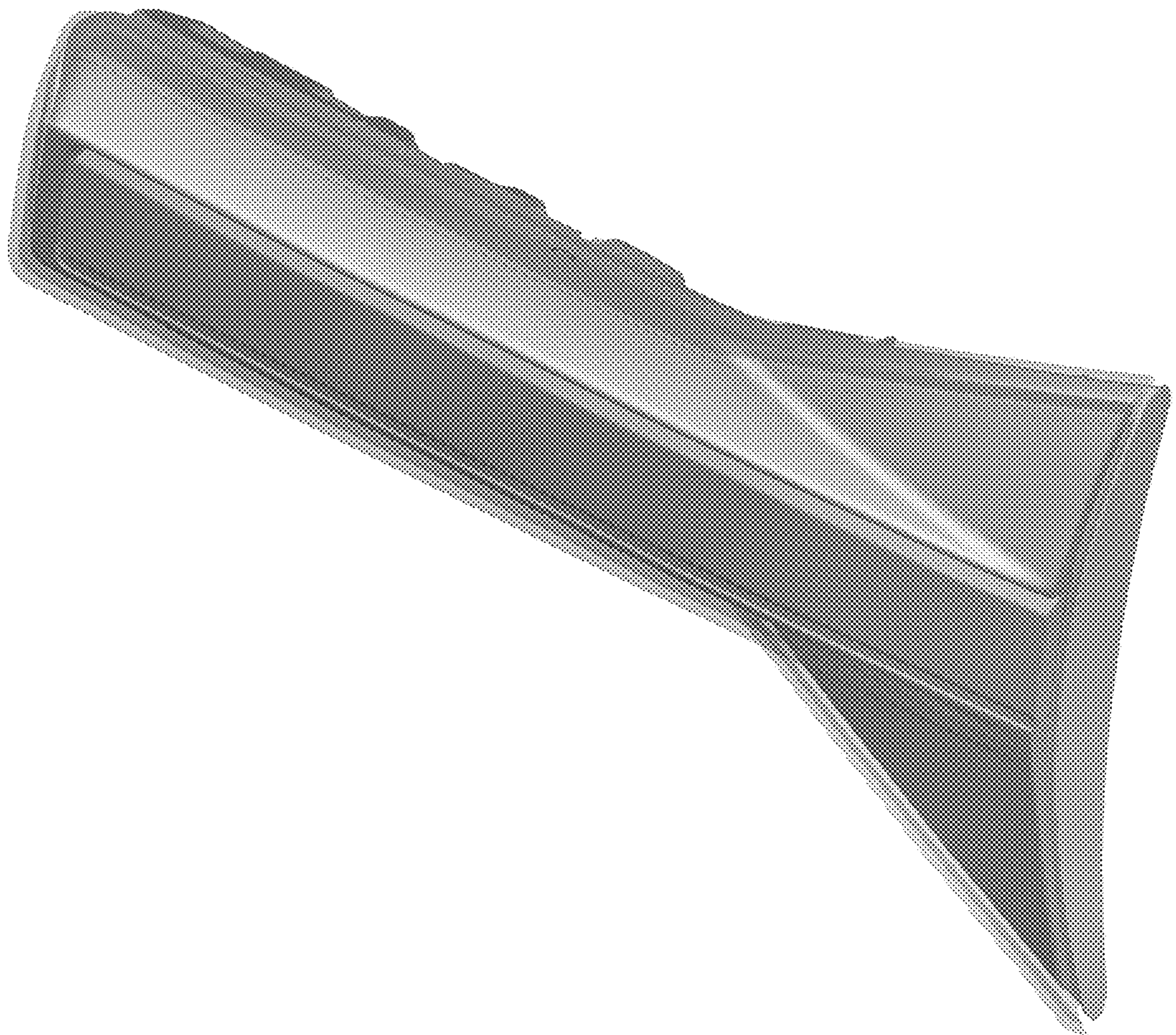


FIG. 2

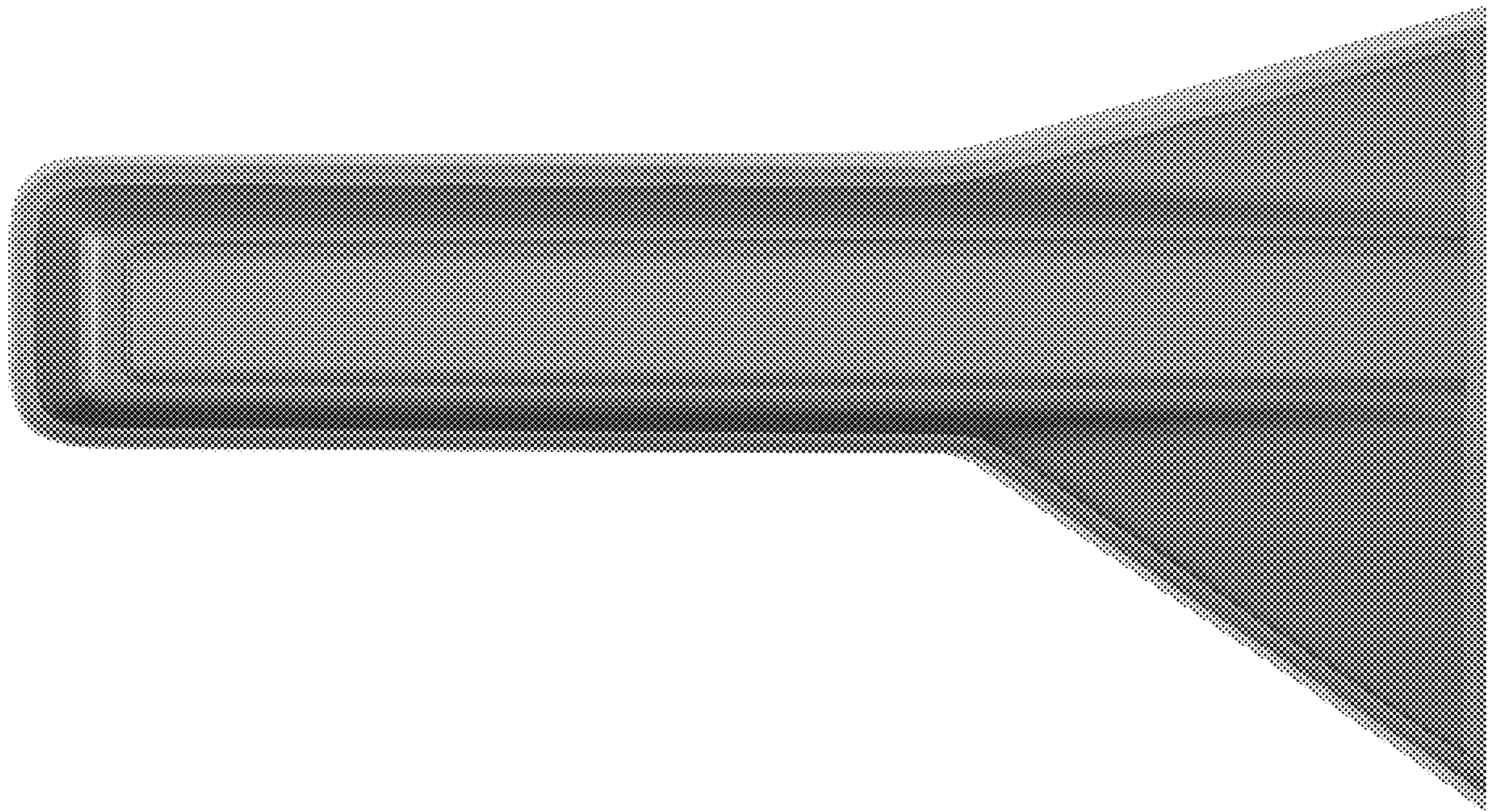


FIG. 3

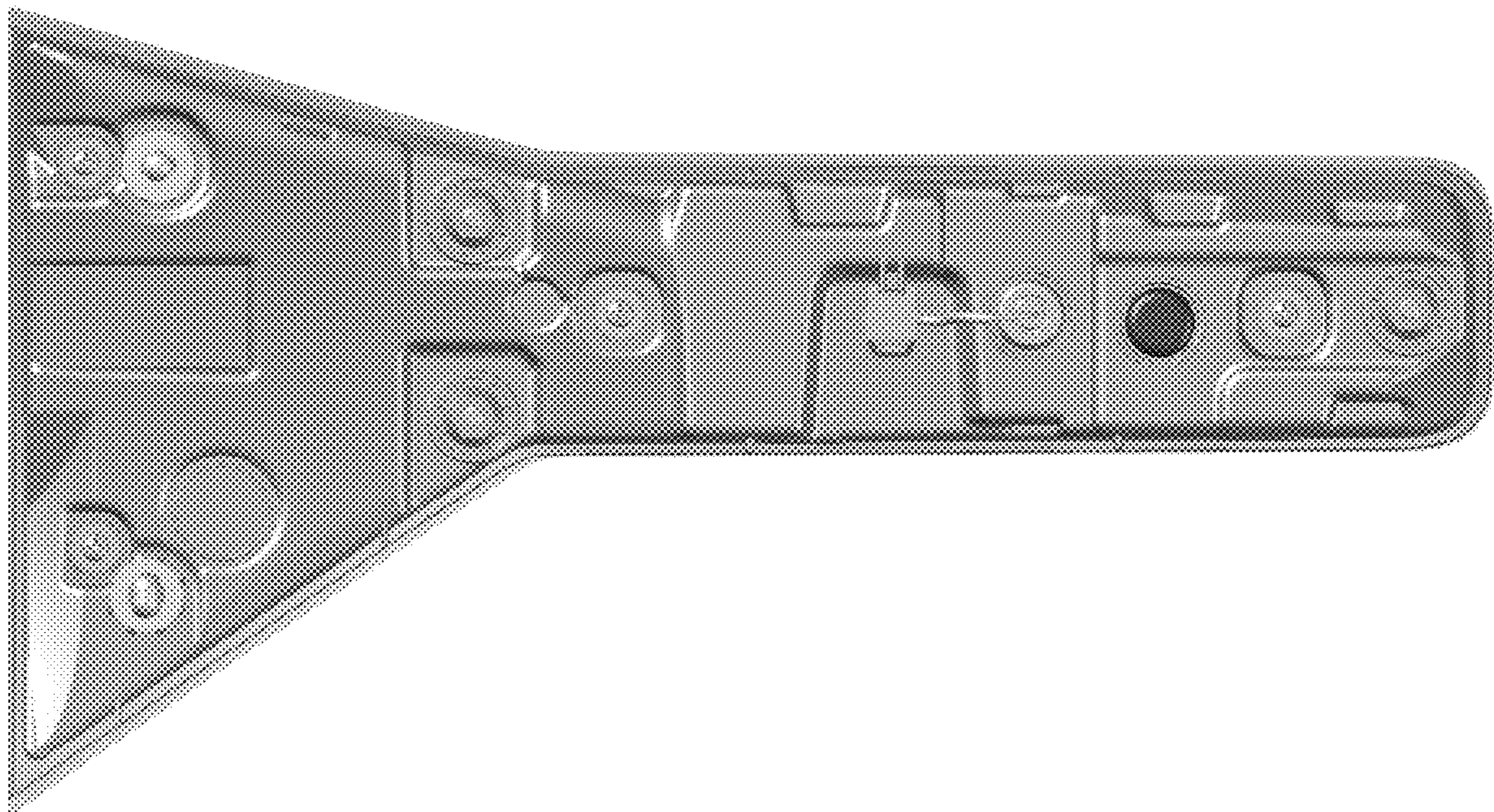


FIG. 4

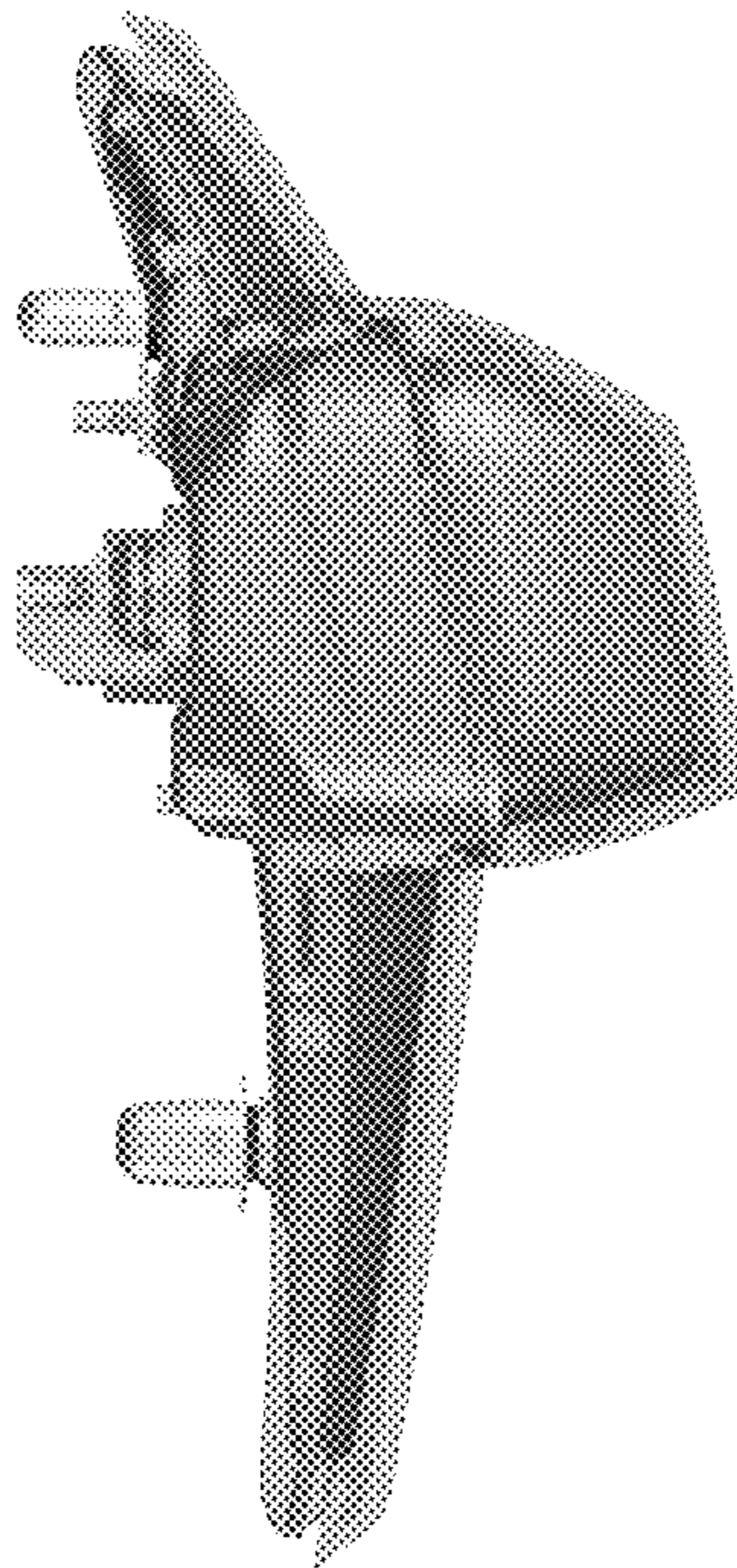


FIG. 5

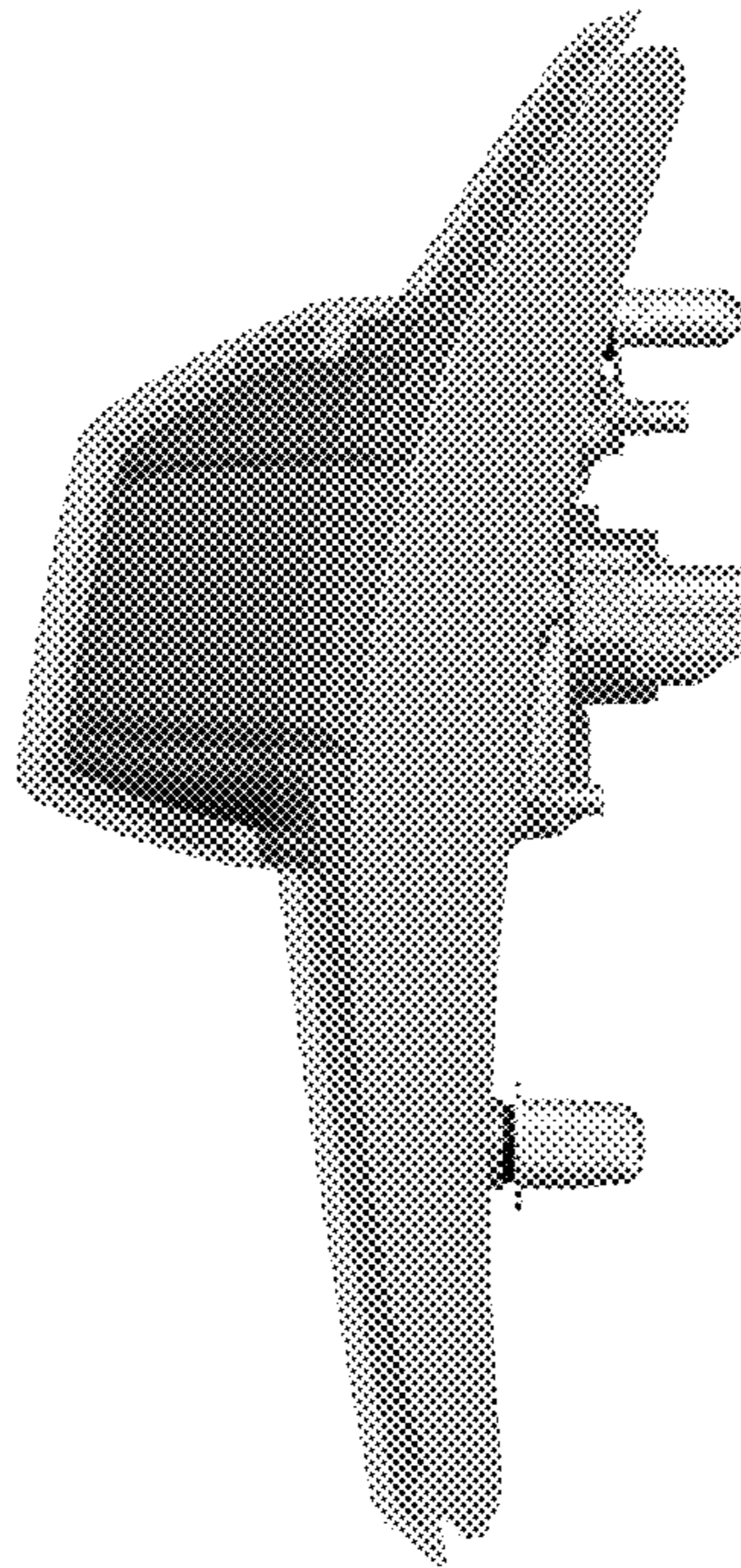


FIG. 6

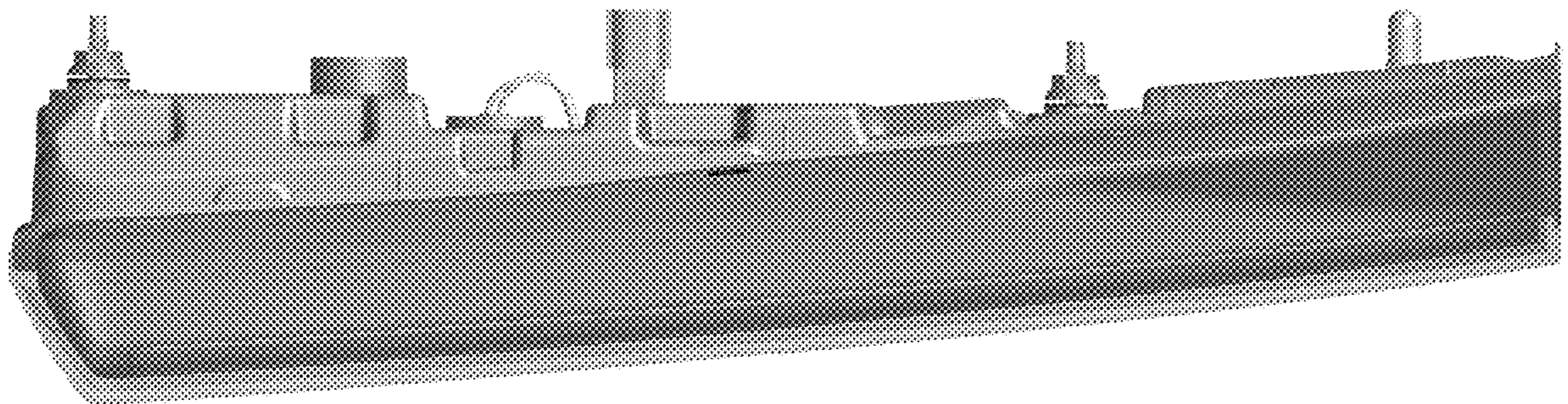


FIG. 7

