



US00D985809S

(12) **United States Design Patent** (10) **Patent No.:** **US D985,809 S**
Anscheidt et al. (45) **Date of Patent:** **** May 9, 2023**

(54) **TAIL LIGHT**

(71) Applicant: **Bugatti International S.A.**,
Luxembourg (LU)

(72) Inventors: **Achim Anscheidt**, Berlin (DE); **Ahmet Dagguen**, Wolfsburg (DE); **Frank Heyl**, Calberlah (DE); **Nils Sajonz**, Wolfsburg (DE)

(73) Assignee: **Bugatti International S.A.**,
Luxembourg (LU)

(**) Term: **15 Years**

(21) Appl. No.: **29/776,881**

(22) Filed: **Apr. 1, 2021**

(30) **Foreign Application Priority Data**

Oct. 2, 2020 (EM) 008190623

(51) **LOC (14) Cl.** **26-06**

(52) **U.S. Cl.**
USPC **D26/28**

(58) **Field of Classification Search**
USPC D26/28, 29, 30, 31, 32, 33, 34, 35, 36,
D26/139
CPC F21W 2103/35; F21W 2103/40; F21W
2102/17; F21W 2102/30; F21W 2103/00;
F21W 2103/55; F21W 2104/00; F21W
2107/17; F21W 2107/13; F21S 41/00;
F21S 41/141; F21S 41/162; F21S 41/18;
F21S 41/20; F21S 41/33; F21S 41/36;
F21S 41/60; F21S 43/00

See application file for complete search history.

(56) **References Cited**

U.S. PATENT DOCUMENTS

D296,937 S * 7/1988 Inada D26/28
D745,718 S * 12/2015 Deyaf D26/28

D751,738 S * 3/2016 Rekow D26/28
D776,845 S * 1/2017 Knie D26/28
D782,087 S * 3/2017 Youn D26/28
D855,843 S * 8/2019 Von Holzhausen D26/28
D870,926 S * 12/2019 Lanini D26/28
D870,931 S * 12/2019 Woodhouse D26/28
D871,631 S * 12/2019 Lai D26/28
D890,387 S * 7/2020 Kim D26/28
D918,444 S * 5/2021 Yu D26/28
D921,244 S * 6/2021 Jung D26/28

(Continued)

Primary Examiner — Angela J Lee

(74) *Attorney, Agent, or Firm* — Blank Rome LLP

(57) **CLAIM**

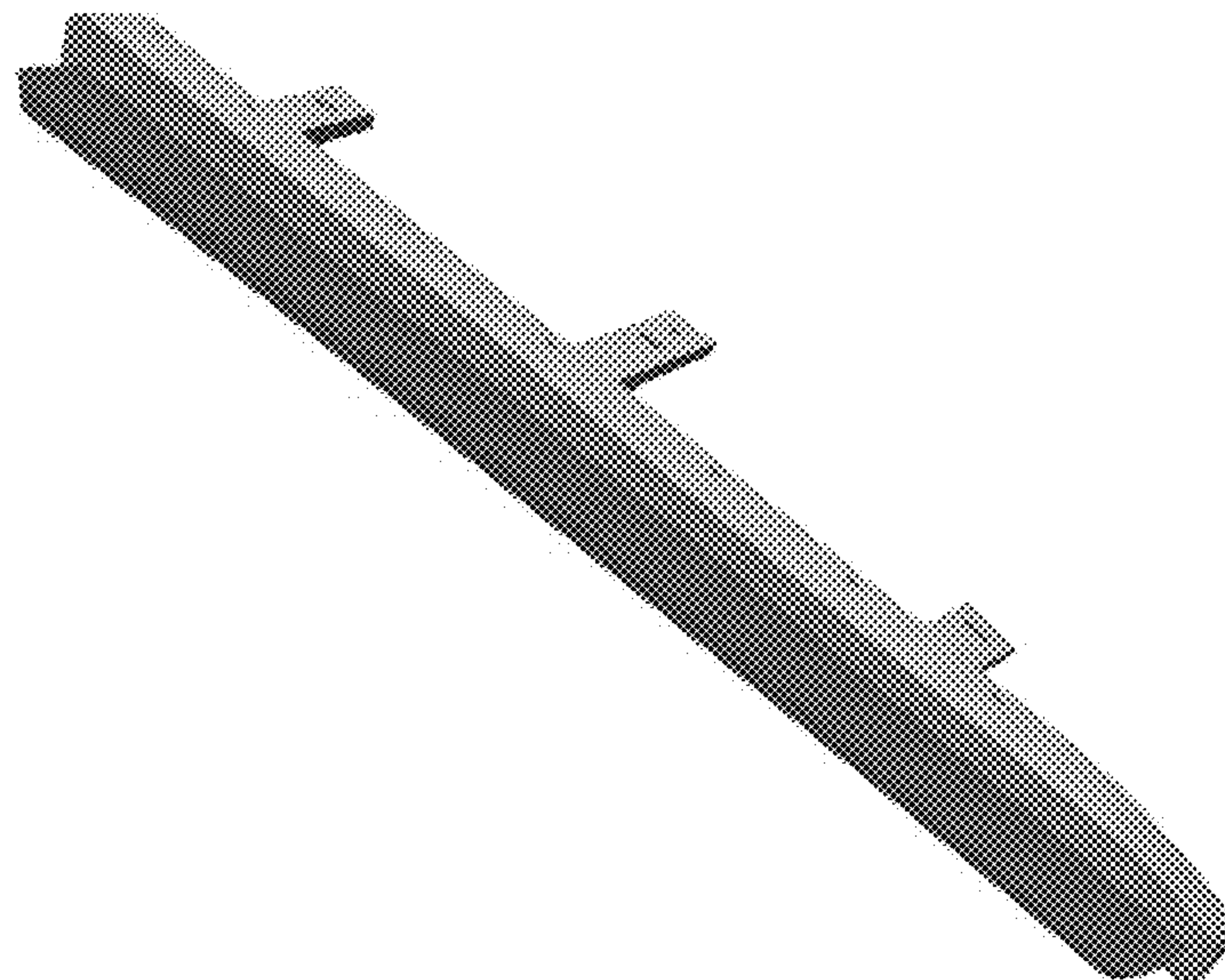
The ornamental design for a tail light, as shown and described.

DESCRIPTION

The file of this patent contains a least one drawing/photograph executed in color. Copies of this patent with color drawing(s) will be provided by the Office upon request and payment of the necessary fee.

FIG. 1 is a front view of a tail light of our present design;
FIG. 2 is a rear view thereof;
FIG. 3 is a right front perspective view thereof;
FIG. 4 is a left rear perspective view thereof;
FIG. 5 is a top view thereof;
FIG. 6 is a bottom view thereof;
FIG. 7 is a top right perspective view thereof;
FIG. 8 is a front view of a second embodiment of a tail light of our present design;
FIG. 9 is a rear view thereof;
FIG. 10 is a left front perspective view thereof;
FIG. 11 is a right rear perspective view thereof;
FIG. 12 is a top view view thereof;
FIG. 13 is a bottom view thereof; and,
FIG. 14 is a top left perspective view thereof.

1 Claim, 14 Drawing Sheets
(14 of 14 Drawing Sheet(s) Filed in Color)



(56)

References Cited

U.S. PATENT DOCUMENTS

D952,917 S *	5/2022	Ha	D26/28
D954,311 S *	6/2022	Langhals	D26/28
D958,419 S *	7/2022	Caussimon	D26/28
D961,820 S *	8/2022	Qin	D26/28
D963,521 S *	9/2022	Anscheidt	D12/92

* cited by examiner

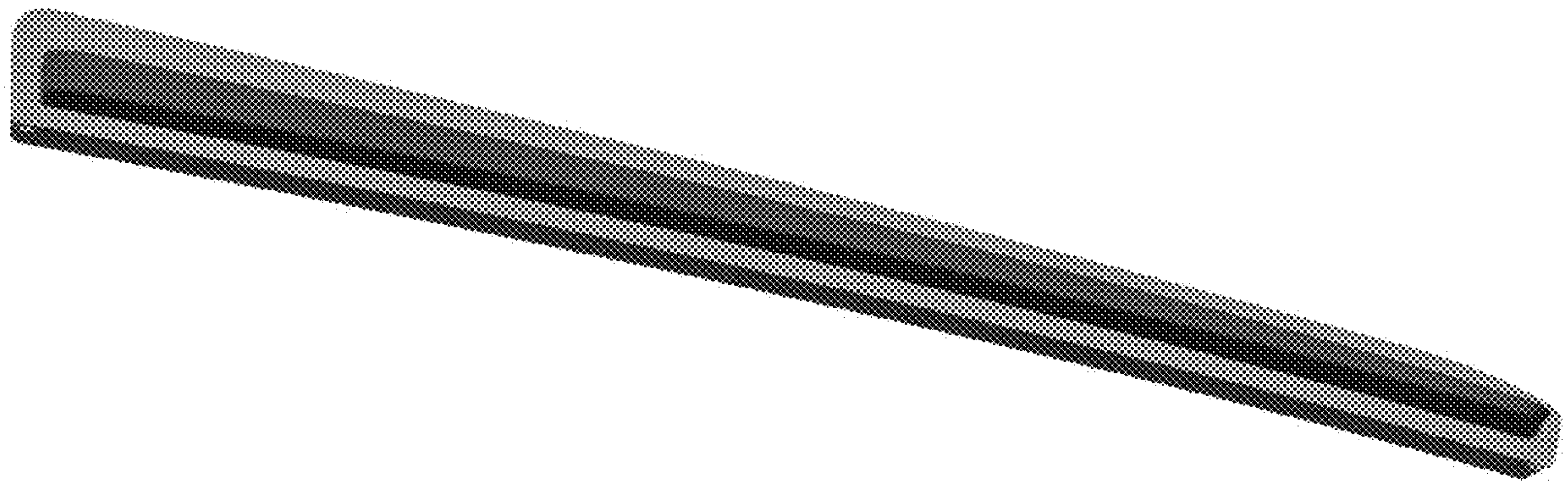


FIG. 1

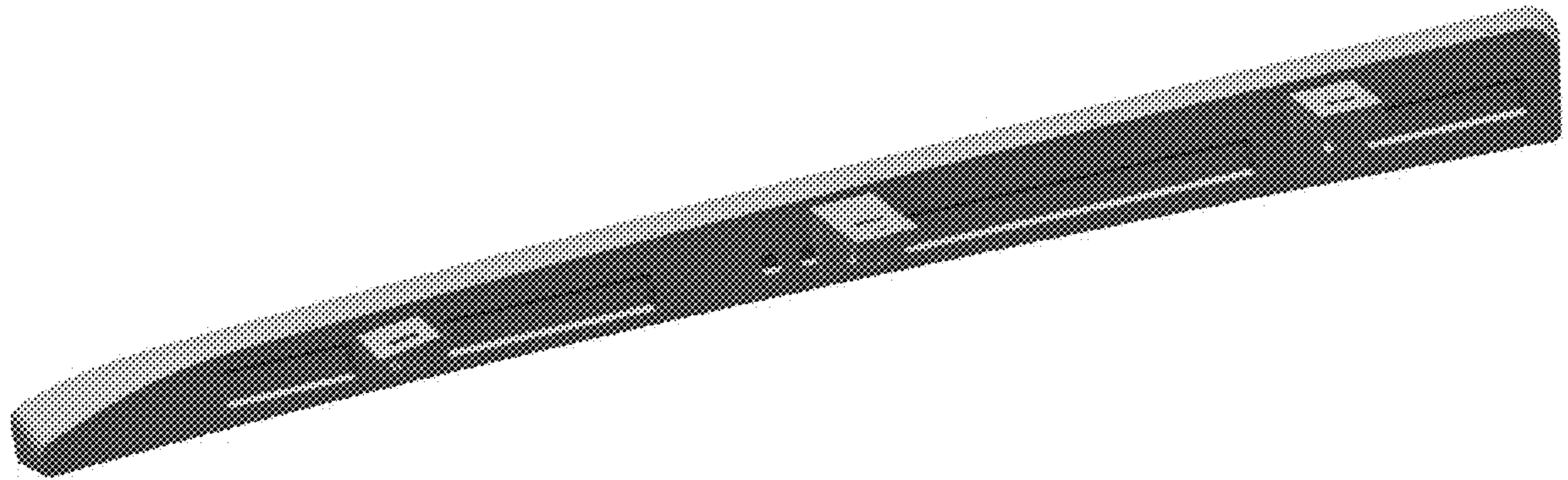


FIG. 2

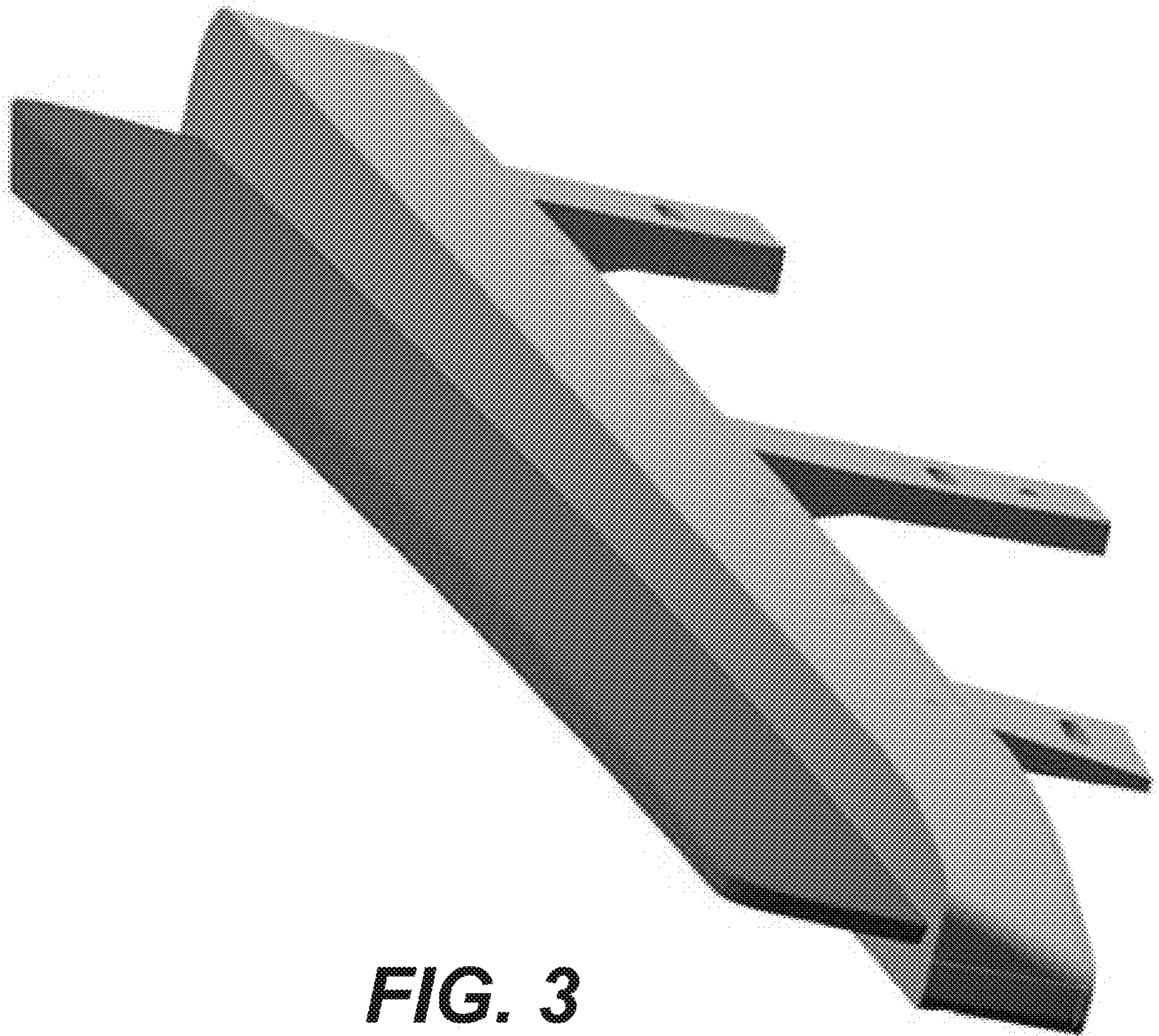


FIG. 3

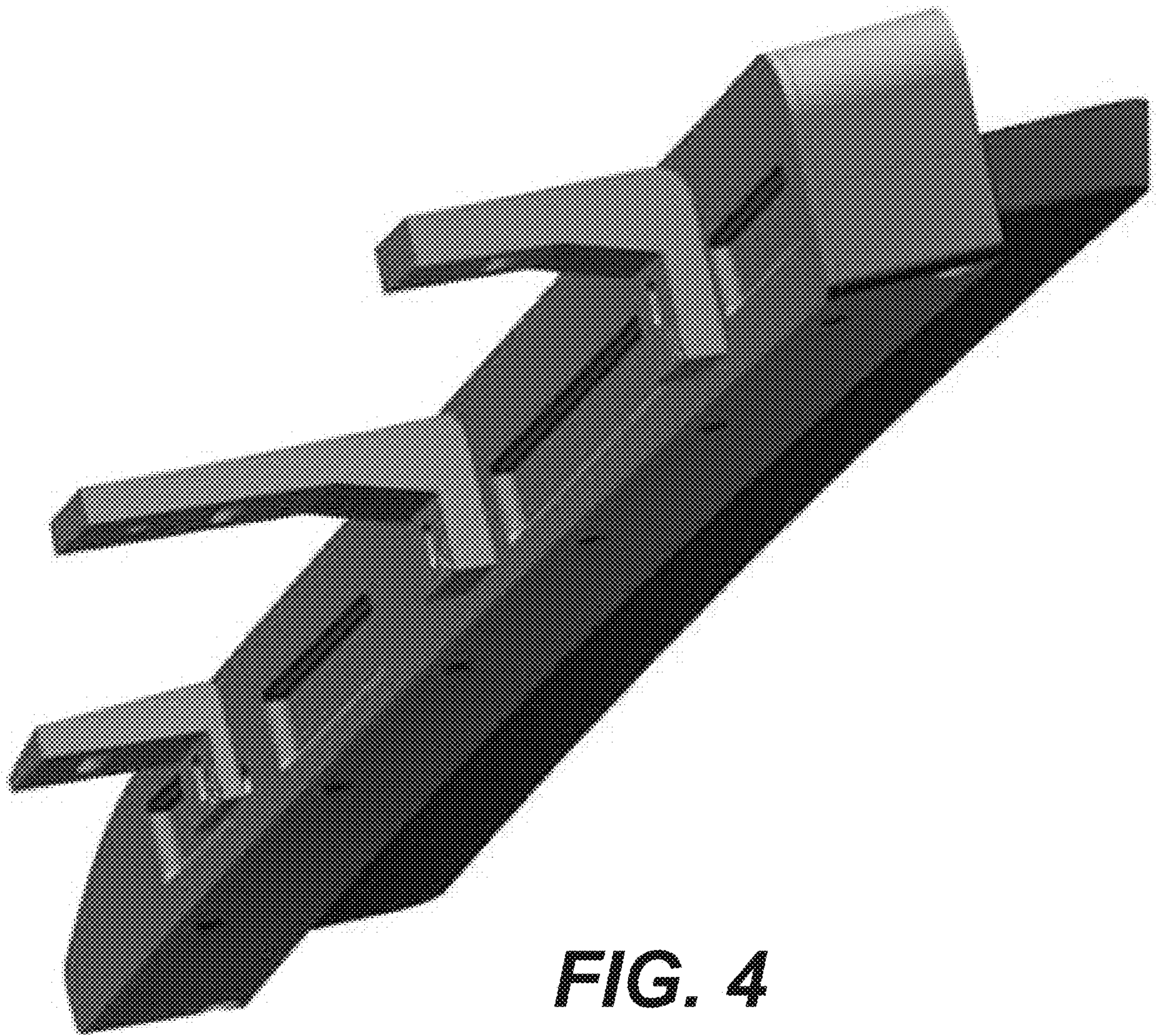


FIG. 4

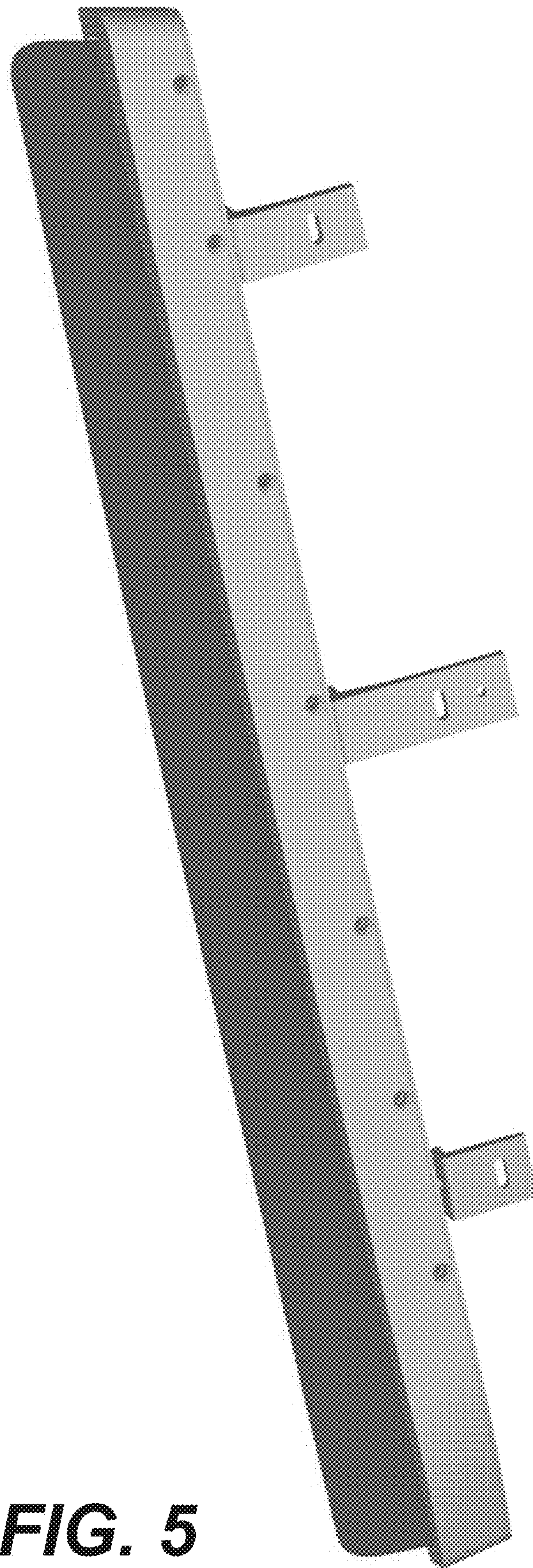


FIG. 5

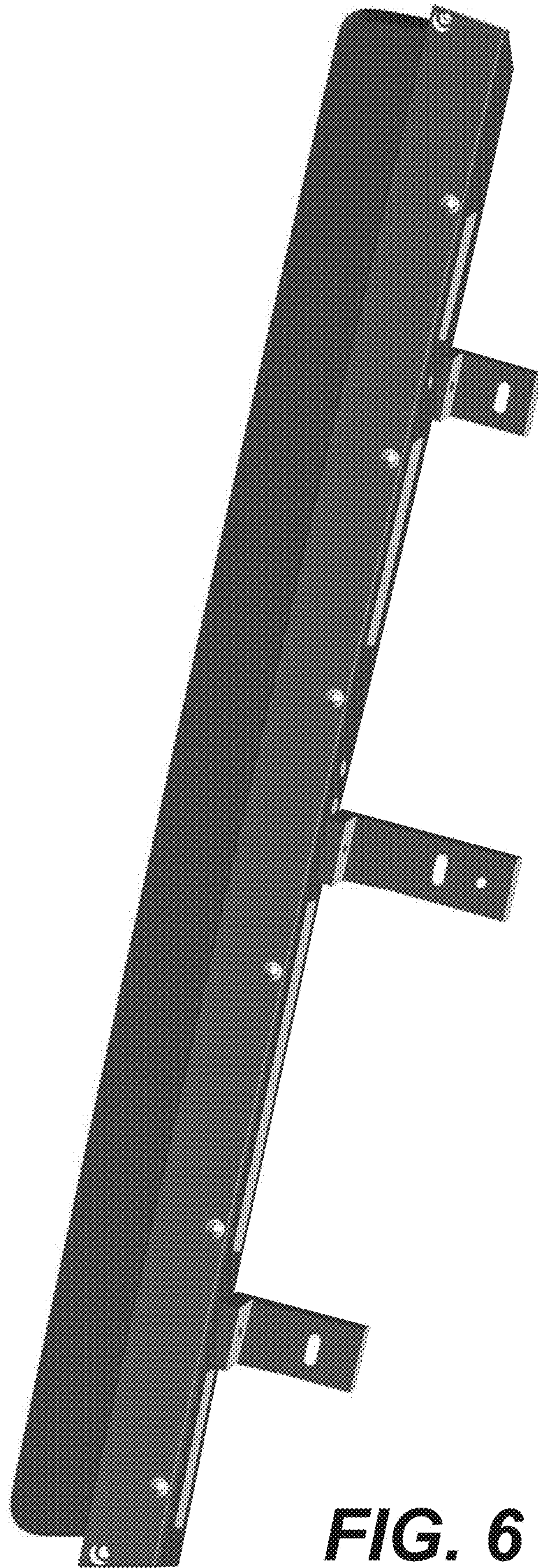


FIG. 6

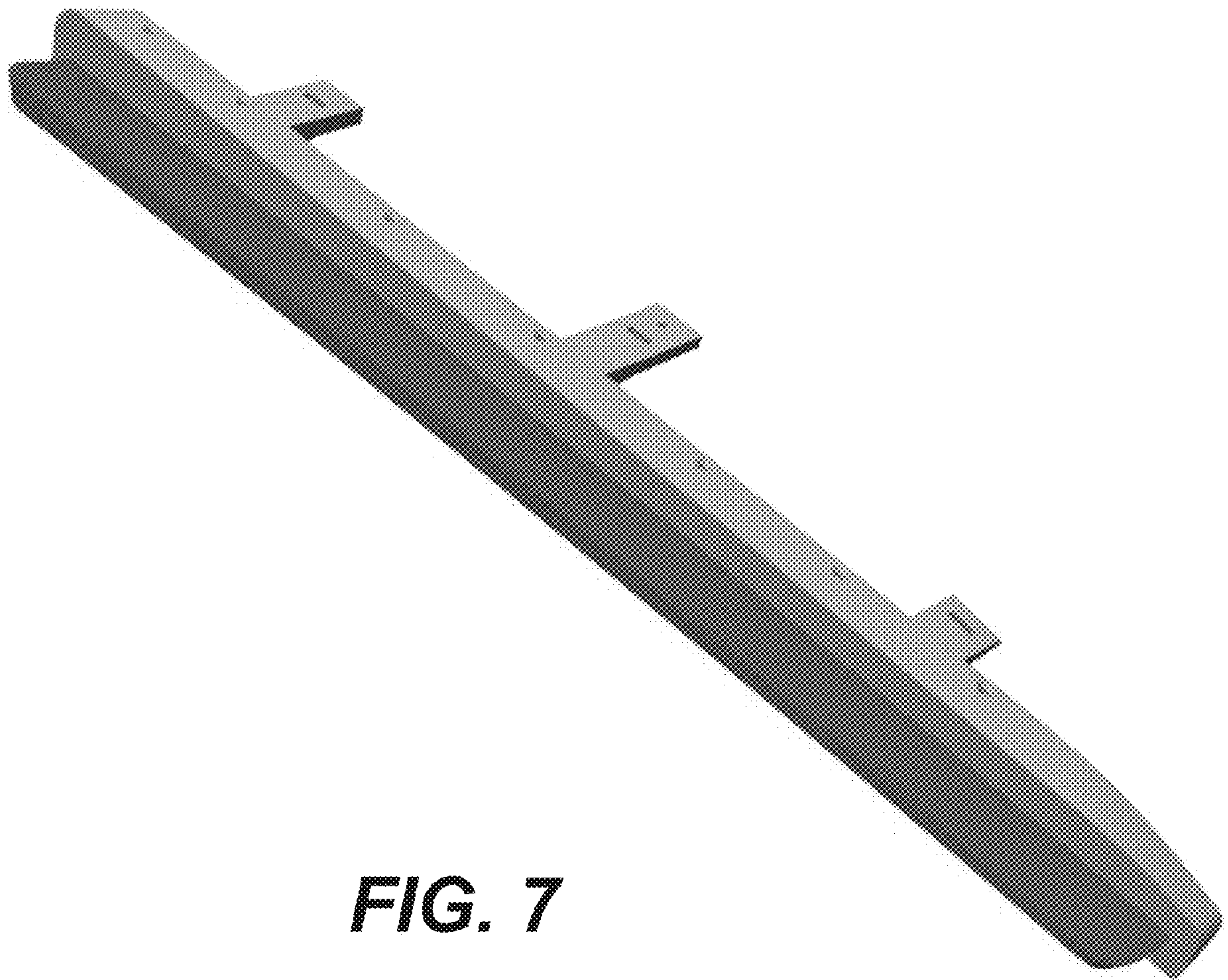


FIG. 7

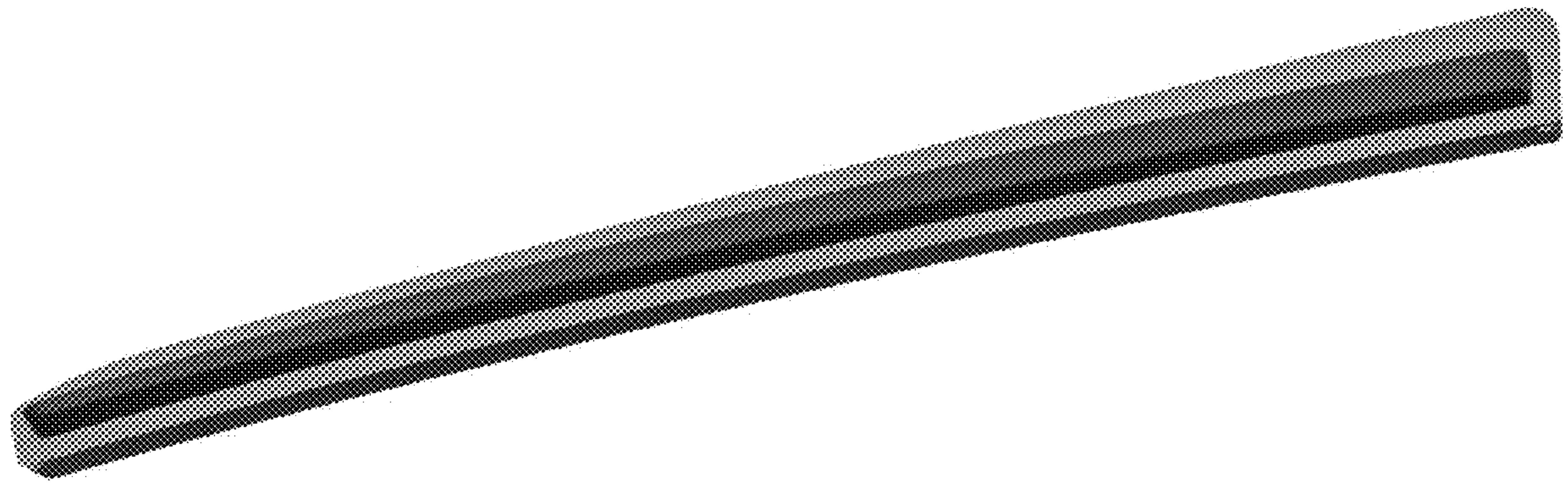


FIG. 8

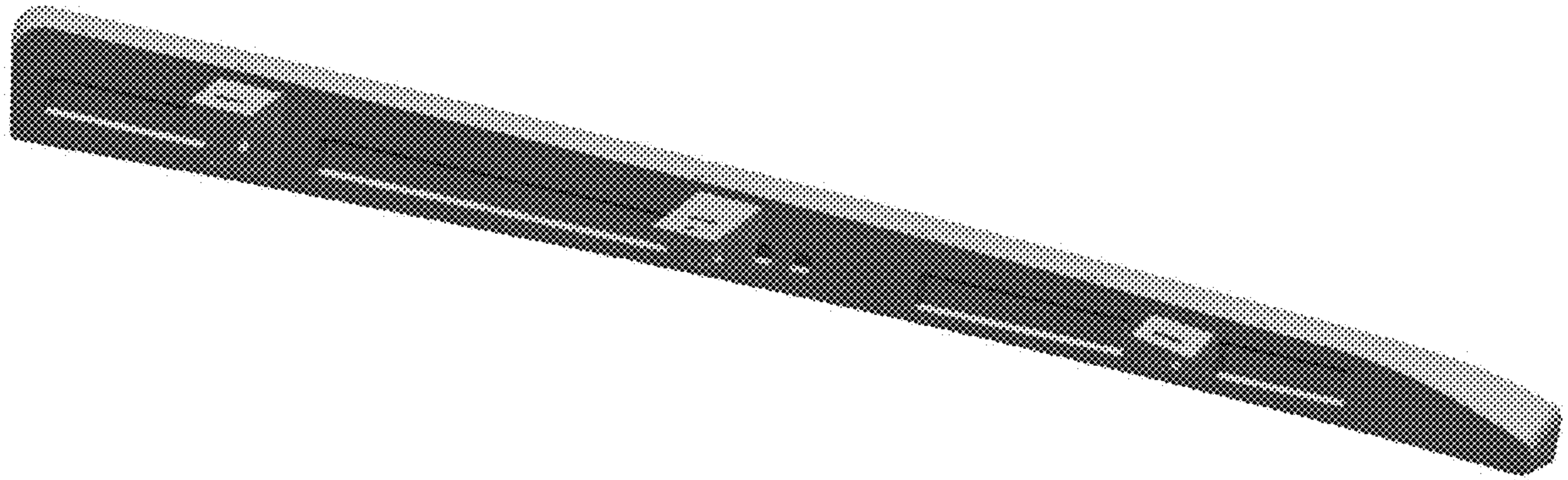


FIG. 9

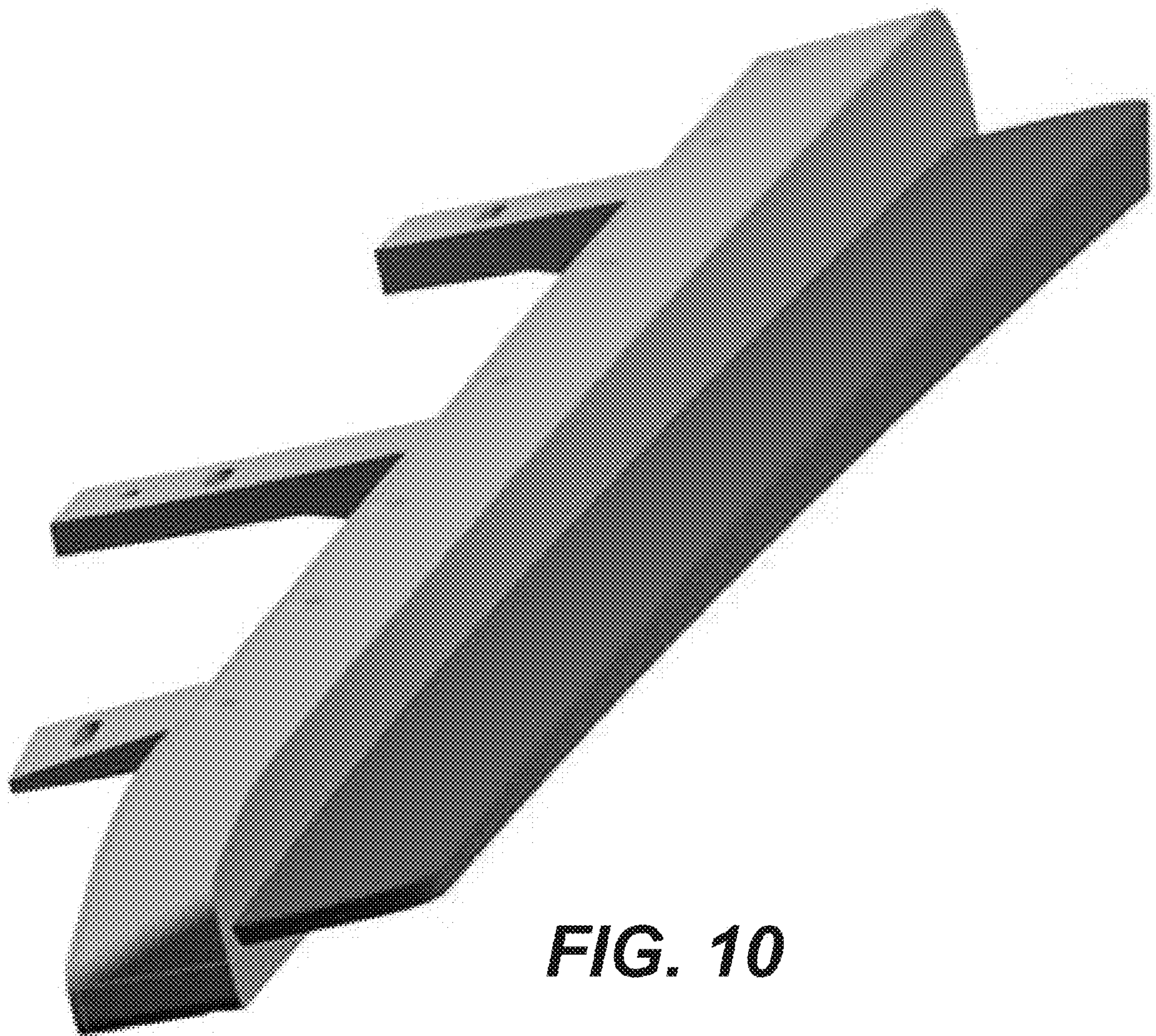


FIG. 10

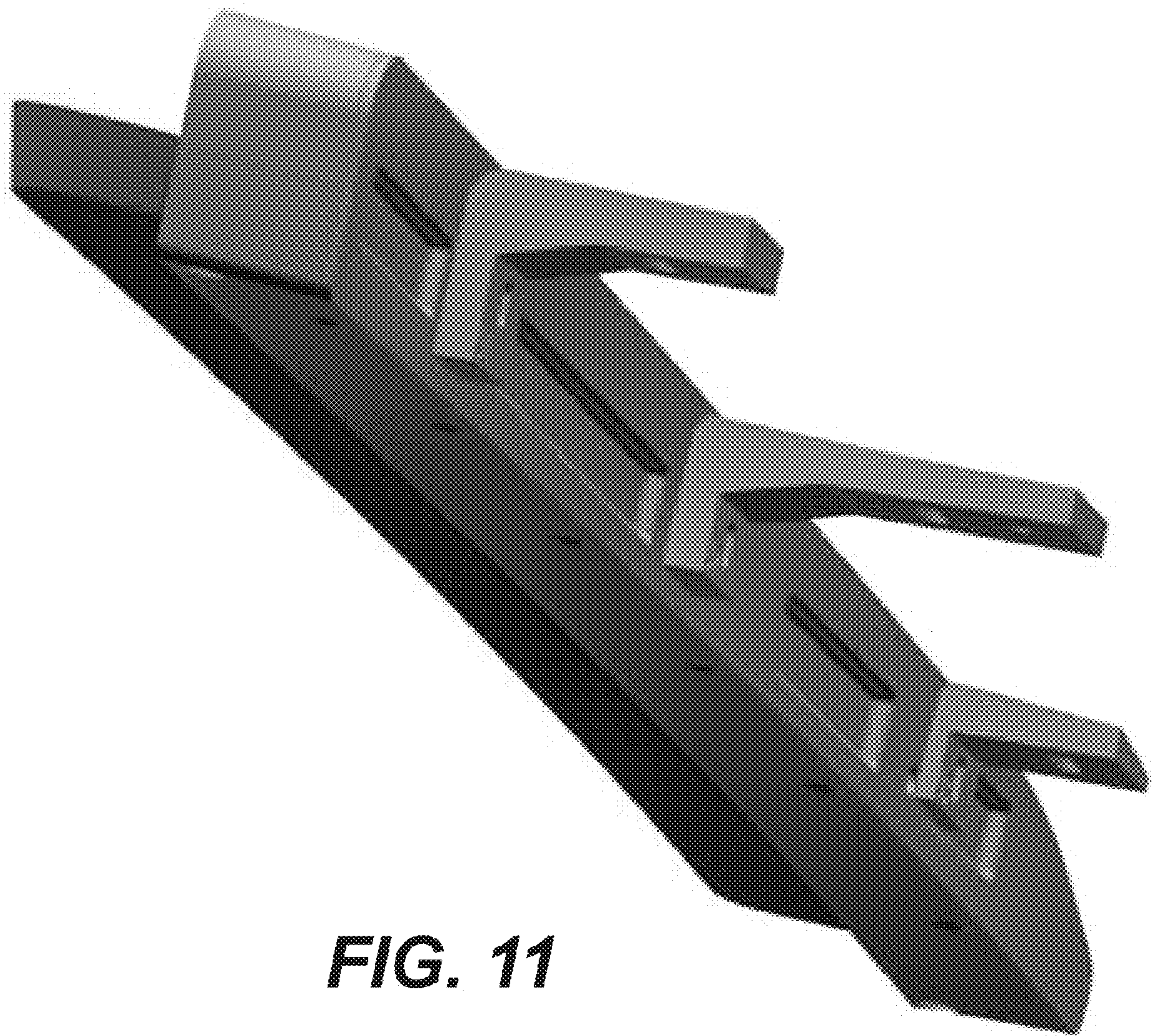


FIG. 11

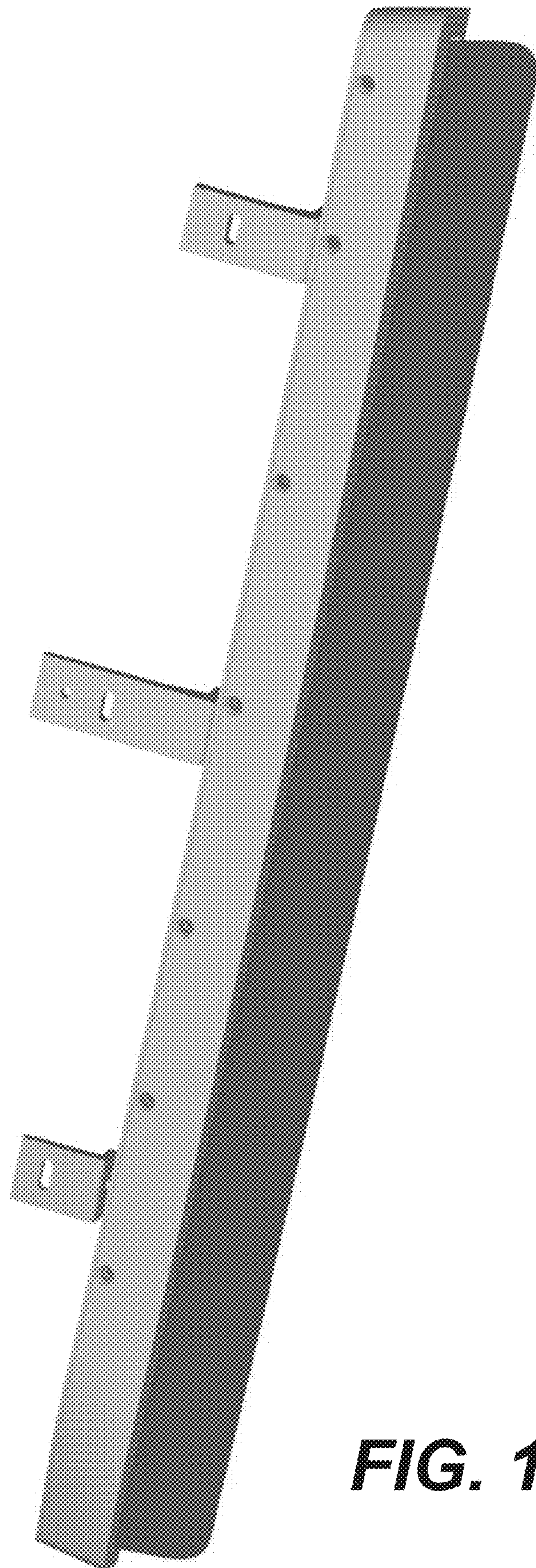


FIG. 12

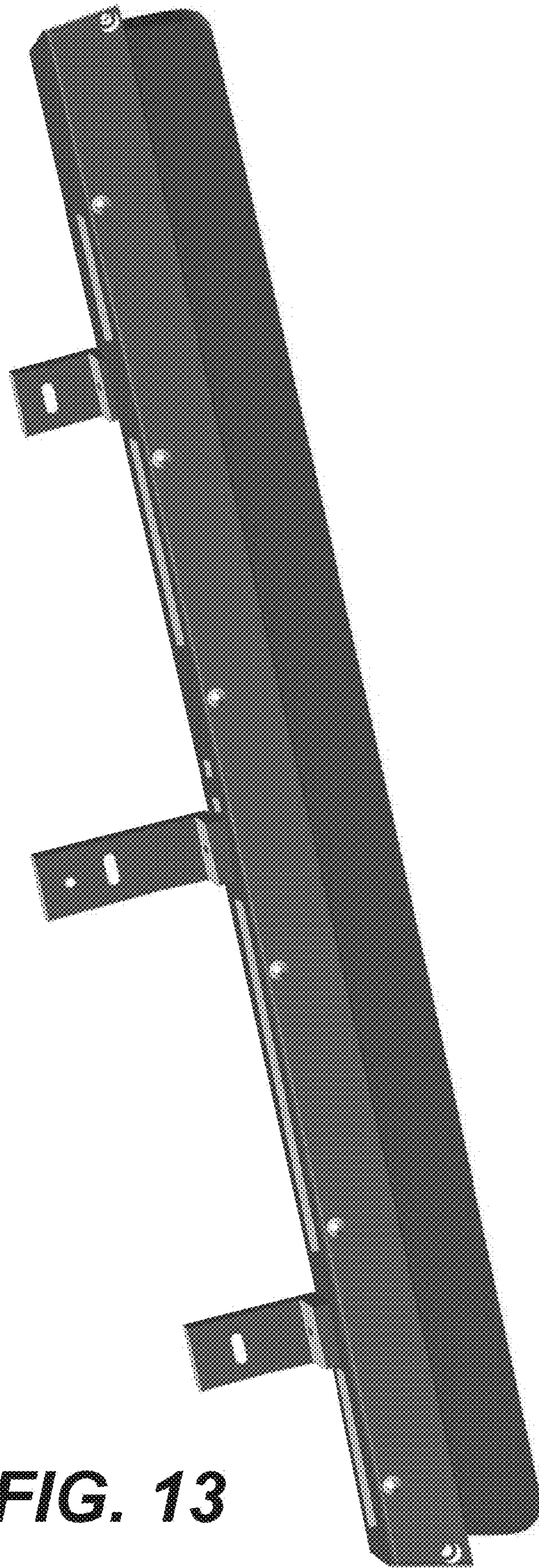


FIG. 13

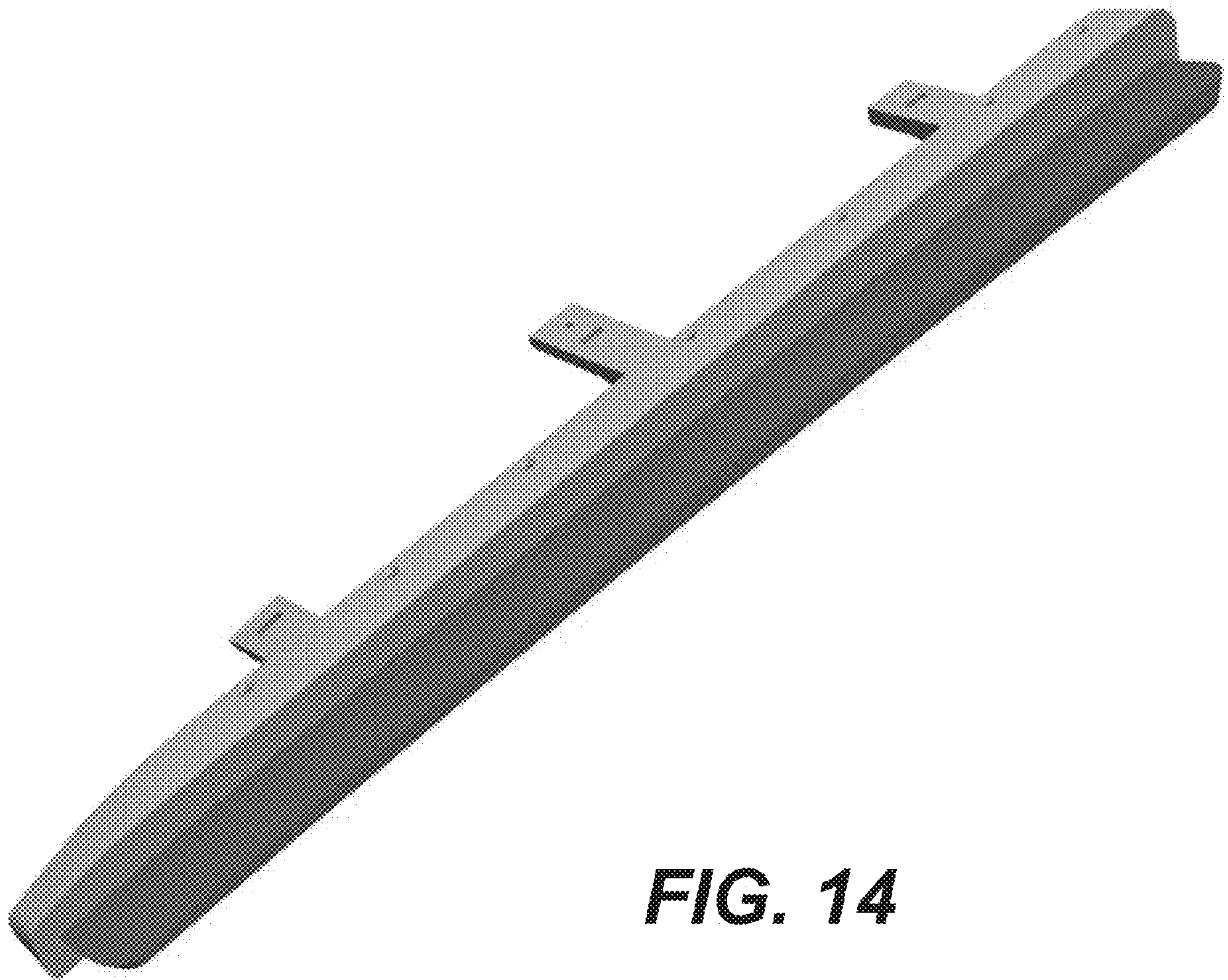


FIG. 14