



US00D985807S

(12) **United States Design Patent**
Neal

(10) **Patent No.:** **US D985,807 S**

(45) **Date of Patent:** **** May 9, 2023**

(54) **EMERGENCY VEHICLE LIGHT ASSEMBLY**

(71) Applicant: **Sean Neal**, Shelby Township, MI (US)

(72) Inventor: **Sean Neal**, Shelby Township, MI (US)

(**) Term: **15 Years**

(21) Appl. No.: **29/750,166**

(22) Filed: **Sep. 11, 2020**

Related U.S. Application Data

(63) Continuation-in-part of application No. 15/450,464, filed on Mar. 6, 2017, now Pat. No. 10,793,054.

(51) **LOC (14) Cl.** **26-06**

(52) **U.S. Cl.**
USPC **D26/28**

(58) **Field of Classification Search**
USPC D26/28, 29, 30, 31, 32, 33, 34, 35, 36, D26/139; D10/114.3, 114.4, 114.5
CPC F21W 2103/35; F21W 2103/40; F21W 2102/17; F21W 2102/30; F21W 2103/00; F21W 2103/55; F21W 2104/00; F21W 2107/17; F21W 2107/13; F21S 41/00; F21S 41/141; F21S 41/162; F21S 41/18; F21S 41/20; F21S 41/33; F21S 41/36; F21S 41/60; F21S 43/00; F21S 10/06; B60Q 1/2611; B60Q 1/52
See application file for complete search history.

(56) **References Cited**

U.S. PATENT DOCUMENTS

D254,603 S * 4/1980 Gossweiler D10/109.2
6,420,704 B1 7/2002 Berenz et al.
D491,493 S * 6/2004 Stahel D12/114
6,986,597 B2 1/2006 Elwell
D534,669 S * 1/2007 Saward D10/114.3
D587,826 S * 3/2009 Fontaine D26/28
D640,947 S * 7/2011 Martin D10/114.3
D647,650 S * 10/2011 Itaya D26/28

D652,553 S * 1/2012 Vardis D26/28
8,183,991 B2 5/2012 Yagi et al.
8,700,258 B2 4/2014 Tate, Jr. et al.
D709,227 S * 7/2014 Huang D26/31
D711,025 S * 8/2014 Gueler D26/28
D711,563 S * 8/2014 Dickman D26/28
D712,075 S * 8/2014 Pavani D26/28
D757,316 S * 5/2016 Wymore D26/31
D767,802 S * 9/2016 Maeda D26/28
D776,845 S * 1/2017 Knie D26/28
D791,375 S * 7/2017 Lichte D26/28

(Continued)

Primary Examiner — Angela J Lee

(74) *Attorney, Agent, or Firm* — Boudwin Intellectual Property; Daniel Boudwin

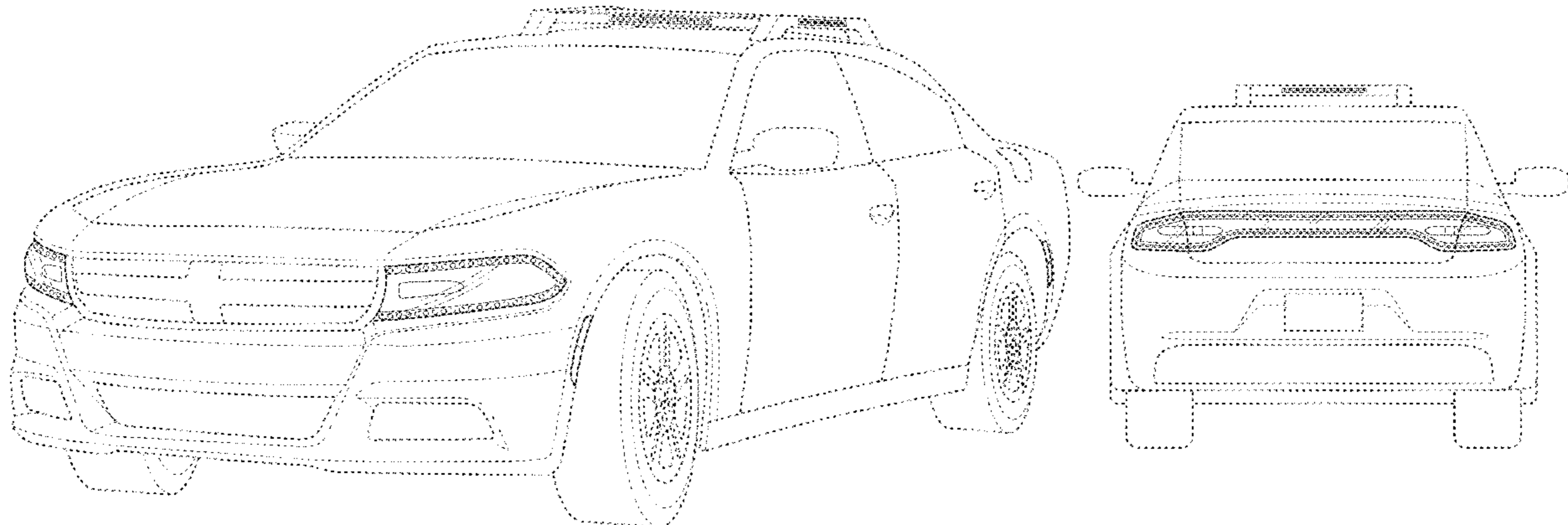
(57) **CLAIM**

The ornamental design for an emergency vehicle light assembly, as shown and described.

DESCRIPTION

FIG. 1 shows a perspective view of the emergency vehicle light assembly.
FIG. 2 shows a front elevation view of the emergency vehicle light assembly.
FIG. 3 shows a rear elevation view of the emergency vehicle light assembly.
FIG. 4 shows a right side elevation view of the emergency vehicle light assembly.
FIG. 5 shows a left side elevation view of the emergency vehicle light assembly.
FIG. 6 shows a top plan view of the emergency vehicle light assembly; and,
FIG. 7 shows a bottom plan view of the emergency vehicle light assembly.
The broken lines shown in the Figures form no part of the claimed design.
The shade lines in the Figures show contour and not surface ornamentation.

1 Claim, 7 Drawing Sheets



(56)

References Cited

U.S. PATENT DOCUMENTS

D801,558 S * 10/2017 Segui D26/28
D806,917 S * 1/2018 Hoffman D26/28
D815,765 S * 4/2018 Jacobsthal D26/28
9,956,903 B2 5/2018 Gondhi et al.
D819,852 S * 6/2018 Hoffman D26/28
D869,016 S * 12/2019 Hirai D26/28
10,793,054 B2 * 10/2020 Neal B60Q 1/24
2006/0171704 A1 8/2006 Bingle et al.
2009/0072996 A1 3/2009 Schoepp
2011/0175719 A1 7/2011 Ford
2013/0107046 A1 5/2013 Forgue
2015/0138819 A1 5/2015 Salter et al.

* cited by examiner

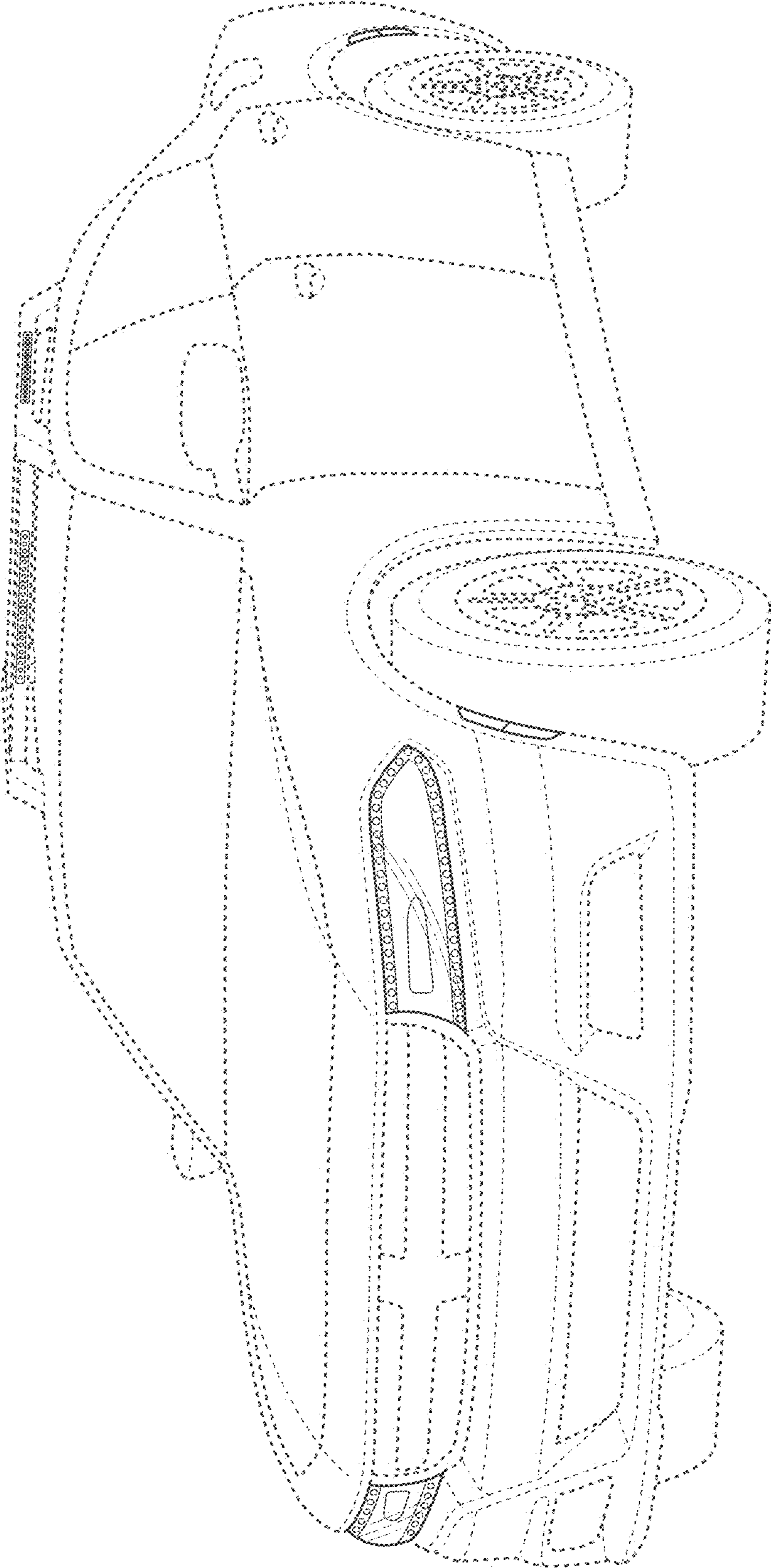


FIG. 1

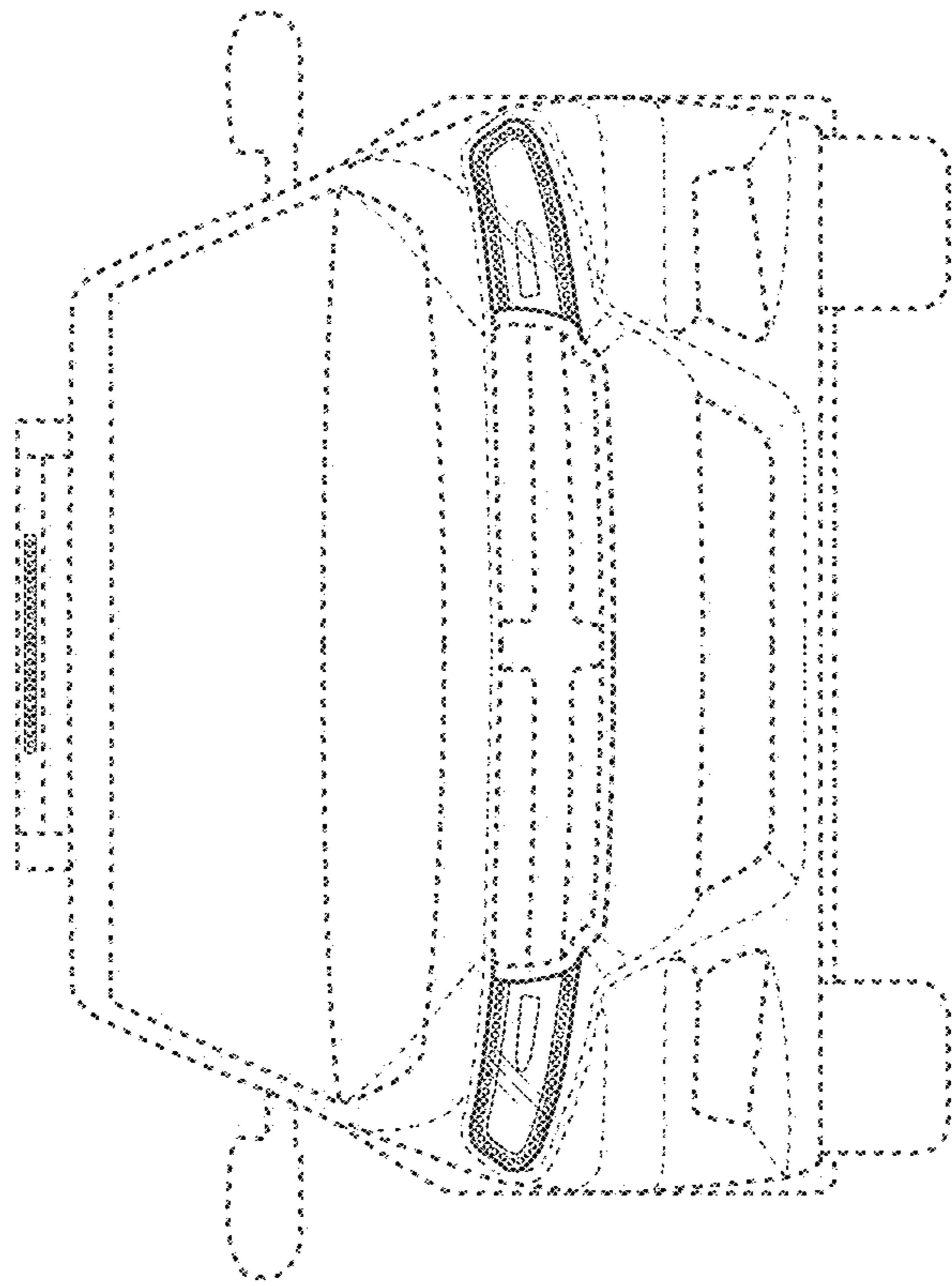


FIG. 2

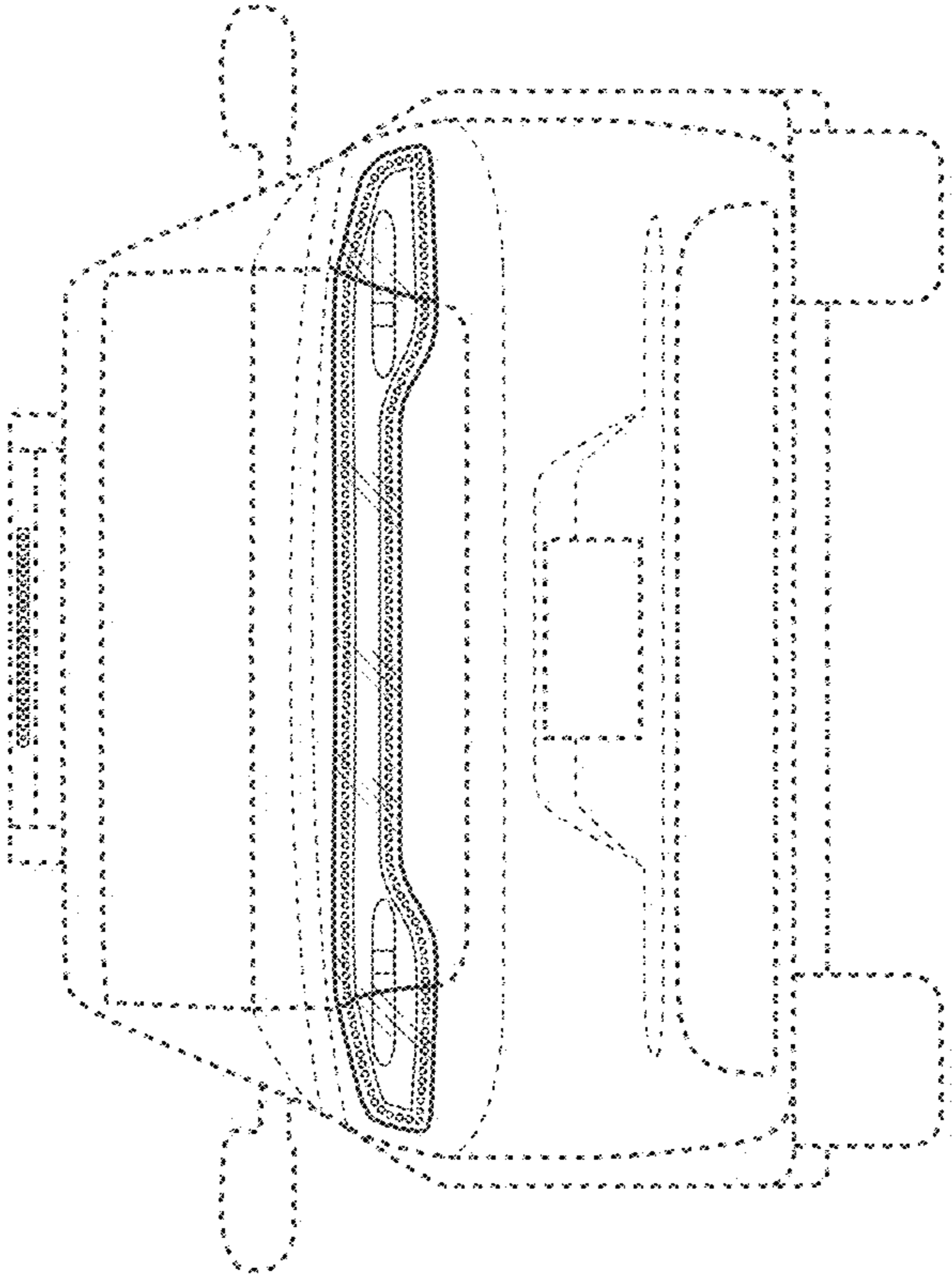


FIG. 3

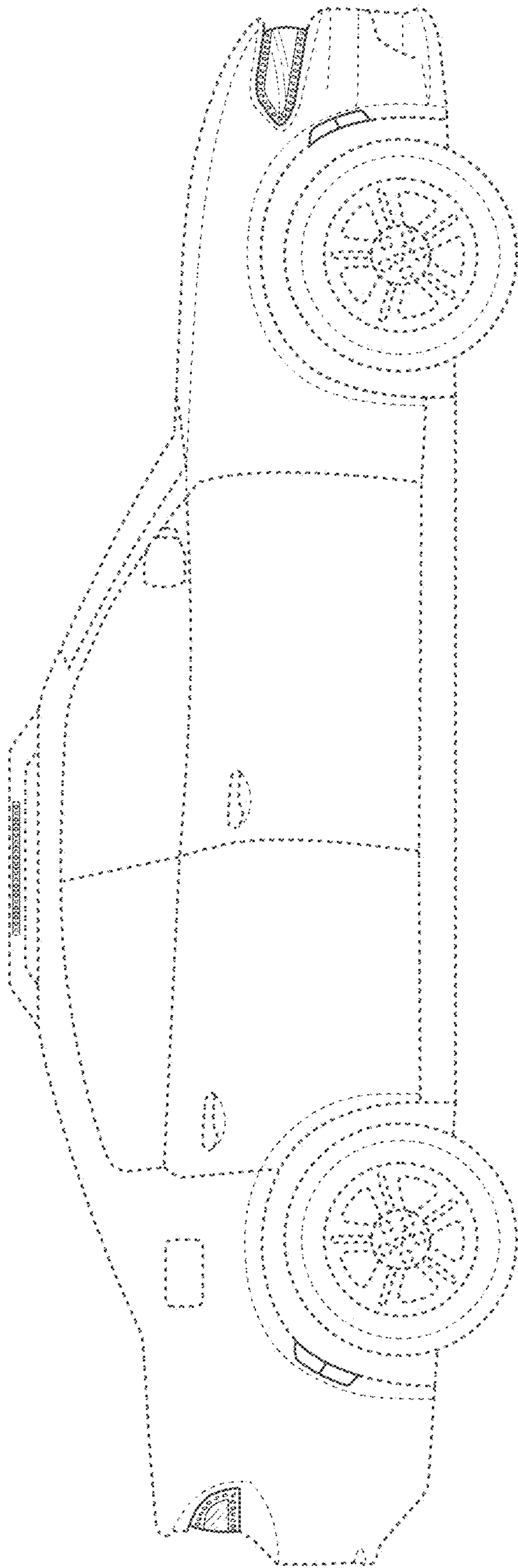


FIG. 4

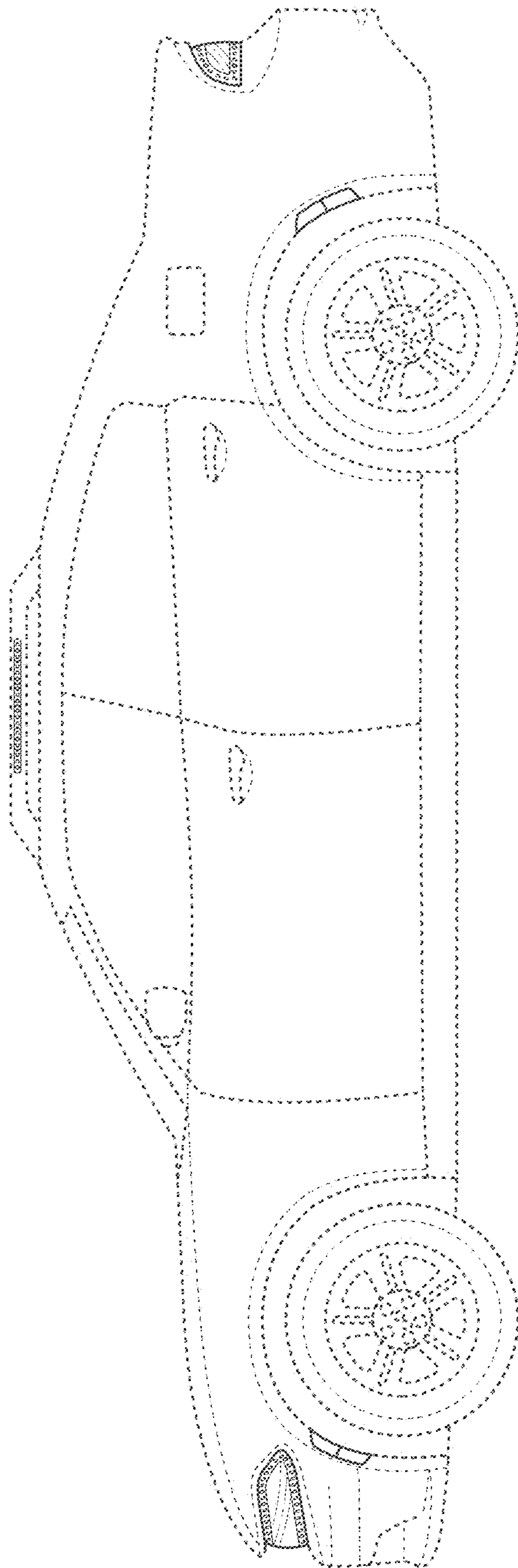


FIG. 5

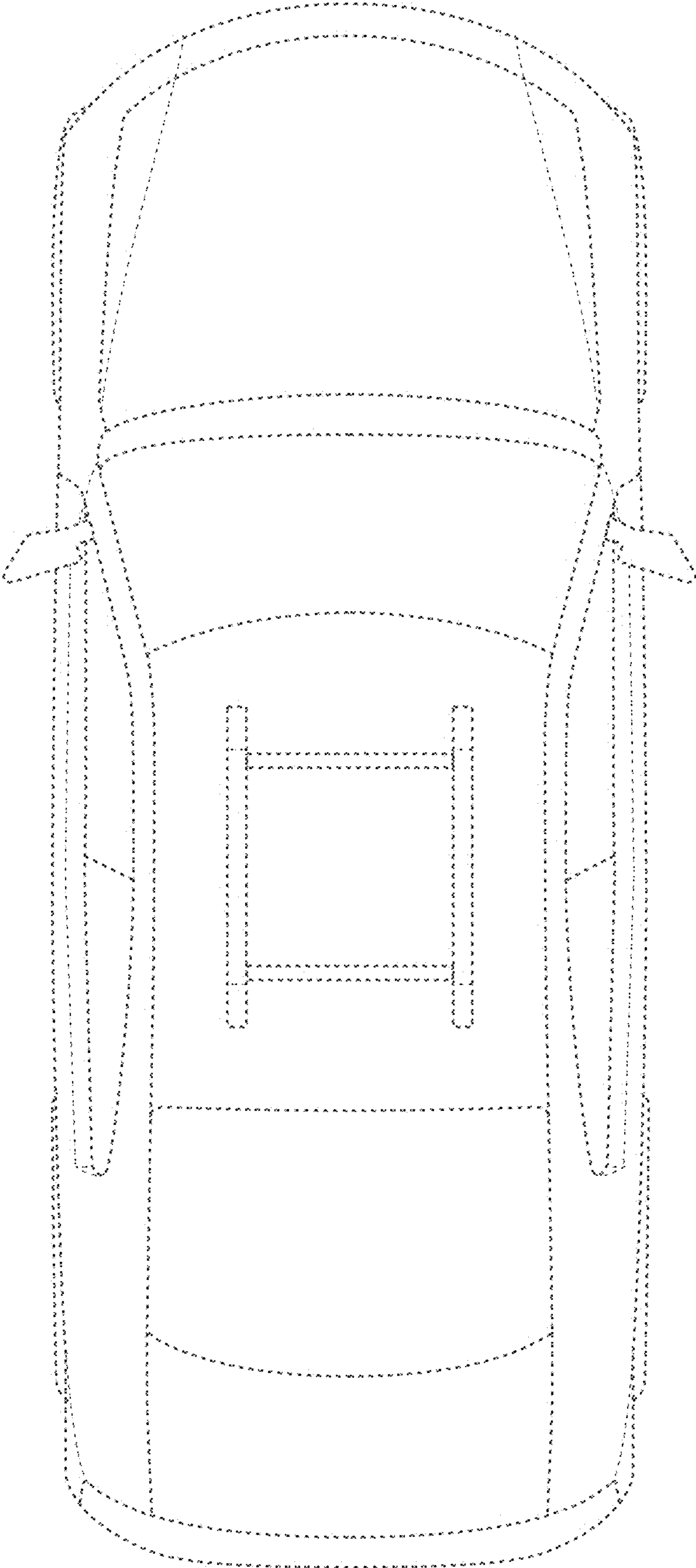


FIG. 6

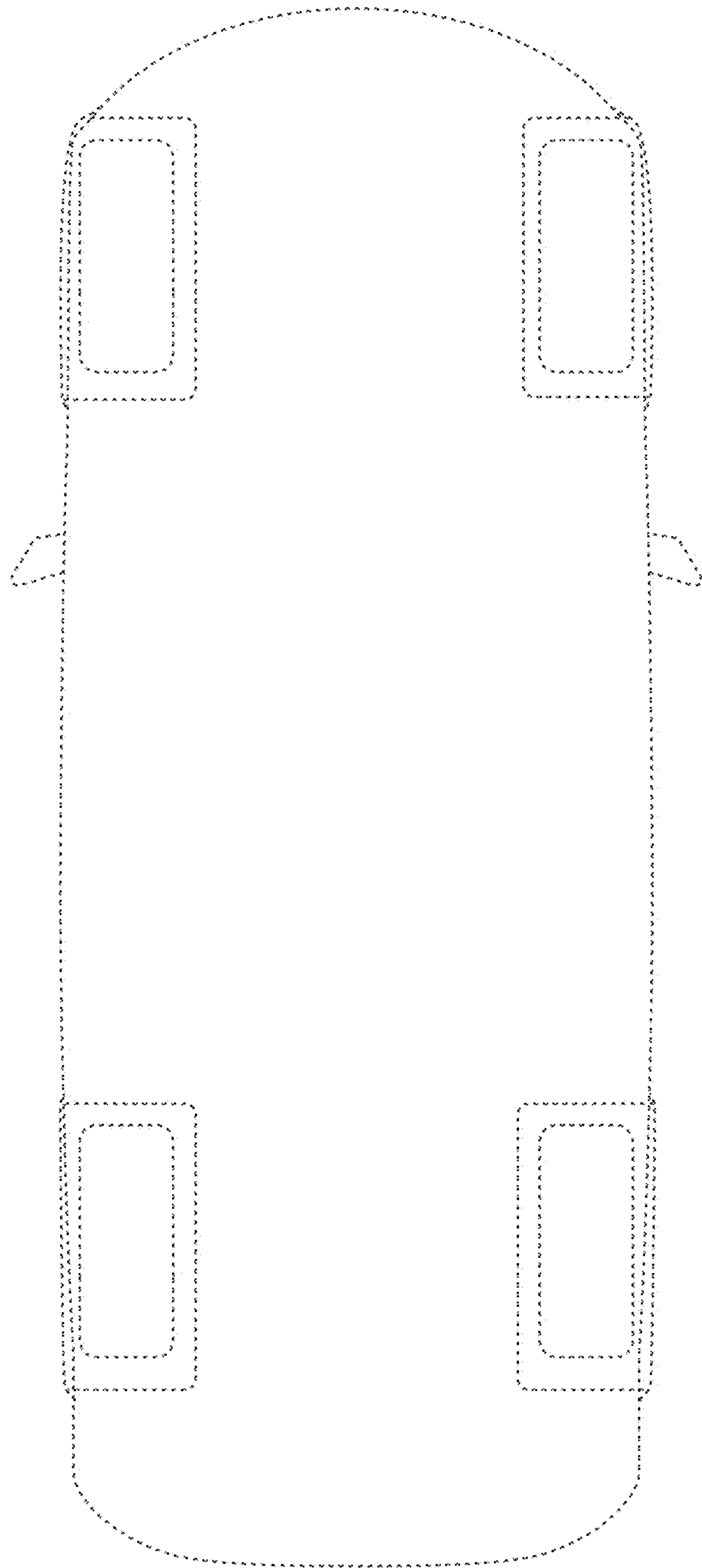


FIG. 7