



US00D985804S

(12) **United States Design Patent** (10) **Patent No.:** **US D985,804 S**
Qu (45) **Date of Patent:** **** May 9, 2023**

(54) **LIGHT**

FOREIGN PATENT DOCUMENTS

(71) Applicant: **Linhai Qixiang Lighting Co., Ltd.**,
Linhai (CN)

CN 306827412 * 9/2021
GB 6128184 * 4/2021

(72) Inventor: **Huasheng Qu**, Linhai (CN)

OTHER PUBLICATIONS

(**) Term: **15 Years**

“Brizlabs” reference by Brizlabs on Amazon.com, date first available Dec. 19, 2019 [online], site visited Sep. 9, 2022, available from internet URL: <https://www.amazon.com/BrizLabs-38-35ft-Outdoor-Crystal-Waterproof/dp/B082XN3GS4/> (Year: 2019).*

(21) Appl. No.: **29/751,977**

(Continued)

(22) Filed: **Sep. 24, 2020**

(51) **LOC (14) Cl.** **26-05**

(52) **U.S. Cl.**
USPC **D26/25**

(58) **Field of Classification Search**

USPC D26/1, 2, 4, 24, 25, 27, 57, 61, 67, 73,
D26/94, 98, 103, 110, 119, 128;
D11/117, 121, 130
CPC F21S 4/00; F21S 4/10; F21S 4/15; F21S
4/20; F21S 4/22; F21S 4/24; F21S 4/26;
F21W 2121/00; F21W 2121/04; F21W
2131/109

See application file for complete search history.

Primary Examiner — Richard Kearney

Assistant Examiner — Liv C Anderson

(74) *Attorney, Agent, or Firm* — Rumit Ranjit Kanakia

(57) **CLAIM**

The ornamental design for a light, as shown and described.

DESCRIPTION

FIG. 1 is a perspective view of a light showing my new design;

FIG. 2 is a front elevational view thereof;

FIG. 3 is a rear elevational view thereof;

FIG. 4 is a left side view thereof;

FIG. 5 is a right side view thereof;

FIG. 6 is a top plan view thereof;

FIG. 7 is a bottom plan view thereof; and,

FIG. 8 is a perspective view of the light shown in an environment of use.

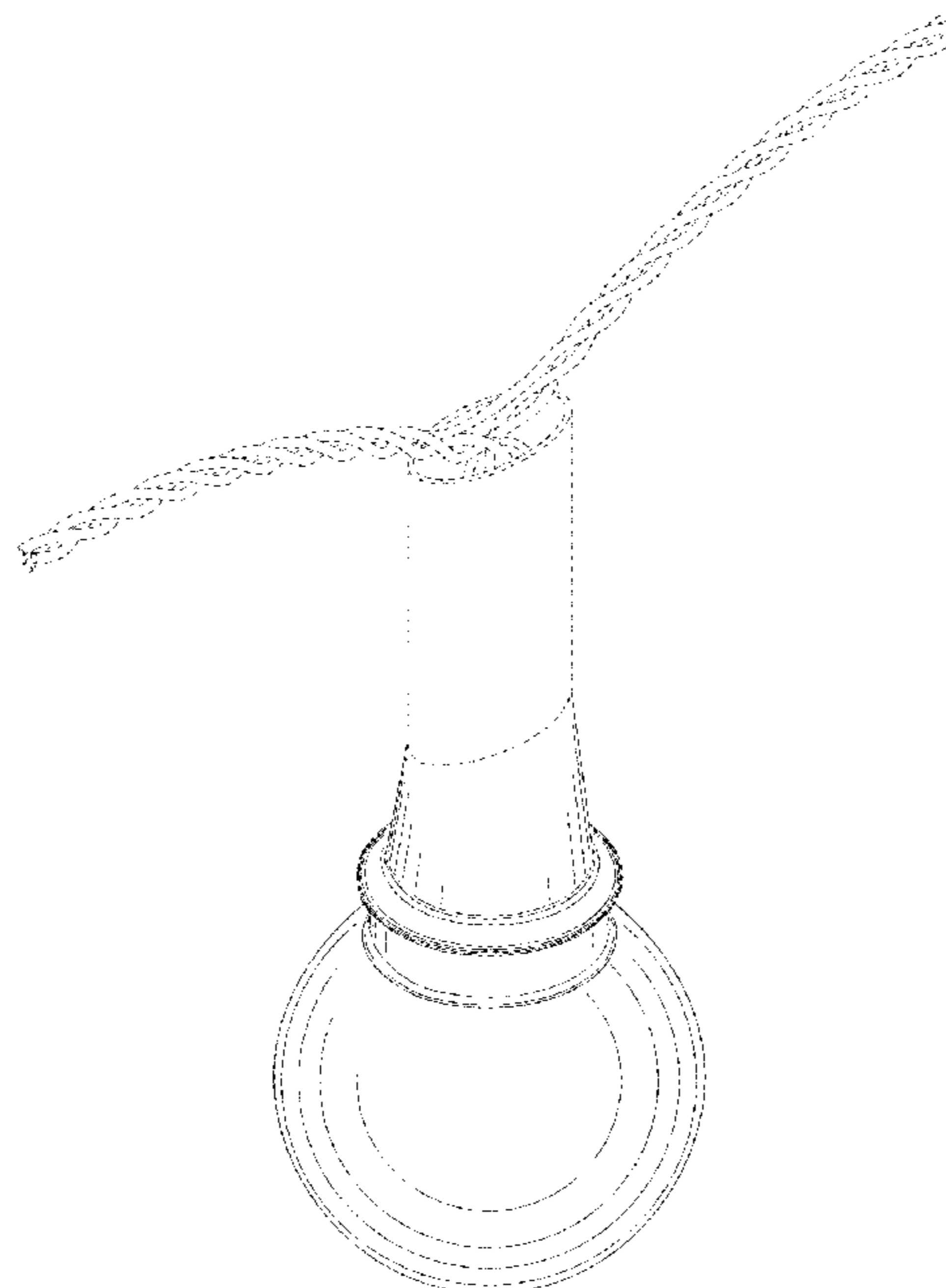
The broken lines in the drawings are for the purpose of illustrating portions of the light that form no part of the claimed design. The additional broken lines shown in FIG. 8 are directed to environment and are for illustrative purposes only and form no part thereof.

(56) **References Cited**

U.S. PATENT DOCUMENTS

D547,887 S *	7/2007	Titmarsh	D26/25
D647,221 S *	10/2011	Qiu	D26/2
D662,233 S *	6/2012	Zhou	D26/2
D662,625 S *	6/2012	Yamamoto	D26/2
D668,364 S *	10/2012	Yamamoto	D26/2
D737,475 S *	8/2015	Carroll	D26/2
D869,012 S *	12/2019	Zhu	D26/25
D869,013 S *	12/2019	Zhu	D26/25
D967,471 S *	10/2022	Xiao	D26/25
2008/0191633 A1 *	8/2008	Lai	H05B 45/20 315/185 S
2018/0340676 A1 *	11/2018	Tsai	F21S 4/10

1 Claim, 8 Drawing Sheets



(56)

References Cited

OTHER PUBLICATIONS

“Yuusei reference by Yuusei” on Amazon.com, date first available Mar. 5, 2021 [online], site visited Sep. 9, 2022, available from internet URL: <https://www.amazon.com/Yuusei-Outdoor-Dimmable-Shatterproof-Waterproof/dp/B08Y5GCVRW> (Year: 2021).*

“AWQ” reference by Sunnyglade on Amazon.com, date first available Jun. 30, 2021 [online], site visited Sep. 9, 2022, available from internet URL: <https://www.amazon.com/AWQ-Commercial-Shatterproof-Waterproof-Extendable/dp/B0989F7VLK> (Year: 2021).*

* cited by examiner

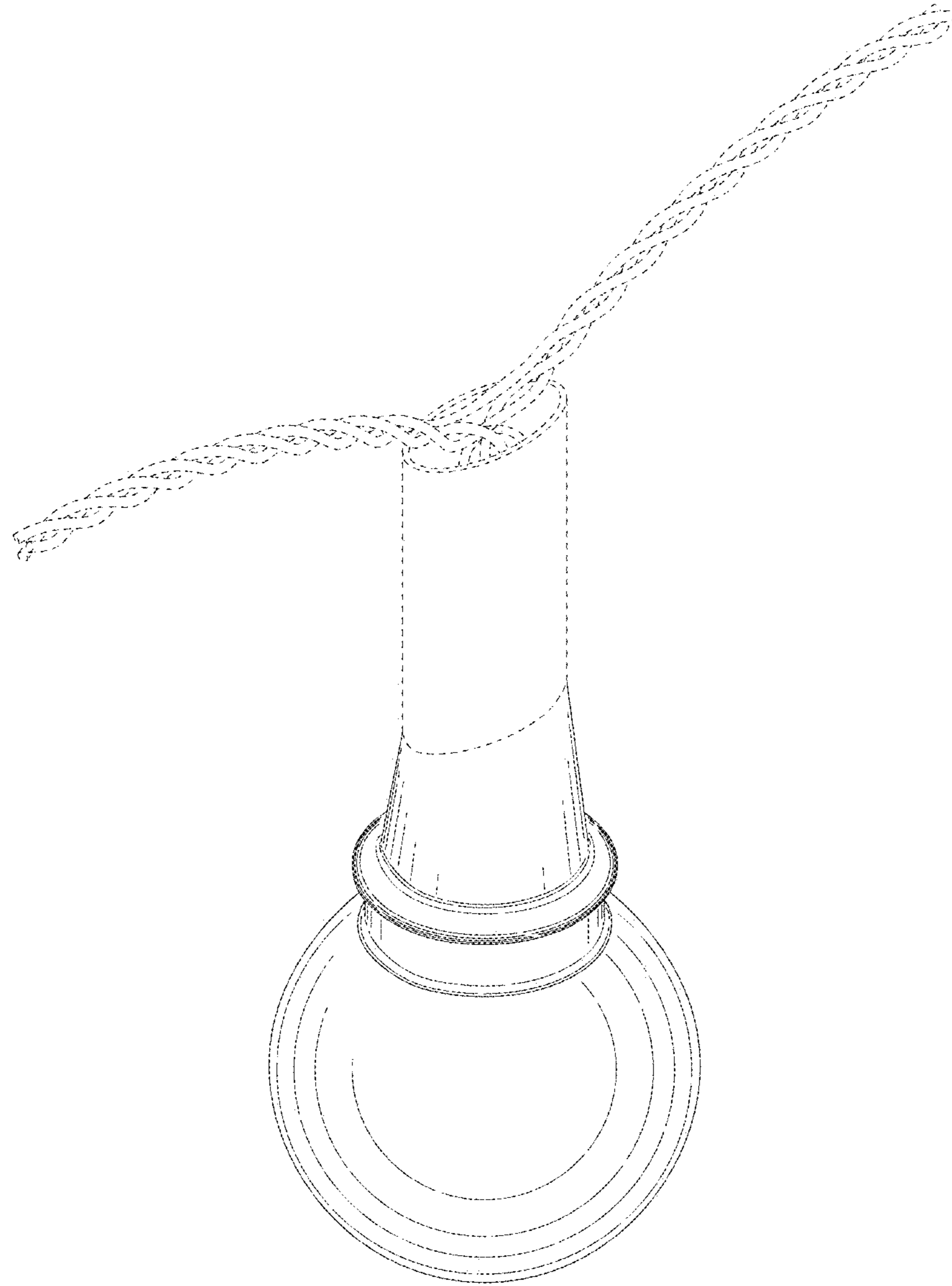


FIG.1

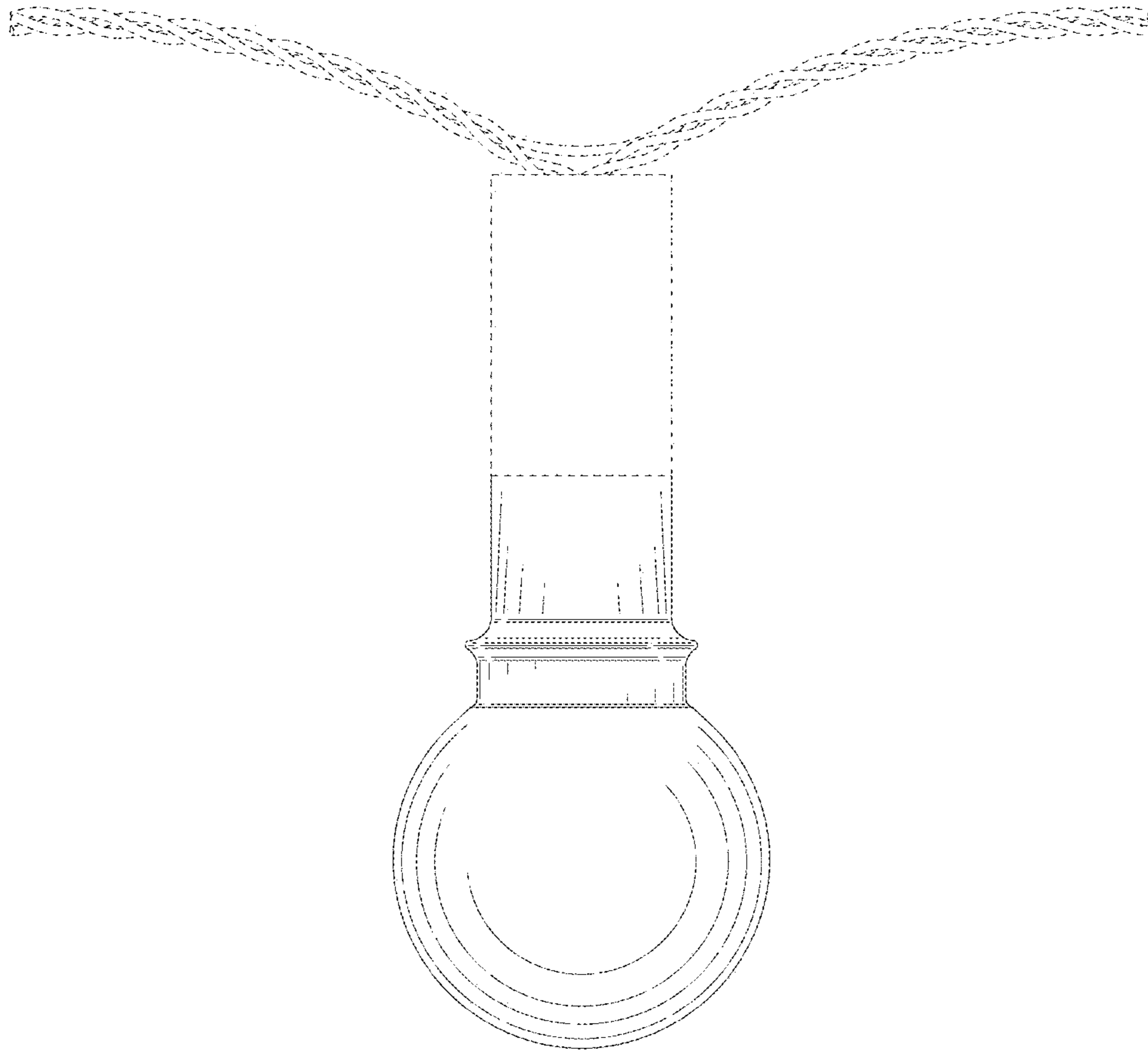


FIG.2

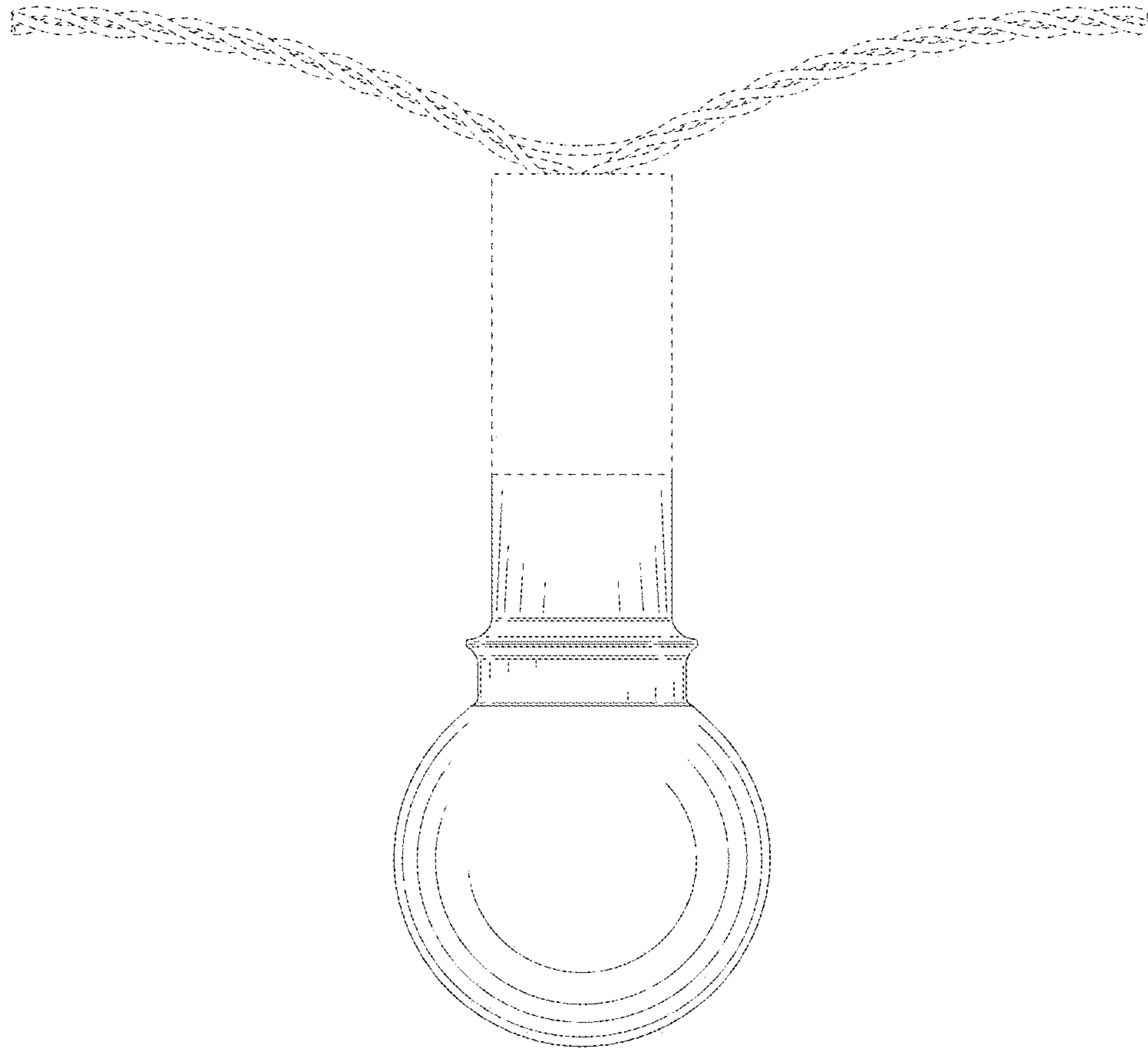


FIG.3

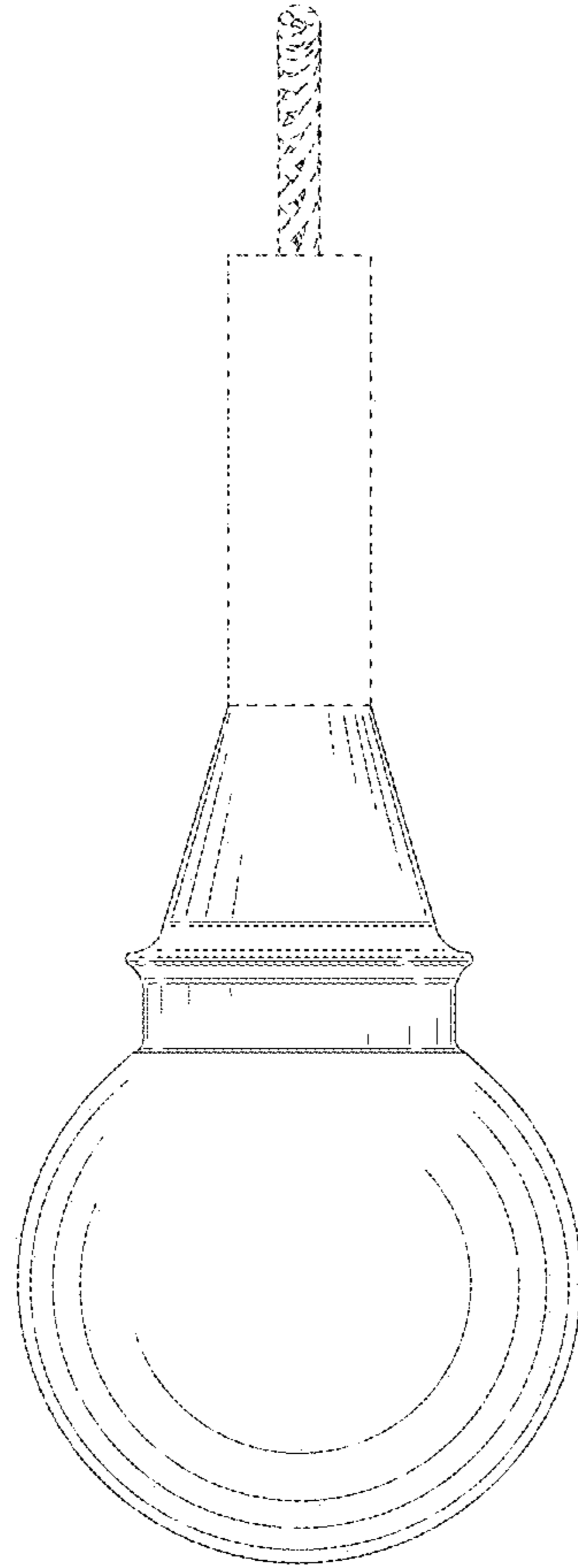


FIG.4

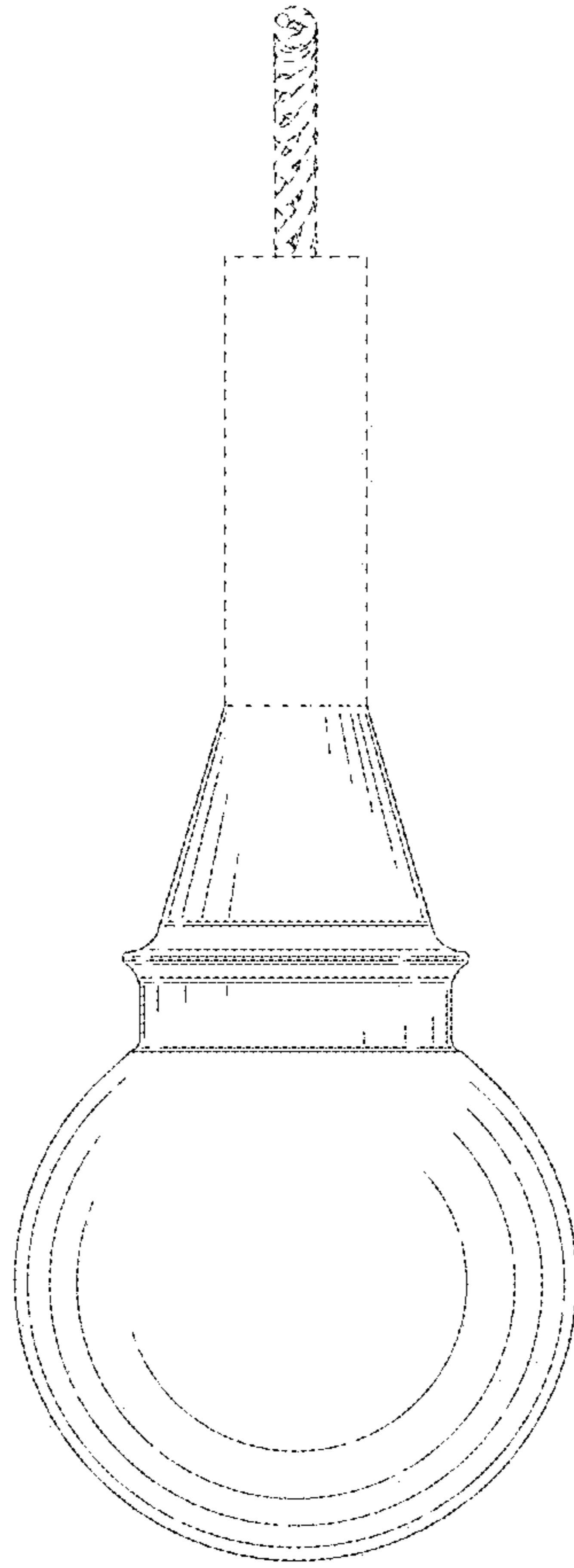


FIG.5

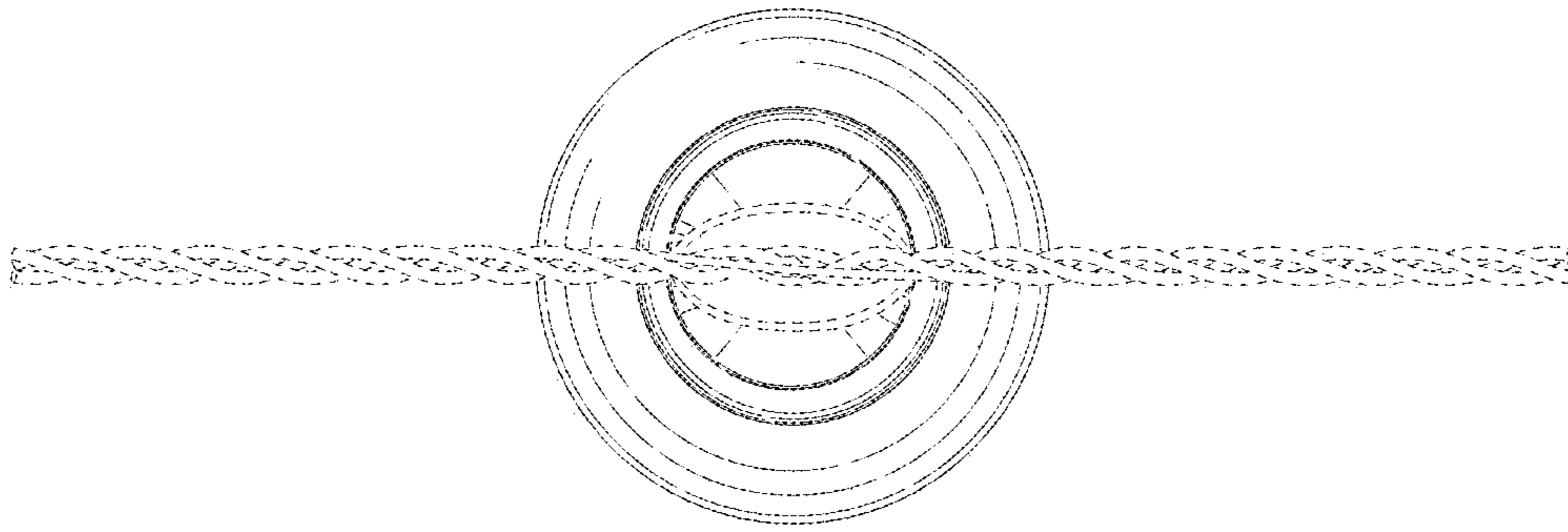


FIG.6

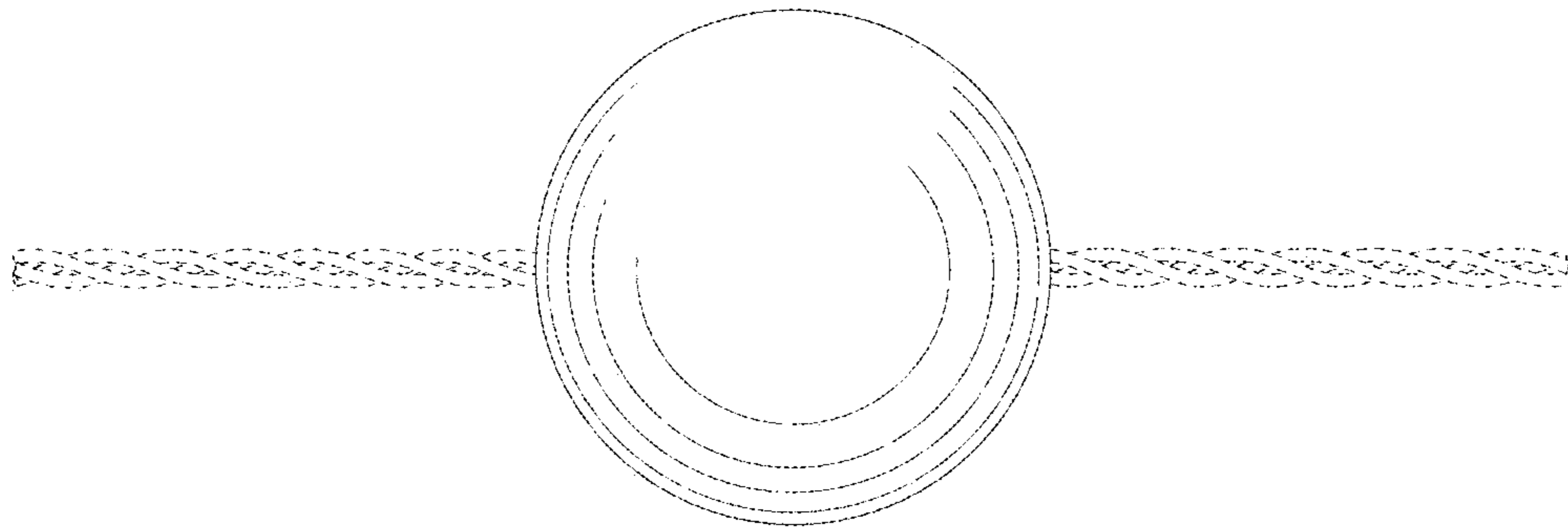


FIG.7

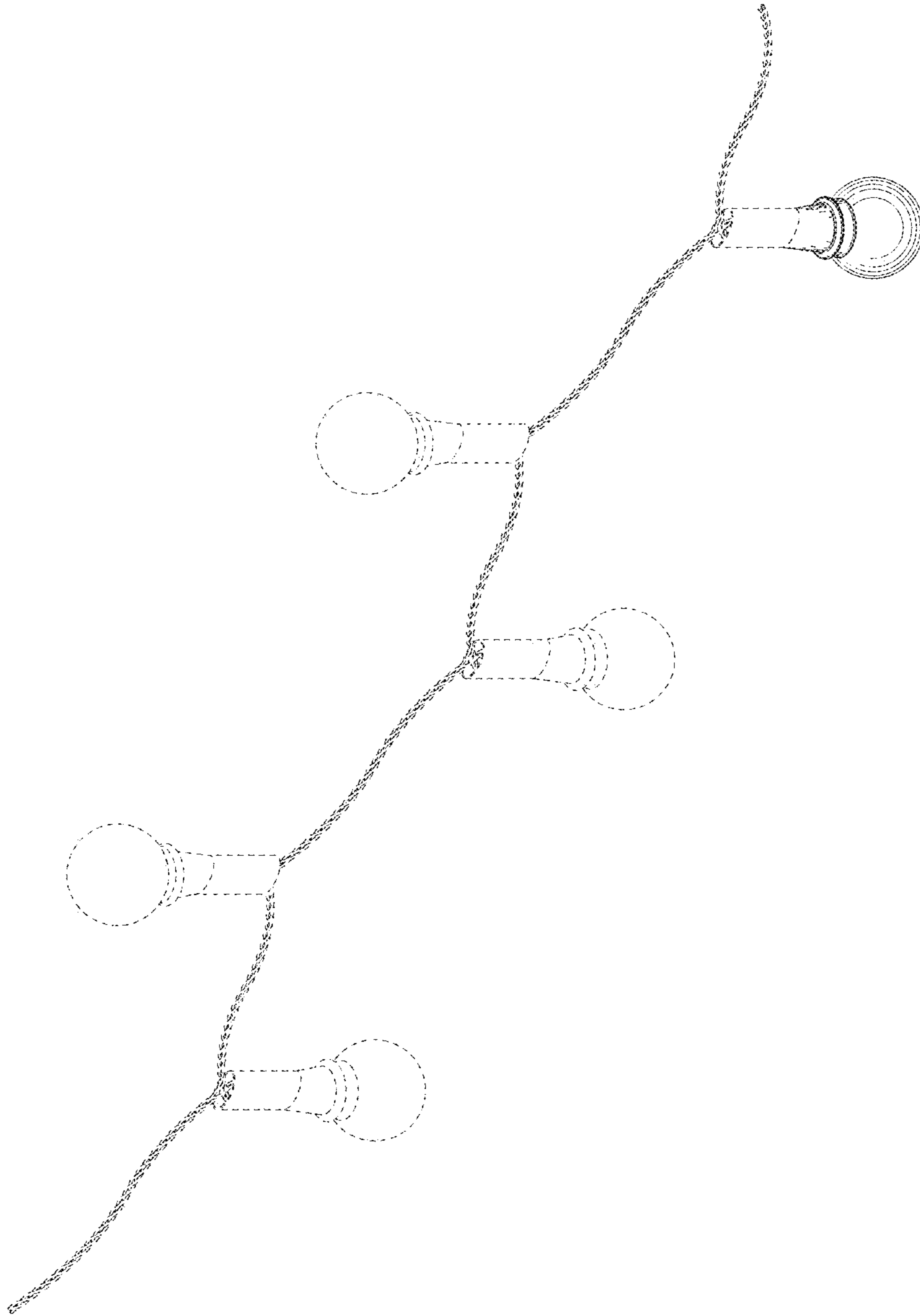


FIG.8