



US00D985803S

(12) **United States Design Patent** (10) **Patent No.:** **US D985,803 S**
Zhu (45) **Date of Patent:** **** May 9, 2023**

(54) **LIGHT BAR**
(71) Applicant: **WENZHOU SHANGYU TECHNOLOGY CO., LTD**, Wenzhou (CN)

(72) Inventor: **Yingping Zhu**, Wenzhou (CN)
(73) Assignee: **WENZHOU SHANGYU TECHNOLOGY CO., LTD**, Wenzhou (CN)

(**) Term: **15 Years**

(21) Appl. No.: **29/780,227**

(22) Filed: **Apr. 23, 2021**

(51) **LOC (14) Cl.** **10-05**

(52) **U.S. Cl.**
USPC **D10/114.4; D26/24**

(58) **Field of Classification Search**
USPC D26/2, 9, 22, 24, 25, 37, 60, 62, 72, 93, D26/106, 110, 113, 138, 41; D10/114.4
CPC F21L 4/00; F21K 9/00; F21S 4/00; F21S 6/00; F21S 8/00; F21S 8/003; F21S 8/03; F21S 8/038; F21V 33/004; F21V 35/00; F21Y 2107/70

See application file for complete search history.

(56) **References Cited**

U.S. PATENT DOCUMENTS

D545,230 S *	6/2007	Jalala	D10/114.4
D585,318 S *	1/2009	Jalala	D10/114.4
D594,769 S *	6/2009	Shin	D10/114.4
D595,173 S *	6/2009	Shin	D10/114.4
D605,540 S *	12/2009	Shin	D10/114.4
D610,932 S *	3/2010	Shin	D10/114.4
D613,632 S *	4/2010	Shin	D10/114.4
D617,226 S *	6/2010	Cai	D10/114.4
D632,199 S *	2/2011	Jacobs	D10/114.4
D652,753 S *	1/2012	Deyaf	D10/114.4
D700,098 S *	2/2014	Deyaf	D10/114.4

D703,082 S *	4/2014	Deyaf	D10/114.4
D742,269 S *	11/2015	Stein	D10/114.4
D783,436 S *	4/2017	Goltche	D10/114.4

(Continued)

FOREIGN PATENT DOCUMENTS

EM 008515159-0001 * 4/2021

OTHER PUBLICATIONS

“Amopacorp” reference by Amopa on Amazon.com, date first available May 7, 2020 [online], site visited Feb. 3, 2023, available from internet URL: <https://www.amazon.com/AMOPACORP-Function-Emergency-Flashing-Construction/dp/B0BDF6TFW4> (Year: 2020).*

(Continued)

Primary Examiner — Richard Kearney

Assistant Examiner — Liv C Anderson

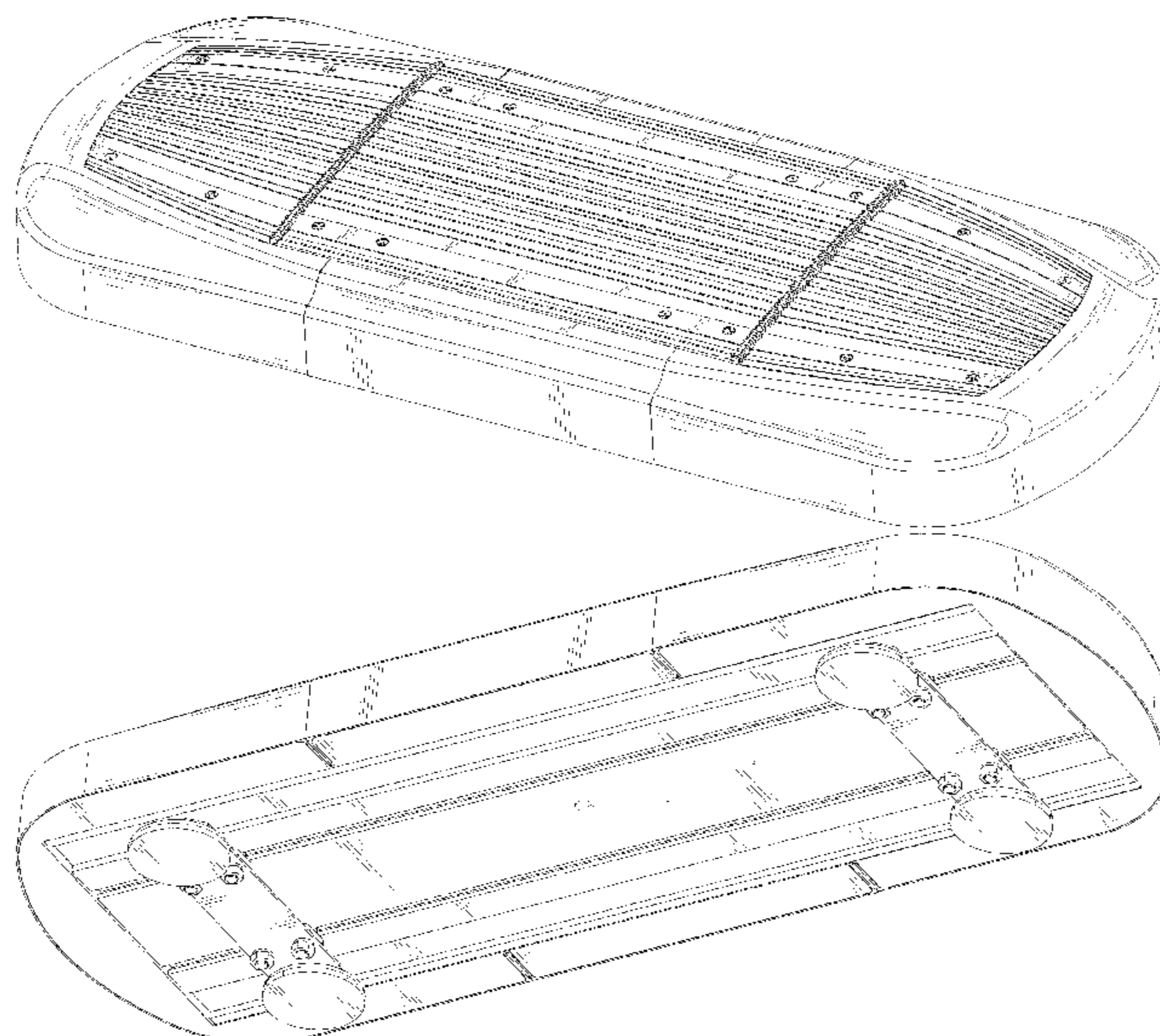
(57) **CLAIM**

The ornamental design for a light bar, as shown and described.

DESCRIPTION

FIG. 1 is a perspective view of a light bar showing my new design;
FIG. 2 is another perspective view thereof;
FIG. 3 is a front elevational view thereof;
FIG. 4 is a rear elevational view thereof;
FIG. 5 is a left side elevational view thereof;
FIG. 6 is a right side elevational view thereof;
FIG. 7 is a top plan view thereof;
FIG. 8 is a bottom plan view thereof; and,
FIG. 9 is an enlarged view of portion 9 shown in FIG. 7.
The broken lines in the drawings depict portions of the light bar that form no part of the claimed design.
The dash-dot-dash broken lines encircling the enlarged views are for annotative purposes only and form no part of the claim thereof.

1 Claim, 9 Drawing Sheets



(56)

References Cited

U.S. PATENT DOCUMENTS

D793,891 S * 8/2017 Deyaf D10/114.4
D795,114 S * 8/2017 Deyaf D10/114.4
D835,535 S * 12/2018 Deyaf D10/114.4
D840,855 S * 2/2019 Goltche D10/114.4
D864,008 S * 10/2019 Goltche D10/114.4

OTHER PUBLICATIONS

“ASPL” reference by ASPL Store on Amazon.com, date first available Feb. 19, 2019 [online], site visited Feb. 3, 2023, available from internet URL: <https://www.amazon.com/ASPL-Intensity-Emergency-Construction-Vehicles/dp/B07MY2L2FW> (Year: 2019).*

“Cumart” reference by Csintl Group-US on Amazon.com, date first available Apr. 16, 2018 [online], site visited Feb. 3, 2023, available from internet URL: <https://www.amazon.com/CUMART-Intensity-Construction-Emergency-Enforcement/dp/B07D13X92L> (Year: 2018).*

“Aviator” reference by LED Equipped on Amazon.com, date first available Jul. 1, 2015 [online], site visited Feb. 3, 2023, available from internet URL: <https://www.amazon.com/Aviator-Emergency-Light-Amber-White/dp/B0794D7M25> (Year: 2015).*

“Xprite” reference by Xprite USA on Amazon.com, date first available Jan. 25, 2021 [online], site visited Feb. 3, 2023, available from internet URL: <https://www.amazon.com/Xprite-Aluminum-Heavy-duty-Emergency-Construction/dp/B08TWBTHGY> (Year: 2021).*

* cited by examiner

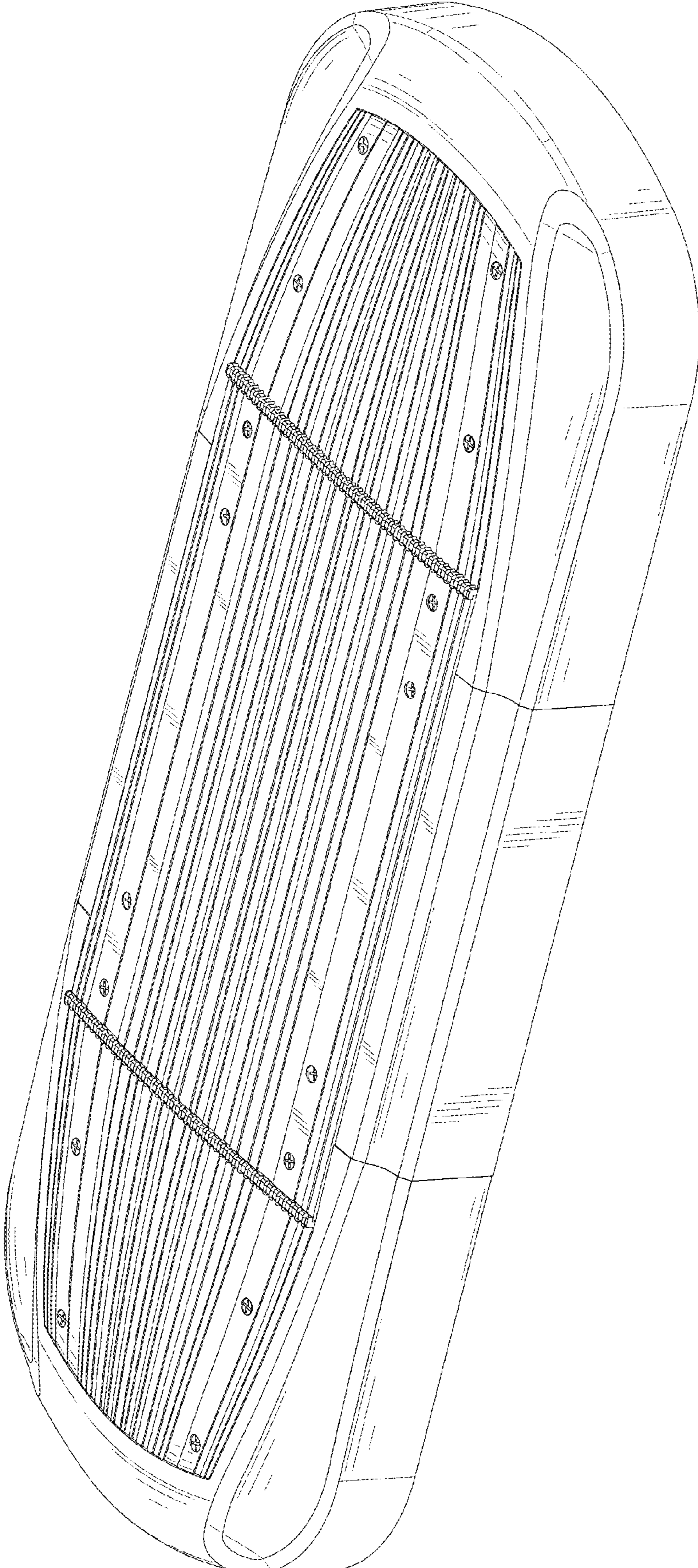


FIG. 1

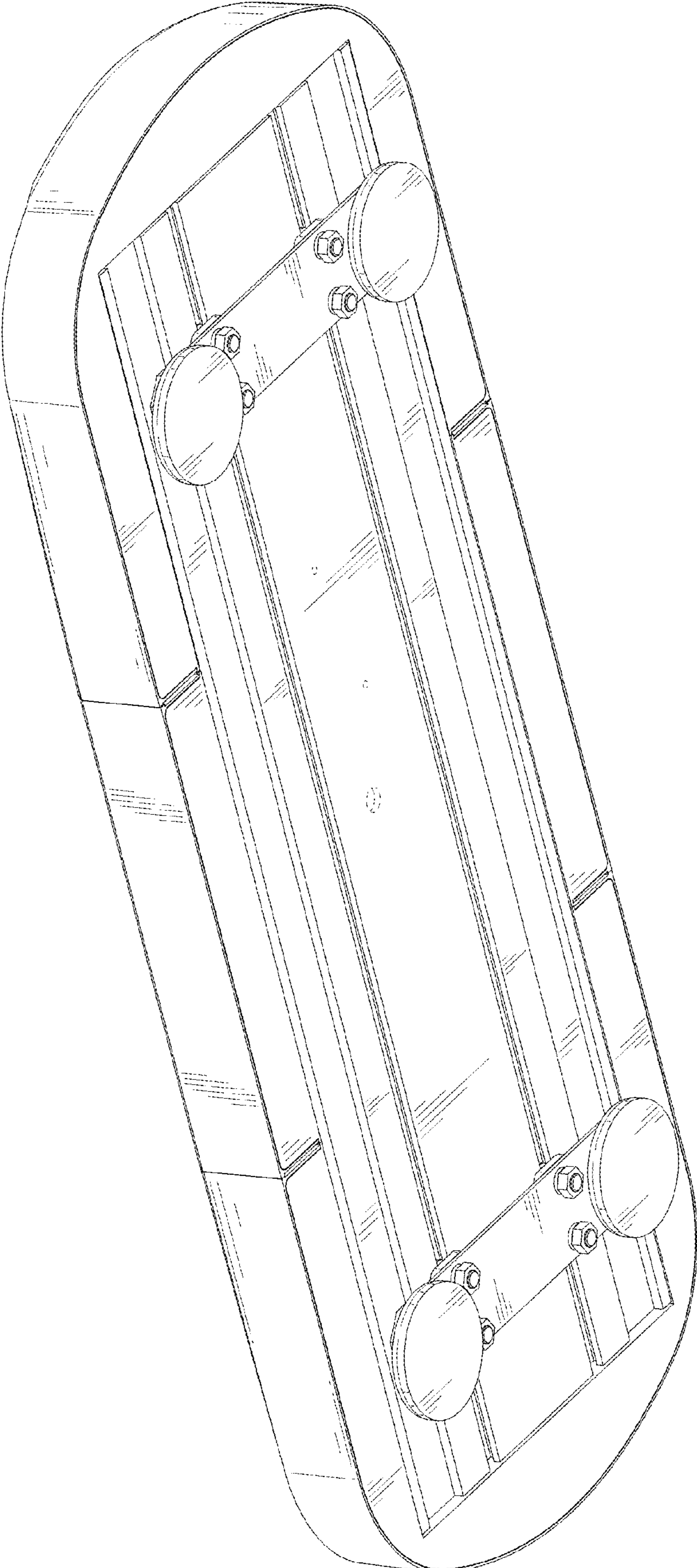


FIG. 2

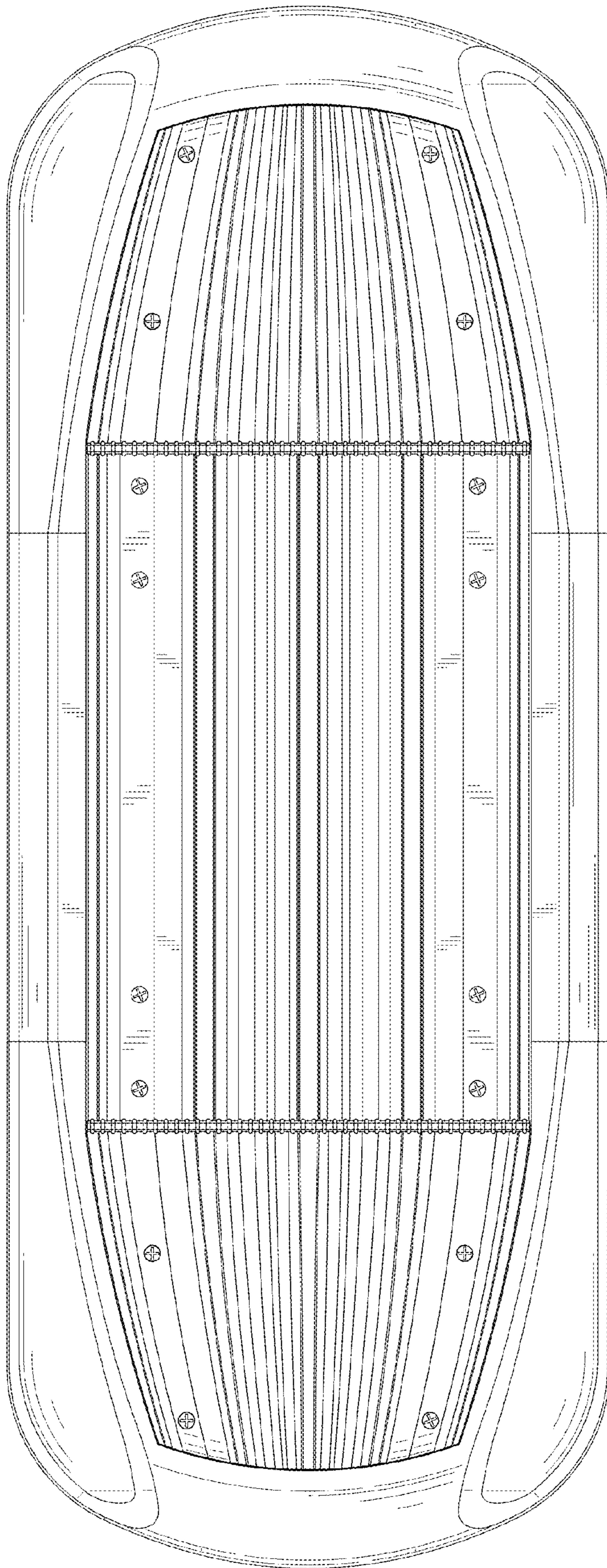


FIG. 3

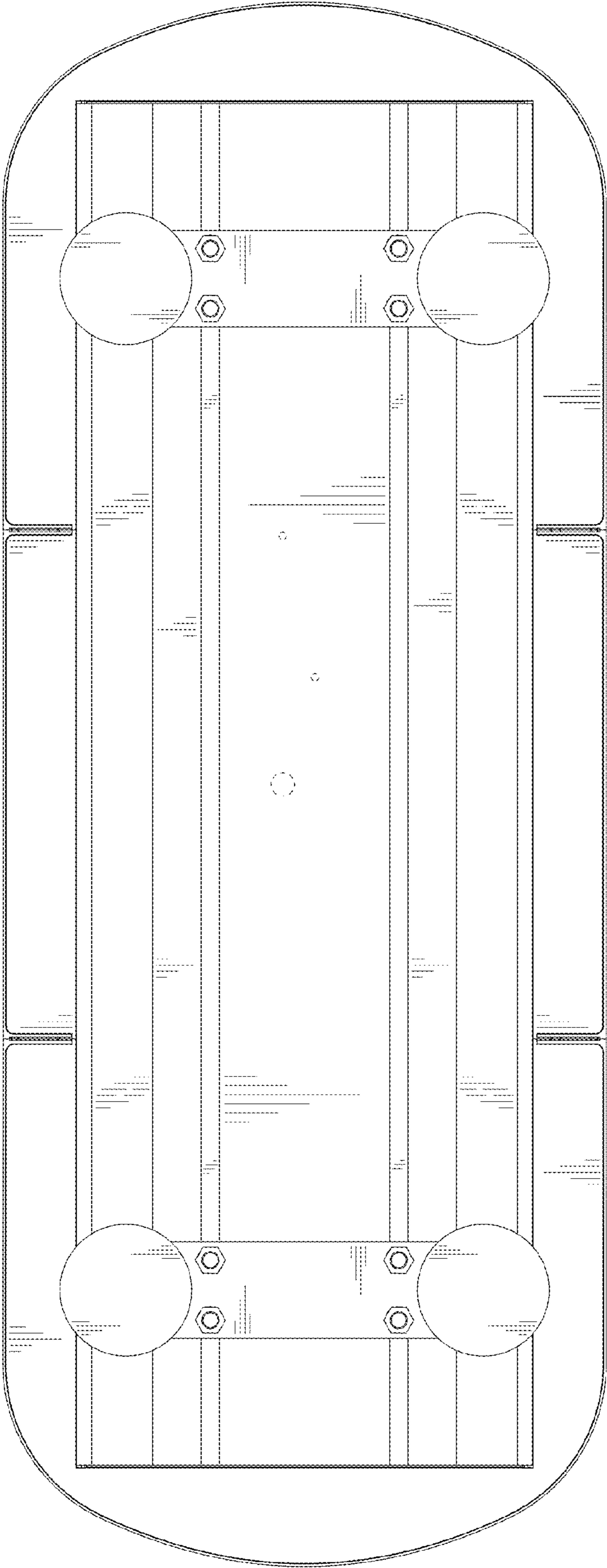


FIG. 4

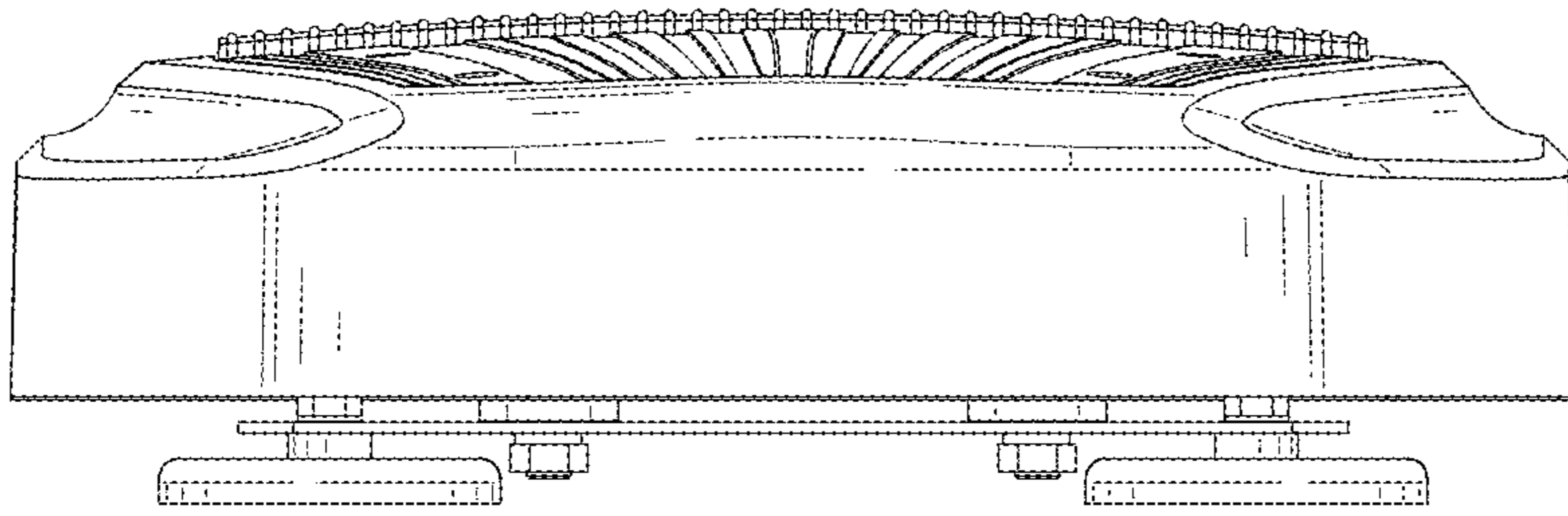


FIG. 5

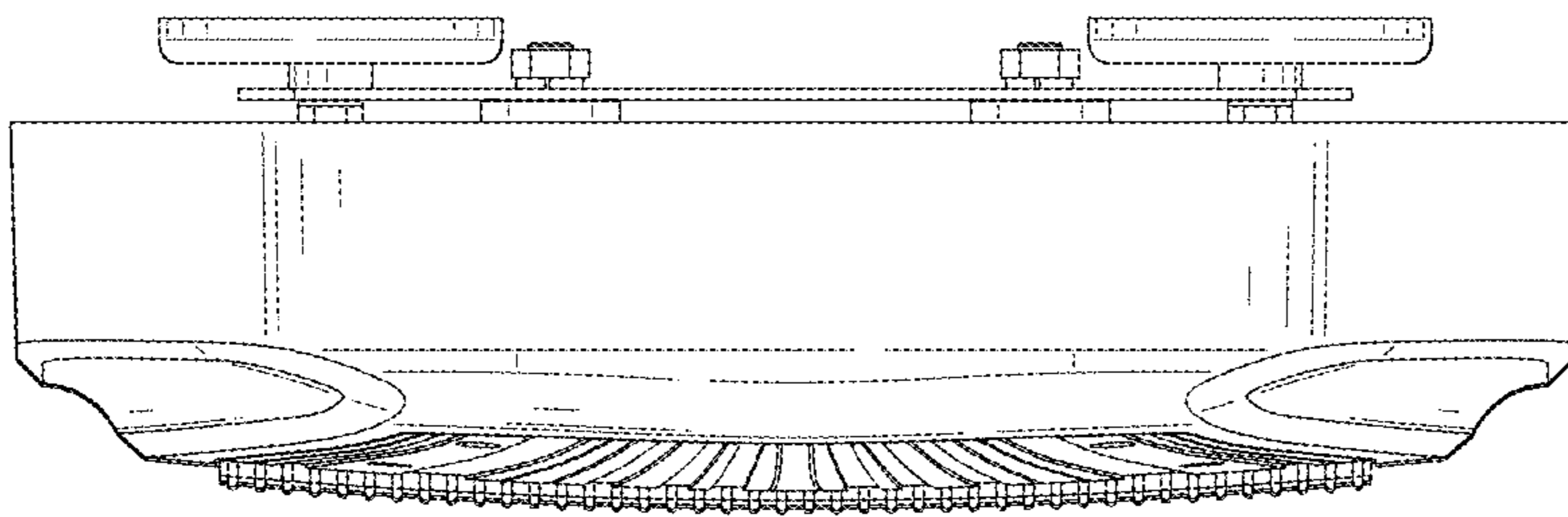


FIG. 6

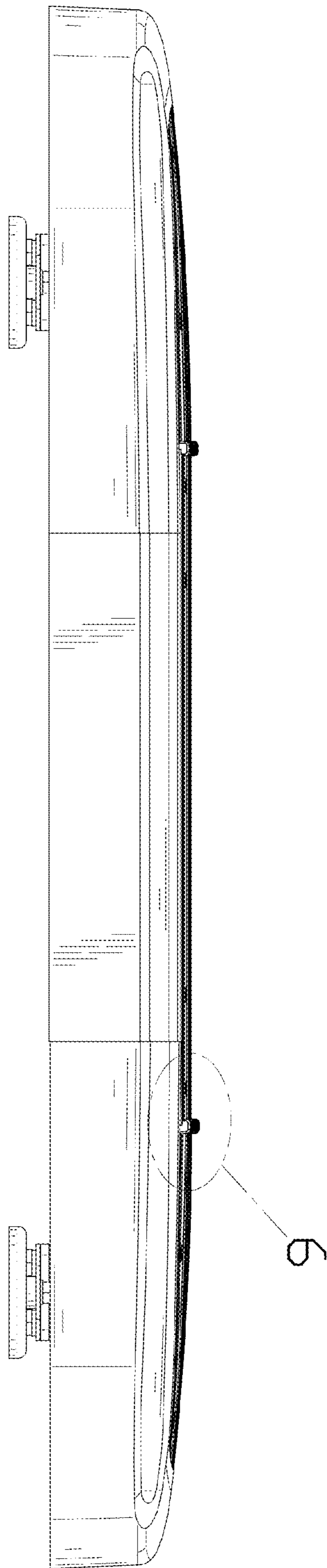


FIG. 7

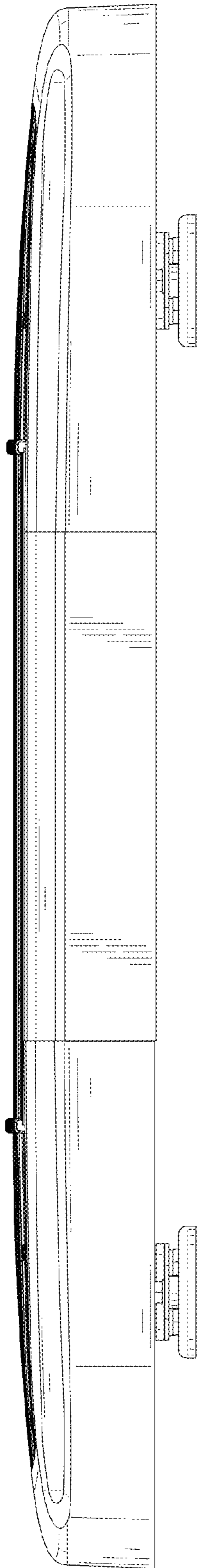


FIG. 8

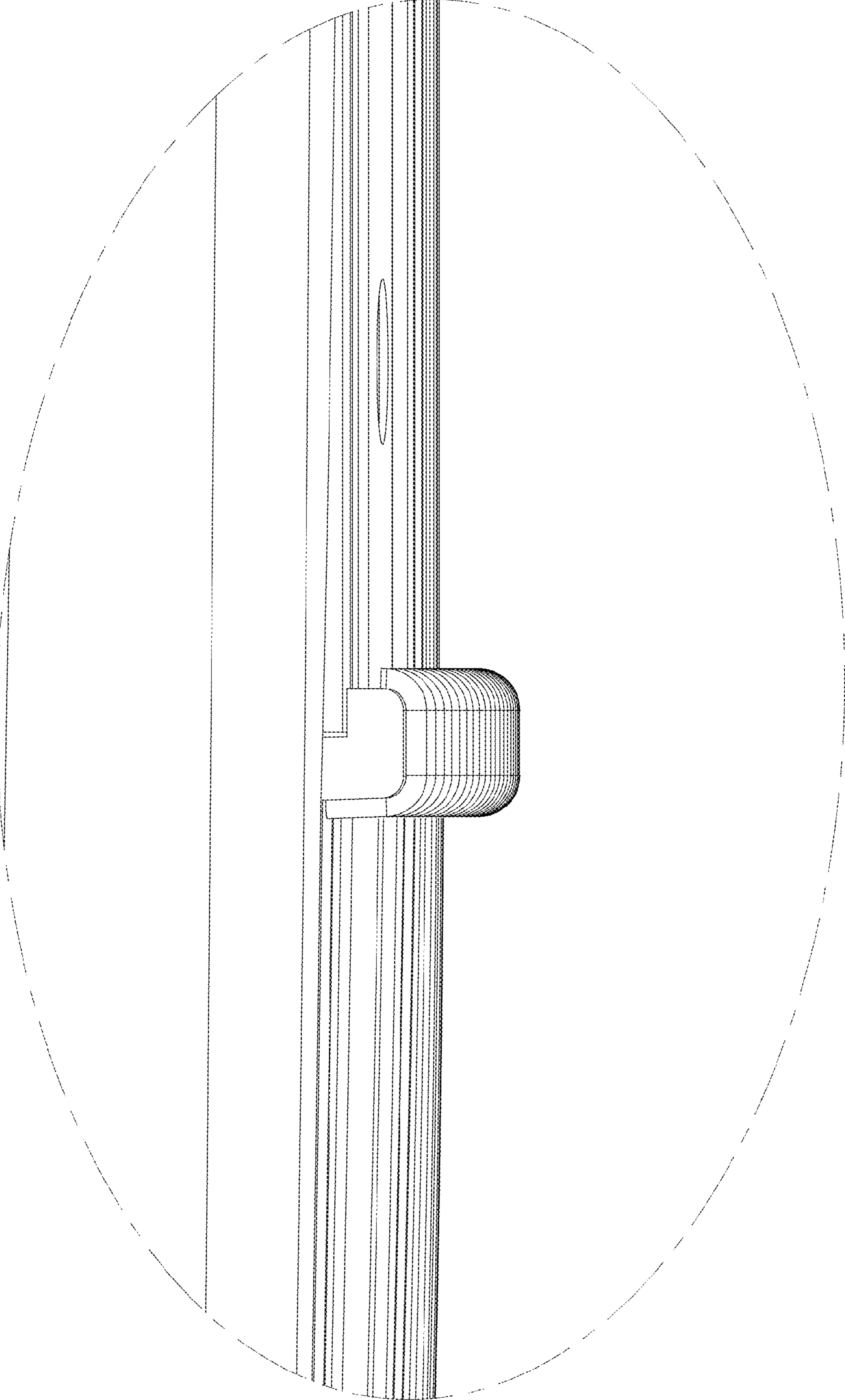


FIG. 9