



US00D985802S

(12) **United States Design Patent**  
**Frobosilo et al.**

(10) **Patent No.:** **US D985,802 S**

(45) **Date of Patent:** **\*\* May 9, 2023**

(54) **ISOLATED RESILIENT CHANNEL**

3,477,187 A \* 11/1969 Fruman ..... E04F 13/0803  
D25/119

(71) Applicant: **Super Stud Building Products, Inc.**,  
Edison, NJ (US)

7,191,570 B1 \* 3/2007 Eaton ..... E04F 13/0803  
52/506.09

(72) Inventors: **Raymond C. Frobosilo**, Edison, NJ  
(US); **William Donnell Allen**, Edison,  
NJ (US)

D613,831 S \* 4/2010 Bradbeer ..... D23/267  
(Continued)

(73) Assignee: **SUPER STUD BUILDING**  
**PRODUCTS, INC.**, Edison, NJ (US)

**FOREIGN PATENT DOCUMENTS**

KR 200347272 Y1 4/2004  
KR 20050069677 A 7/2005  
KR 20090003503 U 4/2009

(\*\*) Term: **15 Years**

**OTHER PUBLICATIONS**

(21) Appl. No.: **29/785,098**

Super Stud, Spec sheet for RC Super resilient channel, undated.  
(Continued)

(22) Filed: **May 24, 2021**

(51) **LOC (14) Cl.** ..... **25-01**

*Primary Examiner* — Llorellys Martinez

(52) **U.S. Cl.**  
USPC ..... **D25/121**

(74) *Attorney, Agent, or Firm* — Notaro, Michalos &  
Zaccaria P.C.

(58) **Field of Classification Search**  
USPC ..... D25/55, 61, 119–123, 164, 199;  
D23/393

CPC ..... E04B 9/064; E04B 9/065; E04B 9/068;  
E04B 9/10; E04B 9/18; E04B 9/183;  
E04B 9/30; E04B 1/2403; E04B 1/84;  
E04B 1/99; E04B 2001/8281; E04C 3/00;  
E04C 3/04; E04C 3/09; E04C 2/00; E04F  
13/0803; E04F 19/062; E04F 19/063;  
E04F 19/064

See application file for complete search history.

(57) **CLAIM**

The ornamental design for an isolated resilient channel, as  
shown and described.

**DESCRIPTION**

FIG. 1 is a top, front, left isometric view of an isolated  
resilient channel, showing our new design.  
FIG. 2 is a front elevational view thereof;  
FIG. 3 is a rear elevational view thereof;  
FIG. 4 is a left elevational view thereof;  
FIG. 5 is a right elevational view thereof;  
FIG. 6 is a top plan view thereof; and,  
FIG. 7 is a bottom plan view thereof.

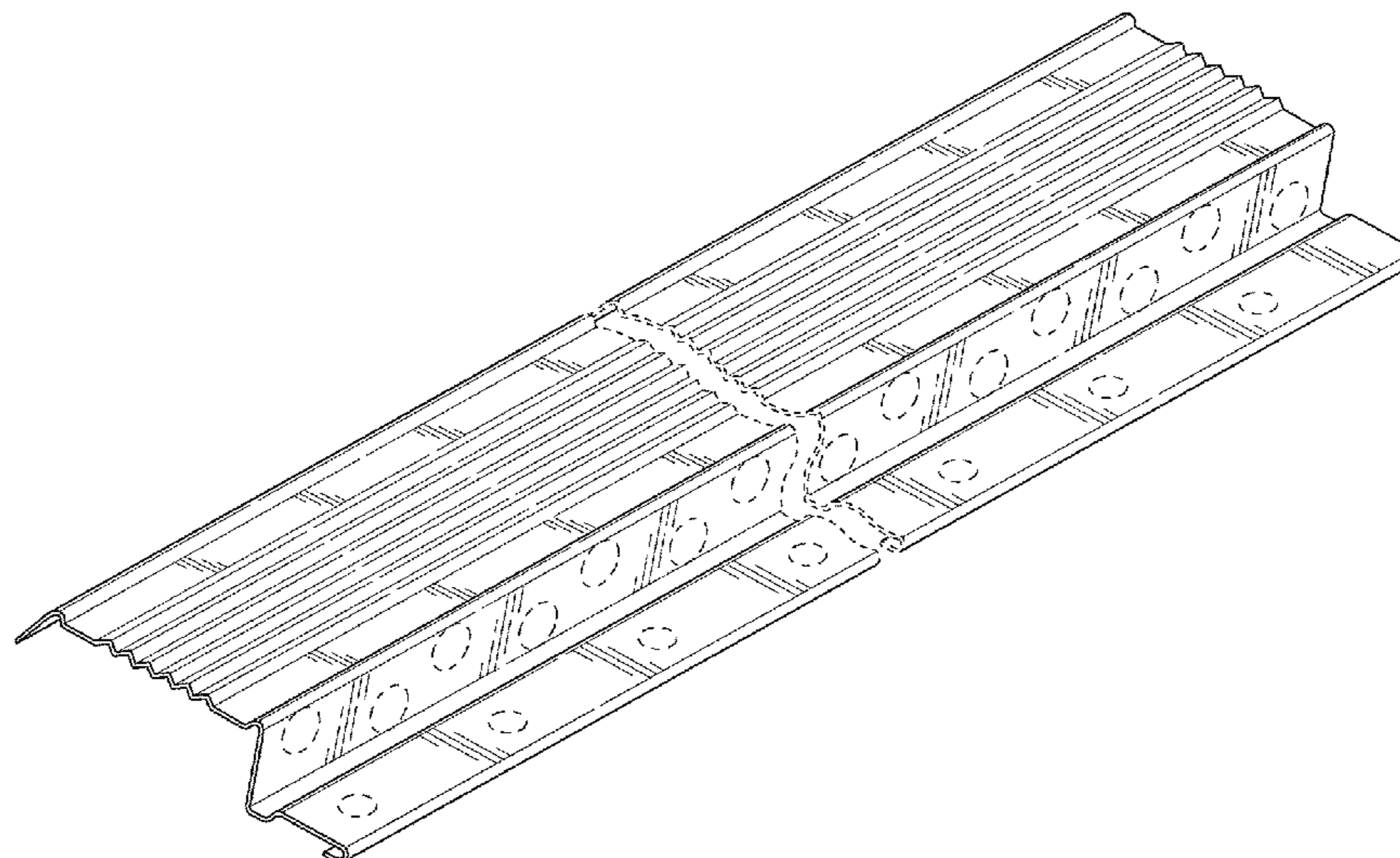
The broken lines in the drawings represent portions of the  
isolated resilient channel that form no part of the claimed  
design. The isolated resilient channel is shown with a  
symbolic break in its length. The appearance of any portion  
of the isolated resilient channel between the break lines  
forms no part of the claimed design.

(56) **References Cited**

**U.S. PATENT DOCUMENTS**

D196,840 S \* 11/1963 Case ..... D25/123  
3,202,077 A \* 8/1965 Lee ..... E04B 9/02  
454/301  
3,233,297 A \* 2/1966 Havener ..... E04B 9/205  
403/397  
3,333,379 A \* 8/1967 Harris ..... E04F 13/0803  
52/364  
3,421,281 A \* 1/1969 Harris ..... E04F 13/0803  
52/483.1

**1 Claim, 6 Drawing Sheets**



(56)

**References Cited**

U.S. PATENT DOCUMENTS

D613,832	S *	4/2010	Bradbeer .....	D23/267
D702,860	S *	4/2014	Rice .....	D25/119
D751,732	S *	3/2016	Sparks .....	D25/121
9,388,572	B2	7/2016	Gates	
9,856,642	B2 *	1/2018	Ukrainetz .....	E04F 13/0803
10,260,241	B2 *	4/2019	Kaligian, II .....	E04B 1/99
10,815,669	B2 *	10/2020	Diercks .....	E04F 13/0803
11,286,676	B2 *	3/2022	Nelson .....	E04F 13/0803
2011/0146180	A1 *	6/2011	Klein .....	E04B 2/7453
				52/317
2013/0042571	A1 *	2/2013	Mears .....	E04F 13/0803
				52/716.8
2013/0291465	A1 *	11/2013	Resso .....	E04F 13/0805
				52/302.1
2016/0024805	A1 *	1/2016	Graziano .....	E04C 3/04
				428/34.1
2019/0078335	A1 *	3/2019	Kaligian, II .....	E04B 1/84
2022/0120091	A1 *	4/2022	Letham .....	E04F 13/0803
2022/0372758	A1 *	11/2022	Frobosilo .....	E04F 13/0803

OTHER PUBLICATIONS

Super Stud, printout of web page, <https://www.buysuperstud.com/products/clips-and-accessories/resilient-channel>, retrieved May 19, 2021.

\* cited by examiner

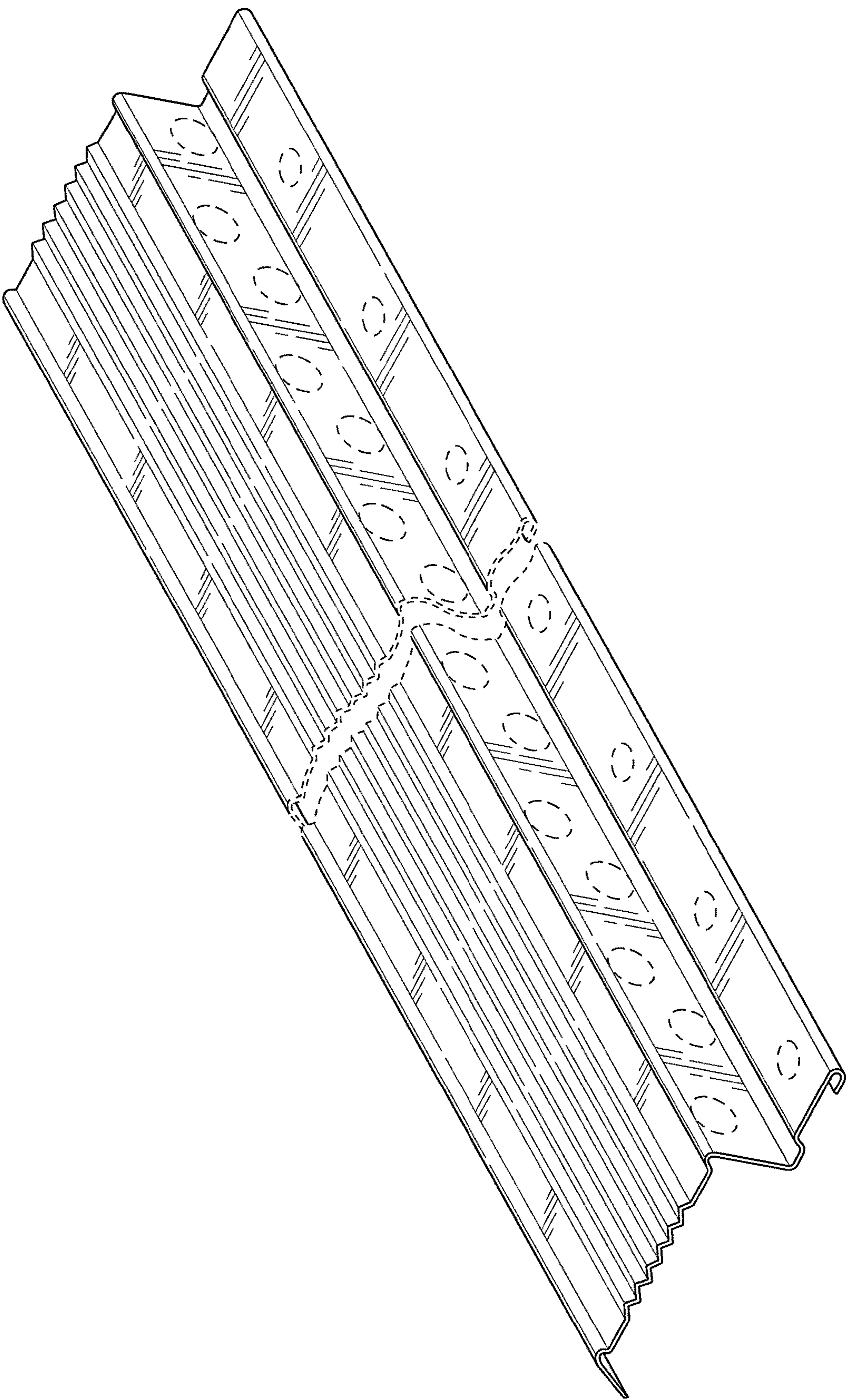


FIG. 1

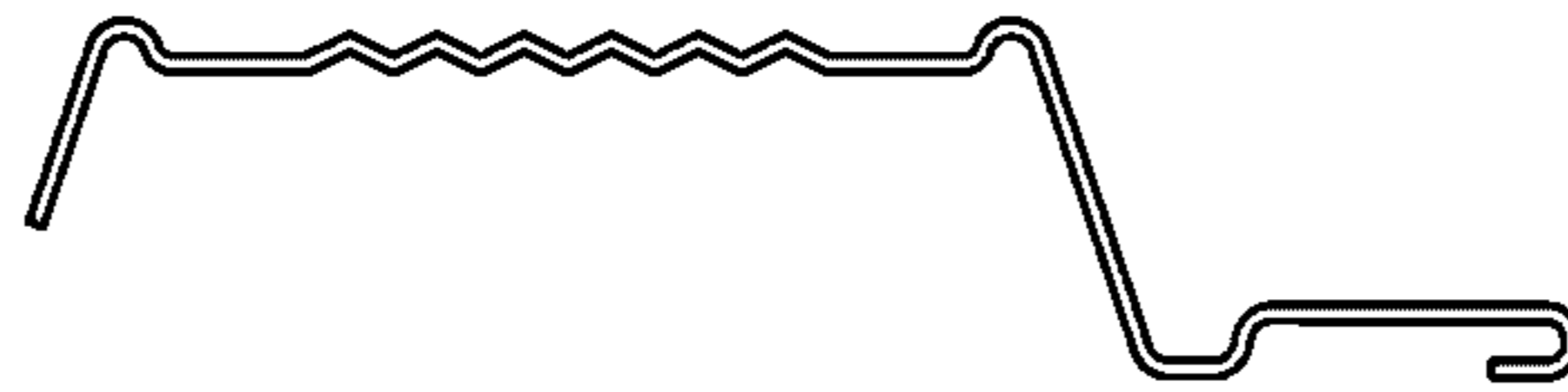


FIG. 2

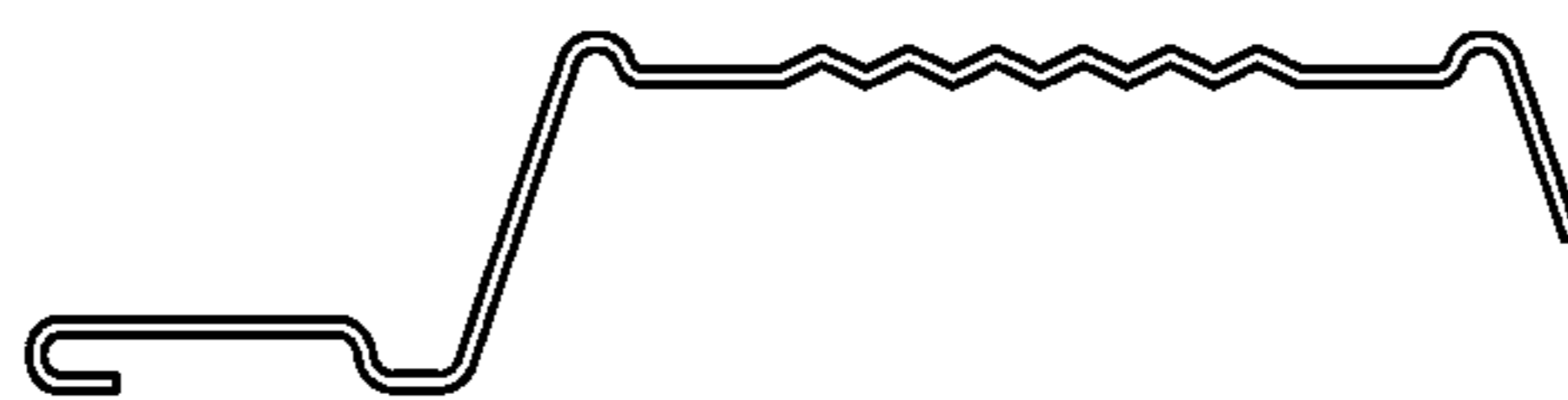


FIG. 3

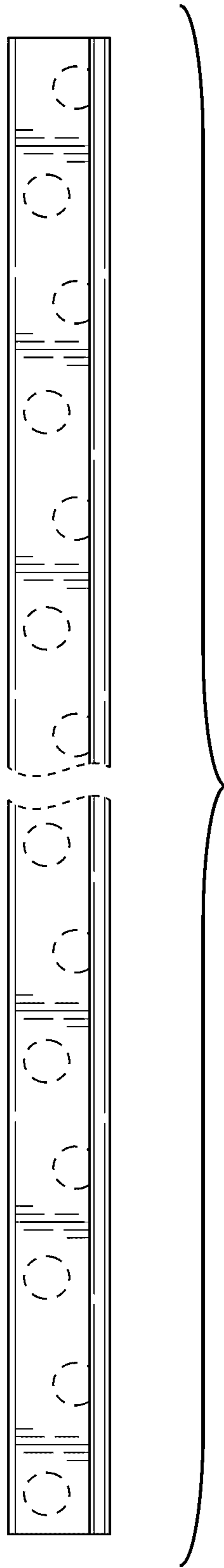


FIG. 4

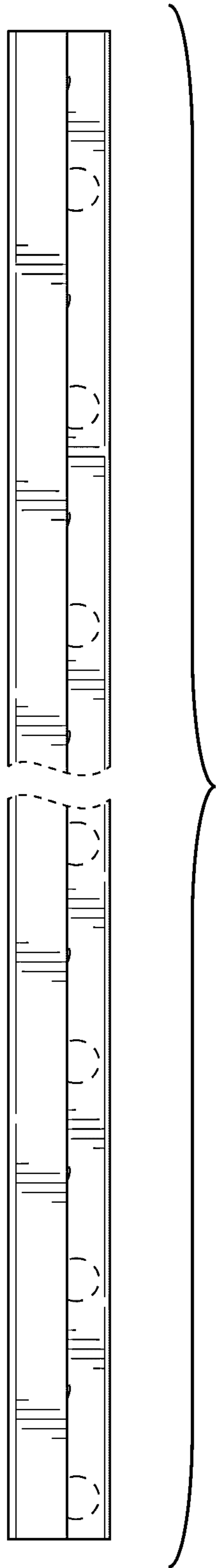


FIG. 5

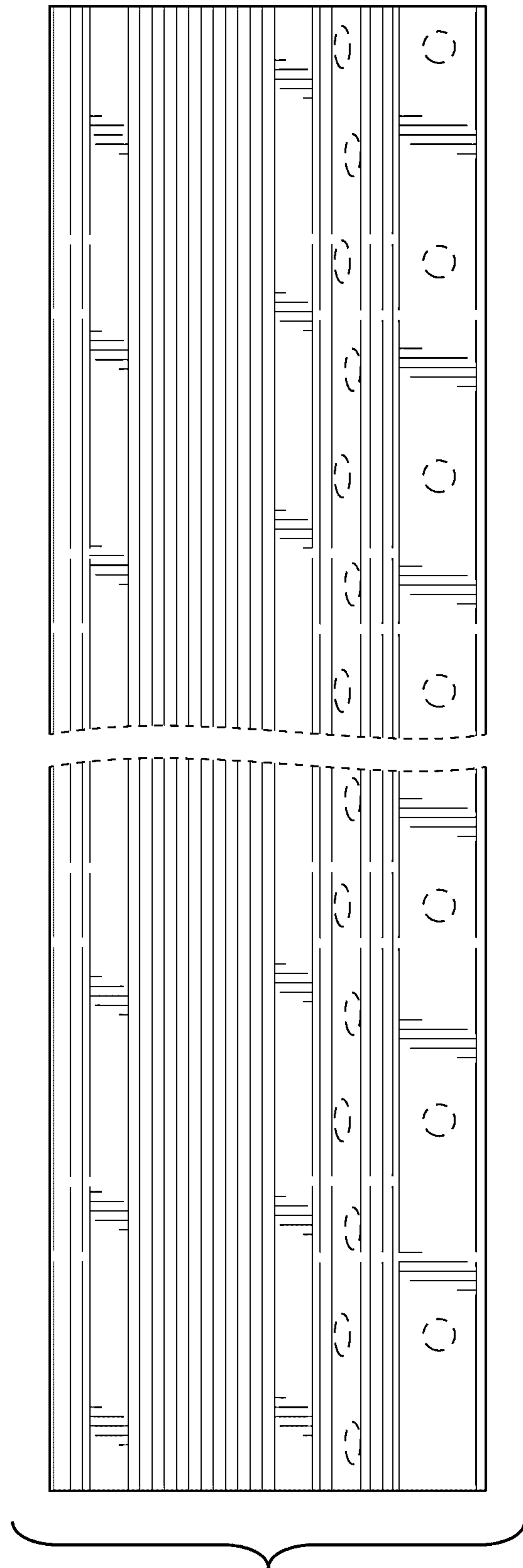


FIG. 6

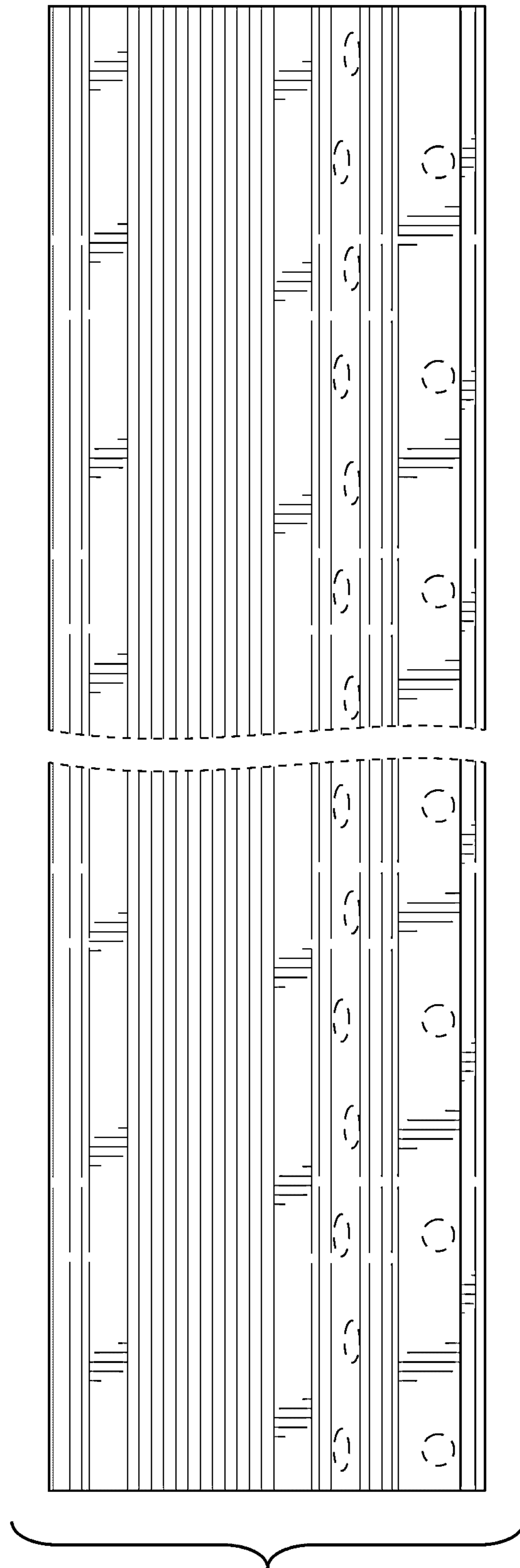


FIG. 7