



US00D985796S

(12) **United States Design Patent** (10) **Patent No.:** **US D985,796 S**  
**Qiao** (45) **Date of Patent:** **\*\* May 9, 2023**

(54) **EYE MASSAGER**

(71) Applicant: **Xi Lu Qiao**, Guangzhou Guangdong (CN)

(72) Inventor: **Xi Lu Qiao**, Guangzhou Guangdong (CN)

(73) Assignee: **REESTAR INTERNATIONAL LIMITED**, Kowloon (HK)

(\*\*) Term: **15 Years**

(21) Appl. No.: **29/815,610**

(22) Filed: **Nov. 15, 2021**

(51) **LOC (14) Cl.** ..... **24-01**

(52) **U.S. Cl.**  
USPC ..... **D24/215**

(58) **Field of Classification Search**  
USPC ..... D16/310, 312, 320, 324; D24/191, 200, D24/211, 212, 213, 214, 215; D29/105, D29/106, 108, 110  
CPC ..... A61H 2205/062; A61H 2201/1609; A61H 2201/0207; A61H 2205/04  
See application file for complete search history.

(56) **References Cited**

**U.S. PATENT DOCUMENTS**

D250,835 S	*	1/1979	Grube	.....	D6/716.4
D739,543 S		9/2015	Ma		
D765,870 S		9/2016	Sedic		
D799,711 S		10/2017	Sedic		
D806,258 S		12/2017	Sedic		
D841,179 S	*	2/2019	Ma	.....	D24/215
D884,913 S		5/2020	Peng		
D888,263 S	*	6/2020	Du	.....	D24/215
D895,830 S	*	9/2020	Nakamura	.....	D16/303
D901,033 S	*	11/2020	Liang	.....	D24/211
D903,139 S	*	11/2020	Liang	.....	D24/215
D905,259 S		12/2020	Wang		
D905,266 S	*	12/2020	Liu	.....	D24/215
D910,869 S		2/2021	Xiong		

D911,542 S	*	2/2021	Zhang	.....	D24/215
D915,610 S	*	4/2021	Onarheim	.....	D24/200
D921,214 S	*	6/2021	Wu	.....	D24/215
D926,336 S	*	7/2021	Zhang	.....	D24/215
D928,335 S	*	8/2021	Ma	.....	D24/215
D976,995 S	*	1/2023	He	.....	D16/300

**OTHER PUBLICATIONS**

Amazon, "Renpho Eye Massager", Earliest Review date: Oct. 26, 2021. <https://www.amazon.co.uk/Semiconductor-RENPHO-Massager-Circulation-Compress/dp/B097RB9WWQ>. Shown on pp. 1 and 2. (Year: 2021).\*

Bestbuy, "Eye Care Device", Access dated: Aug. 3, 2022. <https://www.bestbuy.ca/en-ca/product/eye-mask-with-heat-and-cooling-eye-spa-renpho-eye-care-device-eye-mask-rechargeable-4-modes-apply-cold-and-heat-circulation-to-eye-compress-eye-beauty-relax-eyes-delay-eye-aging-reduce-puffy-eye/15970843>. (Year: 2022).\*

\* cited by examiner

*Primary Examiner* — Michael A Maharajh

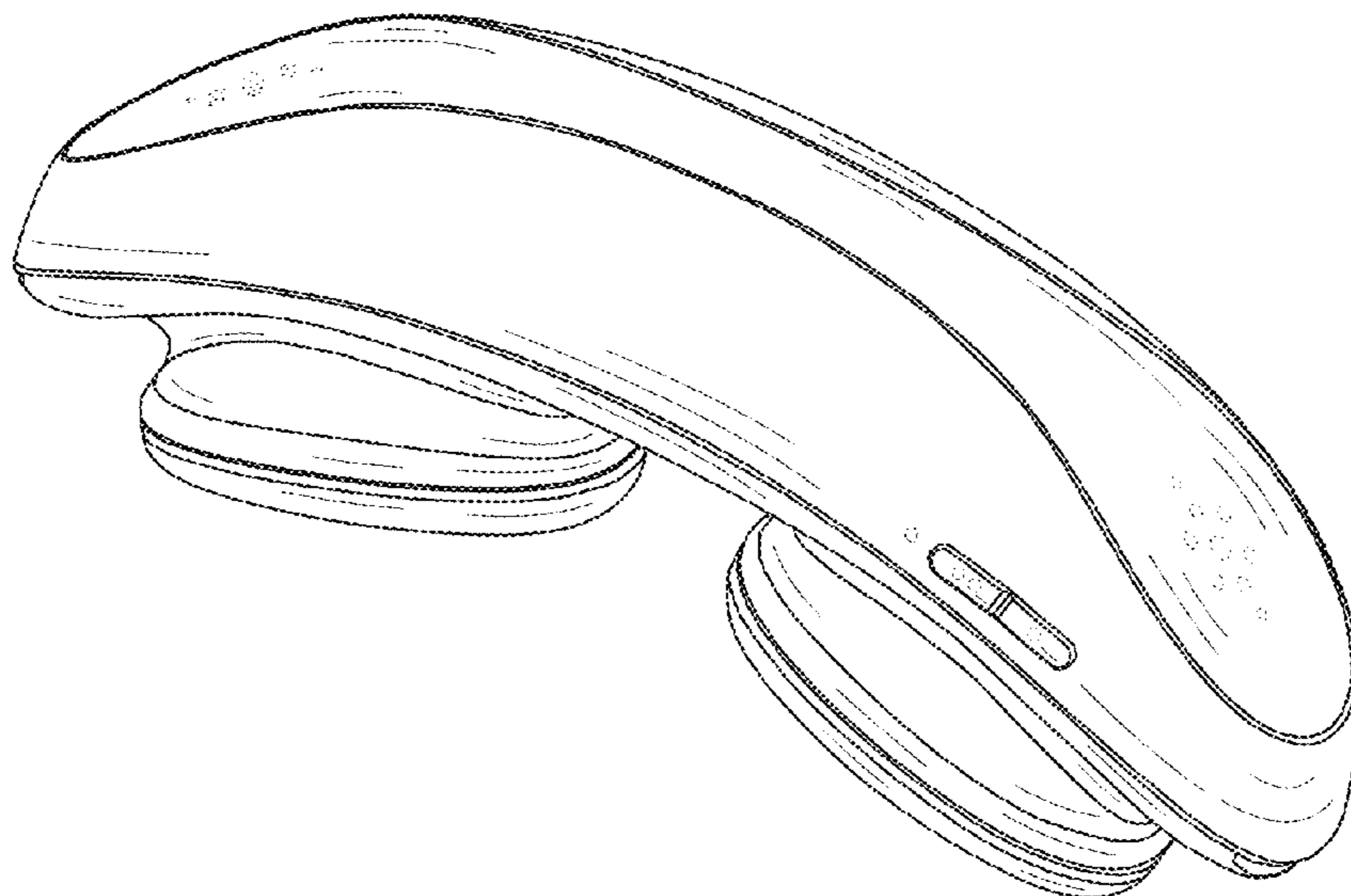
(57) **CLAIM**

The ornamental design for an eye massager, as shown and described.

**DESCRIPTION**

FIG. 1 is a front perspective view of an eye massager according to the present invention; FIG. 2 is a rear perspective view thereof; FIG. 3 is a front elevation view thereof; FIG. 4 is a rear elevation view thereof; FIG. 5 is a left side view thereof; FIG. 6 is a right side view thereof; FIG. 7 is an enlarged top plan view thereof; and, FIG. 8 is an enlarged bottom plan view thereof. The broken lines in the drawings are for the purpose of illustrating portions of the eye massager that form no part of the claimed design.

**1 Claim, 7 Drawing Sheets**



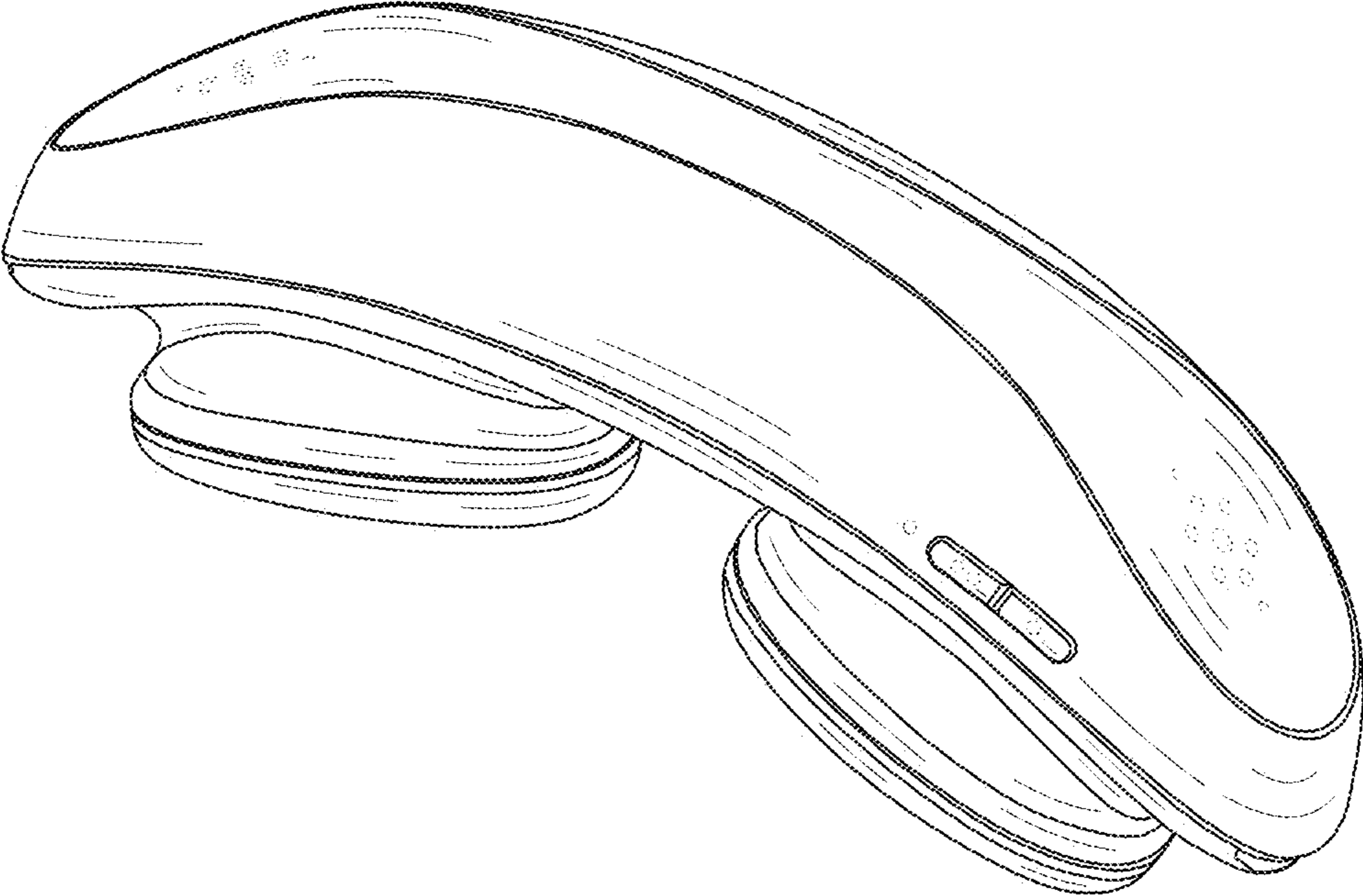


FIG. 1

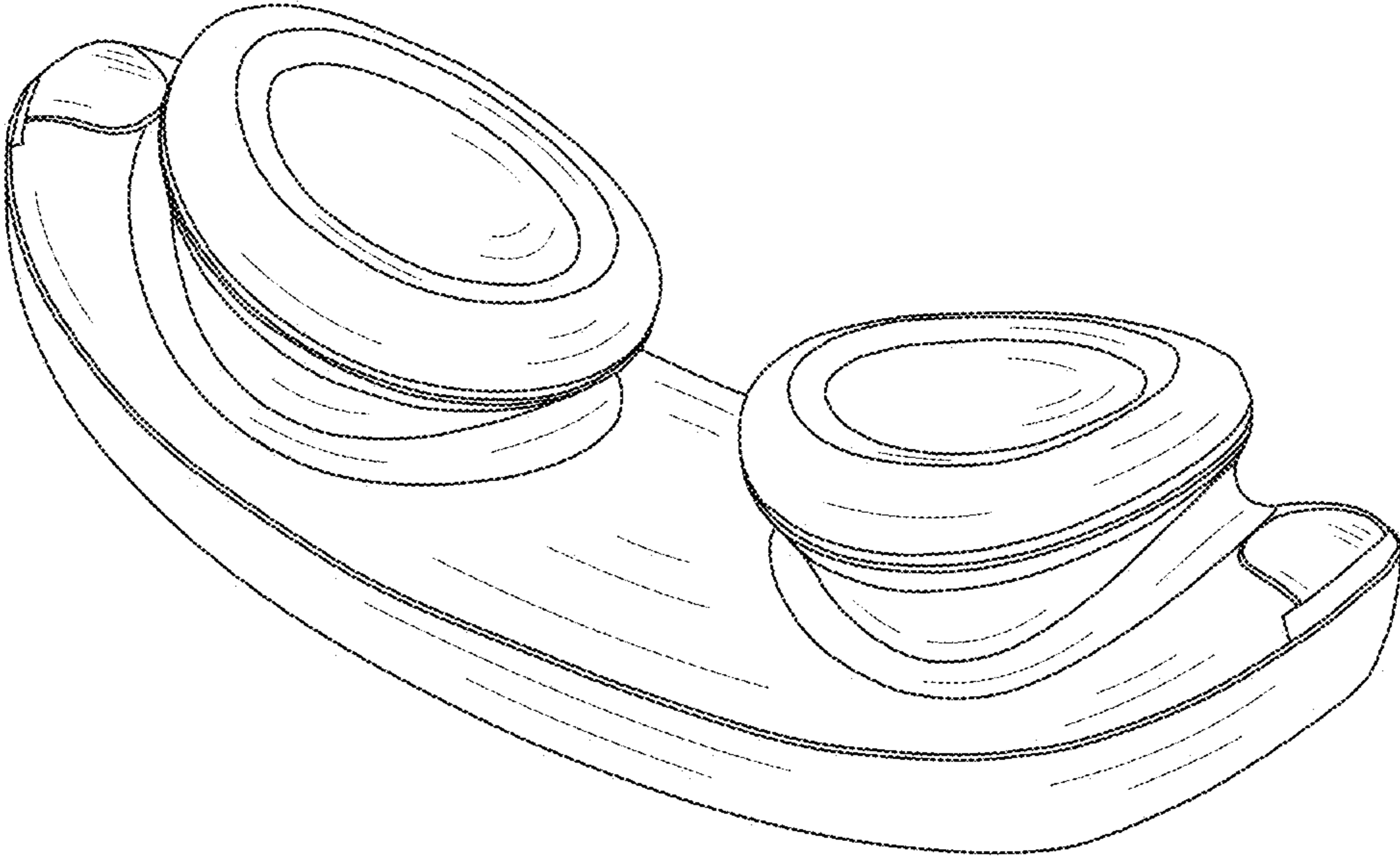


FIG. 2

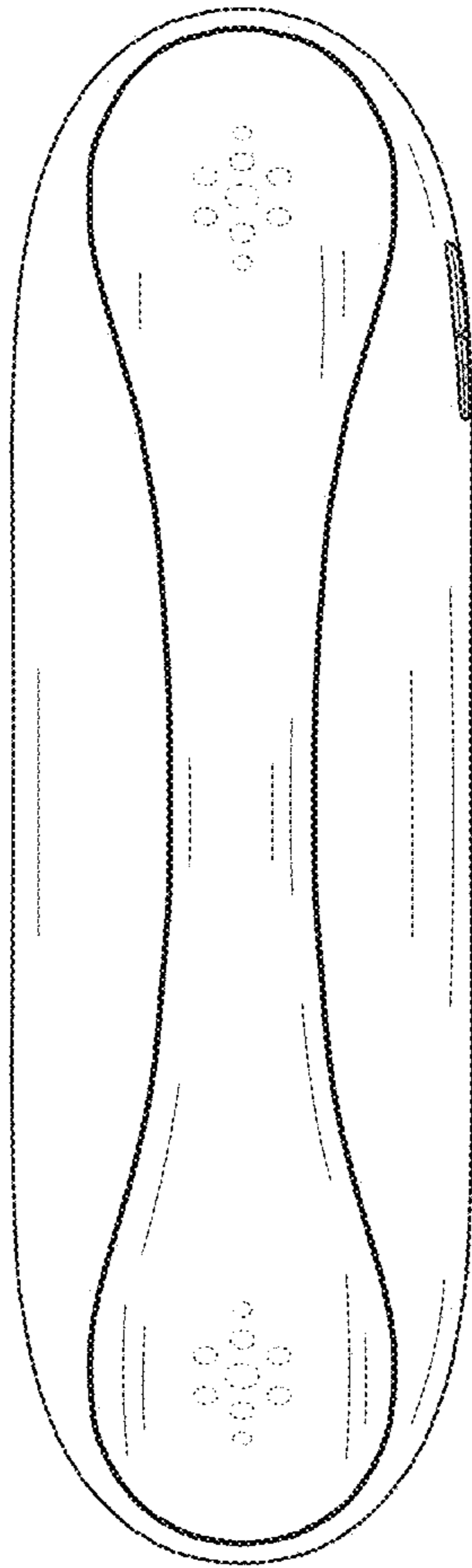


FIG. 3

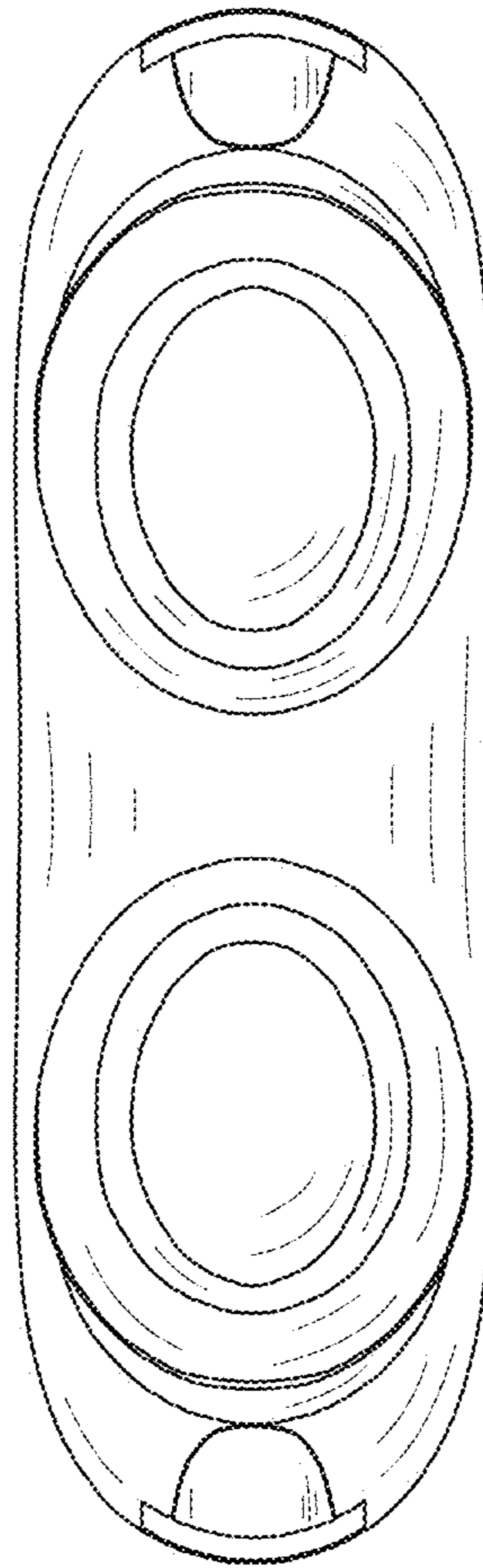


FIG. 4

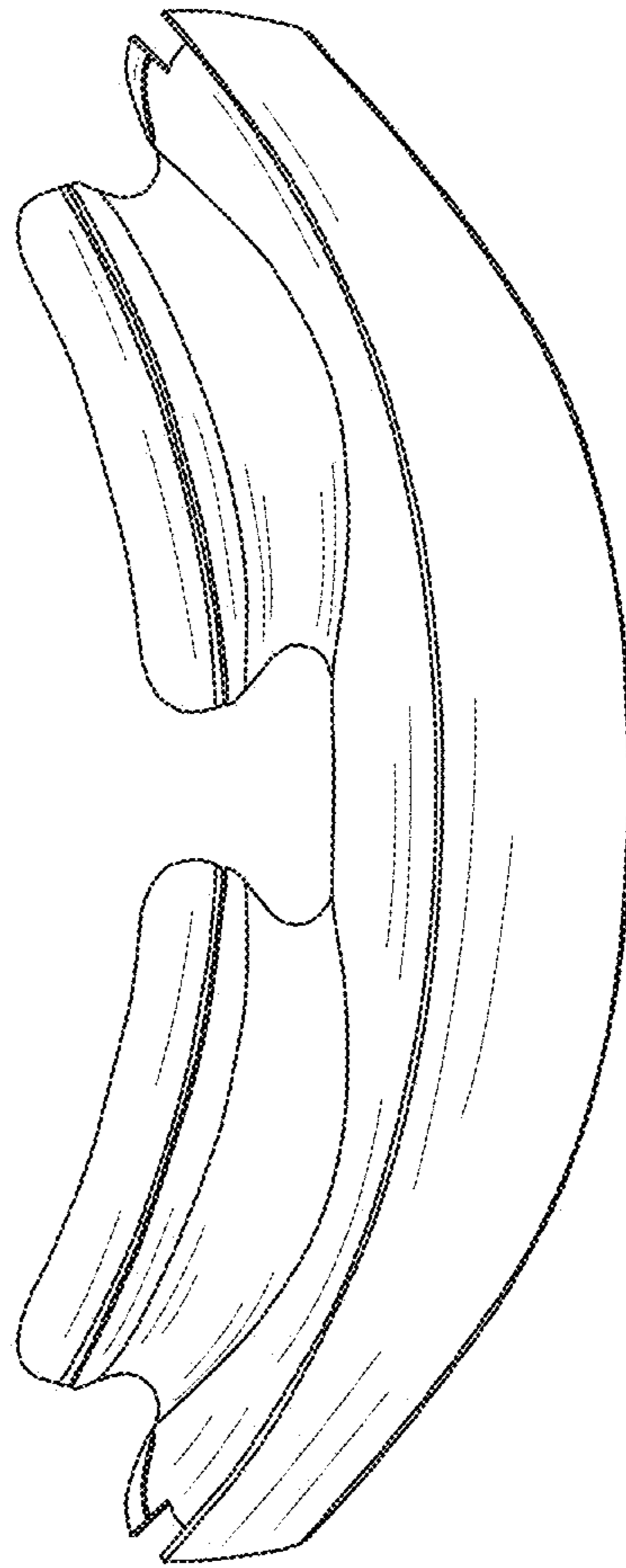


FIG. 5

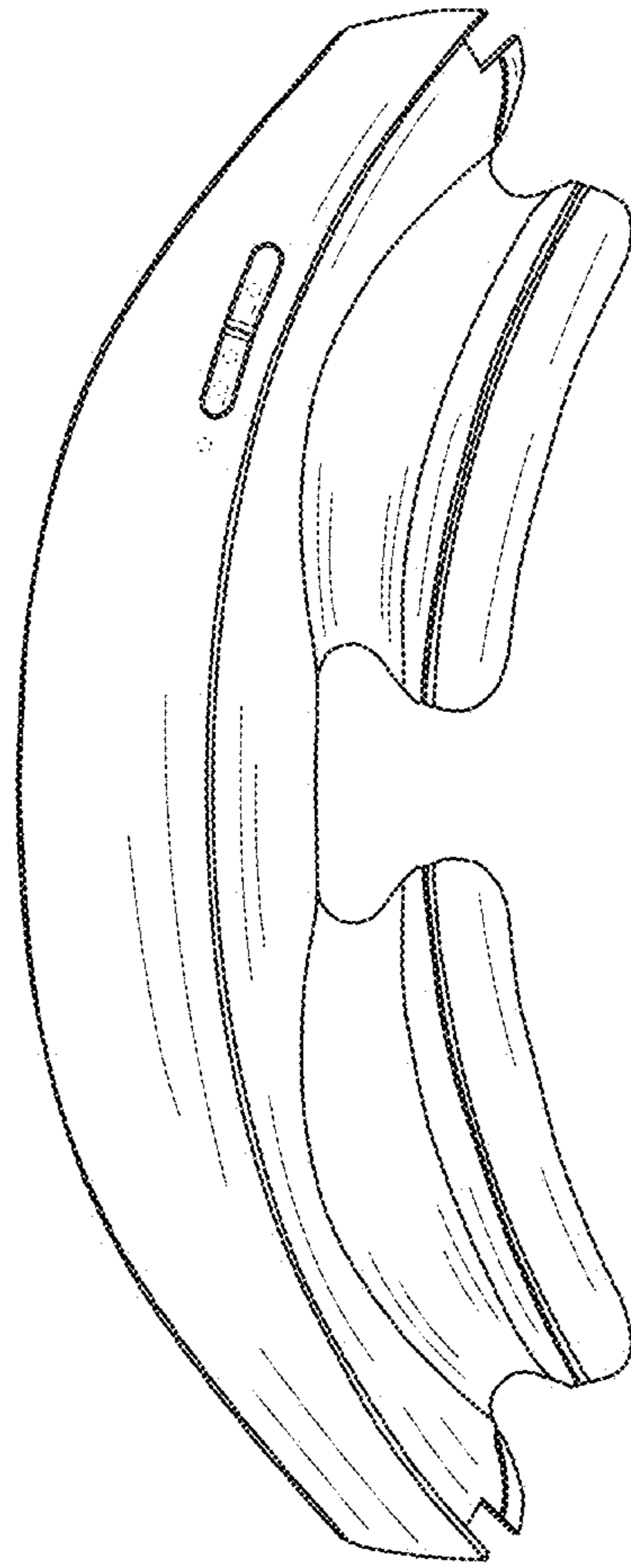


FIG. 6

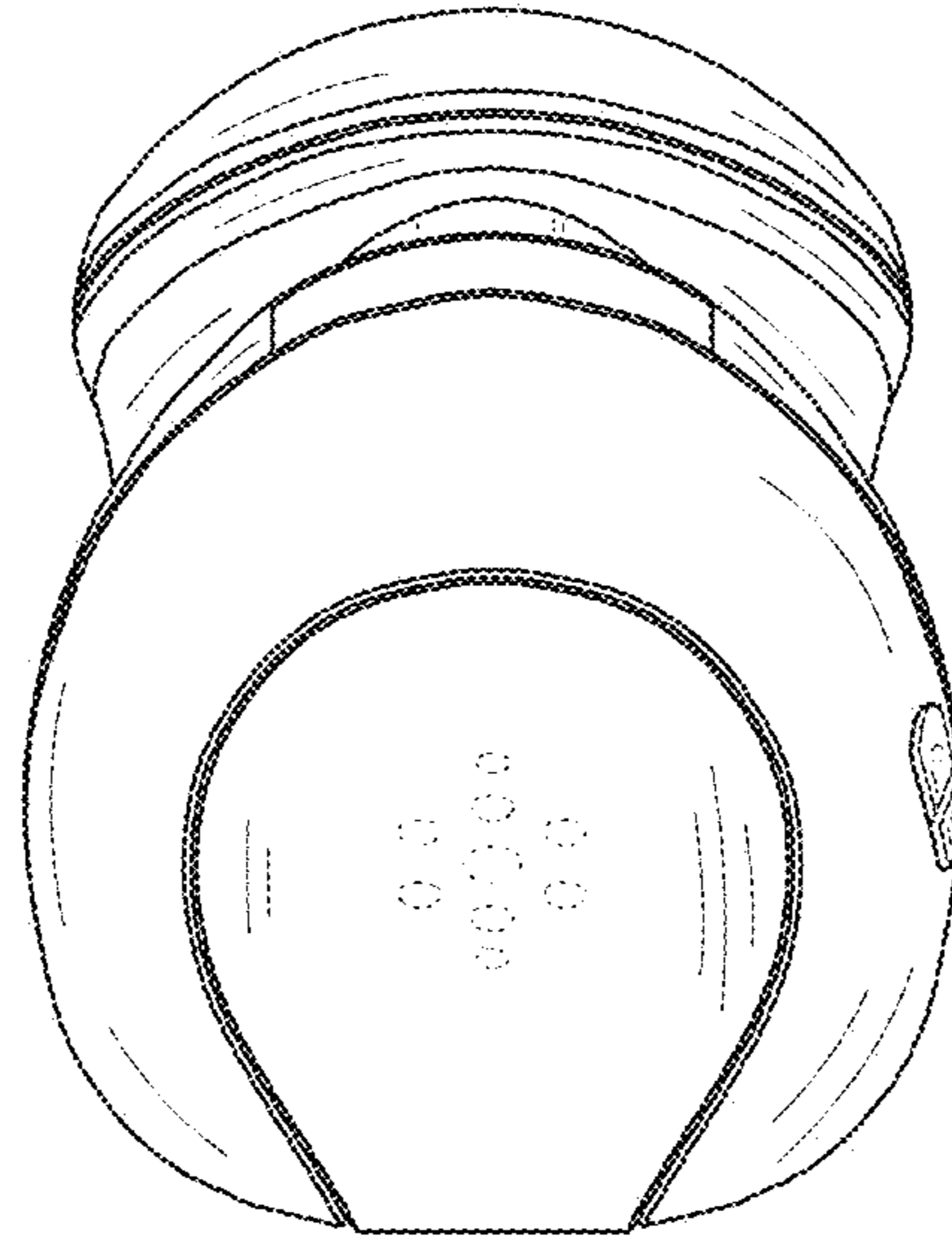


FIG. 7

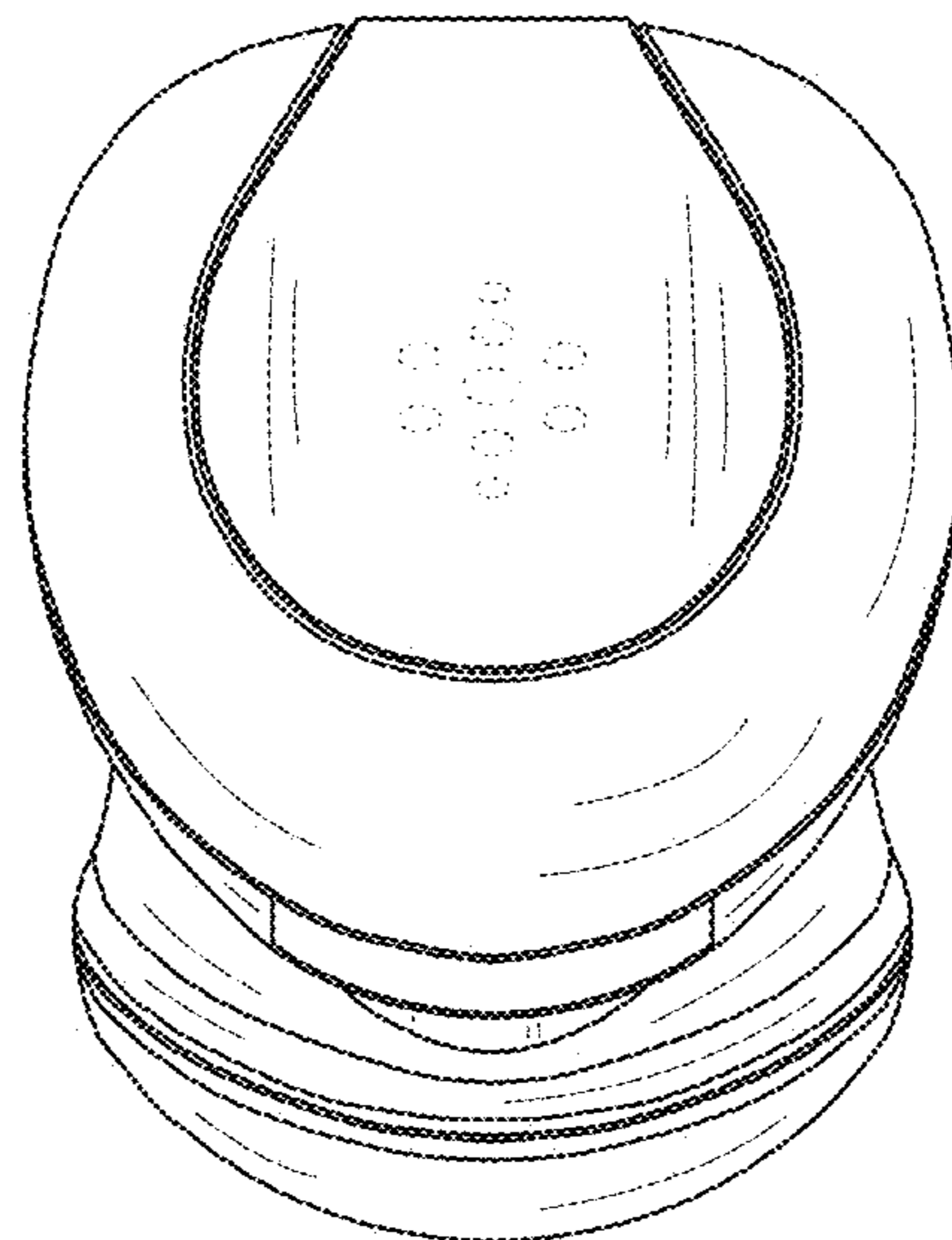


FIG. 8