



US00D985795S

(12) **United States Design Patent** (10) **Patent No.:** **US D985,795 S**
Yu (45) **Date of Patent:** **** May 9, 2023**

(54) **MESSAGE GUN**
(71) Applicant: **Yongkang Chengge Industry and Trade Co., Ltd., Zhejiang (CN)**
(72) Inventor: **Zicheng Yu, Jiangxi (CN)**
(73) Assignee: **Yongkang Chengge Industry and Trade Co., Ltd., Zhejiang (CN)**
(**) Term: **15 Years**
(21) Appl. No.: **29/800,267**
(22) Filed: **Jul. 20, 2021**
(51) **LOC (14) Cl.** **24-01**
(52) **U.S. Cl.**
USPC **D24/215**
(58) **Field of Classification Search**
USPC D24/200, 211, 212, 213, 214, 215;
D8/14.1; D28/13
CPC A61H 23/006; A61H 7/005; A61H
2201/0153; A61H 2201/0157; A61H
23/00; A61H 15/0085
See application file for complete search history.

(56) **References Cited**

U.S. PATENT DOCUMENTS

D855,822 S *	8/2019	Marton	D24/215
D895,831 S *	9/2020	Chen	D24/215
D907,230 S *	1/2021	Zhang	D24/215
D923,188 S *	6/2021	Xu	D24/211
D923,194 S *	6/2021	Xu	D24/215
D926,333 S *	7/2021	Zhang	D24/215
D928,338 S *	8/2021	Hu	D24/215
D932,039 S *	9/2021	Yu	D24/215
D933,845 S *	10/2021	Zheng	D24/215
D934,440 S *	10/2021	Zheng	D24/214
D934,441 S *	10/2021	Zhang	D24/215
D935,636 S *	11/2021	Luo	D24/215
D935,637 S *	11/2021	Li	D24/215
D938,056 S *	12/2021	Wu	D24/215
D939,103 S *	12/2021	Xu	D24/215

D945,007 S *	3/2022	Liu	D24/215
D948,068 S *	4/2022	Xu	D24/215
D949,379 S *	4/2022	Xu	D24/215
D949,381 S *	4/2022	Kong	D24/215
D949,384 S *	4/2022	Liang	D24/215

(Continued)

OTHER PUBLICATIONS

Amazon, "Mloertoy Massage Gun", Date First Available: Jul. 30, 2022. https://www.amazon.com/mloertoy-Athletes-Professional-Massager-M20/dp/B0B8227N2R/ref=cm_cr_arp_d_product_top?ie=UTF8&th=1 (Year: 2022).*

Primary Examiner — Michael A Maharajh

(74) *Attorney, Agent, or Firm* — ScienBiziP, P.C.

(57) **CLAIM**

The ornamental design for a massage gun, as shown and described.

DESCRIPTION

FIG. 1 is a front, left, and top perspective view of a massage gun, showing my design.

FIG. 2 is a rear, right, and bottom perspective view thereof.

FIG. 3 is a front elevation view thereof.

FIG. 4 is a rear elevation view thereof.

FIG. 5 is a left side elevation view thereof.

FIG. 6 is a right side elevation view thereof.

FIG. 7 is a top plan view thereof.

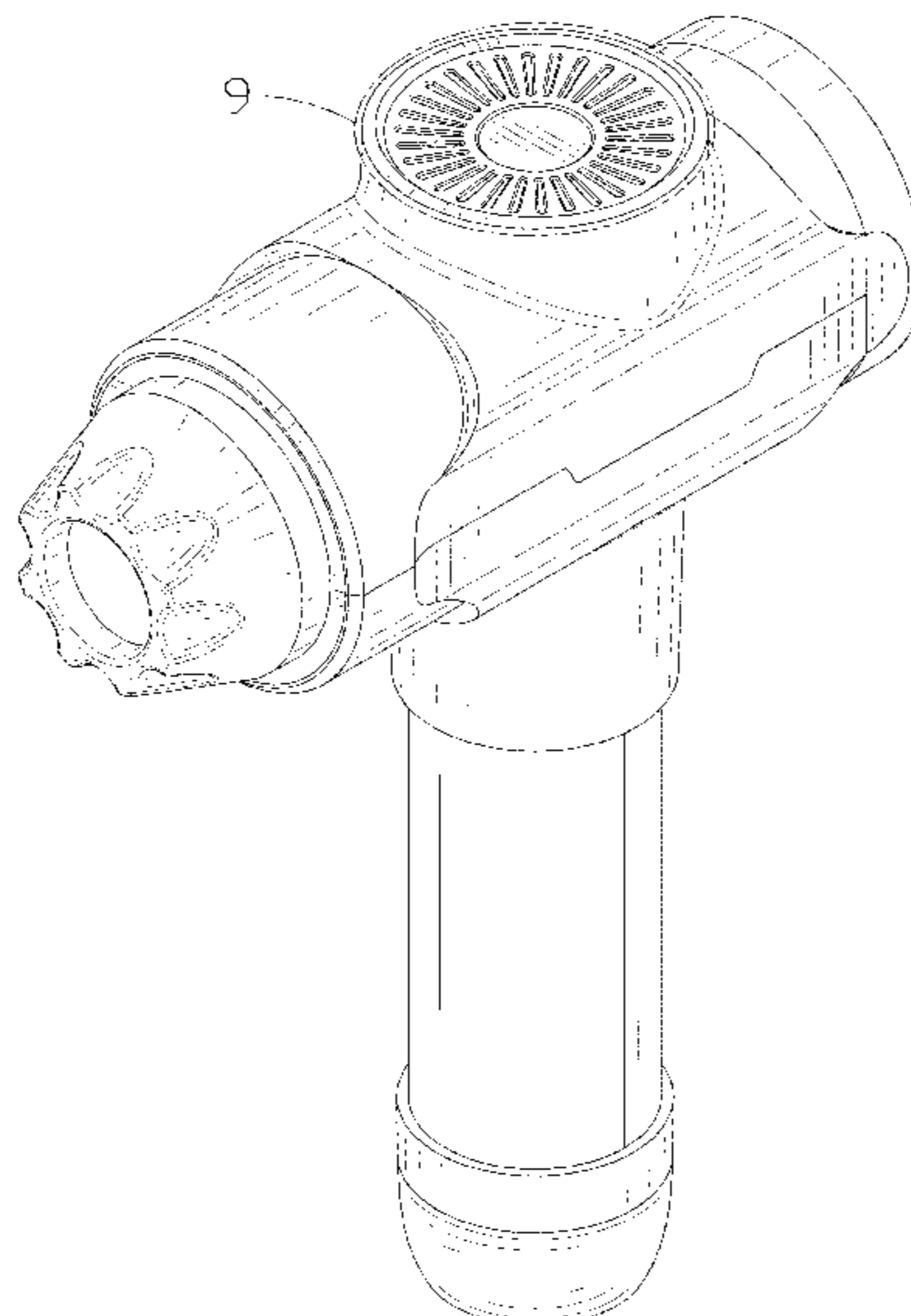
FIG. 8 is a bottom plan view thereof; and,

FIG. 9 is a partial enlarged view of an area labeled 9 in FIG. 1 comprising an air intake.

The broken lines shown in the drawings are included for the purpose of illustrating portions of the massage gun that form no part of the claimed design.

The dash-dot broken lines shown in FIGS. 1 and 9 are for the purpose of showing enlarged areas, and form no part of the claimed design.

1 Claim, 9 Drawing Sheets



(56)

References Cited

U.S. PATENT DOCUMENTS

D958,392 S * 7/2022 Meng D24/215
D972,159 S * 12/2022 Yu D24/215

* cited by examiner

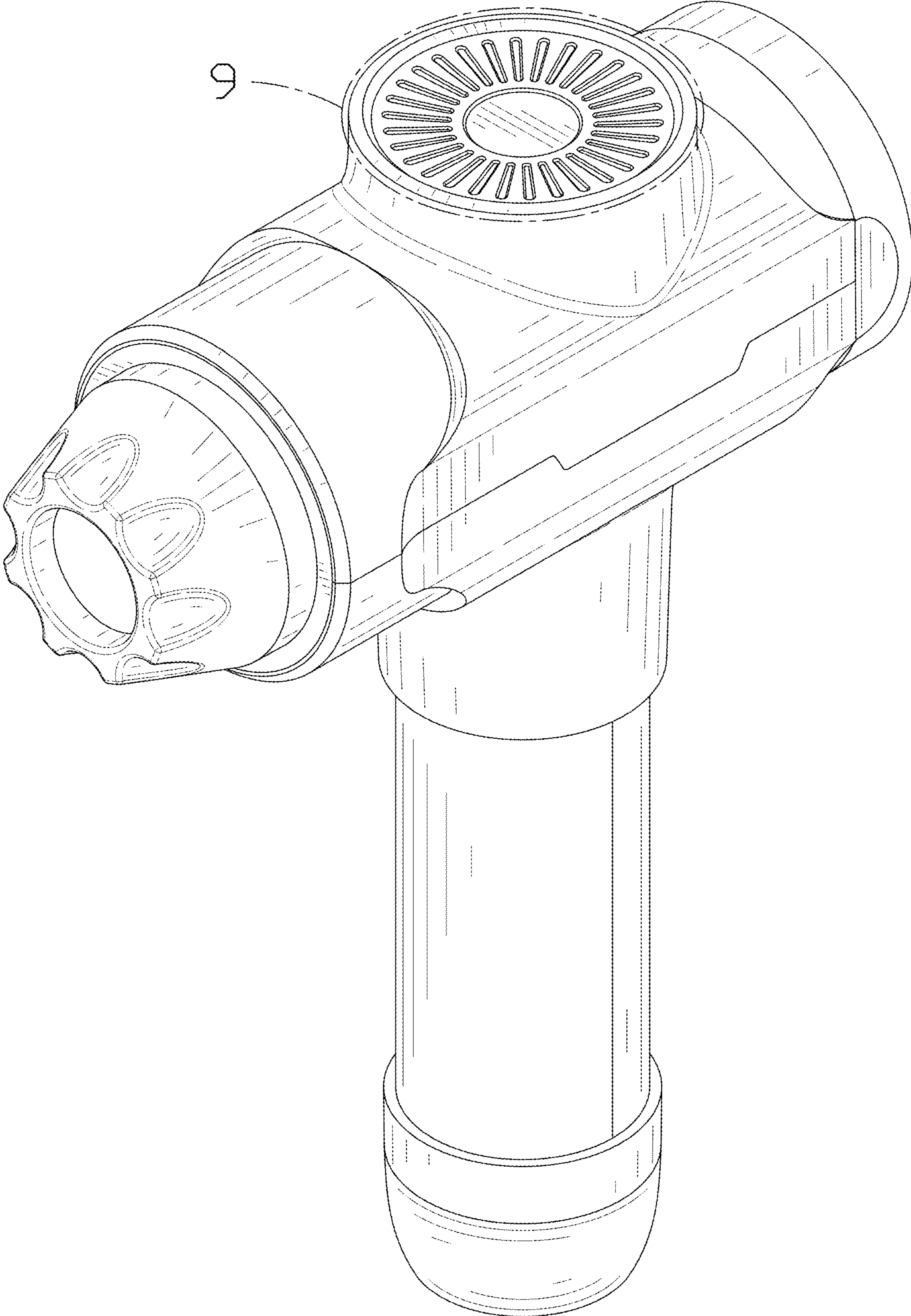


FIG. 1

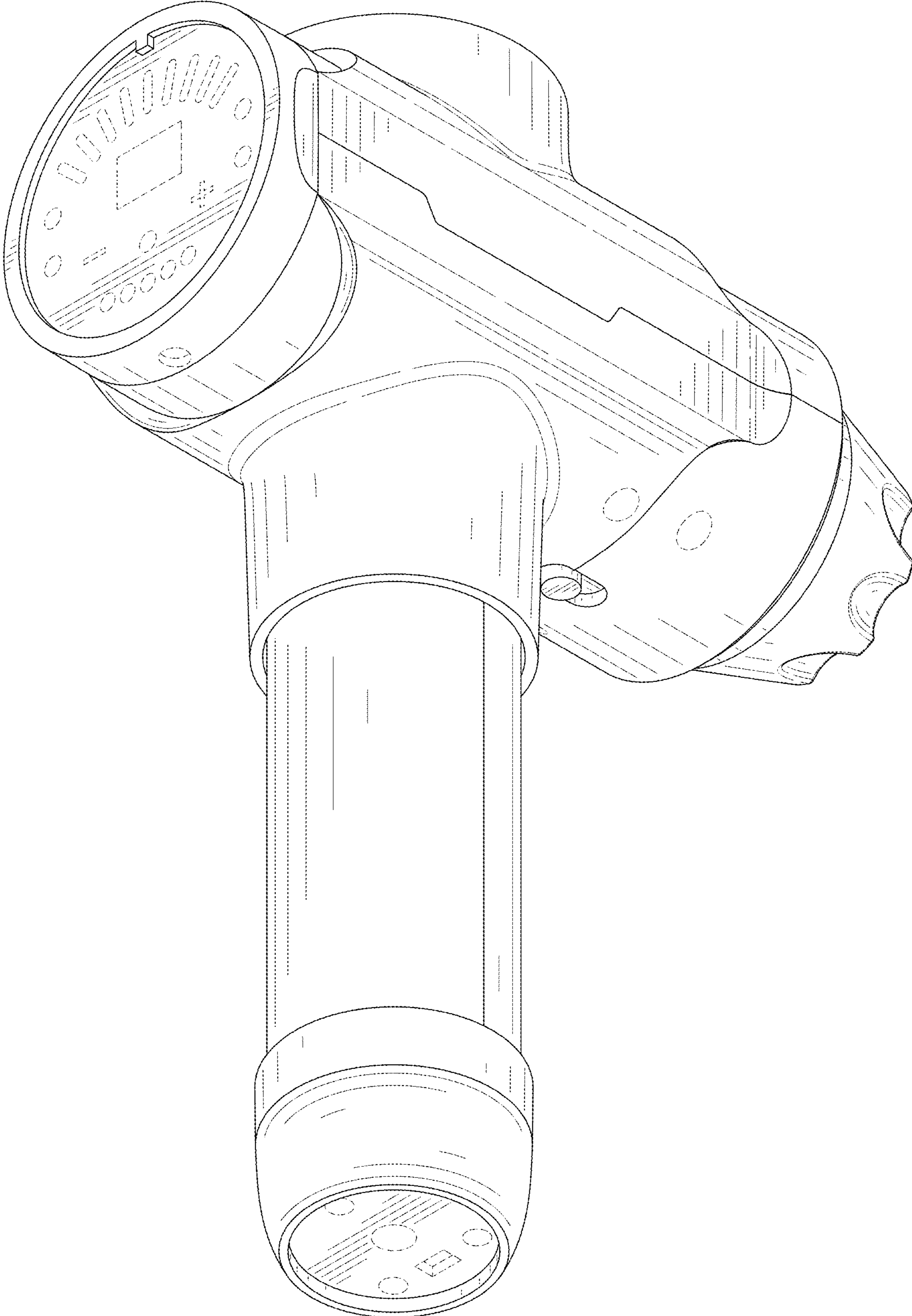


FIG. 2

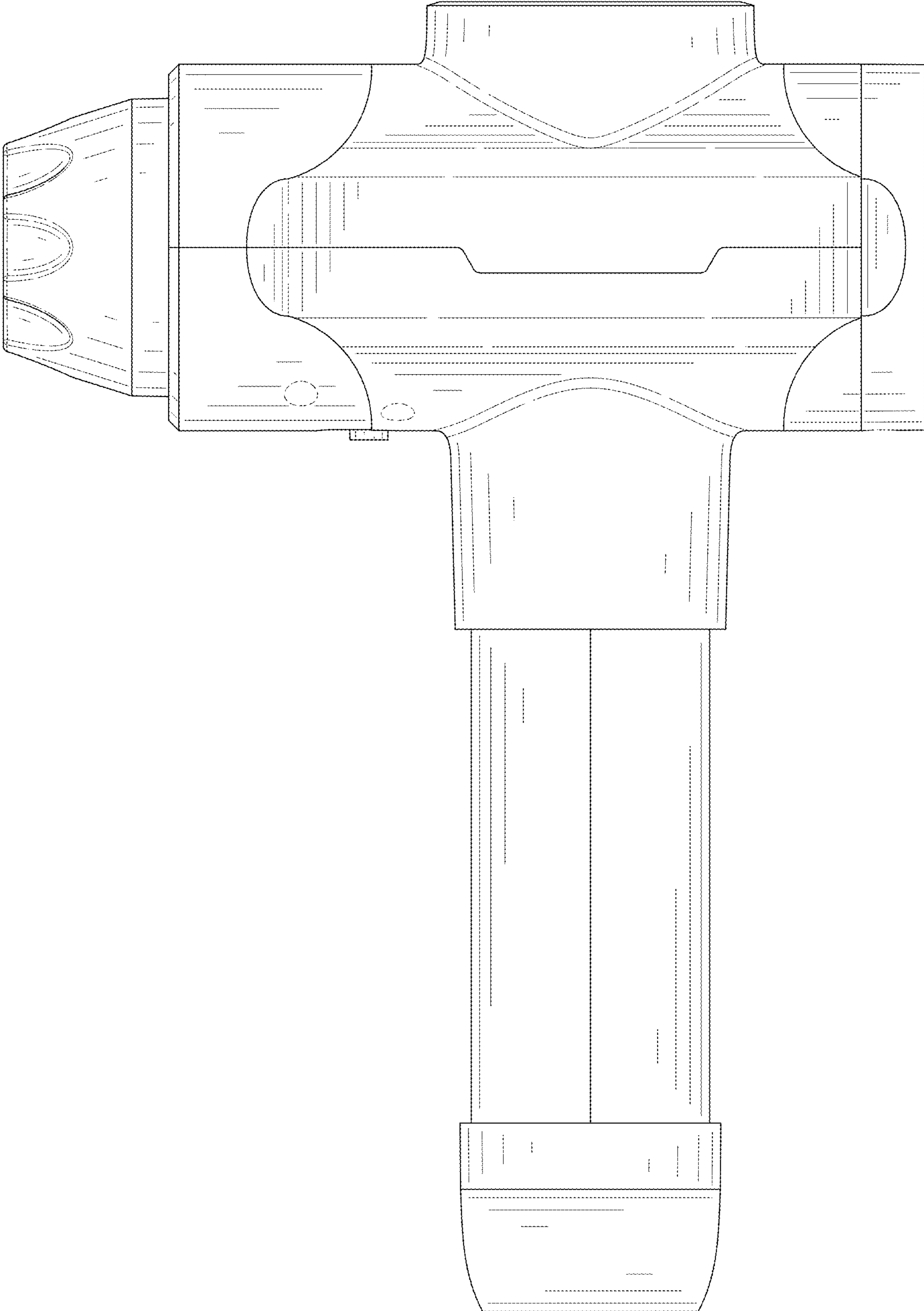


FIG. 3

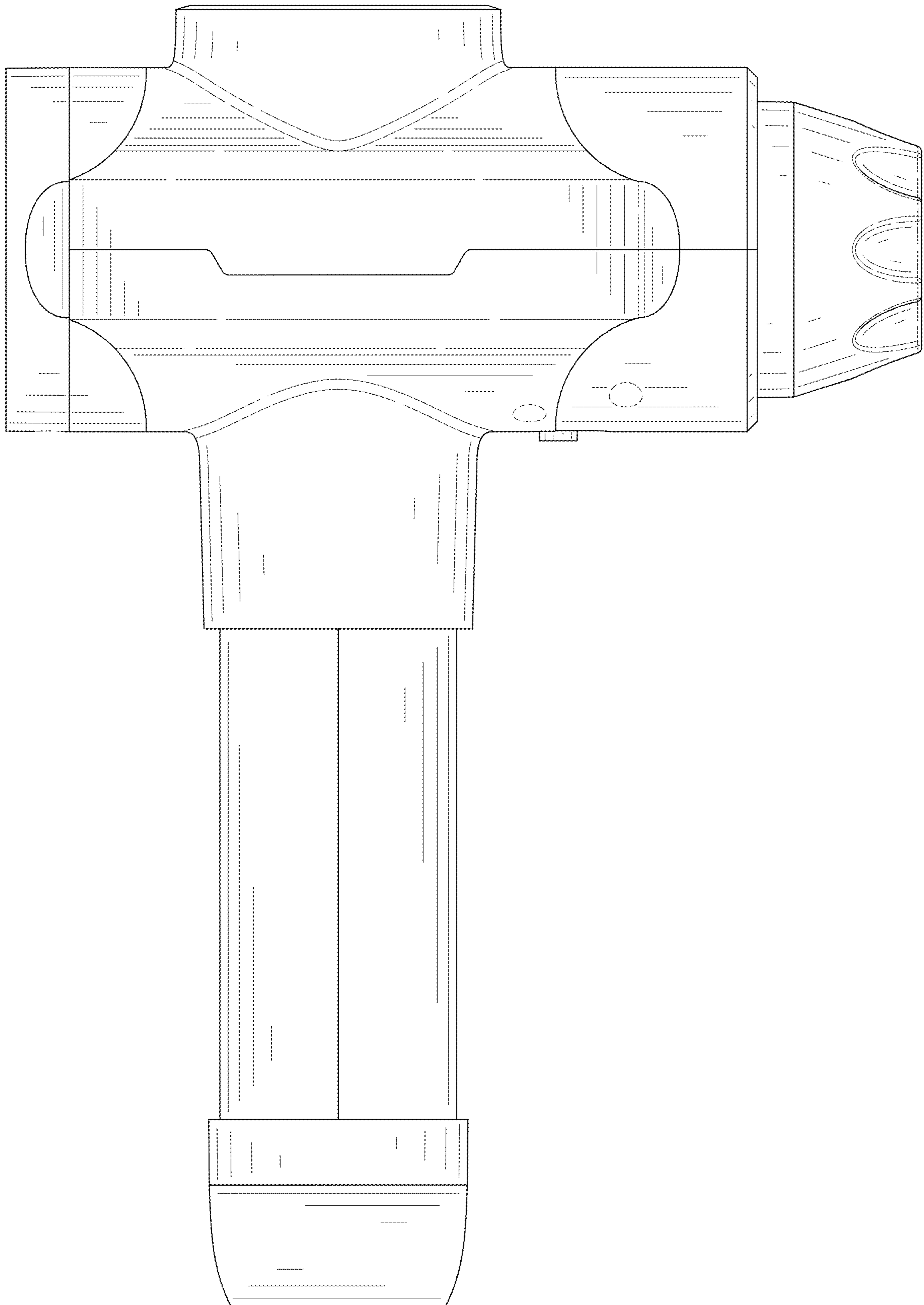


FIG. 4

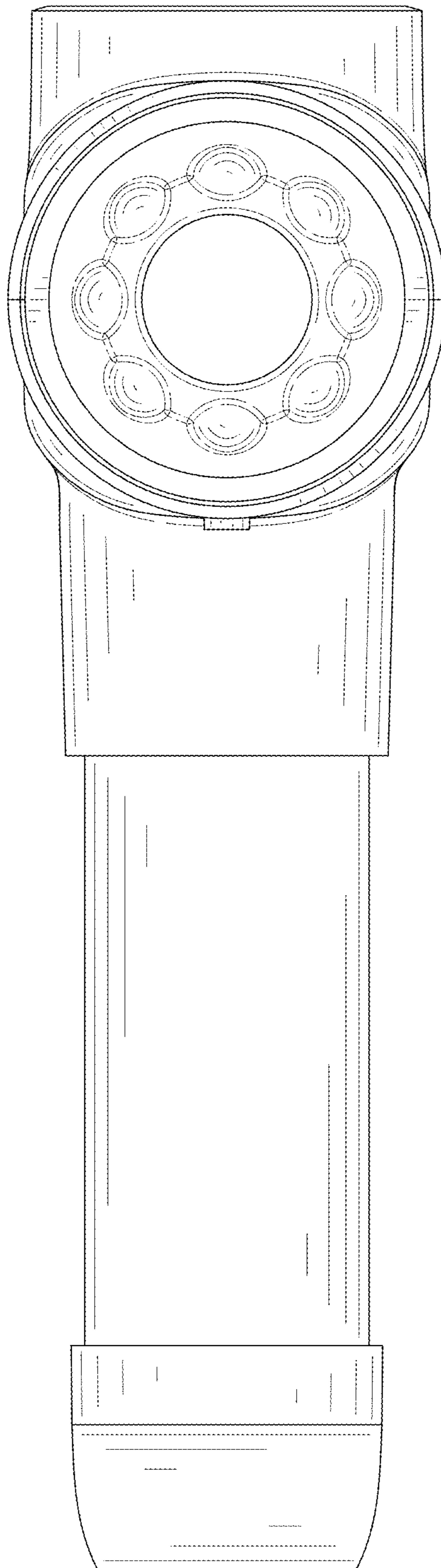


FIG. 5

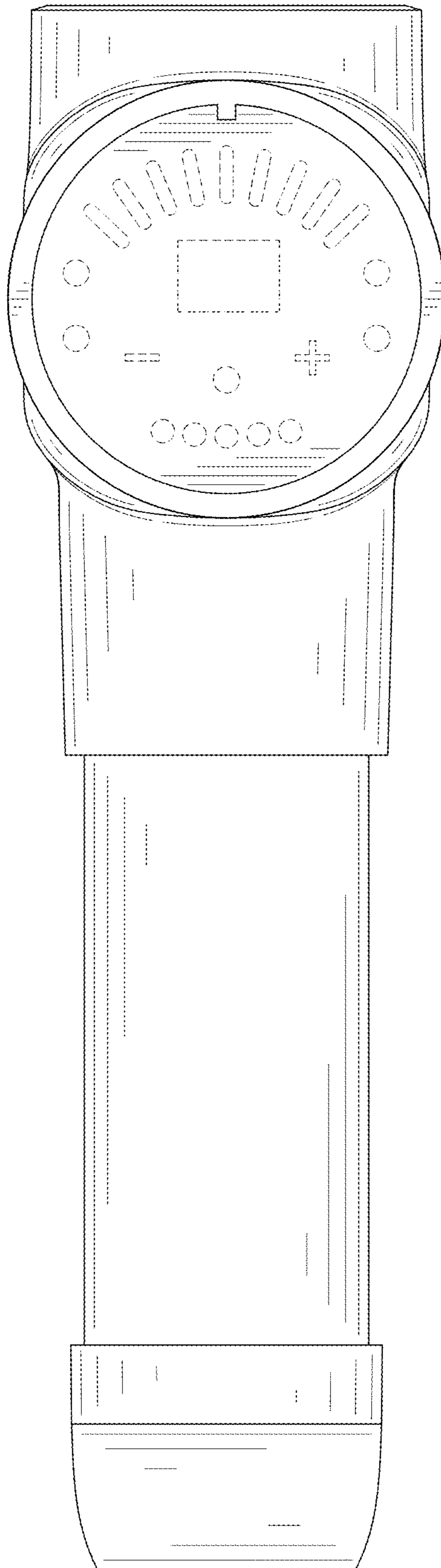


FIG. 6

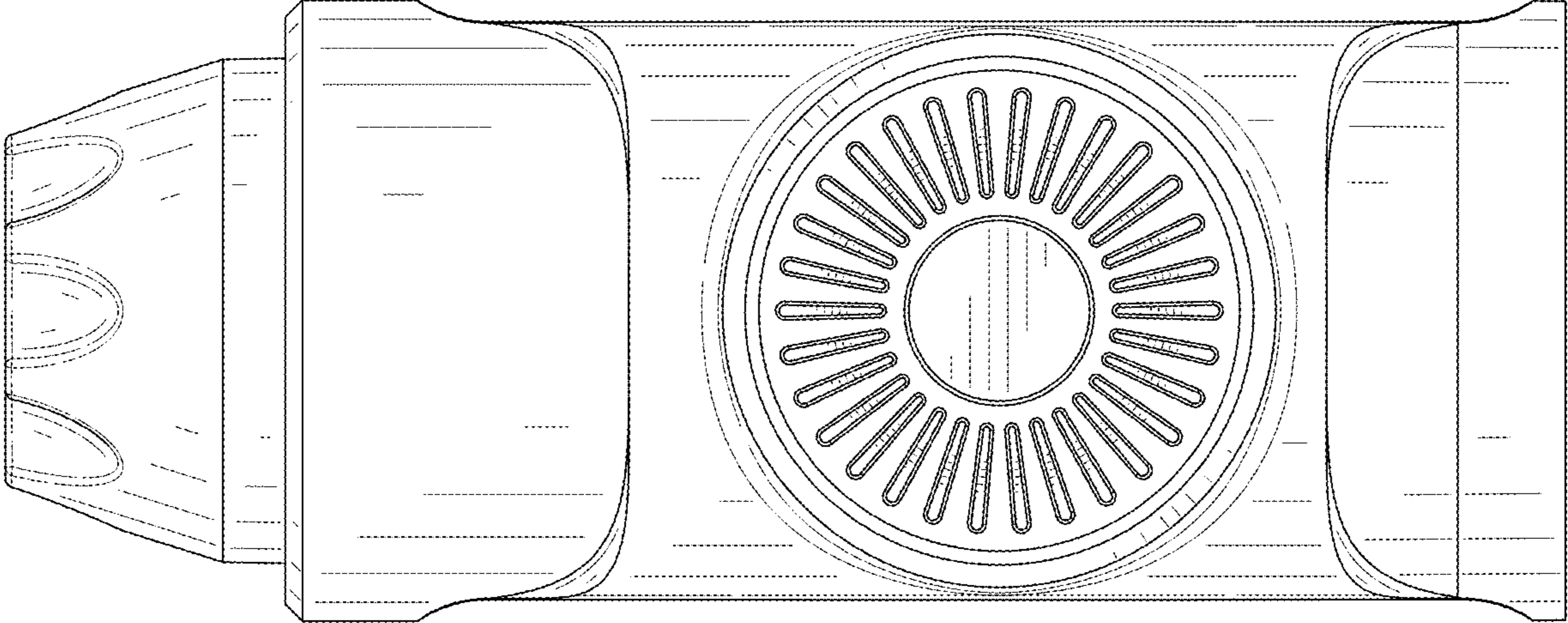


FIG. 7

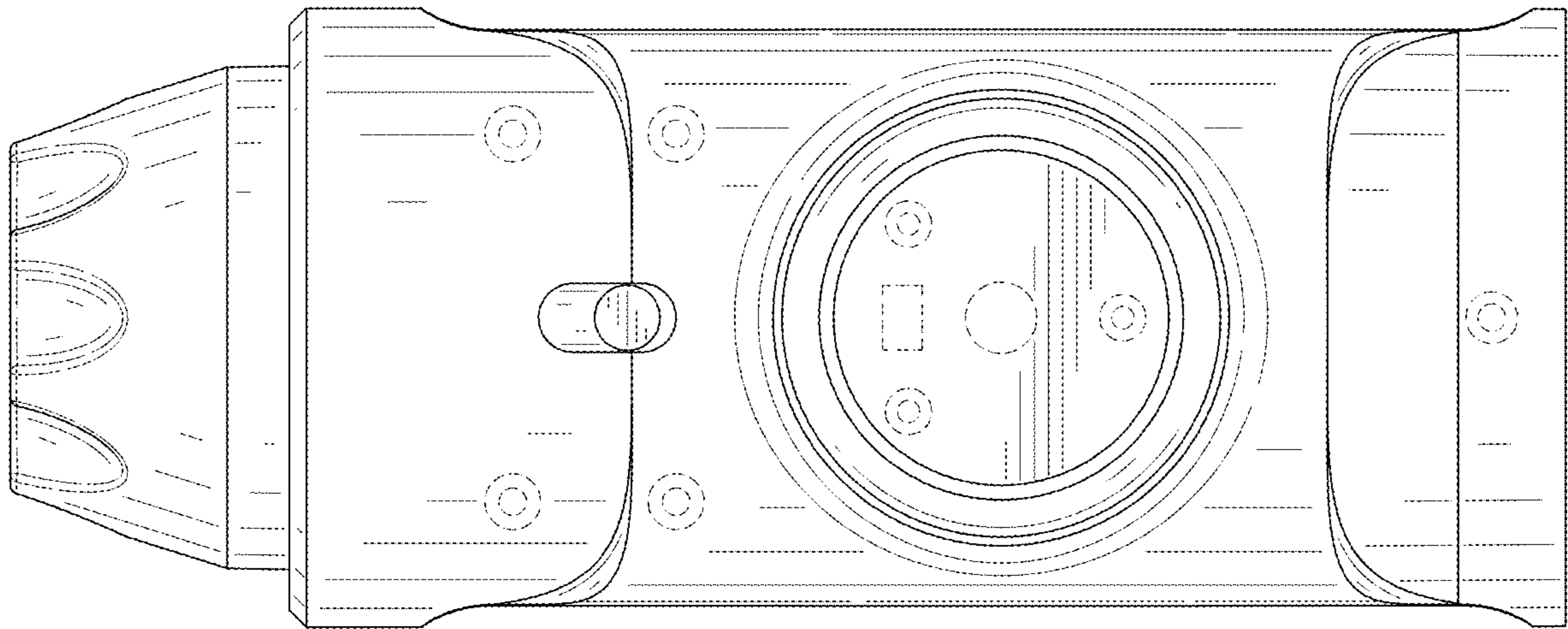


FIG. 8

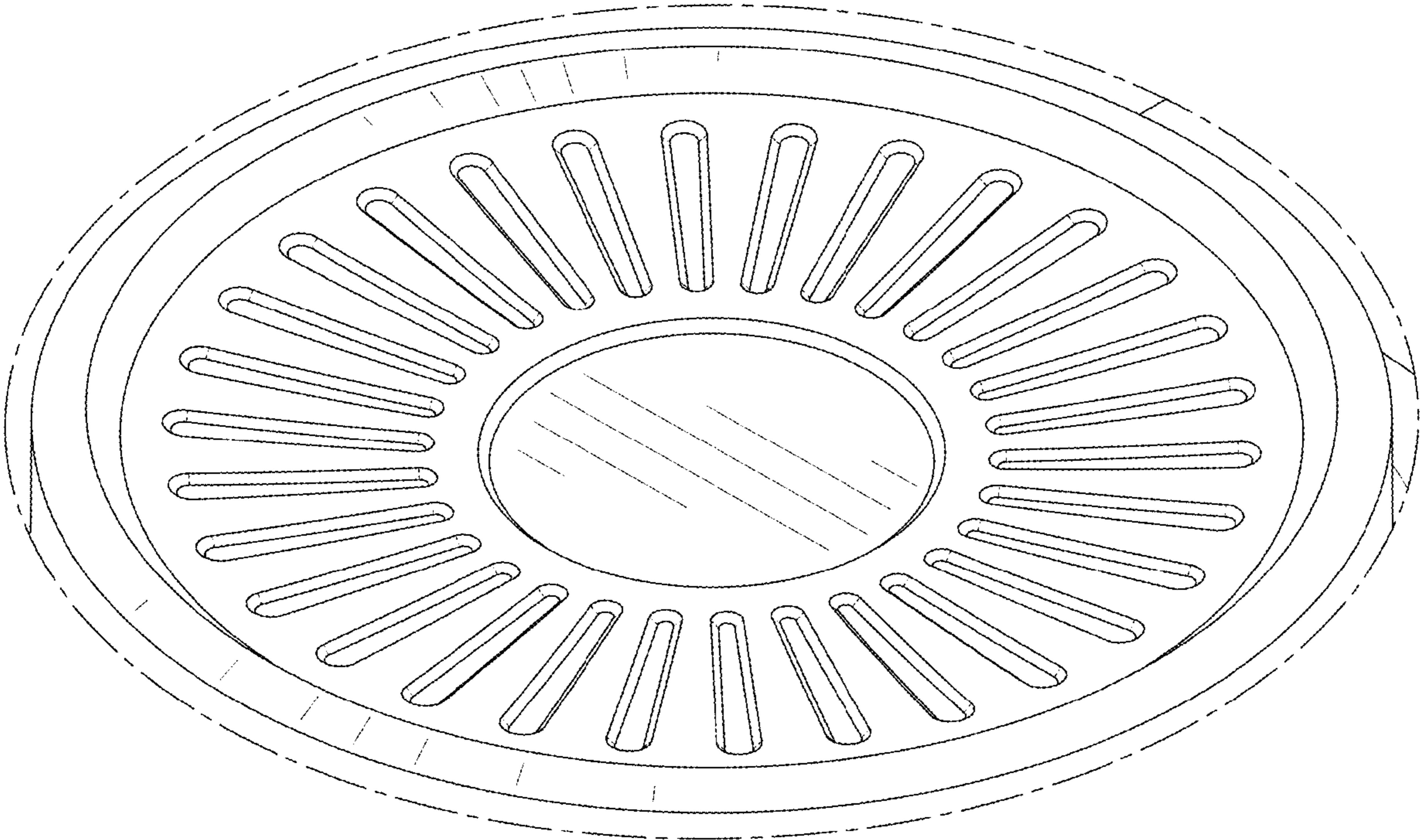


FIG. 9