



US00D985794S

(12) **United States Design Patent** (10) **Patent No.:** **US D985,794 S**  
**Espinal et al.** (45) **Date of Patent:** **\*\* May 9, 2023**

(54) **SCALP SCRATCHER**

(71) Applicants: **Demia Espinal**, Murfreesboro, TN  
(US); **David Espinal**, Murfreesboro, TN  
(US)

(72) Inventors: **Demia Espinal**, Murfreesboro, TN  
(US); **David Espinal**, Murfreesboro, TN  
(US)

(\*\*) Term: **15 Years**

(21) Appl. No.: **29/787,163**

(22) Filed: **Jun. 4, 2021**

(51) **LOC (14) Cl.** ..... **24-01**

(52) **U.S. Cl.**  
USPC ..... **D24/215**

(58) **Field of Classification Search**  
USPC ..... D24/108, 111, 112, 119, 130, 133, 141,  
D24/200, 211, 212, 213, 214, 215, 222;  
D14/411; D17/9, 22  
CPC .... A61H 19/40; A61H 39/04; A61H 15/0085;  
A61H 7/003; A61H 7/005; A61H  
2201/0153; A61M 35/003  
See application file for complete search history.

(56) **References Cited**

**U.S. PATENT DOCUMENTS**

D322,316 S *	12/1991	Wong	.....	D24/119
D328,644 S *	8/1992	Pericic	.....	D24/133
D334,147 S *	3/1993	Aukstikalnis	.....	D10/80
D342,999 S *	1/1994	Gonsalves, Jr.	.....	D28/99
D346,866 S *	5/1994	Lotuaco	.....	D24/211
D382,342 S *	8/1997	Rosen	.....	D24/142
D408,080 S *	4/1999	Mark	.....	D24/119
D413,381 S *	8/1999	Mark	.....	D24/176
D434,140 S *	11/2000	Phelan	.....	D24/112
D435,106 S *	12/2000	Tang	.....	D24/176
D446,308 S *	8/2001	Schmitmeyer	.....	D24/200
D449,888 S *	10/2001	Huttner	.....	D24/147

D469,180 S *	1/2003	Mark	.....	D28/7
D597,670 S *	8/2009	Maissami	.....	D24/152
D655,406 S *	3/2012	Ma	.....	D24/112
D665,076 S *	8/2012	Sauer	.....	D24/135
D696,414 S *	12/2013	Tabe	.....	D24/215
D724,234 S *	3/2015	Hagege	.....	D24/187
D792,589 S *	7/2017	Alexander	.....	D24/135
D855,180 S *	7/2019	Haefliger	.....	D24/133
D856,511 S *	8/2019	Kelly	.....	D24/112
D949,373 S *	4/2022	Madvin	.....	D24/214
D967,416 S *	10/2022	Zhang	.....	D24/130
2011/0245811 A1	10/2011	Sabal		
2013/0079691 A1	3/2013	Huxable		

(Continued)

**OTHER PUBLICATIONS**

Amazon, "Ear Wax Remover Tool Camera", Date First Available:  
Apr. 18, 2022. <https://www.amazon.com/Ear-Wax-Remover-Tool-Camera/dp/B09Y5Y4SWX> (Year: 2022).\*

(Continued)

*Primary Examiner* — Michael A Maharajh  
(74) *Attorney, Agent, or Firm* — Boudwin Intellectual  
Property; Daniel Boudwin

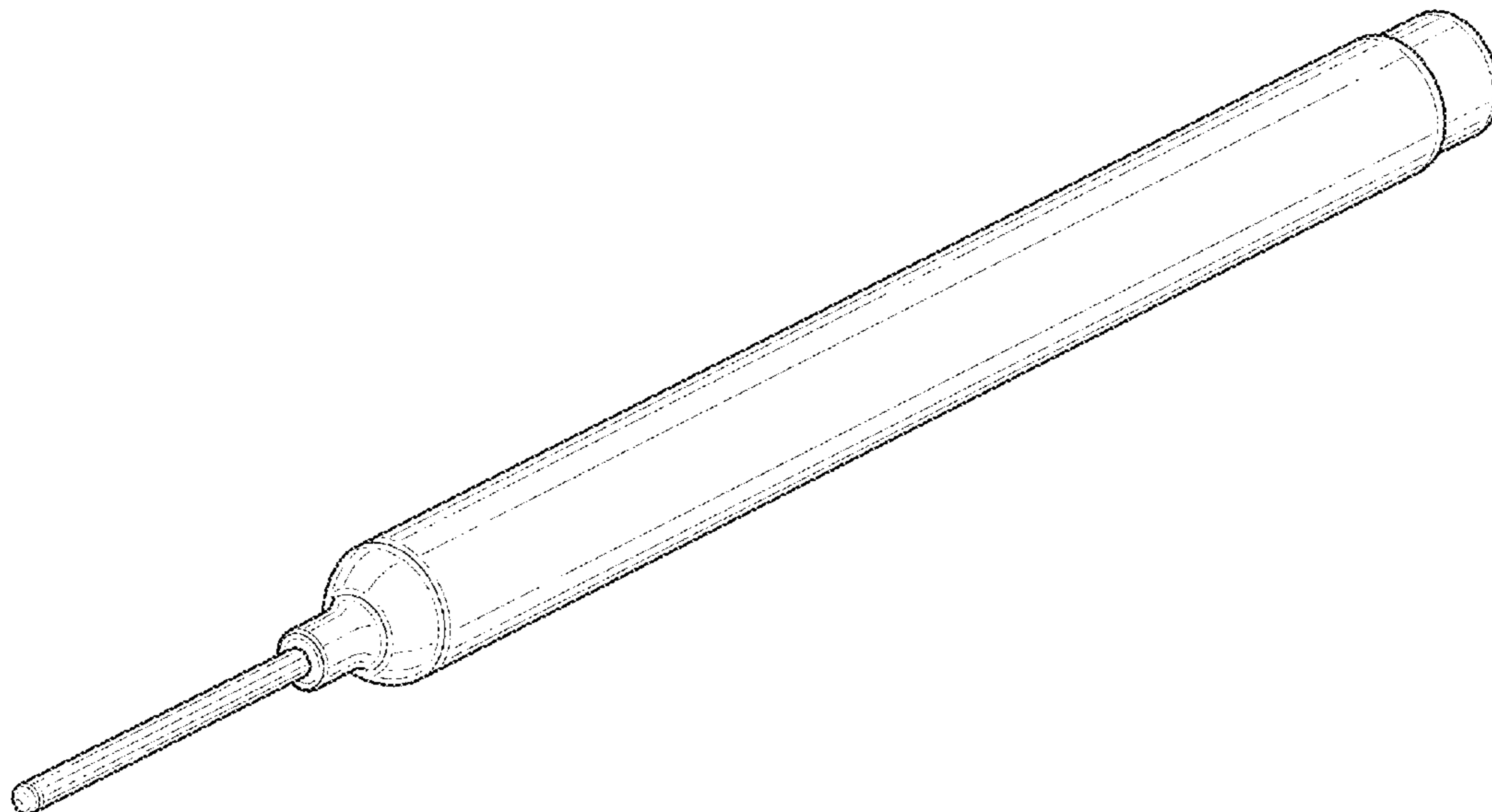
(57) **CLAIM**

The ornamental design for a scalp scratcher, as shown and described.

**DESCRIPTION**

FIG. 1 shows a perspective view of a scalp scratcher.  
FIG. 2 shows a front view of the scalp scratcher.  
FIG. 3 shows a rear view of the scalp scratcher.  
FIG. 4 shows a right side view of the scalp scratcher.  
FIG. 5 shows a left side view of the scalp scratcher.  
FIG. 6 shows a top plan view of the scalp scratcher; and,  
FIG. 7 shows a bottom plan view of the scalp scratcher.  
The shade lines in the Figures show contour and not surface ornamentation.

**1 Claim, 4 Drawing Sheets**



(56)

**References Cited**

U.S. PATENT DOCUMENTS

2015/0320634 A1 11/2015 Munro  
2015/0366744 A1 12/2015 Rivers  
2016/0339221 A1 11/2016 Patterson

OTHER PUBLICATIONS

Amazon, "Acupressure Bar Massage Pen", Date First Available:  
Apr. 26, 2021. [https://www.amazon.com/Stainless-Acupressure-Pen-Deep-Relaxing-Self-Massage/dp/B093GMNPHB/ref=cm\\_cr\\_arpd\\_product\\_top?ie=UTF8](https://www.amazon.com/Stainless-Acupressure-Pen-Deep-Relaxing-Self-Massage/dp/B093GMNPHB/ref=cm_cr_arpd_product_top?ie=UTF8) (Year: 2021).\*

\* cited by examiner

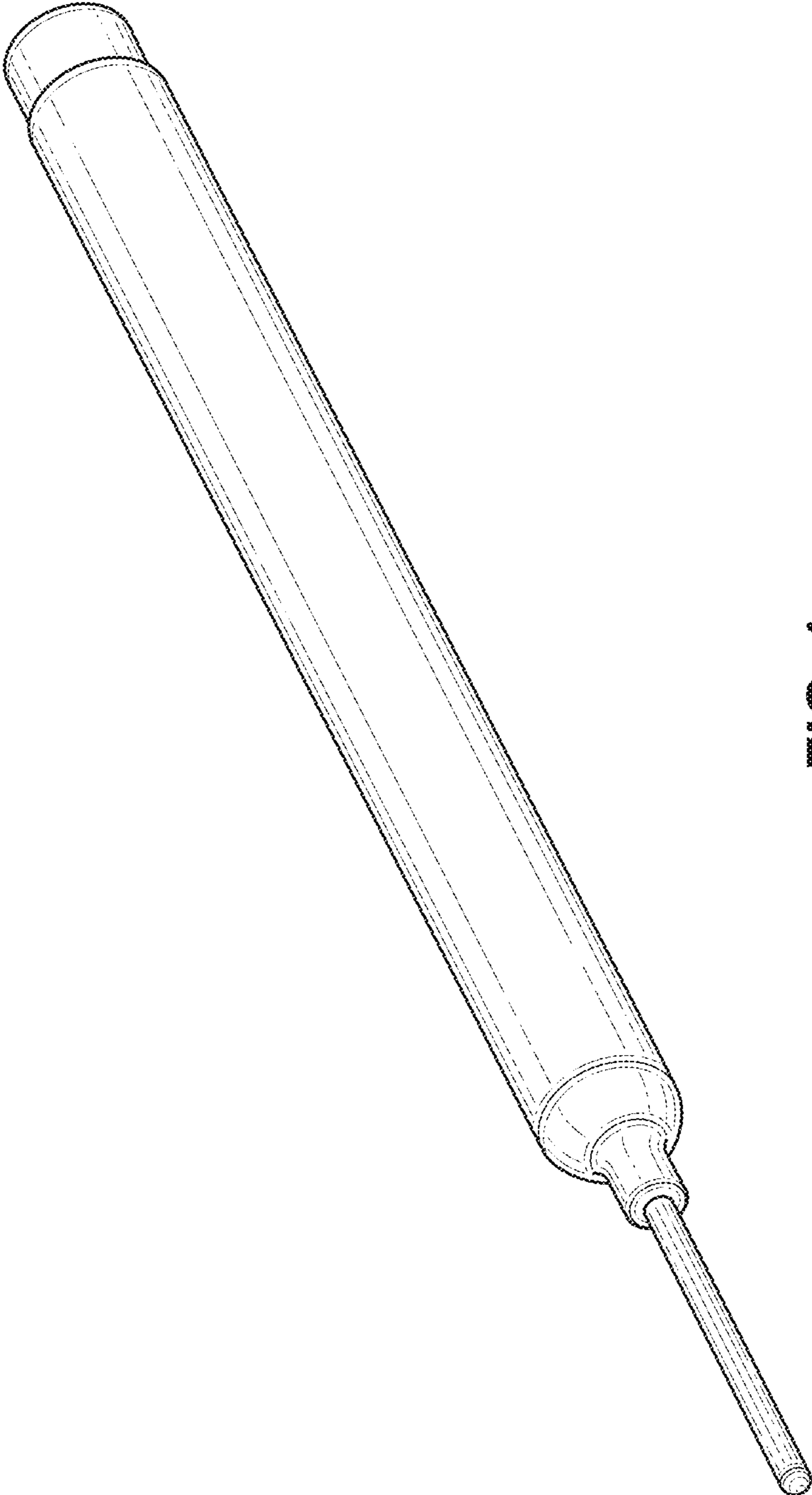


FIG. 1

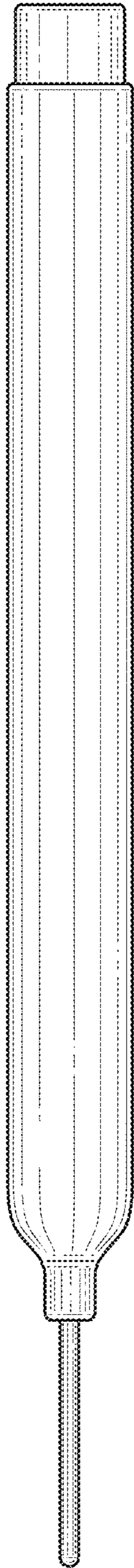


FIG. 2

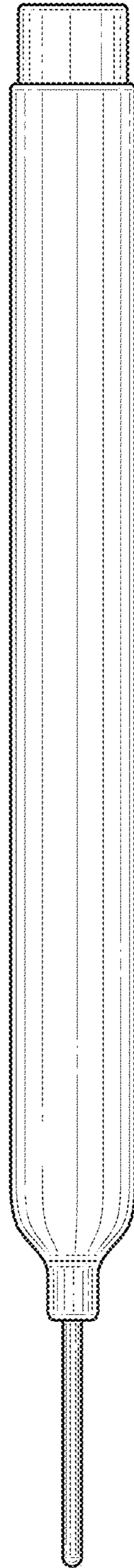


FIG. 3

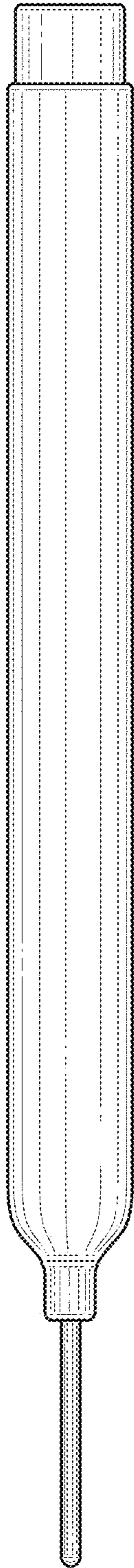


FIG. 4

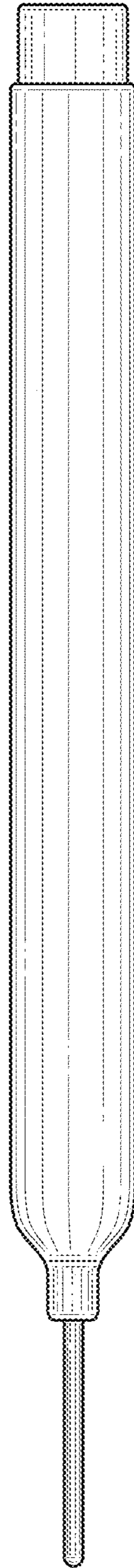
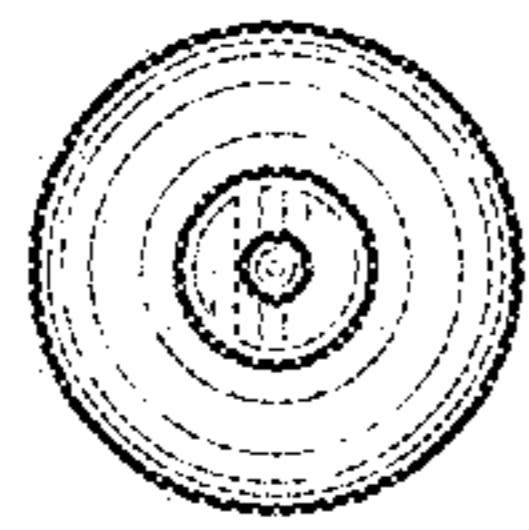
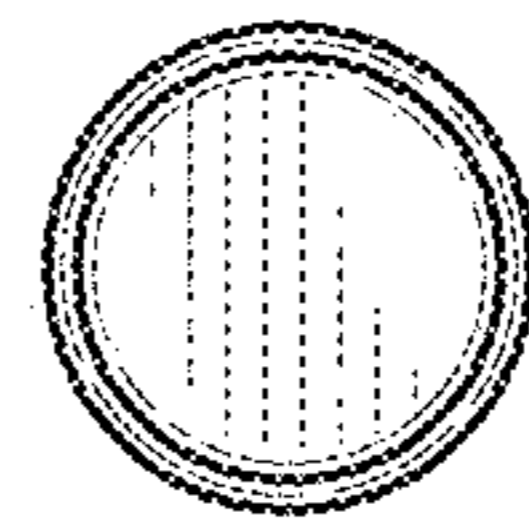


FIG. 5



**FIG. 6**



**FIG. 7**