



US00D985793S

(12) **United States Design Patent** (10) **Patent No.:** **US D985,793 S**  
**Xu** (45) **Date of Patent:** **\*\* May 9, 2023**

(54) **FASCIA GUN**

(71) Applicant: **Lili Xu**, Zhejiang (CN)

(72) Inventor: **Lili Xu**, Zhejiang (CN)

(\*\*) Term: **15 Years**

(21) Appl. No.: **29/779,288**

(22) Filed: **Apr. 19, 2021**

(51) **LOC (14) Cl.** ..... **24-01**

(52) **U.S. Cl.**  
USPC ..... **D24/215**

(58) **Field of Classification Search**  
USPC ..... D24/200, 211, 212, 213, 214, 215;  
D8/14.1; D28/13  
CPC ..... A61H 23/006; A61H 23/02; A61H  
2201/0165; A61H 23/00; A61H 7/00;  
A61H 7/007; A61H 2023/002

See application file for complete search history.

(56) **References Cited**

**U.S. PATENT DOCUMENTS**

D863,571 S	*	10/2019	Yang	.....	D24/200
D899,620 S	*	10/2020	Huang	.....	D24/215
D906,533 S	*	12/2020	Xu	.....	D24/215
D921,917 S	*	6/2021	Xu	.....	D24/215
D927,715 S	*	8/2021	Li	.....	D24/215
D933,250 S	*	10/2021	Shen	.....	D24/211
D933,844 S	*	10/2021	Chen	.....	D24/214
D948,067 S	*	4/2022	Zheng	.....	D24/215
D949,383 S	*	4/2022	Xu	.....	D24/215
D949,385 S	*	4/2022	Zang	.....	D24/215
D949,419 S	*	4/2022	Lin	.....	D24/215
D949,421 S	*	4/2022	Luo	.....	D24/215
D952,174 S	*	5/2022	Shu	.....	D24/215
D956,259 S	*	6/2022	Xu	.....	D24/215
D956,992 S	*	7/2022	Lin	.....	D24/215
D956,994 S	*	7/2022	Marzolf	.....	D24/215

**OTHER PUBLICATIONS**

Amazon.uk, "Massage Gun", Date First Available: Mar. 24, 2022. <https://www.amazon.co.uk/AUSOQE-Powerful-Percussion-Massager-Handheld/dp/B09GYLZV22> (Year: 2022).\*  
Amazon, "Massager Gun Deep Tissue Muscle" Date First Available: Oct. 19, 2021. <https://www.amazon.com/Deep-Tissue-Muscle-Massage-Gun/dp/B09JSN1V74> (Year: 2021).\*

\* cited by examiner

*Primary Examiner* — Michael A Maharajh

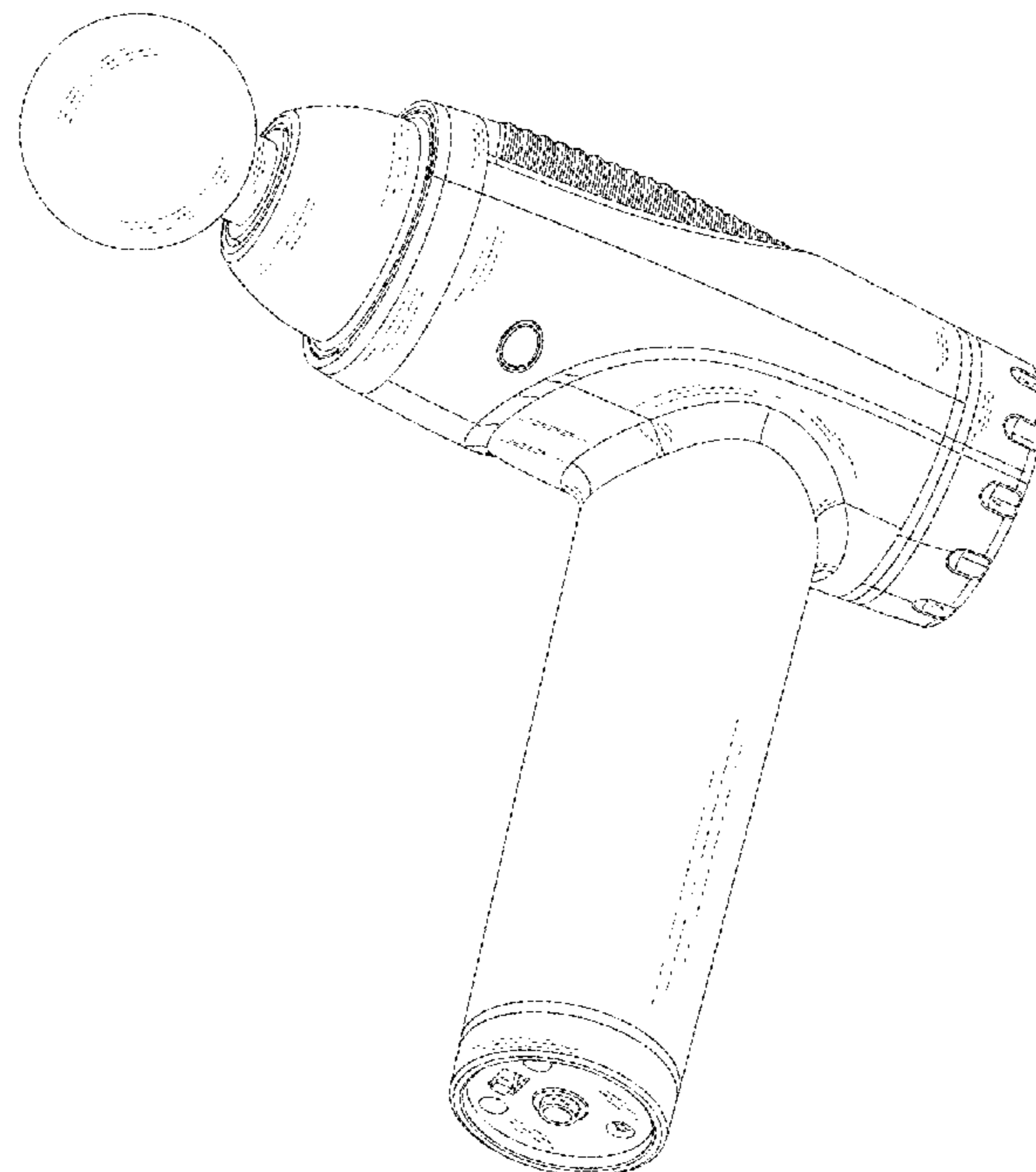
(57) **CLAIM**

The ornamental design for a fascia gun, as shown and described.

**DESCRIPTION**

FIG. 1 is a bottom perspective view of a fascia gun showing my new design;  
FIG. 2 is a front elevation view thereof;  
FIG. 3 is a rear elevation view thereof;  
FIG. 4 is a left side elevation view thereof;  
FIG. 5 is a right side elevation view thereof;  
FIG. 6 is a top plan view thereof;  
FIG. 7 is a bottom plan view thereof;  
FIG. 8 is a top perspective view thereof;  
FIG. 9 is an enlarged view of the fascia gun taken from the circle part in FIG. 4; and,  
FIG. 10 is an enlarged view of the fascia gun taken from the circle part in FIG. 5.  
The broken lines shown in FIGS. 4, 5, 9 and 10 are for the purpose of showing enlarged areas, and form no part of the claimed design.

**1 Claim, 10 Drawing Sheets**



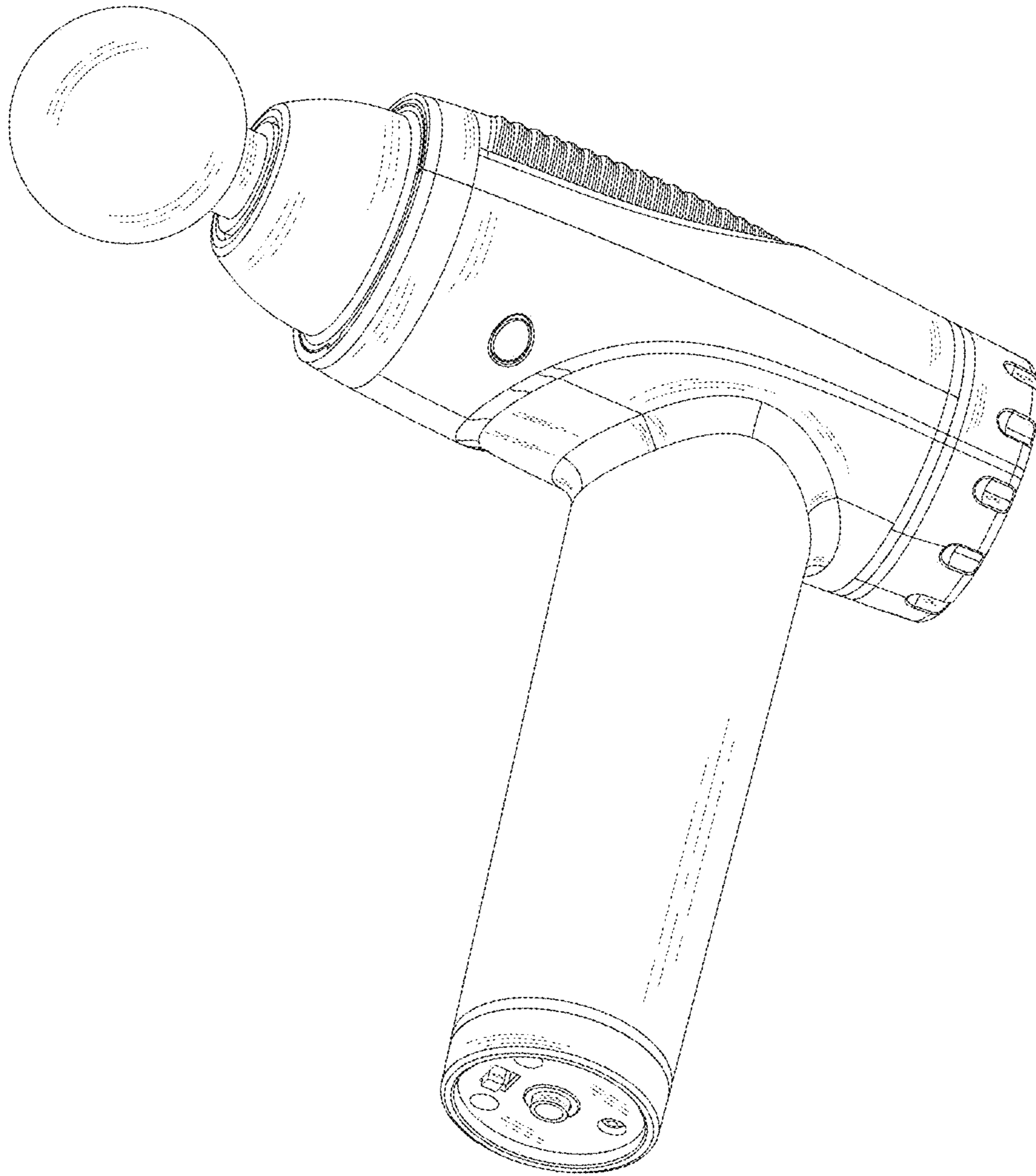


FIG. 1

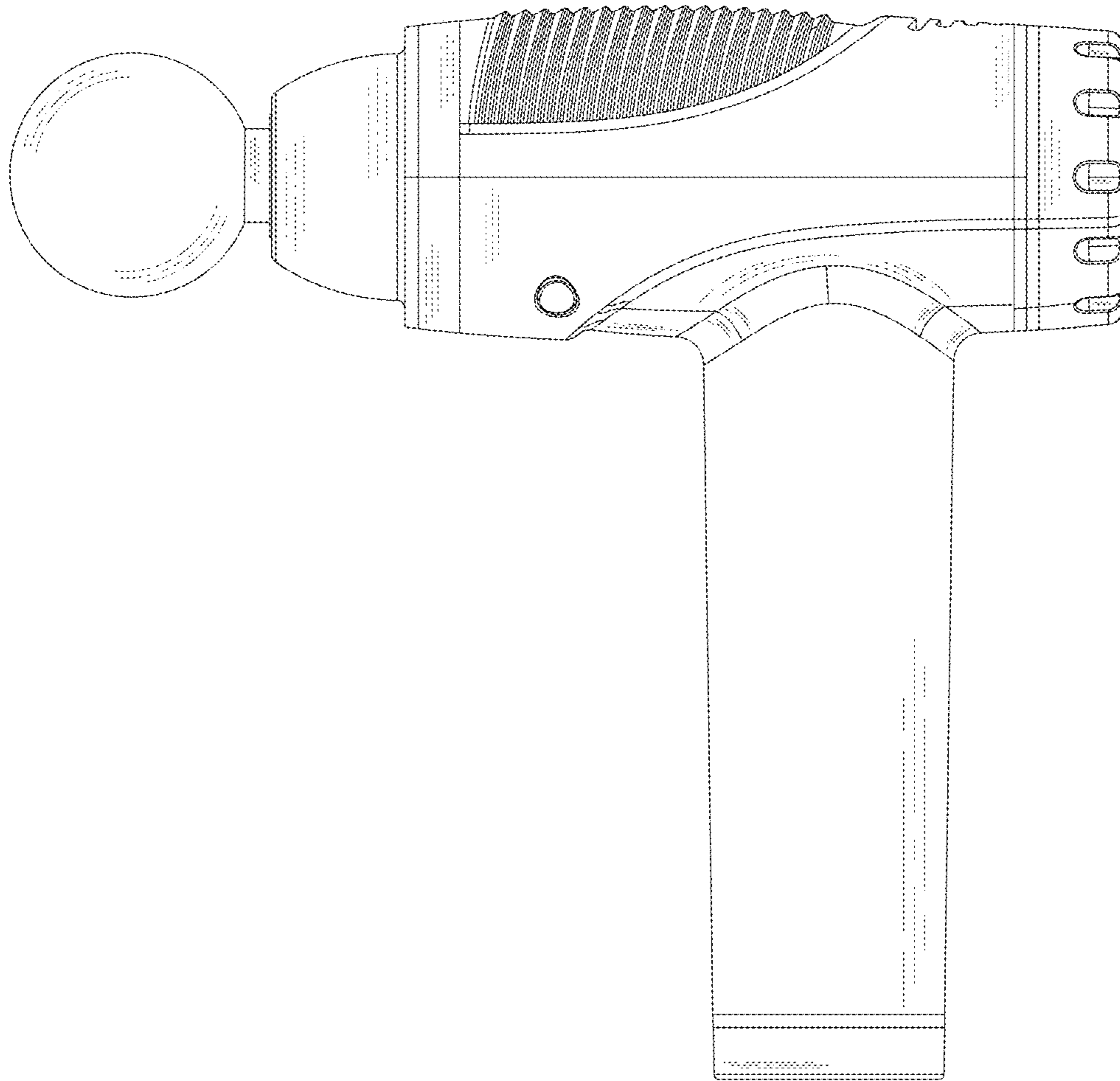


FIG. 2

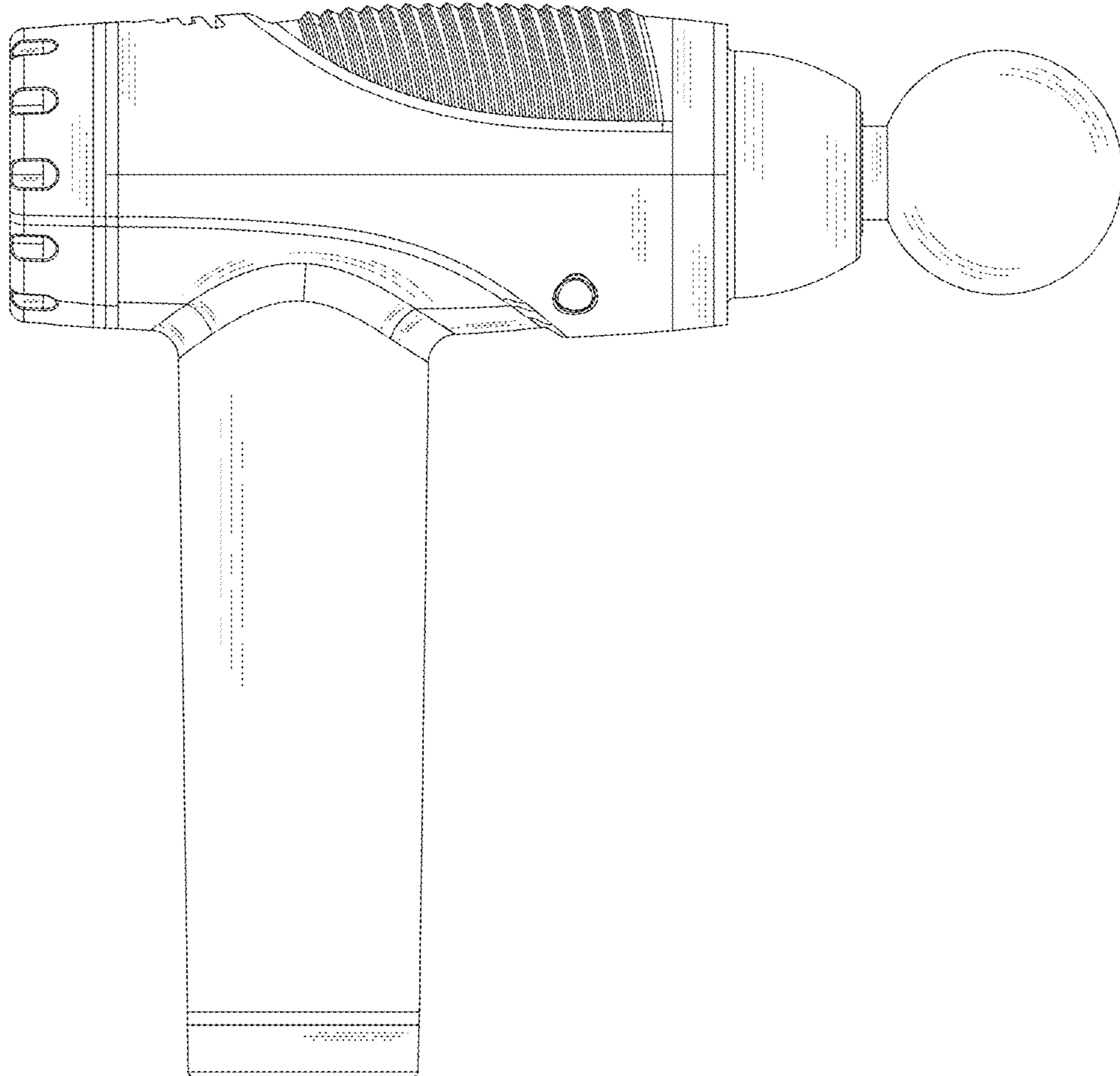


FIG. 3

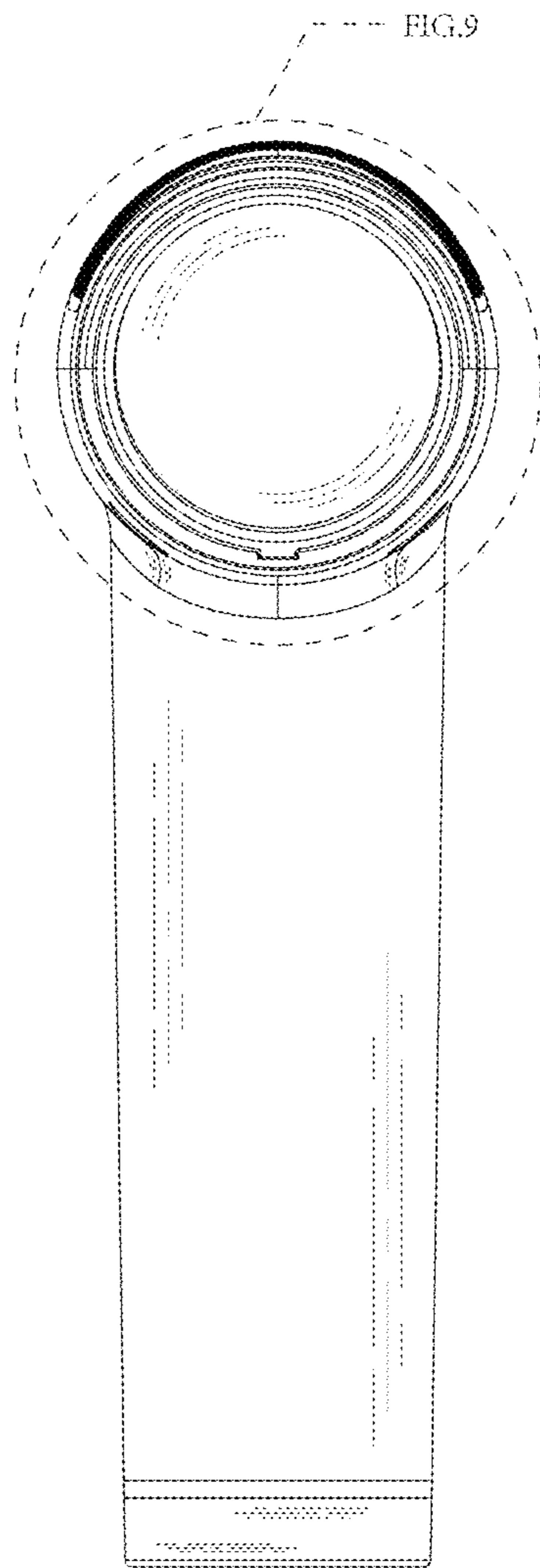


FIG. 4

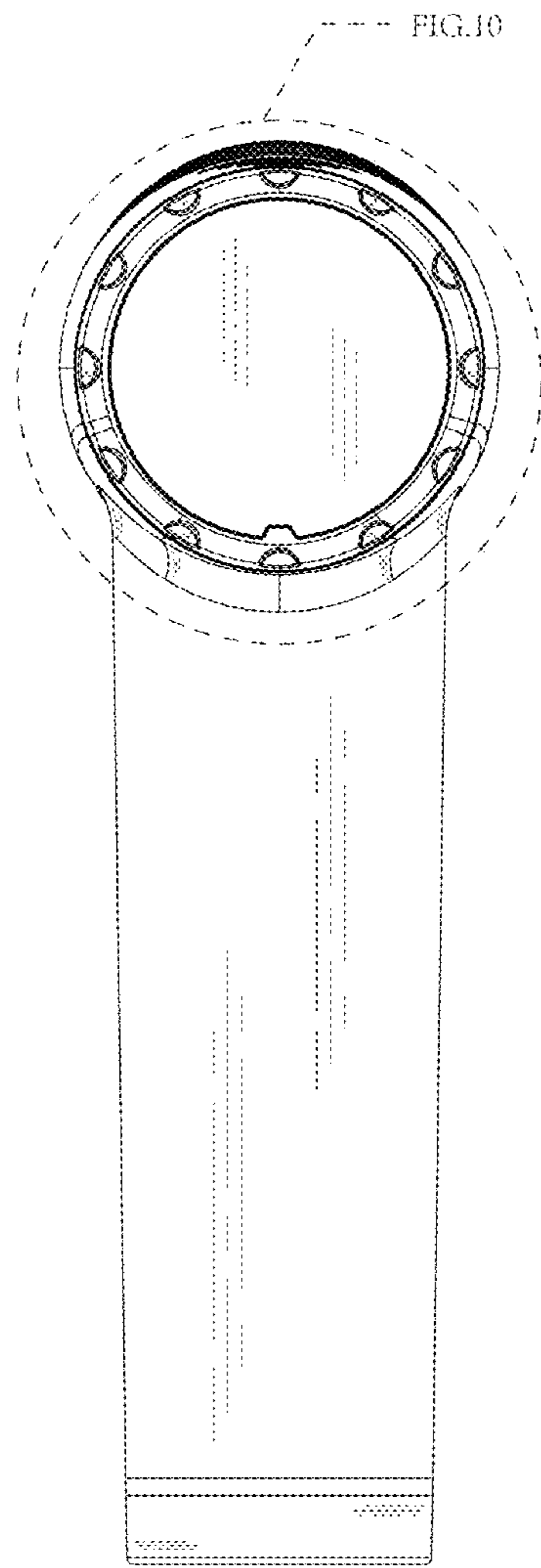


FIG. 5

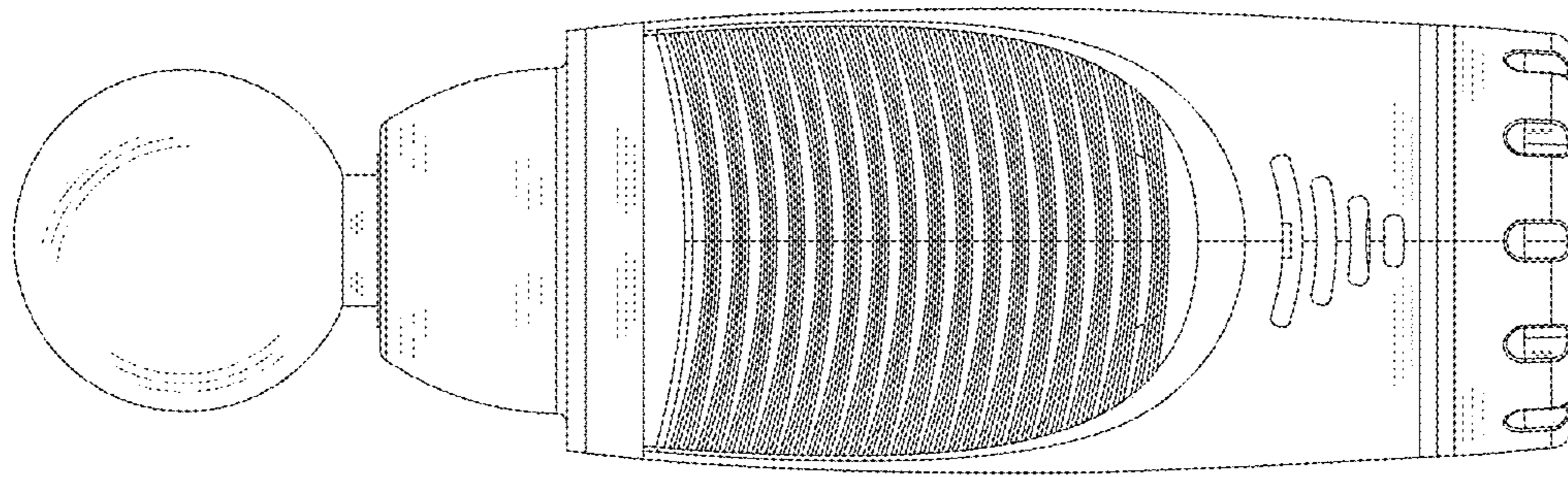


FIG. 6

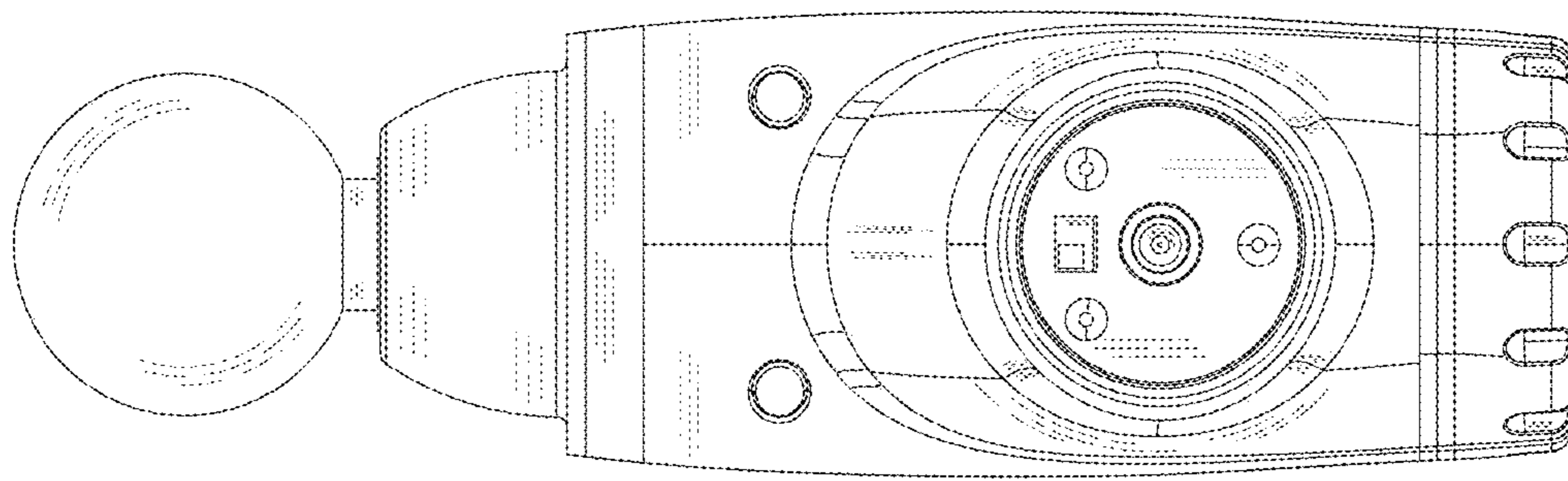


FIG. 7



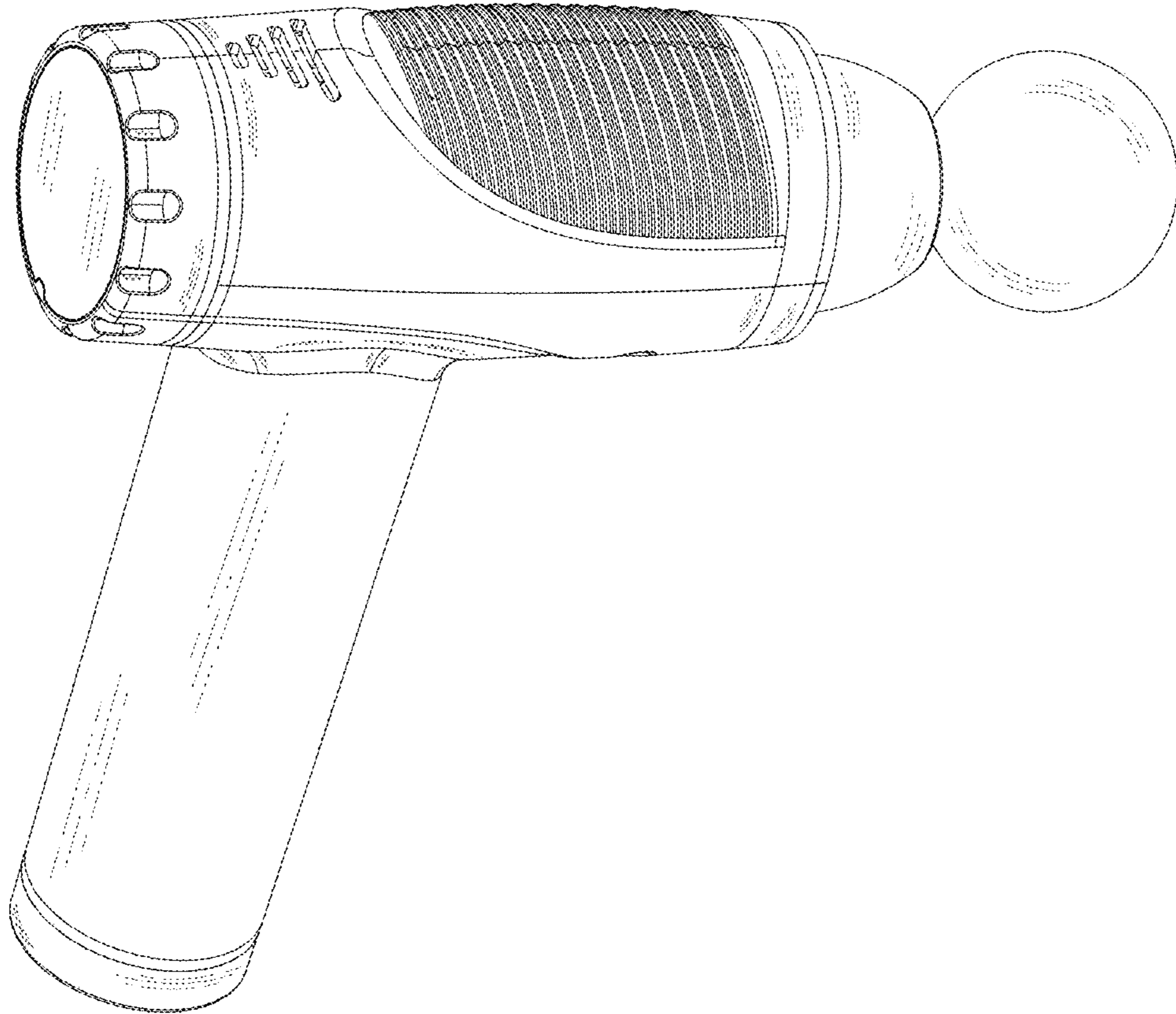


FIG. 8

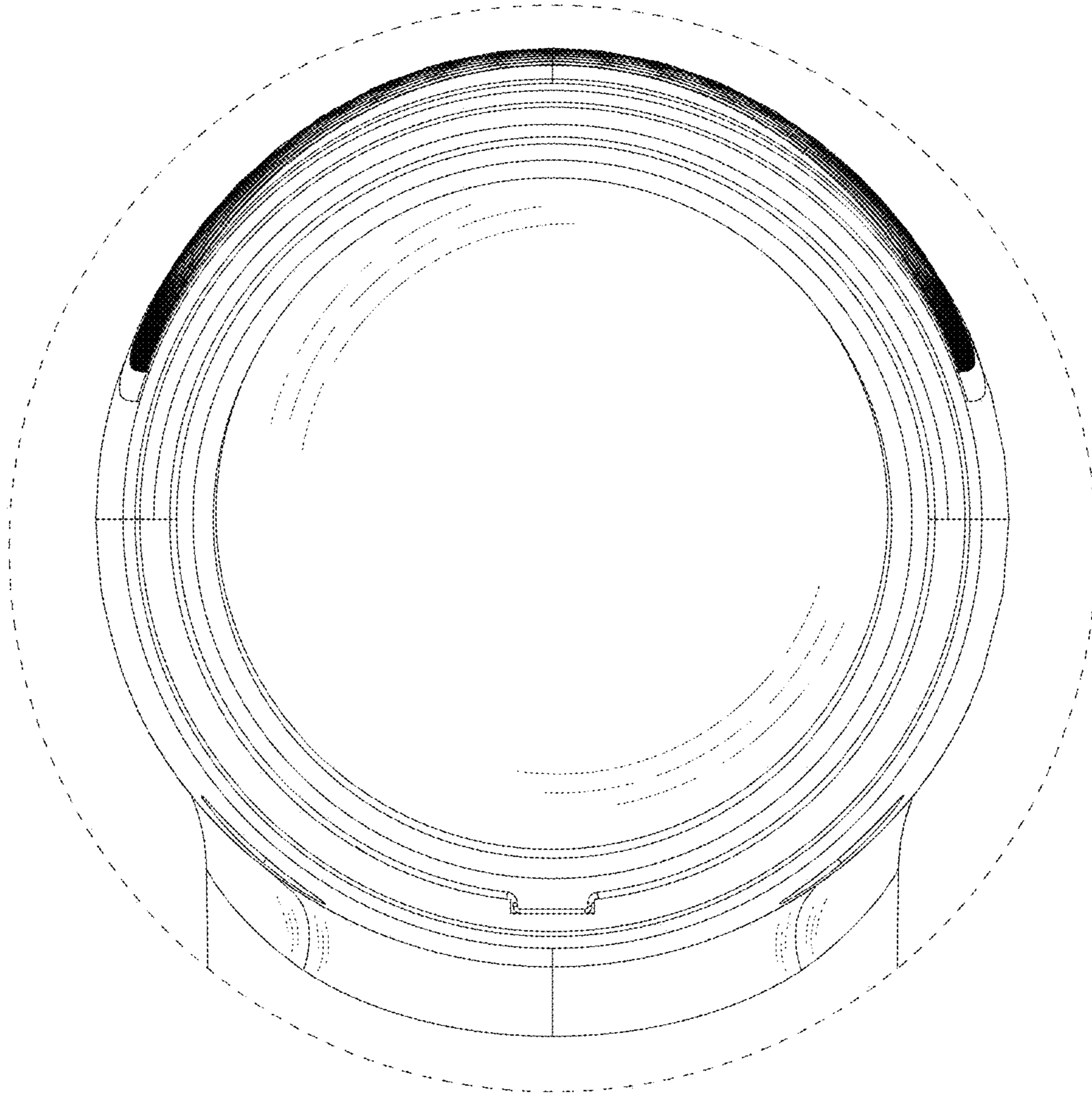


FIG. 9

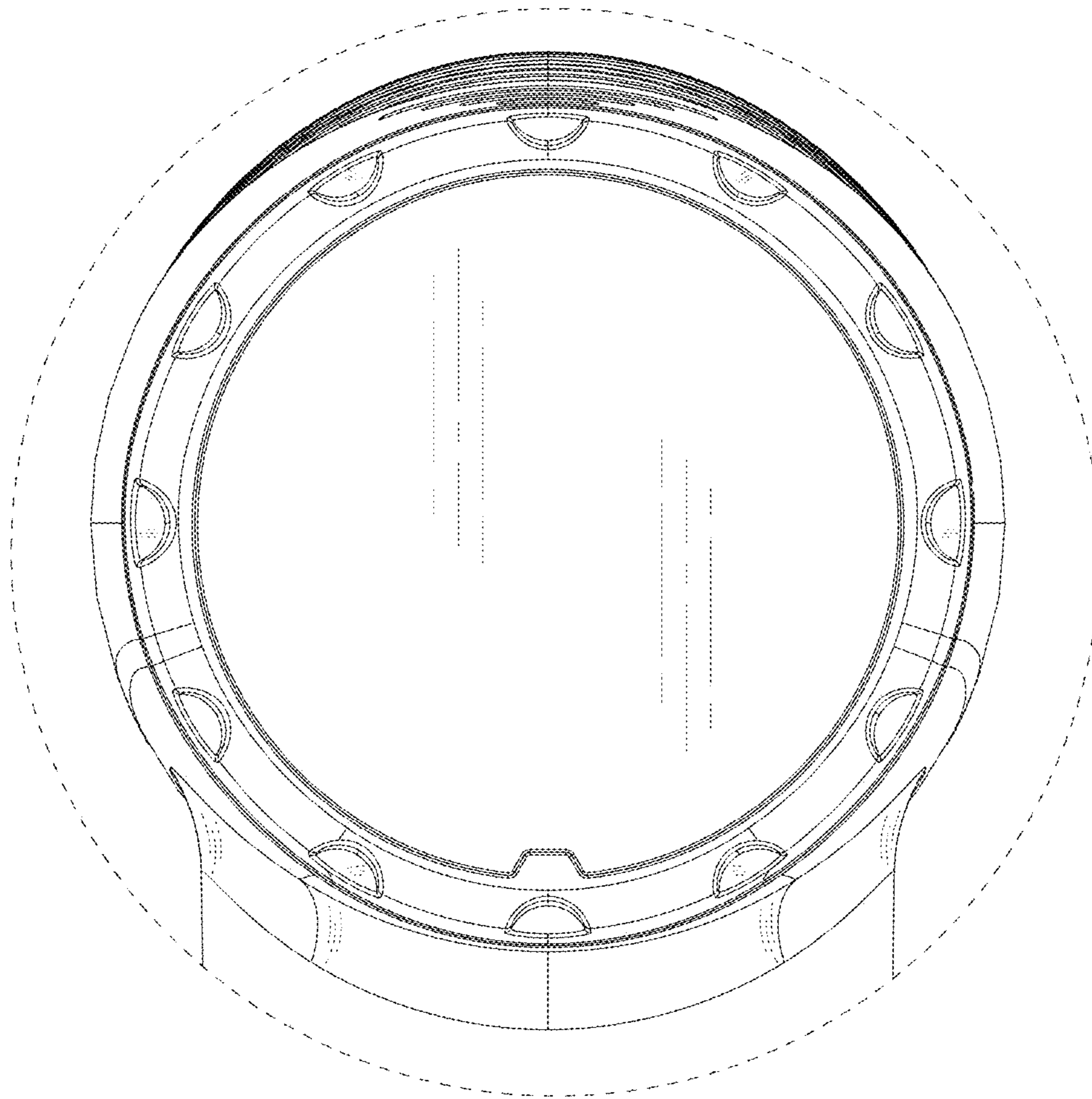


FIG. 10