



US00D985791S

(12) **United States Design Patent** (10) **Patent No.:** **US D985,791 S**
Solana et al. (45) **Date of Patent:** **** May 9, 2023**

(54) **ATTACHMENT FOR FACIAL TREATMENT DEVICE**

D674,500 S 1/2013 Matsushita
D685,491 S 7/2013 Coral
D699,367 S 2/2014 Lee
D725,788 S 3/2015 Matsushita

(71) Applicant: **Therabody, Inc.**, Los Angeles, CA (US)

(Continued)

(72) Inventors: **Jaime Sanchez Solana**, Los Angeles, CA (US); **Eduardo Merino**, Beverly Hills, CA (US); **Bill Webb**, San Francisco, CA (US)

FOREIGN PATENT DOCUMENTS

CN 301428317 S 12/2010
CN 301868794 S 3/2012

(Continued)

(73) Assignee: **Therabody, Inc.**, Los Angeles, CA (US)

OTHER PUBLICATIONS

(**) Term: **15 Years**

Youtube, "How To: Theraface PRO Microcurrent", Published Date: Apr. 12, 2022. <https://www.youtube.com/watch?v=u2s2eQDiWm4> (Year: 2022).*

(21) Appl. No.: **29/772,507**

(Continued)

(22) Filed: **Mar. 2, 2021**

(51) **LOC (14) Cl.** **24-01**

(52) **U.S. Cl.**

USPC **D24/215**

(58) **Field of Classification Search**

USPC D24/200, 209, 211, 212, 213, 214, 215;
D7/393; D8/307, 310, 378; D9/435, 439
CPC A61H 2015/0014; A61H 23/006; A61H
2015/0042; A61H 7/007

See application file for complete search history.

Primary Examiner — Michael A Maharajh

(74) *Attorney, Agent, or Firm* — Sterne, Kessler, Goldstein & Fox P.L.L.C.

(57)

CLAIM

The ornamental design for an attachment for a facial treatment device, as shown and described.

DESCRIPTION

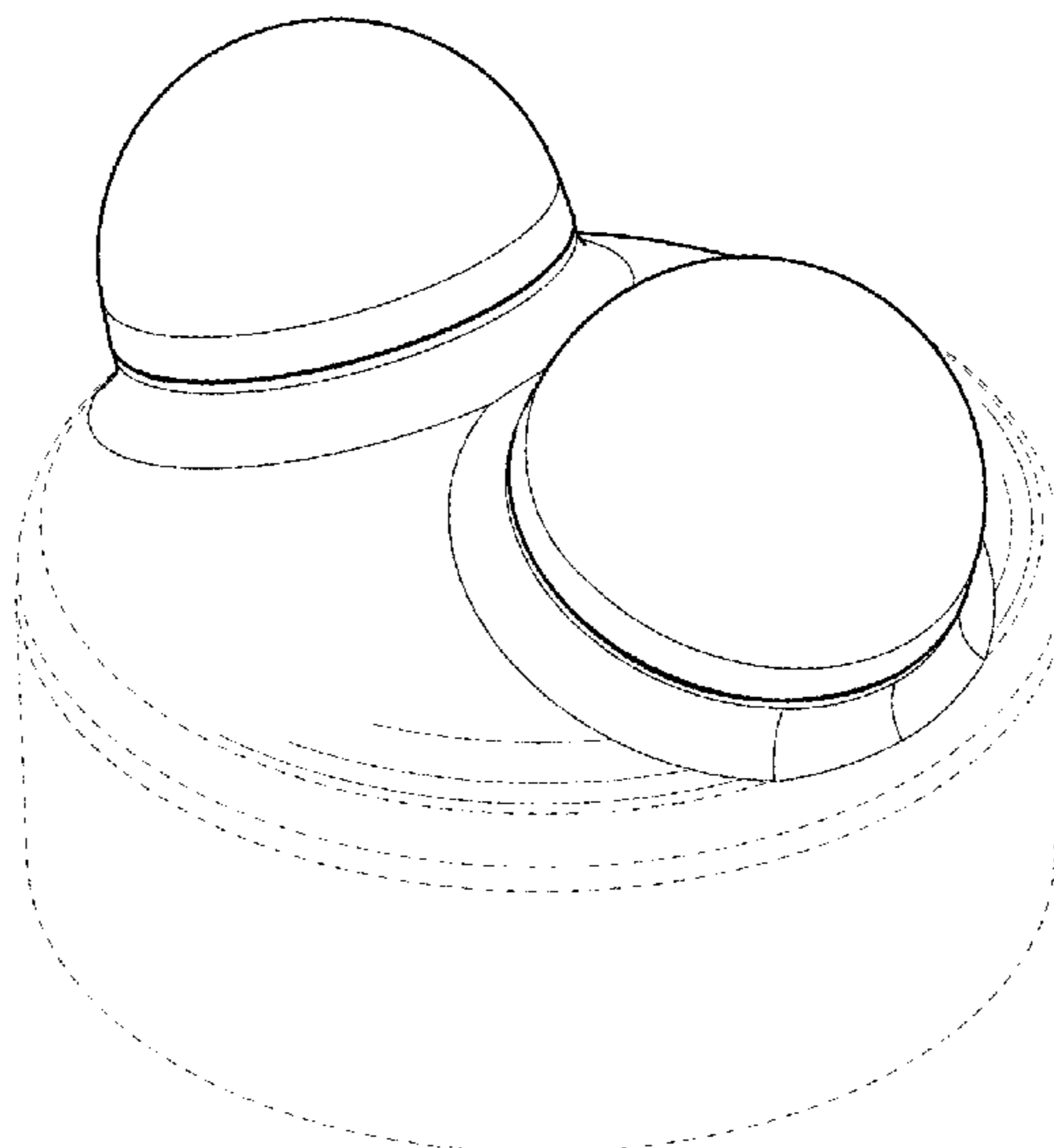
FIG. 1 is a perspective view of an attachment for a facial treatment device, showing the claimed design; FIG. 2 is a front elevational view thereof; FIG. 3 is a rear elevational view thereof; FIG. 4 is a right elevational view thereof; FIG. 5 is a left elevational view thereof; FIG. 6 is a top plan view thereof; FIG. 7 is a bottom plan view thereof; and, FIG. 8 is a bottom perspective view thereof. The broken lines shown in the figures are for the purpose of illustrating portions of the attachment for a facial treatment device that form no part of the claimed design.

(56) **References Cited**

U.S. PATENT DOCUMENTS

D486,235 S 2/2004 Haddock
D507,653 S 7/2005 Batchelor
D532,908 S 11/2006 Haddock
D535,033 S 1/2007 Elliott
D608,897 S 1/2010 Cole
D611,159 S 3/2010 Cole
D620,597 S 7/2010 Cole
D638,132 S 5/2011 Cole
D666,304 S 8/2012 Matsushita
D668,771 S 10/2012 Matsushita
D669,998 S 10/2012 Matsushita

1 Claim, 6 Drawing Sheets



(56)

References Cited

U.S. PATENT DOCUMENTS

D728,115 S 4/2015 Matsushita
 D736,399 S 8/2015 Nichols
 D738,517 S 9/2015 Karim
 D752,237 S 3/2016 Cole
 D770,635 S 11/2016 Cole
 D785,193 S 4/2017 Cole
 D820,466 S 6/2018 Matsushita
 D830,570 S 10/2018 Matsushita
 D831,835 S 10/2018 Cole
 D842,487 S 3/2019 Matsushita
 D844,797 S 4/2019 Matsushita
 D844,799 S 4/2019 Kim
 D845,496 S 4/2019 Cole
 D845,499 S * 4/2019 Wersland D24/211
 D857,907 S 8/2019 Luo
 D857,908 S 8/2019 Matsushita
 D857,909 S 8/2019 Matsushita
 D865,192 S * 10/2019 Nazarian D24/200
 D865,206 S 10/2019 Matsushita
 D865,207 S 10/2019 Matsushita
 D865,984 S 11/2019 Matsushita
 D866,789 S 11/2019 Yamazaki
 D868,277 S 11/2019 Yamazaki
 D874,014 S 1/2020 Matsushita
 D874,666 S 2/2020 Matsushita
 D880,717 S 4/2020 Matsushita

D880,718 S 4/2020 Matsushita
 D887,572 S 6/2020 Matsushita
 D890,353 S * 7/2020 Nazarian D24/200
 D891,628 S 7/2020 Peterson
 D900,329 S 10/2020 Xu
 D907,792 S * 1/2021 Marton D24/215
 D908,235 S * 1/2021 Marton D24/215
 D932,036 S * 9/2021 Nazarian D24/200
 D946,166 S * 3/2022 Li D24/215
 D949,416 S * 4/2022 Khubani D24/215

FOREIGN PATENT DOCUMENTS

CN	303721602 S	6/2016
CN	304594808 S	4/2018
CN	304600458 S	4/2018
CN	304636811 S	5/2018
CN	305029992 S	2/2019
CN	305156701 S	5/2019
CN	305266916 S	7/2019
JP	D1552436	6/2016

OTHER PUBLICATIONS

Therabody, "Theraface PRO Microcurrent Ring", Access Date: Sep. 14, 2022. <https://www.therabody.com/us/en-us/theraface-pro-microcurrent-ring.html> (Year: 2022).*

* cited by examiner

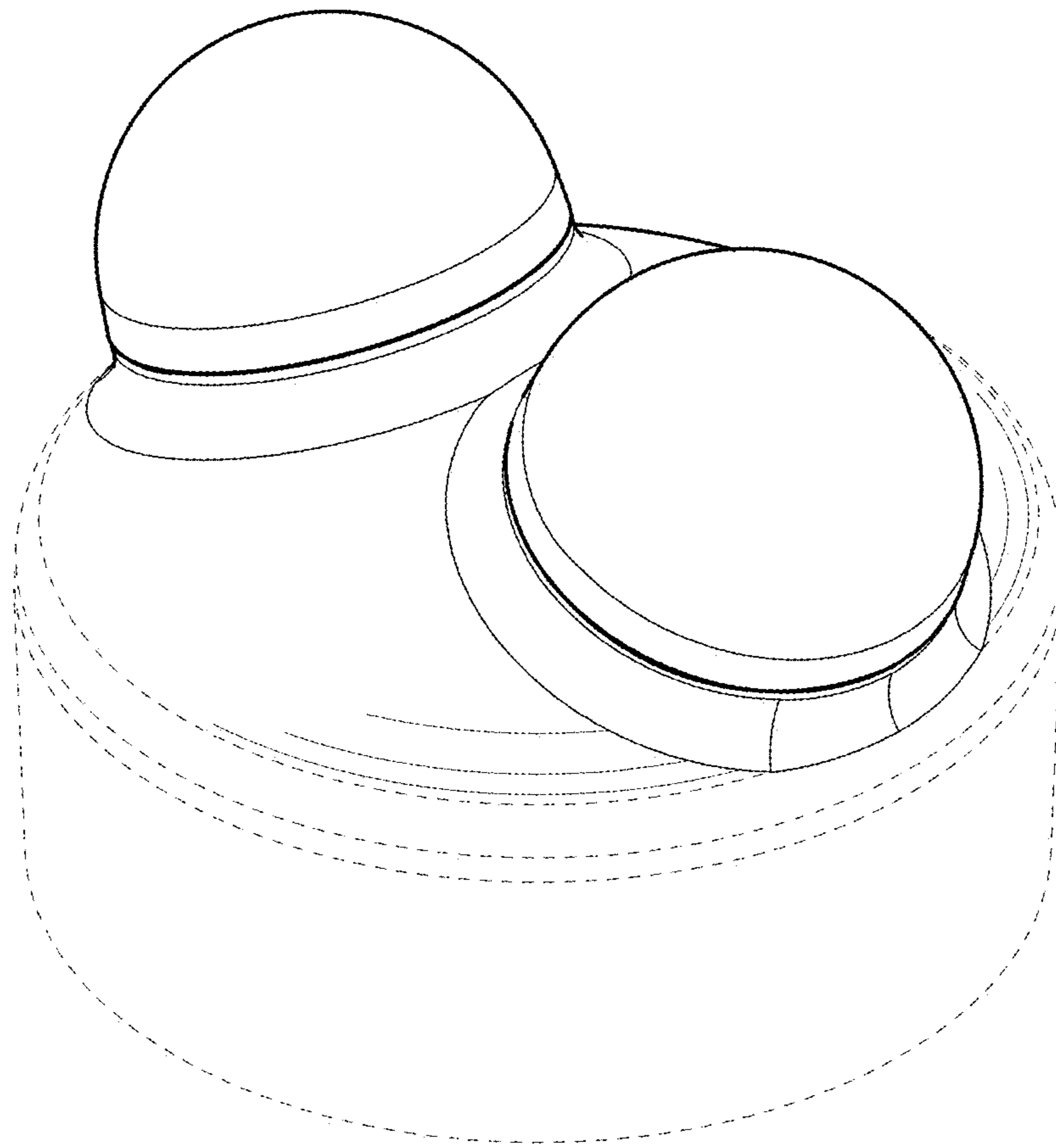


FIG. 1

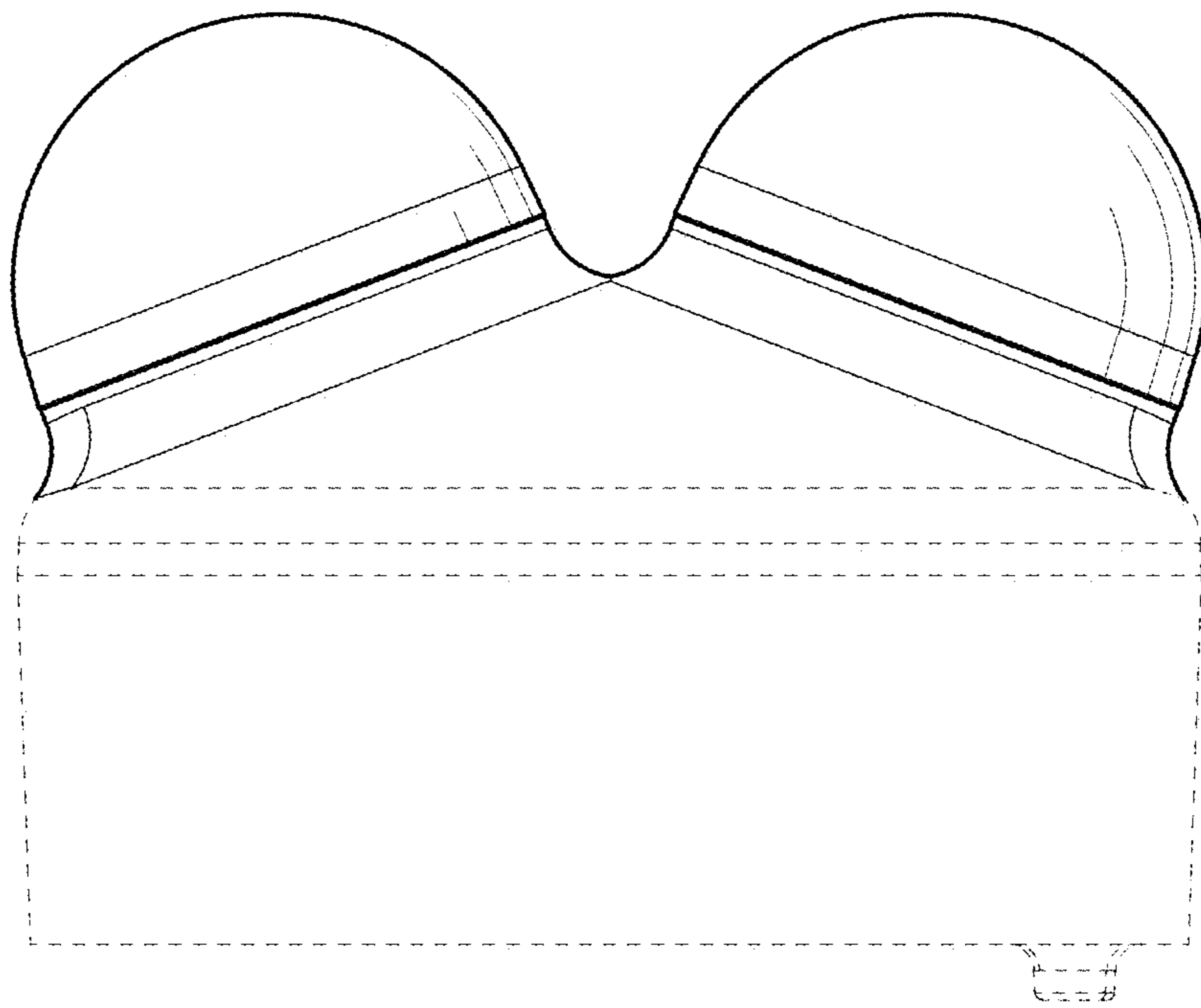


FIG. 2

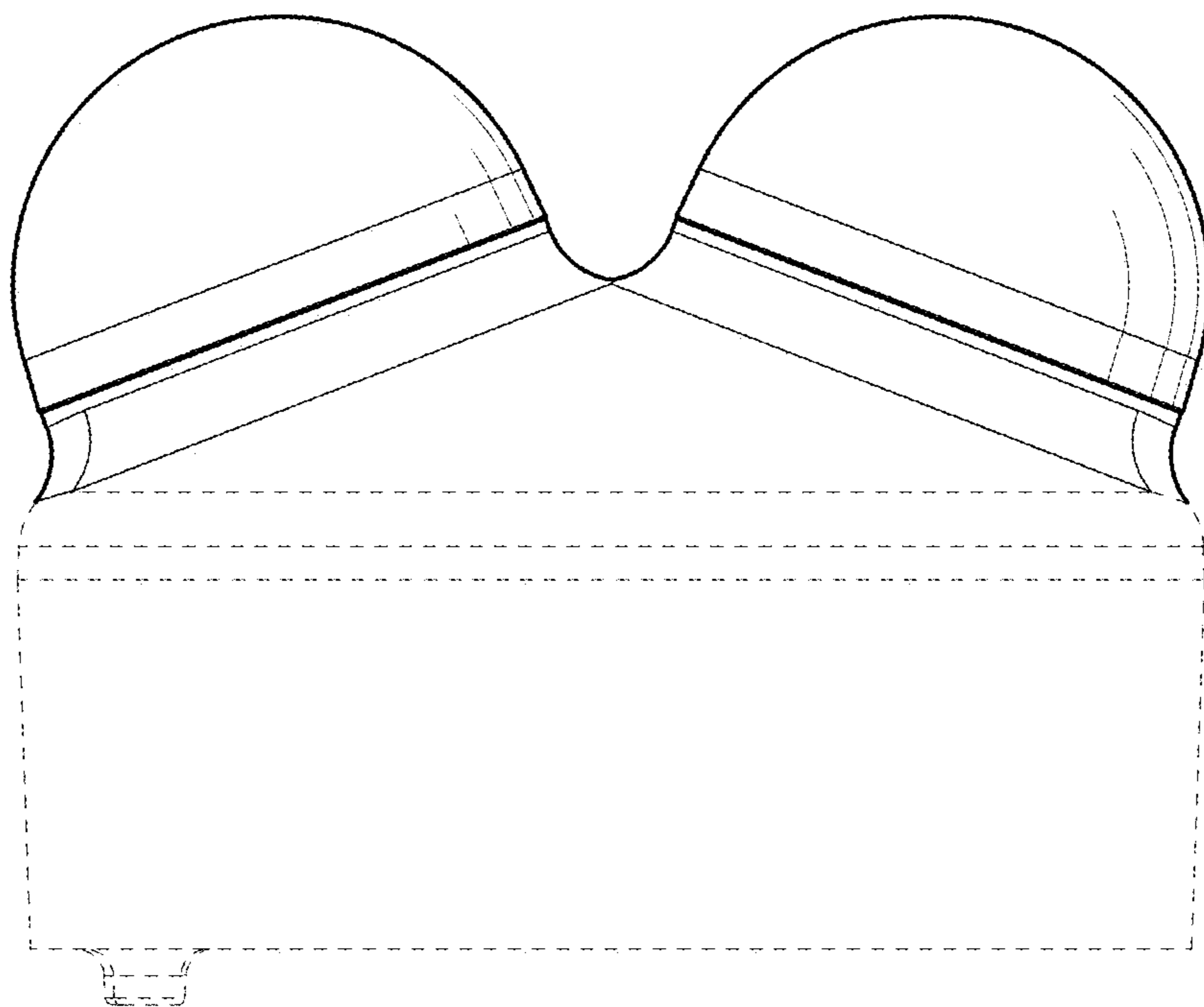


FIG. 3

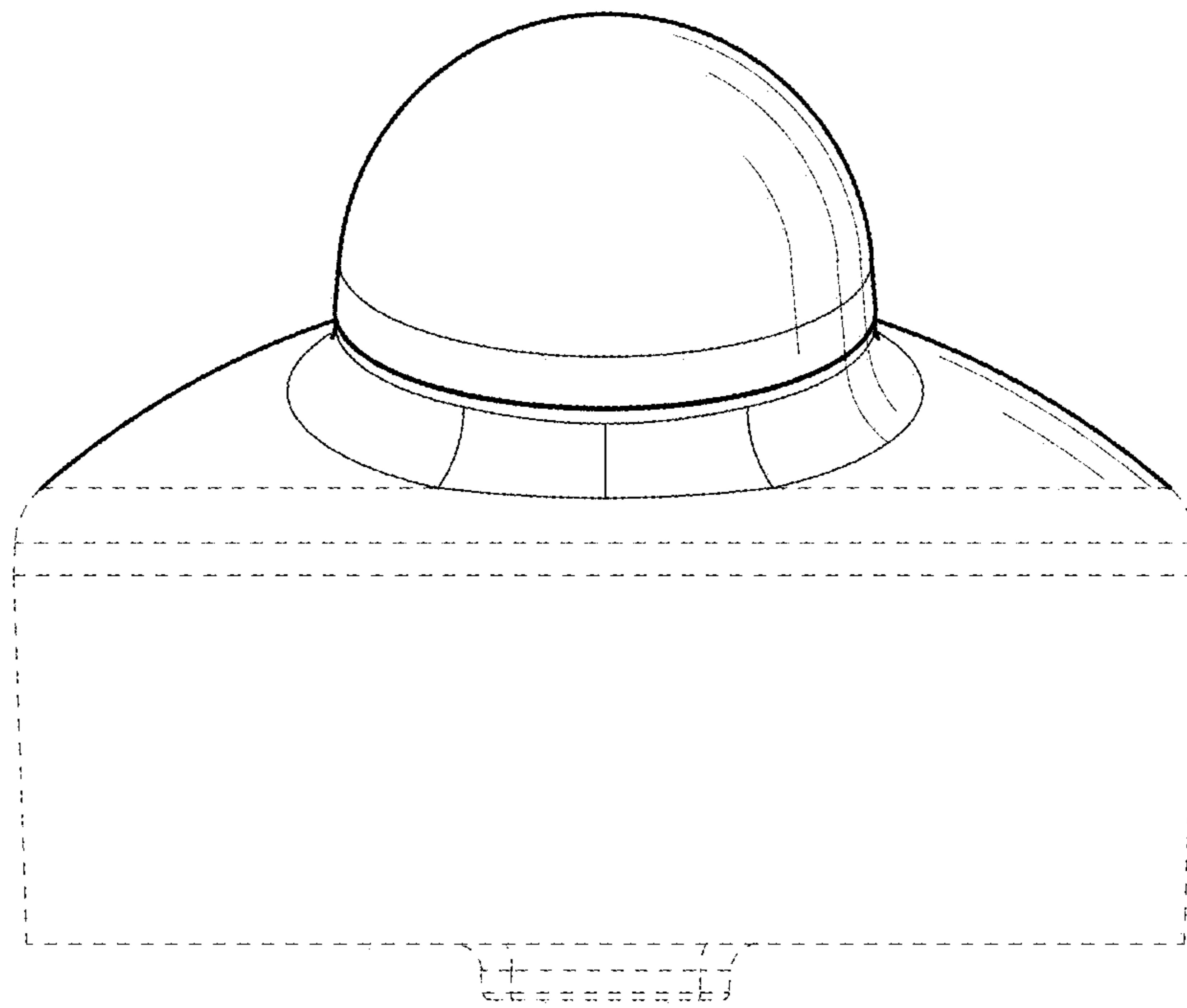


FIG. 4

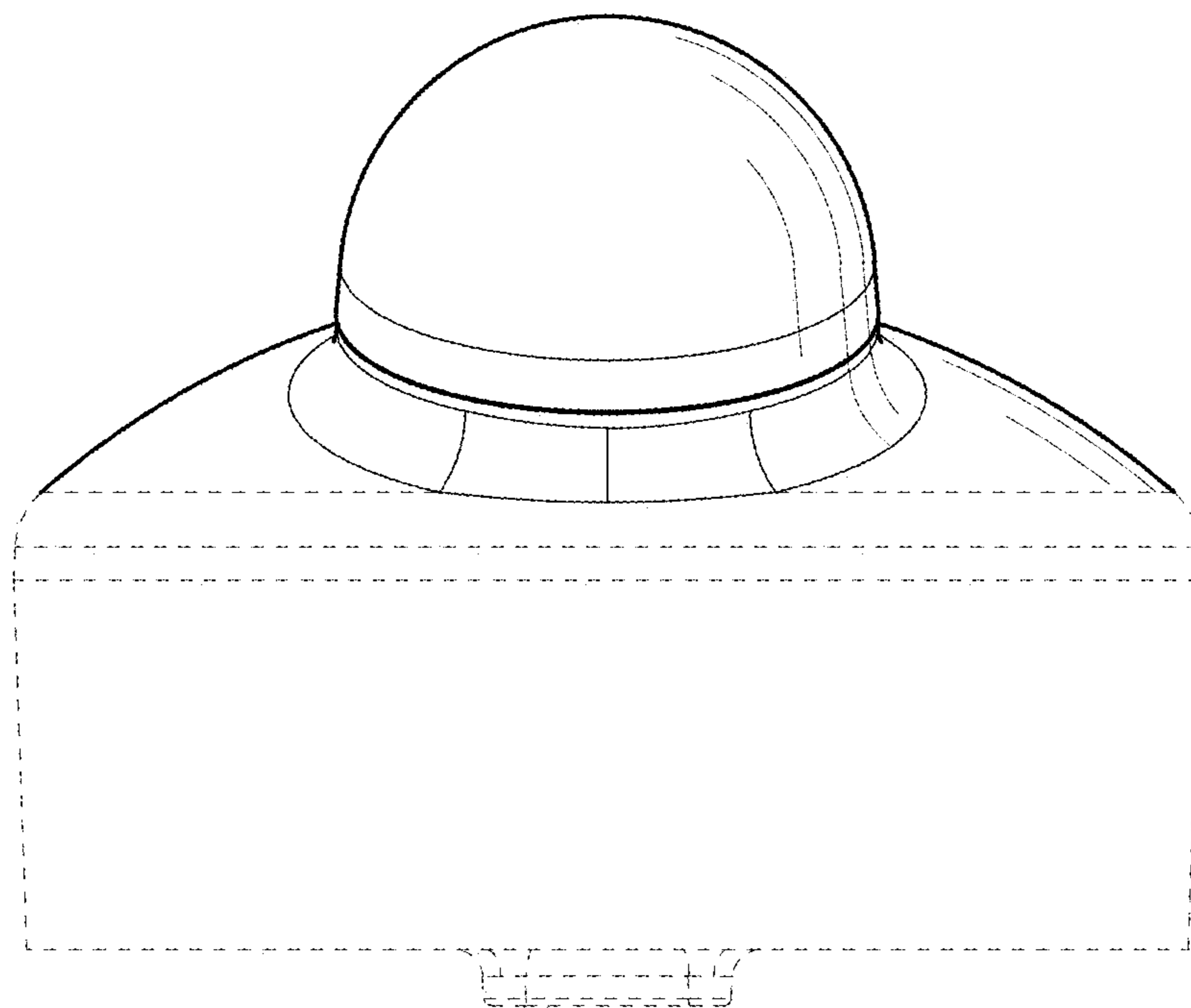


FIG. 5

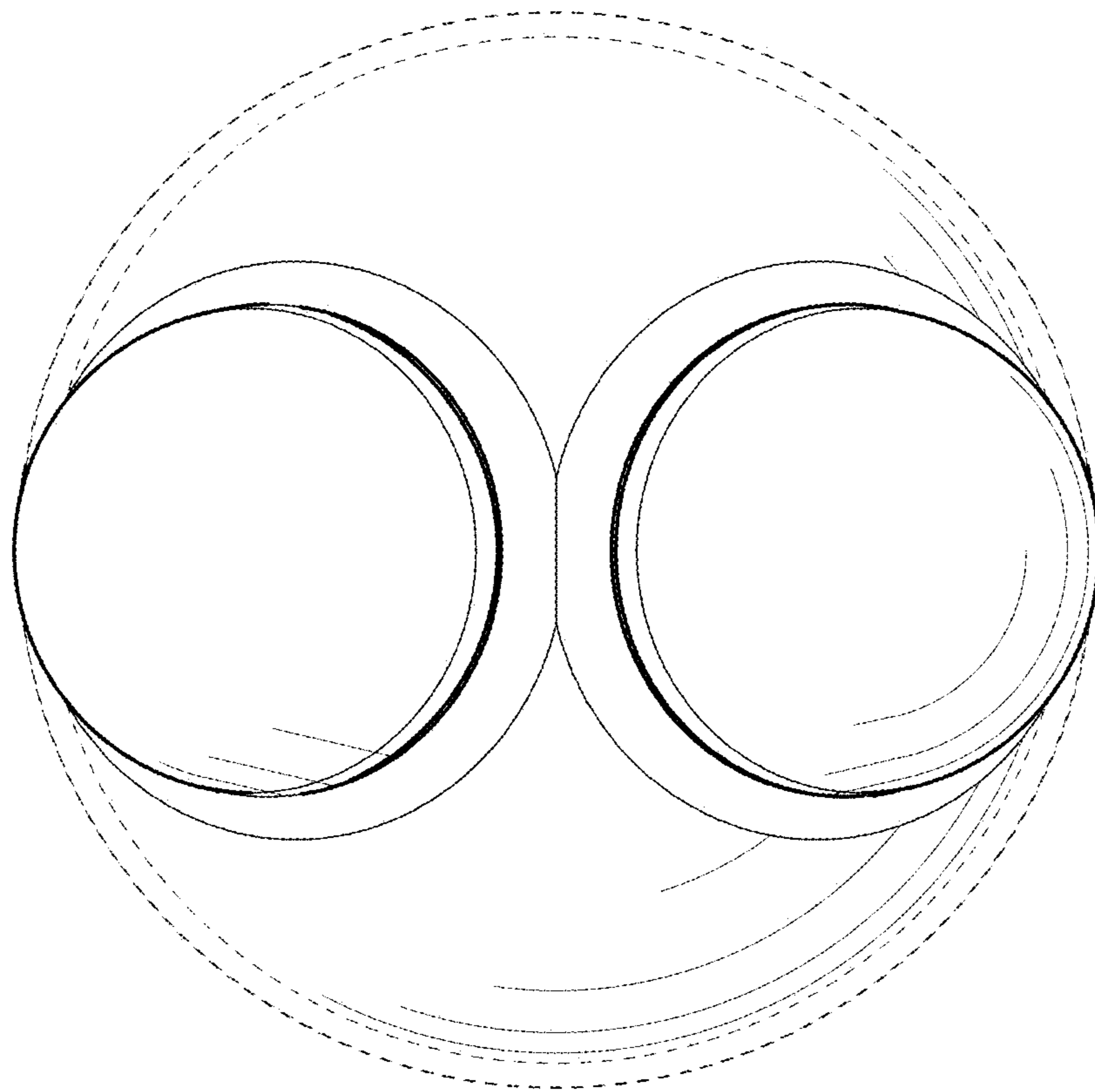


FIG. 6

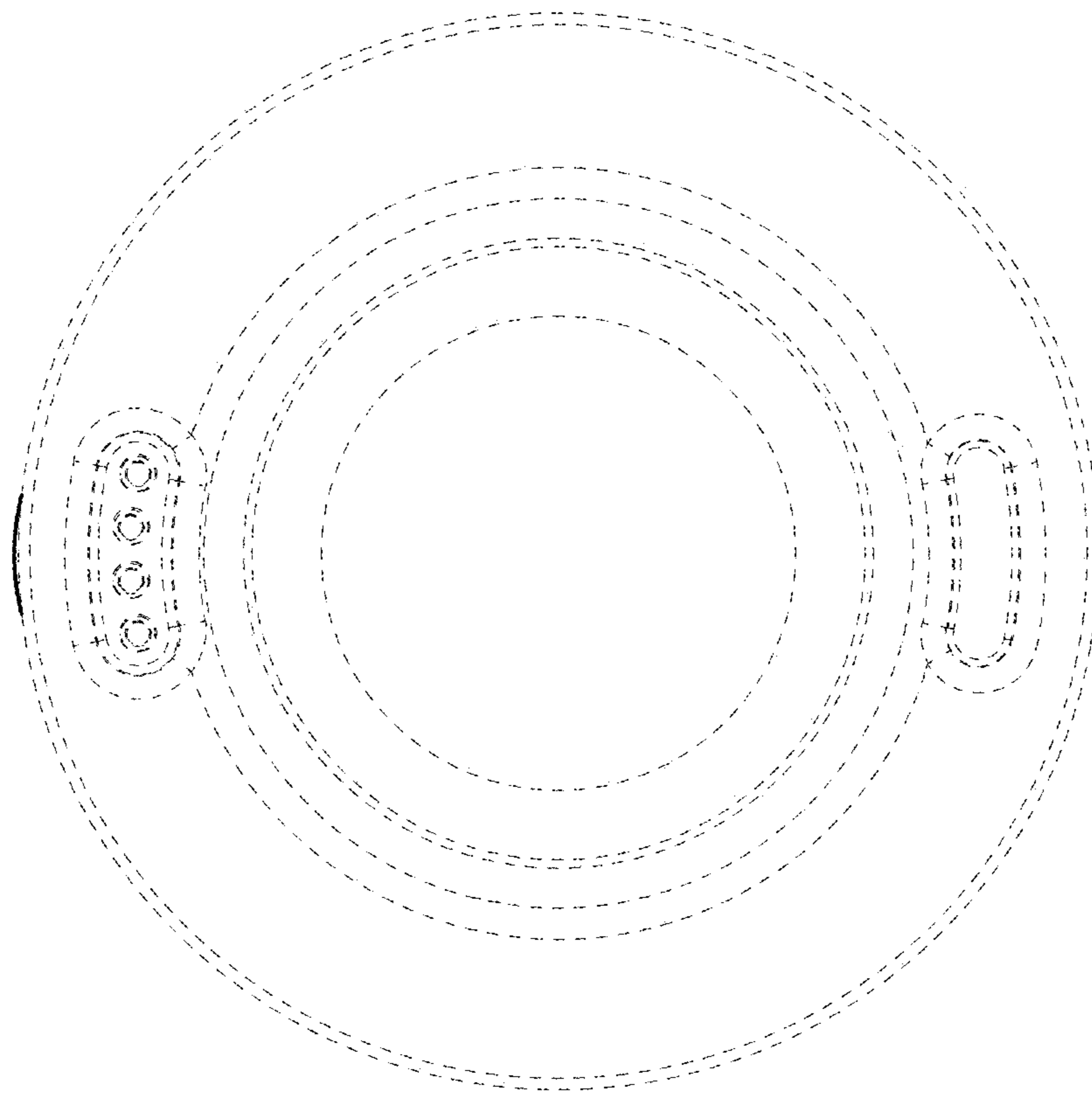


FIG. 7

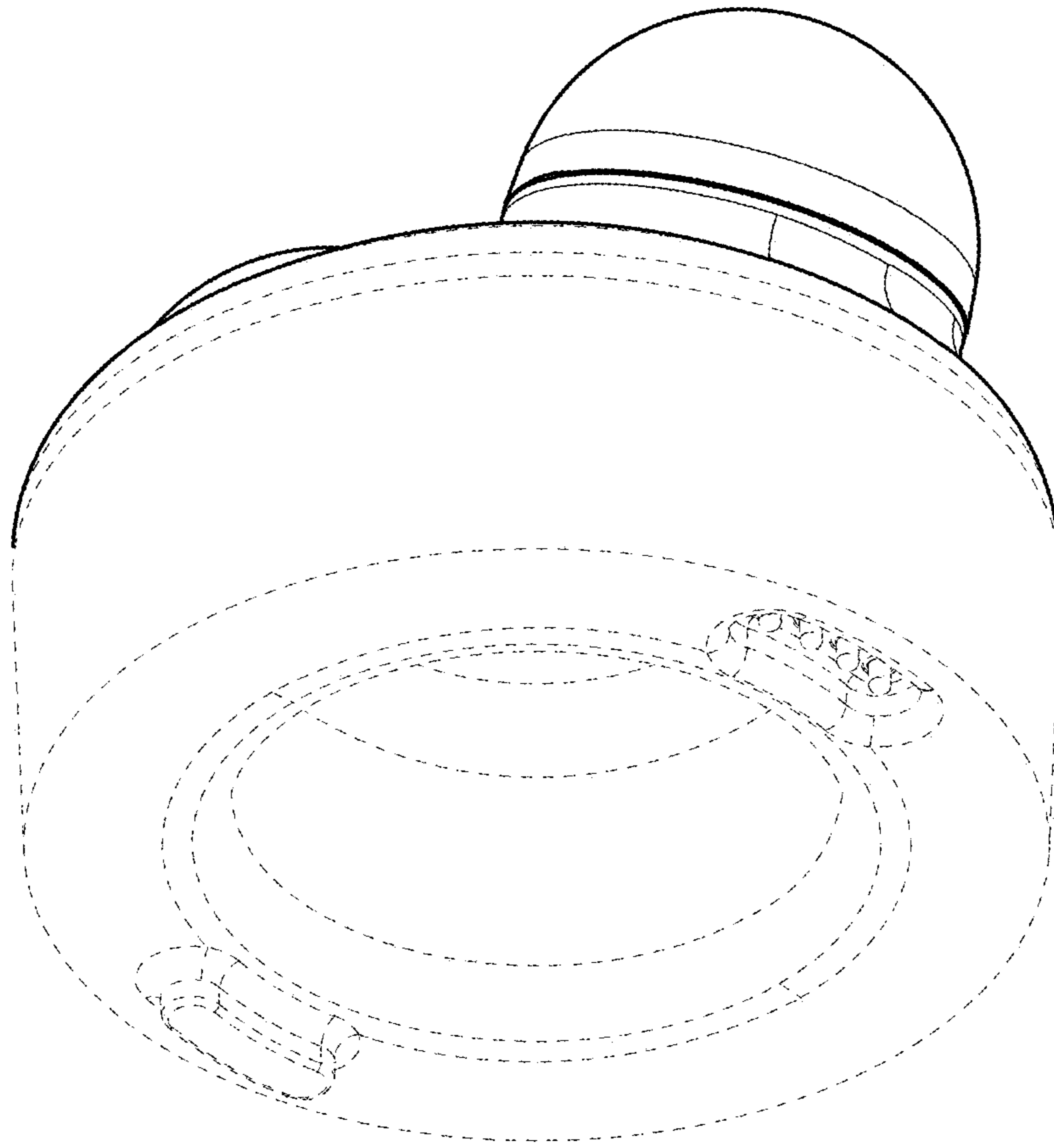


FIG. 8