



US00D985790S

(12) **United States Design Patent**  
**Kong**

(10) **Patent No.:** **US D985,790 S**

(45) **Date of Patent:** **\*\* May 9, 2023**

(54) **MASSAGER**

(71) Applicant: **SUZHOU JUHEXIANG ELECTRONICS CO., LTD.**, Suzhou (CN)

(72) Inventor: **Jin-Feng Kong**, Suzhou (CN)

(73) Assignee: **SUZHOU JUHEXIANG ELECTRONICS CO., LTD.**, Suzhou (CN)

(\*\*) Term: **15 Years**

(21) Appl. No.: **29/751,277**

(22) Filed: **Sep. 19, 2020**

(30) **Foreign Application Priority Data**

Apr. 17, 2020 (CN) ..... 202030156293.9

(51) **LOC (14) Cl.** ..... **28-03**

(52) **U.S. Cl.**  
USPC ..... **D24/215**

(58) **Field of Classification Search**  
USPC ..... D24/215, 200, 211, 212, 213, 214, 133, D24/107, 231, 184; D8/14.1, 61; D28/12, 13  
CPC ..... A61H 15/00; A61H 2015/0007; A61H 2015/0042; A61H 15/0092; A61H 15/0078; A61H 15/0085; A61H 23/00; A61H 23/006; A61H 2023/002; A61H 23/02; A61H 2201/0153; A61H 7/00; A61H 7/003; A61H 7/004; A61H 7/005; A61H 9/00; A61H 2205/06

See application file for complete search history.

(56) **References Cited**

**U.S. PATENT DOCUMENTS**

D457,044 S \* 5/2002 Cheng ..... D8/29.1  
D679,561 S \* 4/2013 Price ..... D8/29.1

D742,708 S \* 11/2015 Howell ..... D8/29.1  
10,428,850 B2 \* 10/2019 Wersland ..... A61H 1/008  
D872,869 S \* 1/2020 Lu ..... D24/215  
D877,351 S \* 3/2020 Wersland ..... D24/215  
D879,986 S \* 3/2020 Wersland ..... D24/214  
D893,738 S \* 8/2020 Zhuang ..... D24/215  
D895,133 S \* 9/2020 Xu ..... D24/215  
D896,396 S \* 9/2020 Wersland ..... D24/215  
D898,209 S \* 10/2020 Xu ..... D24/214  
D925,755 S \* 7/2021 Zheng ..... D24/215  
D949,390 S \* 4/2022 Wersland ..... D24/215  
2017/0304145 A1 \* 10/2017 Pepe ..... A61H 23/02  
2020/0261306 A1 \* 8/2020 Pepe ..... A61H 23/006

(Continued)

**OTHER PUBLICATIONS**

RxGun—QUIETec Vibration Percussion Massager. Date: Dec. 1, 2018. [online]. [Site visited Apr. 22, 2022]. Available from Internet URL: <https://us.amazon.com/dp/B07MCYXYW8/> (Year: 2018).\*

(Continued)

*Primary Examiner* — Eliza Z Harvey

*Assistant Examiner* — Landon Thomas Cassell

(74) *Attorney, Agent, or Firm* — Metis IP LLC

(57) **CLAIM**

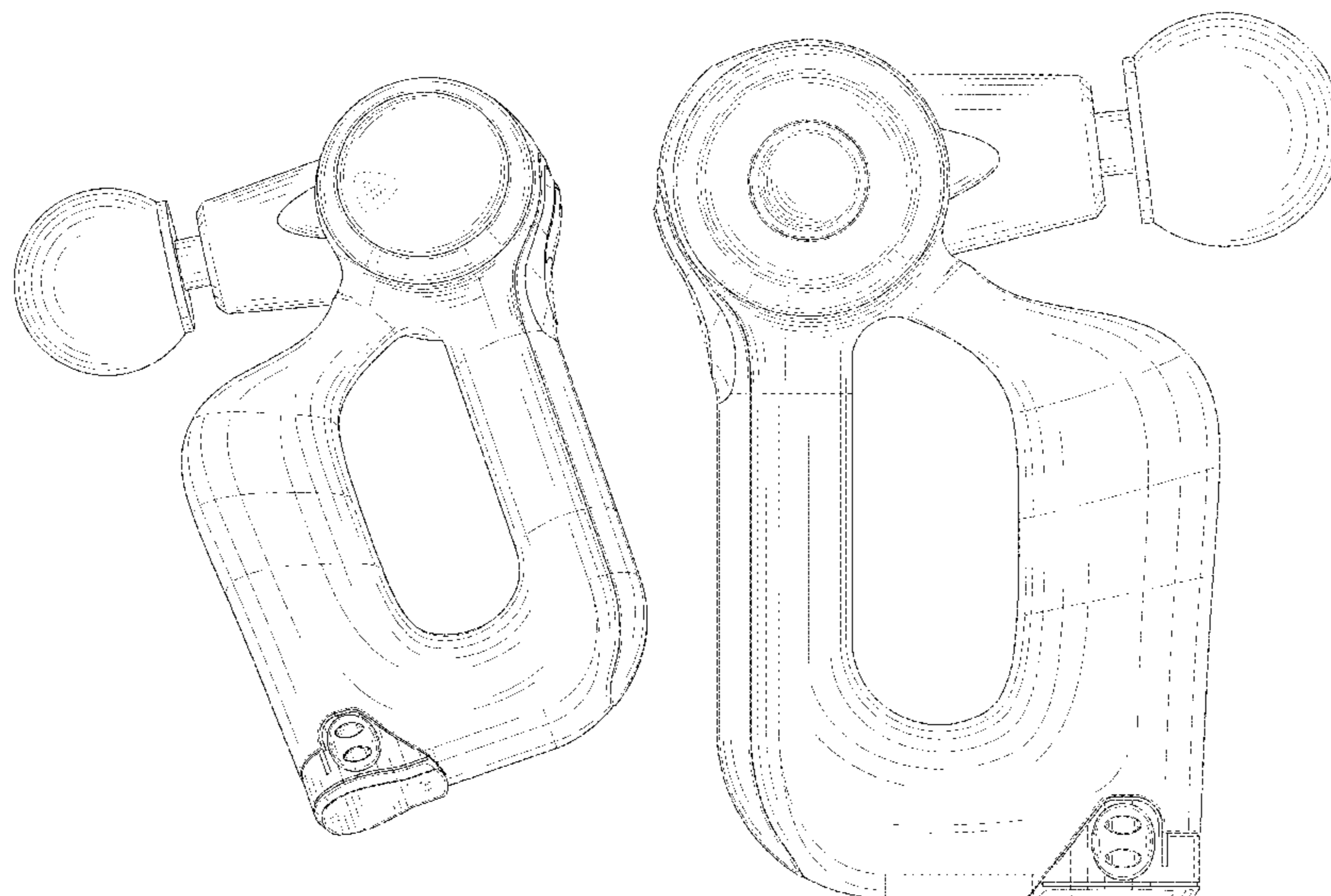
The ornamental design for a massager, as shown and described.

**DESCRIPTION**

FIG. 1 is a front, bottom and right perspective view of a massager showing the claimed design;  
FIG. 2 is a front view thereof;  
FIG. 3 is a rear view thereof;  
FIG. 4 is a left side view thereof;  
FIG. 5 is a right side view thereof;  
FIG. 6 is a top view thereof; and,  
FIG. 7 is a bottom view thereof.

The broken lines in the drawings depict portions of the massager that form no part of the claimed design.

**1 Claim, 7 Drawing Sheets**



(56)

**References Cited**

U.S. PATENT DOCUMENTS

2020/0268594 A1\* 8/2020 Pepe ..... A61H 15/0085  
2020/0352820 A1\* 11/2020 Nazarian ..... H02K 11/26

OTHER PUBLICATIONS

Massagers. (Design—© Questel) orbit.com. [Online PDF compilation of references] 51 pgs. Print Dates Range Jan. 22, 2019-Oct. 27, 2020 [Retrieved Apr. 21, 2022] <https://www.orbit.com/export/UCZAH96B/pdf4/aa224af4-0953-490a-ae0c-d058744d2dee-201826.pdf> (Year: 2022).\*

\* cited by examiner

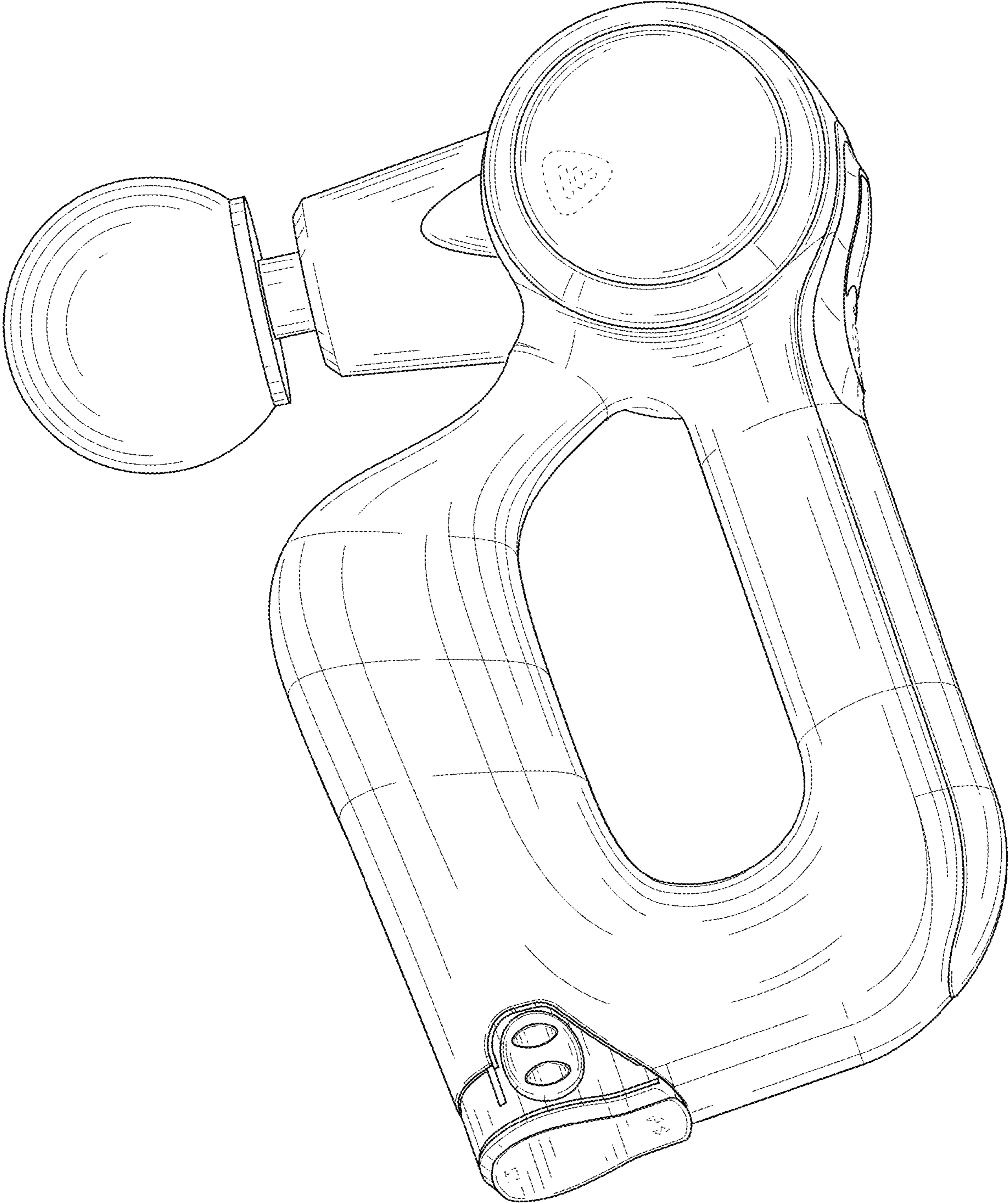


FIG. 1

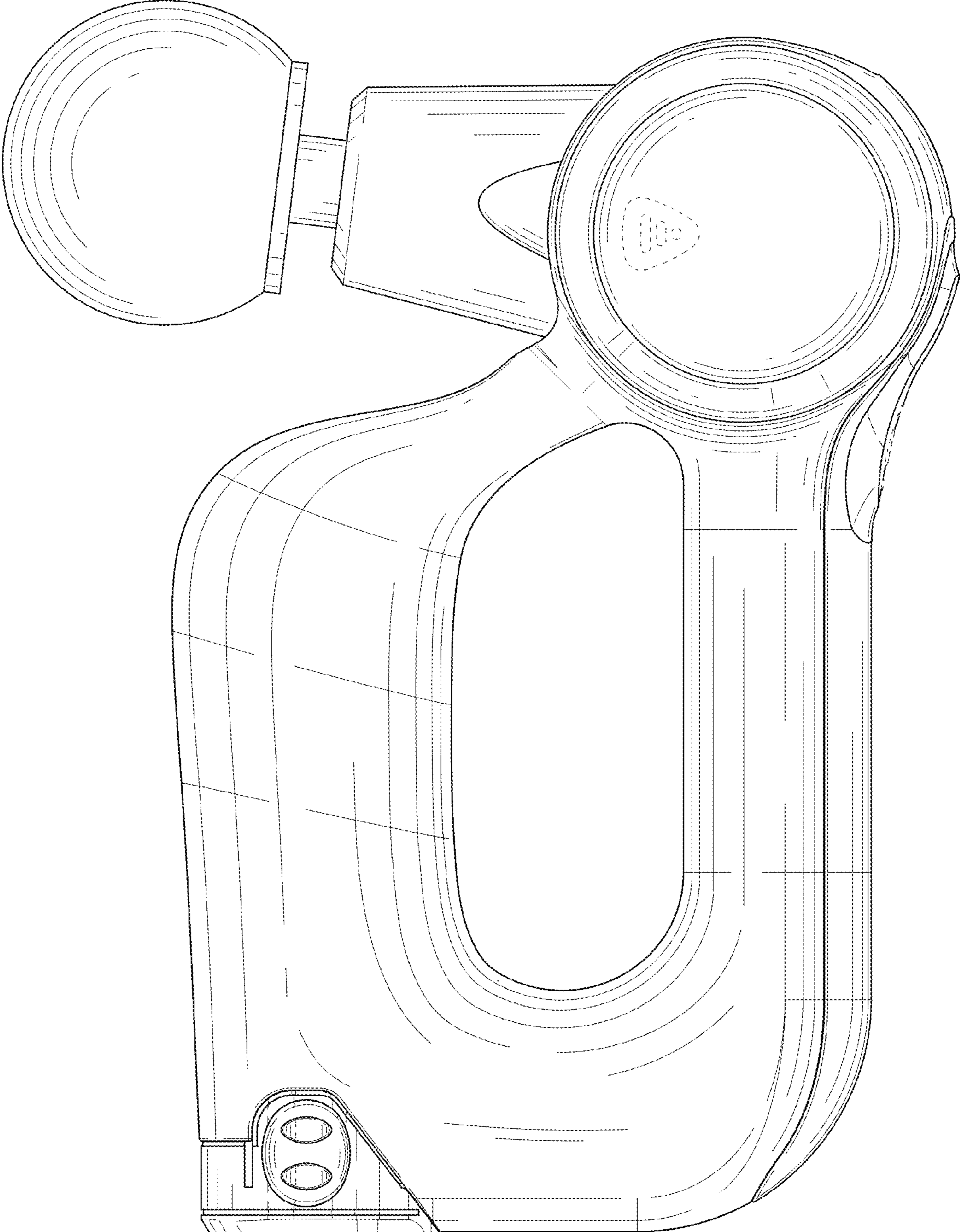


FIG. 2

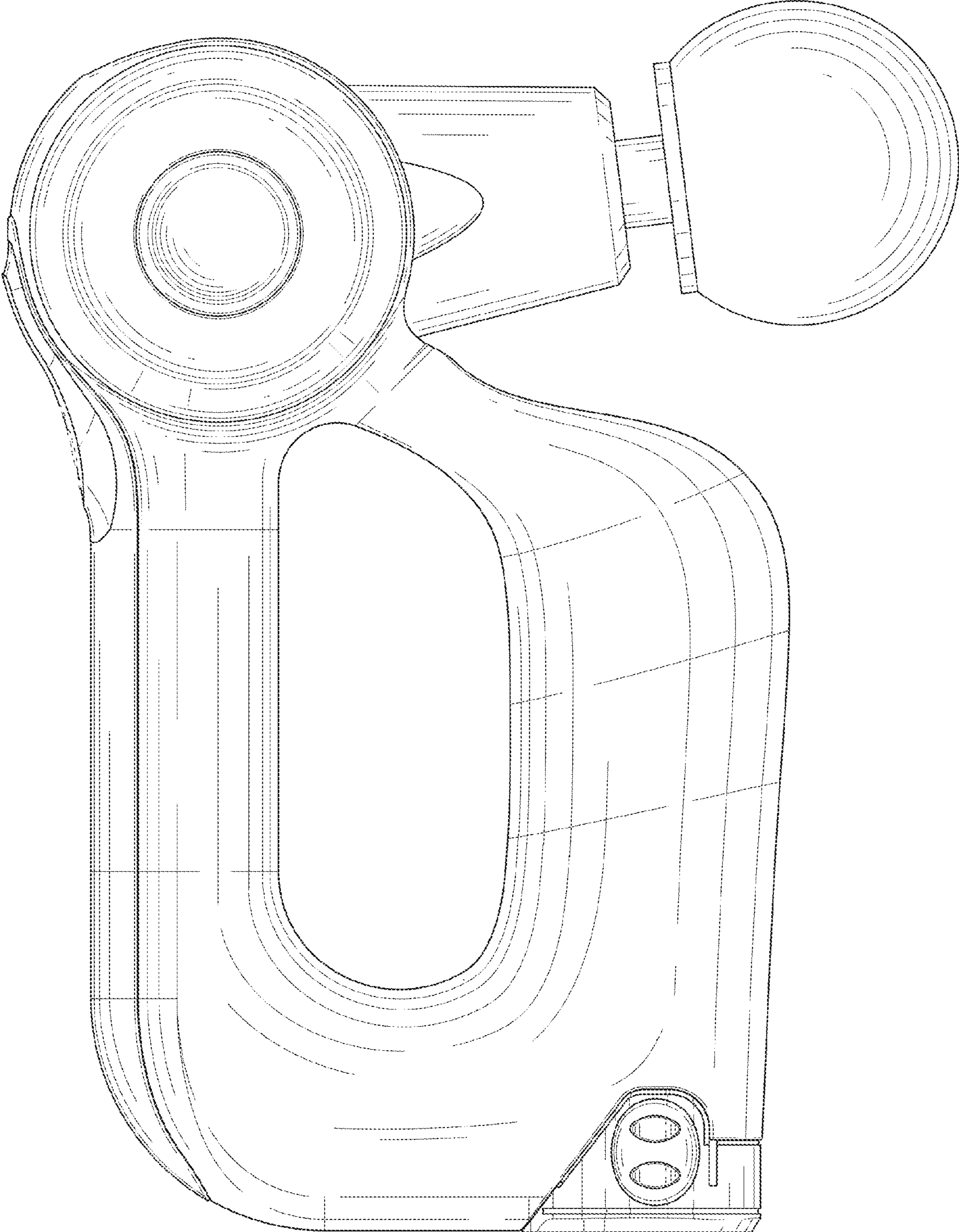


FIG. 3

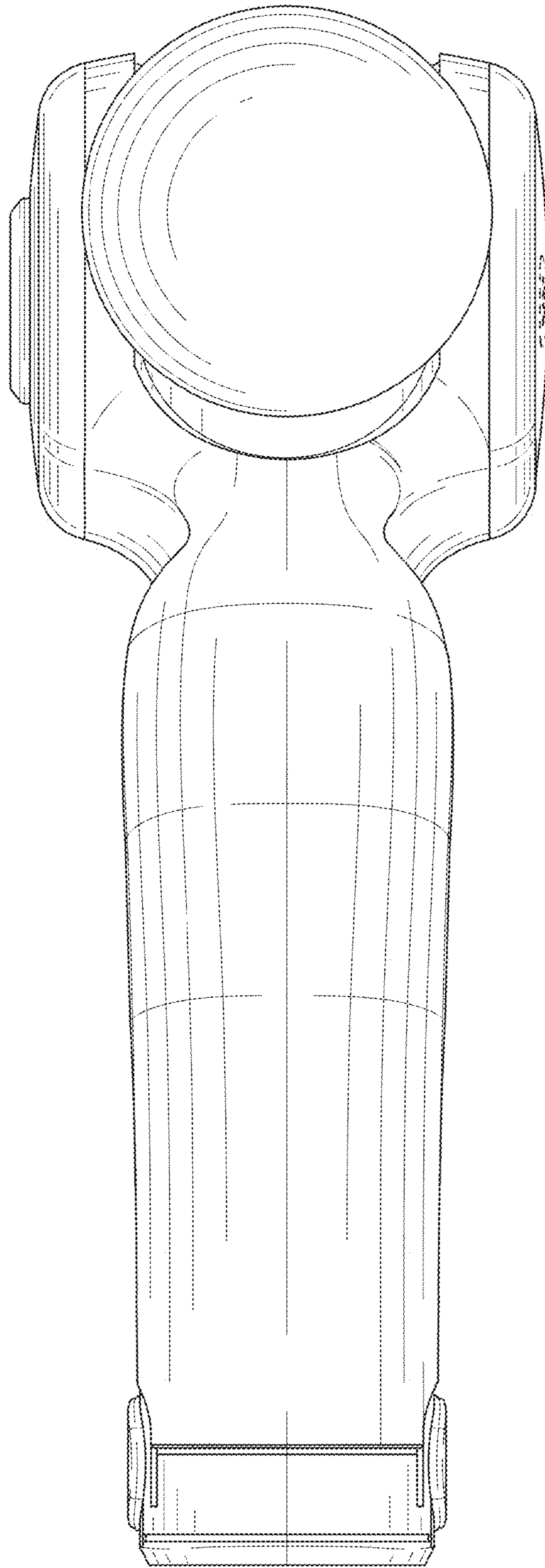
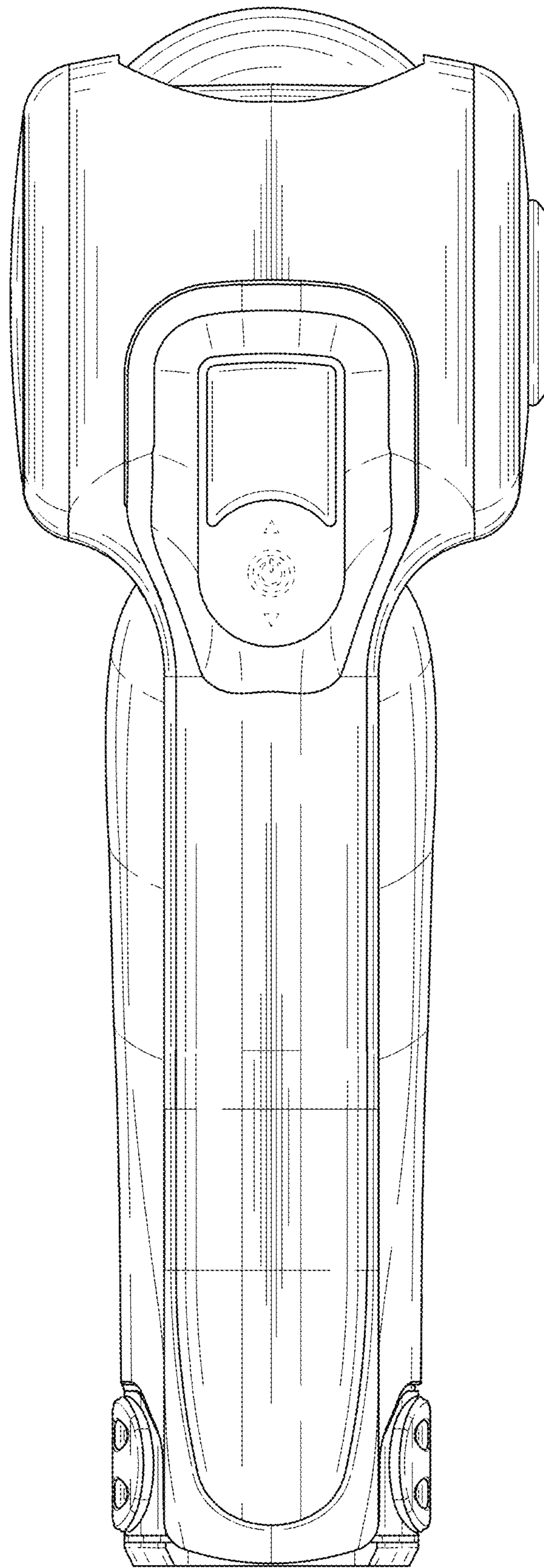
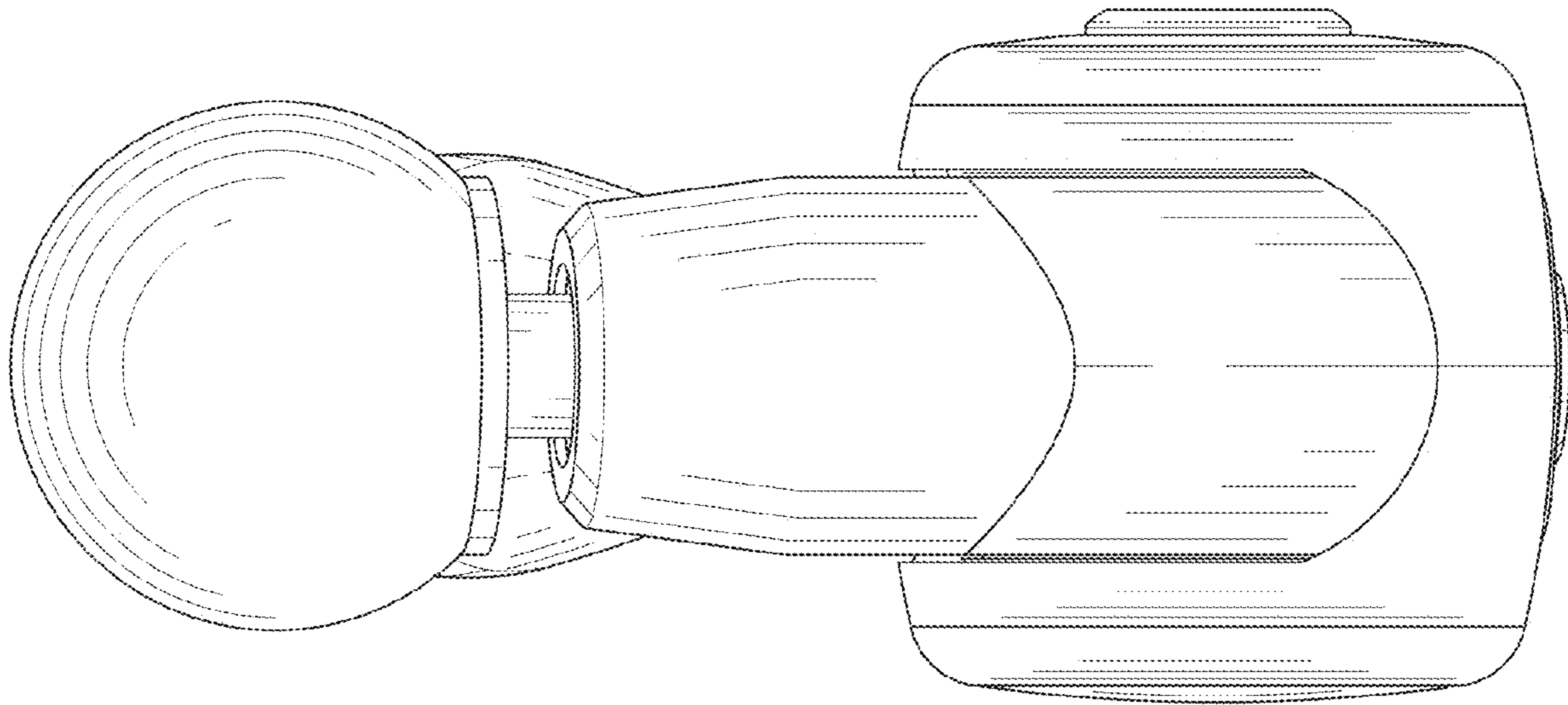


FIG. 4

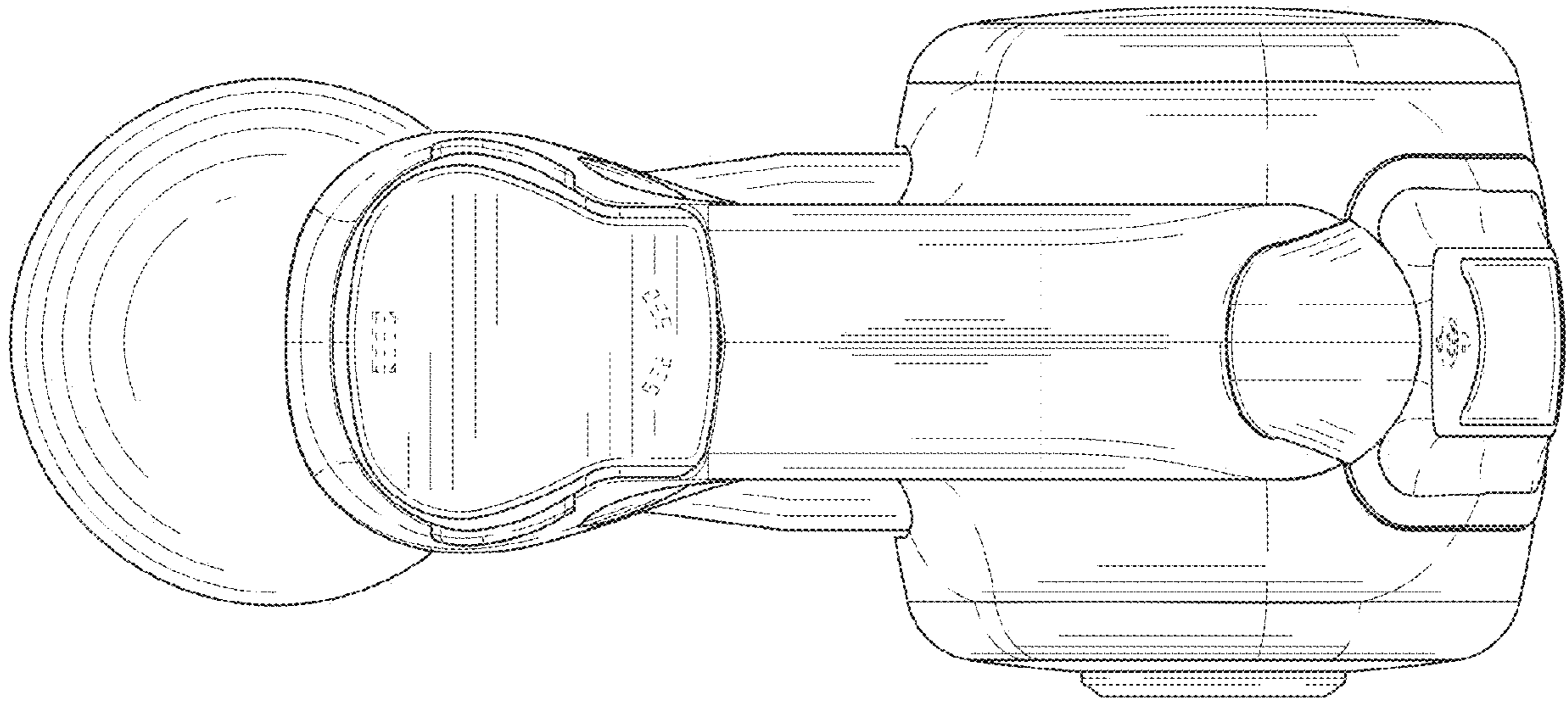


**FIG. 5**



**FIG. 6**





**FIG. 7**