



US00D985789S

(12) **United States Design Patent**  
**Han et al.**

(10) **Patent No.:** **US D985,789 S**

(45) **Date of Patent:** **\*\* May 9, 2023**

(54) **MESSAGE GUN**

(71) Applicant: **Zhejiang Bailong Plastic Products Co., Ltd.**, Jinhua (CN)

(72) Inventors: **Jianting Han**, Jinhua (CN);  
**Changhong Han**, Jinhua (CN)

(73) Assignee: **ZHEJIANG BAILONG PLASTIC PRODUCTS CO., LTD.**, Zhejiang (CN)

(\*\*) Term: **15 Years**

(21) Appl. No.: **29/734,971**

(22) Filed: **May 17, 2020**

(30) **Foreign Application Priority Data**

Jan. 17, 2020 (CN) ..... 202030034551.6

(51) **LOC (14) Cl.** ..... **28-03**

(52) **U.S. Cl.**  
USPC ..... **D24/215**

(58) **Field of Classification Search**  
USPC ..... D24/215, 200, 211, 212, 213, 214, 133,  
D24/107, 231, 184; D8/14.1, 61;  
D28/12, 13

(Continued)

(56) **References Cited**

**U.S. PATENT DOCUMENTS**

D441,267 S \* 5/2001 Heun ..... B25F 5/02  
D8/61

D554,461 S \* 11/2007 Kokawa ..... D8/61  
(Continued)

**OTHER PUBLICATIONS**

Chirogun Percussion Massage Gun. Date: Jan. 1, 2020. [online],  
[Site visited Jan. 14, 2022], Available from Internet URL: <https://www.amazon.com/dp/B09CZ8YDTC/> (Year: 2020).\*

(Continued)

*Primary Examiner* — Eliza Z Harvey

*Assistant Examiner* — Landon Thomas Cassell

(74) *Attorney, Agent, or Firm* — Bayramoglu Law Offices LLC

(57) **CLAIM**

The ornamental design for a massage gun, as shown and described.

**DESCRIPTION**

FIG. 1 is a front elevation view of a massage gun showing our new design.

FIG. 2 is a rear elevation view thereof.

FIG. 3 is a left side elevation view thereof.

FIG. 4 is a right side elevation view thereof.

FIG. 5 is a top plan view thereof.

FIG. 6 is a bottom plan view thereof.

FIG. 7 is a perspective view thereof.

FIG. 8 is a front elevation view of the design in an alternate configuration of use.

FIG. 9 is a rear elevation view thereof.

FIG. 10 is an enlarged left side elevation view thereof.

FIG. 11 is an enlarged right side elevation view thereof.

FIG. 12 is a top plan view thereof.

FIG. 13 is a bottom plan view thereof.

FIG. 14 is a perspective view thereof.

FIG. 15 is a front elevation view of the design in another alternate configuration of use.

FIG. 16 is a rear elevation view thereof.

FIG. 17 is an enlarged left side elevation view thereof.

FIG. 18 is an enlarged right side elevation view thereof.

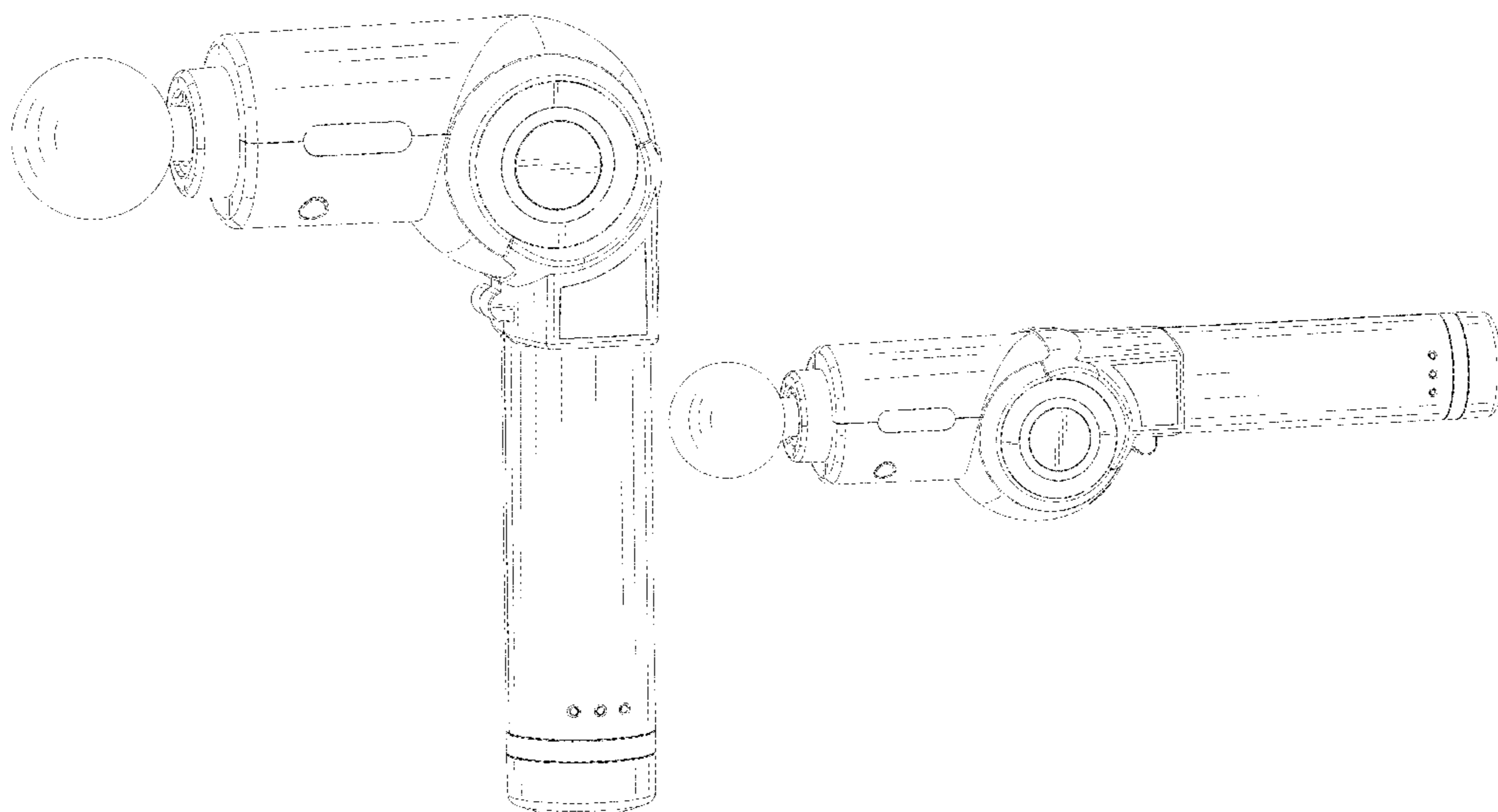
FIG. 19 is a top plan view thereof.

FIG. 20 is a bottom plan view thereof; and,

FIG. 21 is a perspective view thereof.

The broken lines in the drawings depict portions of the massage gun that form no part of the claimed design.

**1 Claim, 11 Drawing Sheets**



(58) **Field of Classification Search**

CPC ..... A61H 15/00; A61H 2015/0042; A61H  
15/0092; A61H 15/0078; A61H 15/0085;  
A61H 23/00; A61H 23/006; A61H  
2023/002; A61H 23/02; A61H 2201/0153;  
A61H 7/00; A61H 7/003; A61H 7/004;  
A61H 7/005; A61H 9/00; A61H 2205/06;  
A61H 2015/0007

See application file for complete search history.

(56)

**References Cited**

U.S. PATENT DOCUMENTS

D572,097 S \* 7/2008 Yung-Kuan ..... D28/13  
D703,017 S \* 4/2014 Concari ..... B25B 21/00  
D8/61  
D847,364 S \* 4/2019 Lee ..... D24/215

D855,822 S \* 8/2019 Marton ..... D24/215  
D877,351 S \* 3/2020 Wersland ..... D24/215  
D884,915 S \* 5/2020 Wersland ..... D24/215  
D885,601 S \* 5/2020 Wersland ..... D24/215  
D923,190 S \* 6/2021 Xu ..... D24/214  
D927,714 S \* 8/2021 Li ..... D24/215  
2019/0175434 A1 \* 6/2019 Zhang ..... A61H 15/0085  
2020/0085675 A1 \* 3/2020 Lee ..... A61H 1/00

OTHER PUBLICATIONS

Massage guns. (Design—© Questel) orbit.com. [Online PDF com-  
pilation of references] 27 pgs. Print Dates Range Feb. 15, 2019-Jul.  
31, 2020 [Retrieved Apr. 21, 2022] [https://www.orbit.com/export/  
UCZAH96B/pdf4/b888a9dc-6cf1-47ae-b245-6a595edd97db-172242.  
pdf](https://www.orbit.com/export/UCZAH96B/pdf4/b888a9dc-6cf1-47ae-b245-6a595edd97db-172242.pdf) (Year: 2022).\*

\* cited by examiner

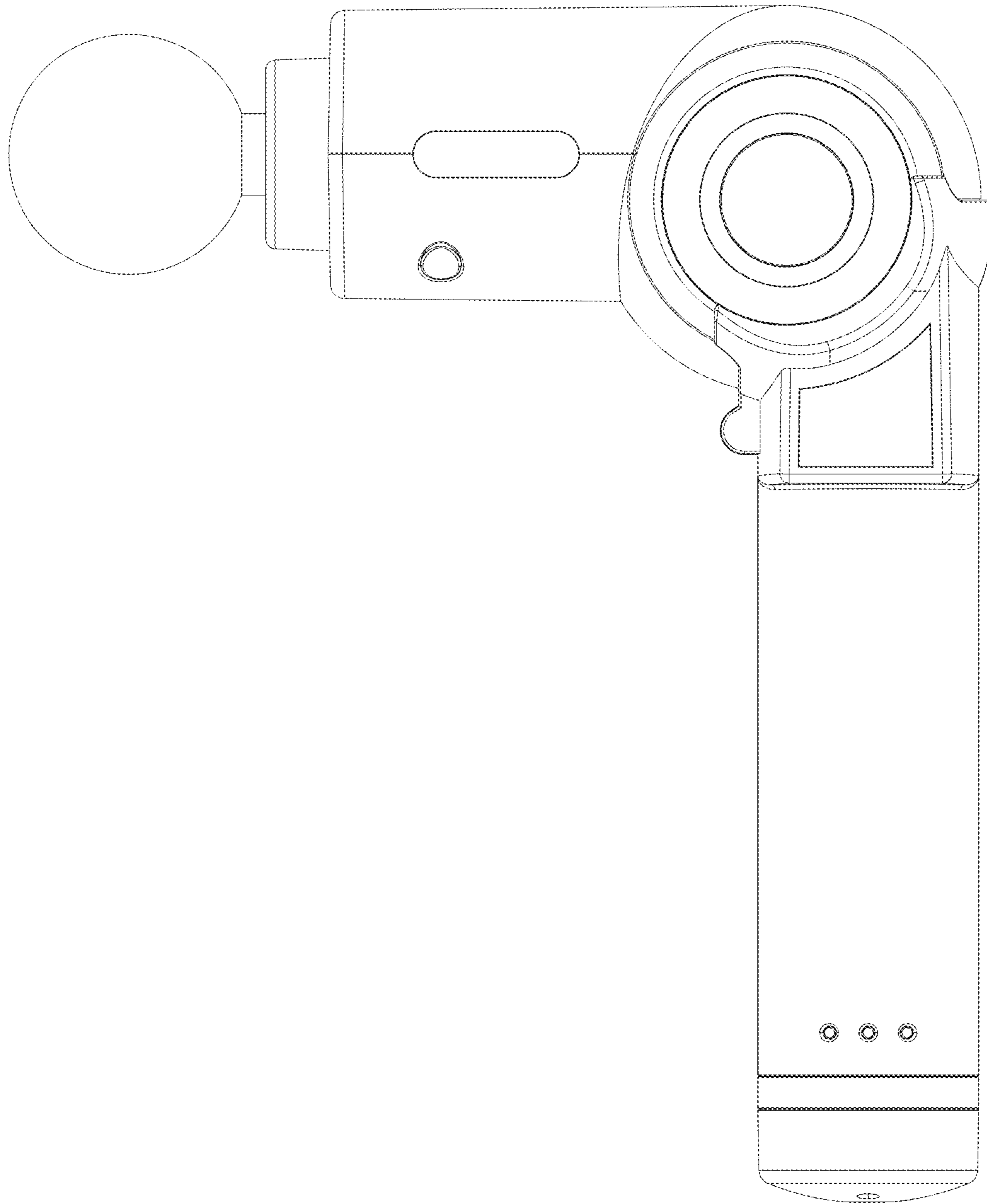


FIG. 1

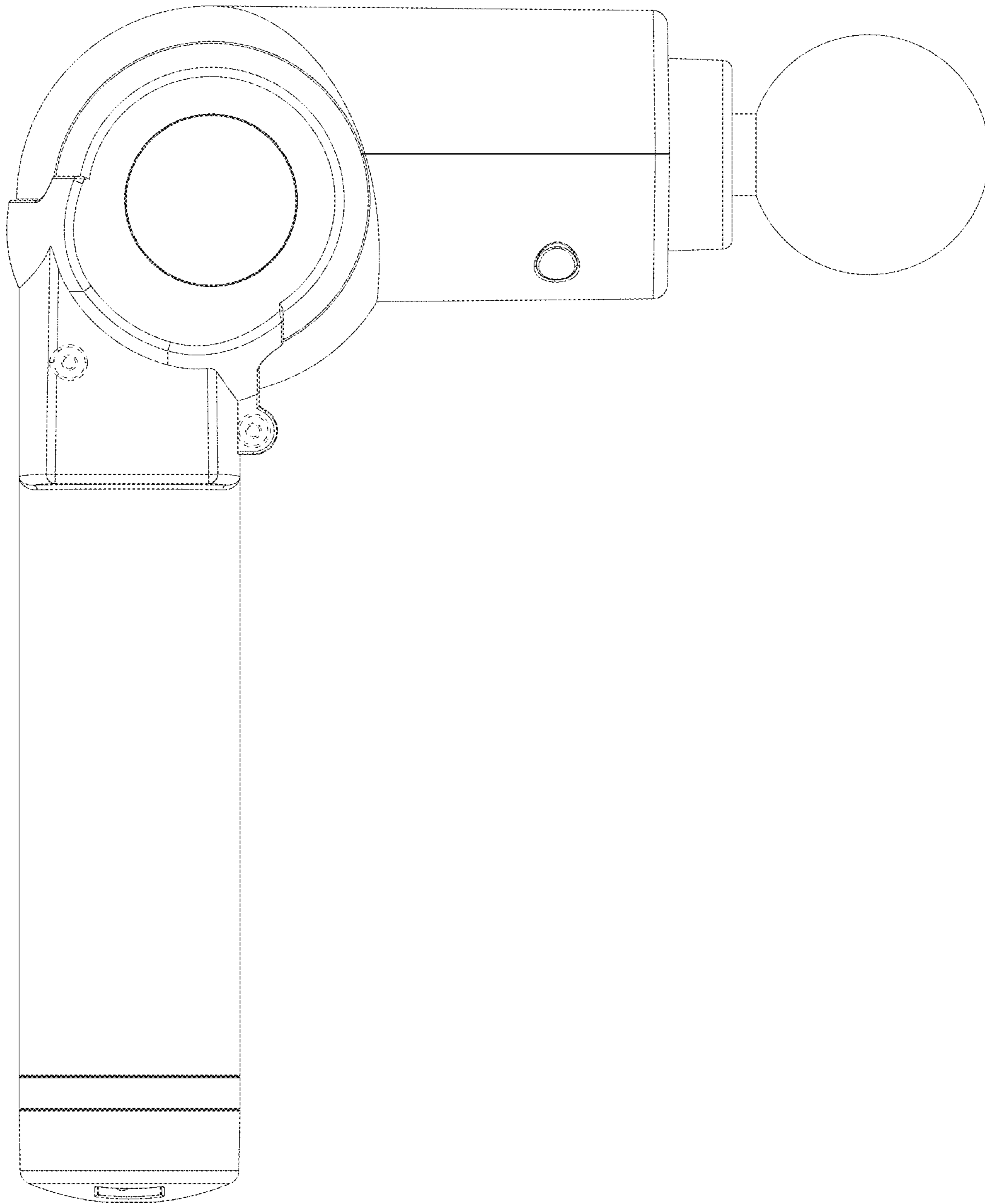


FIG. 2

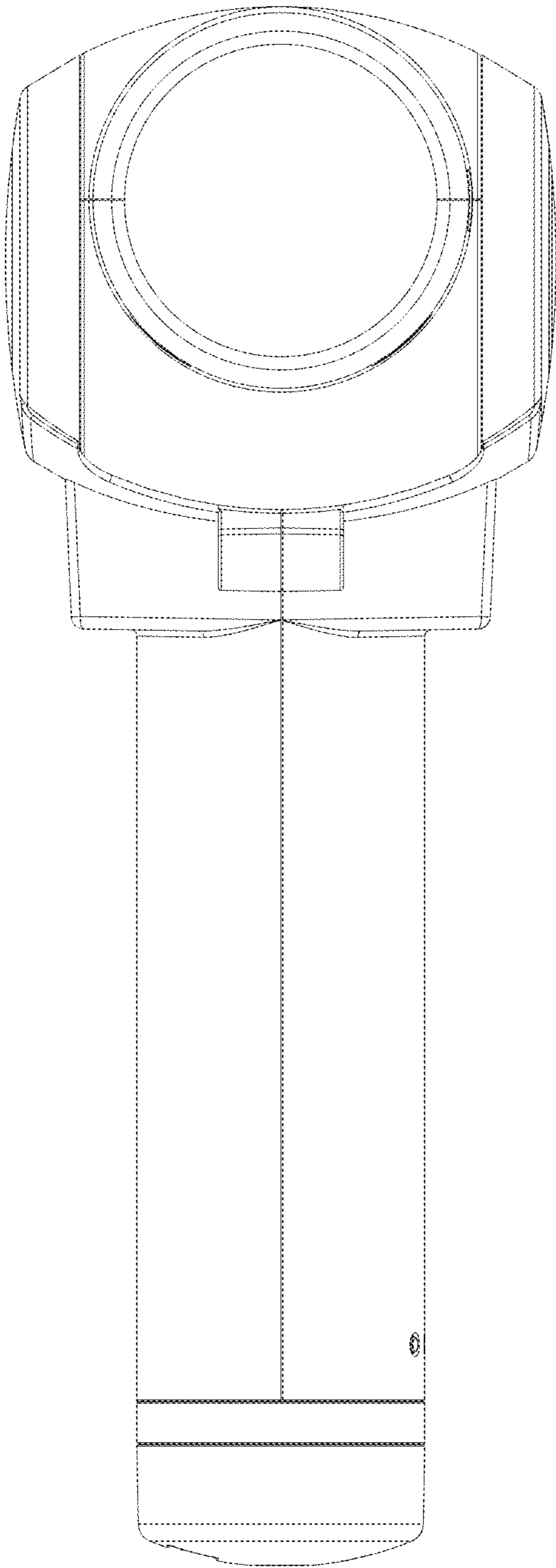


FIG. 3

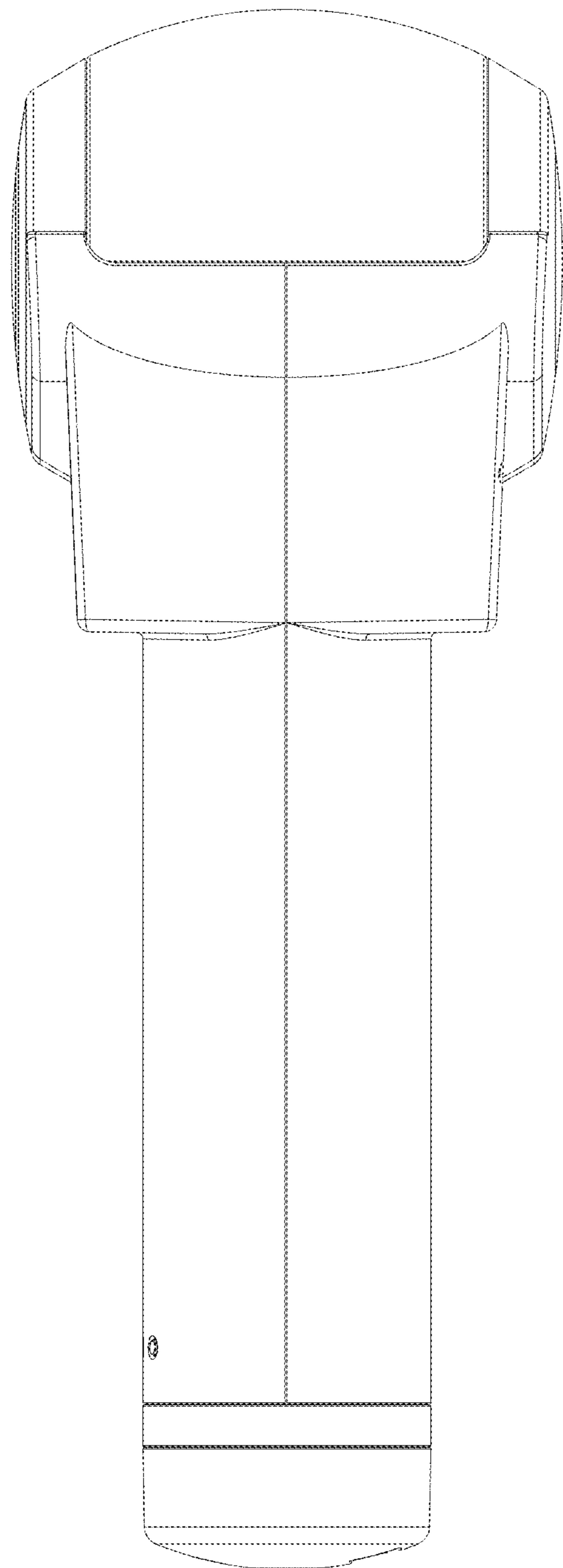


FIG. 4

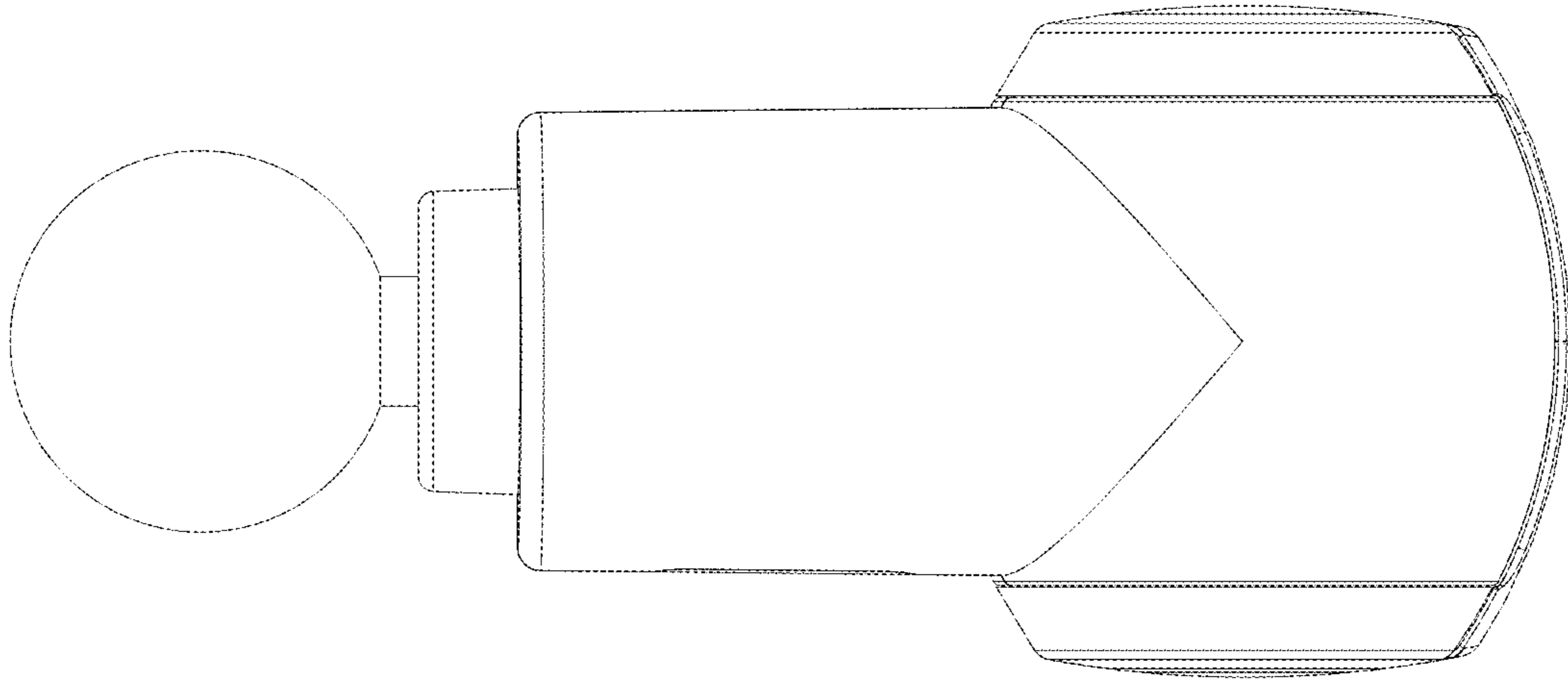


FIG. 5

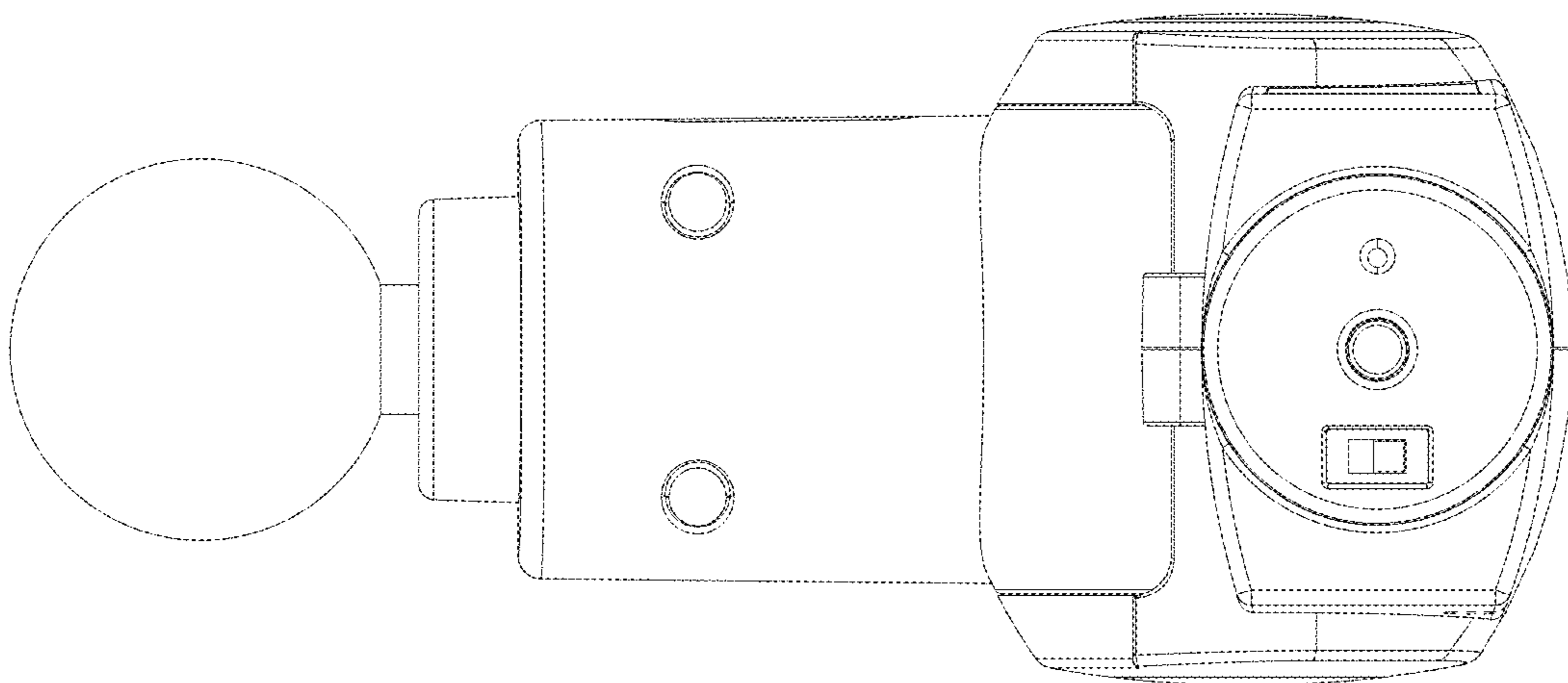


FIG. 6

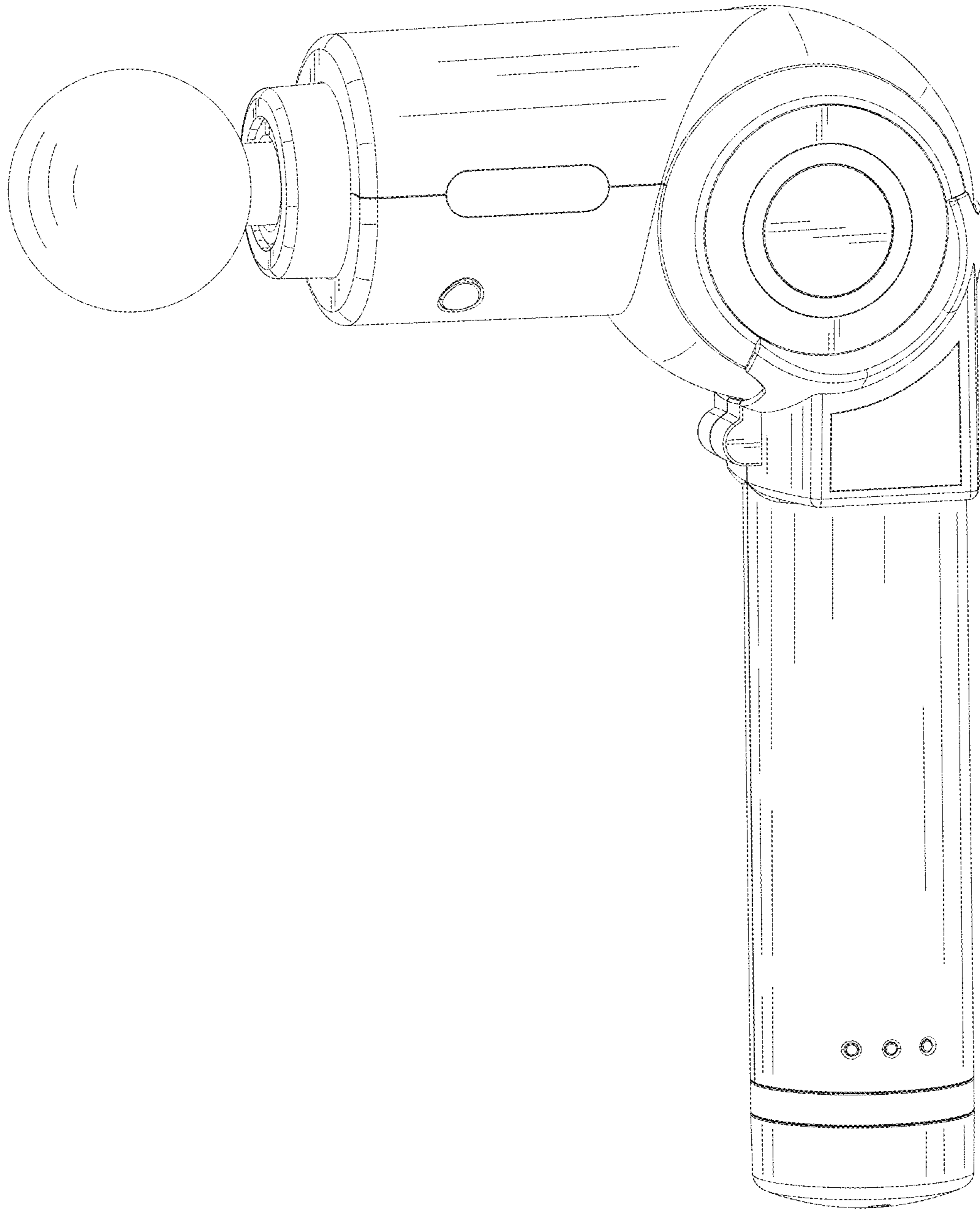


FIG. 7

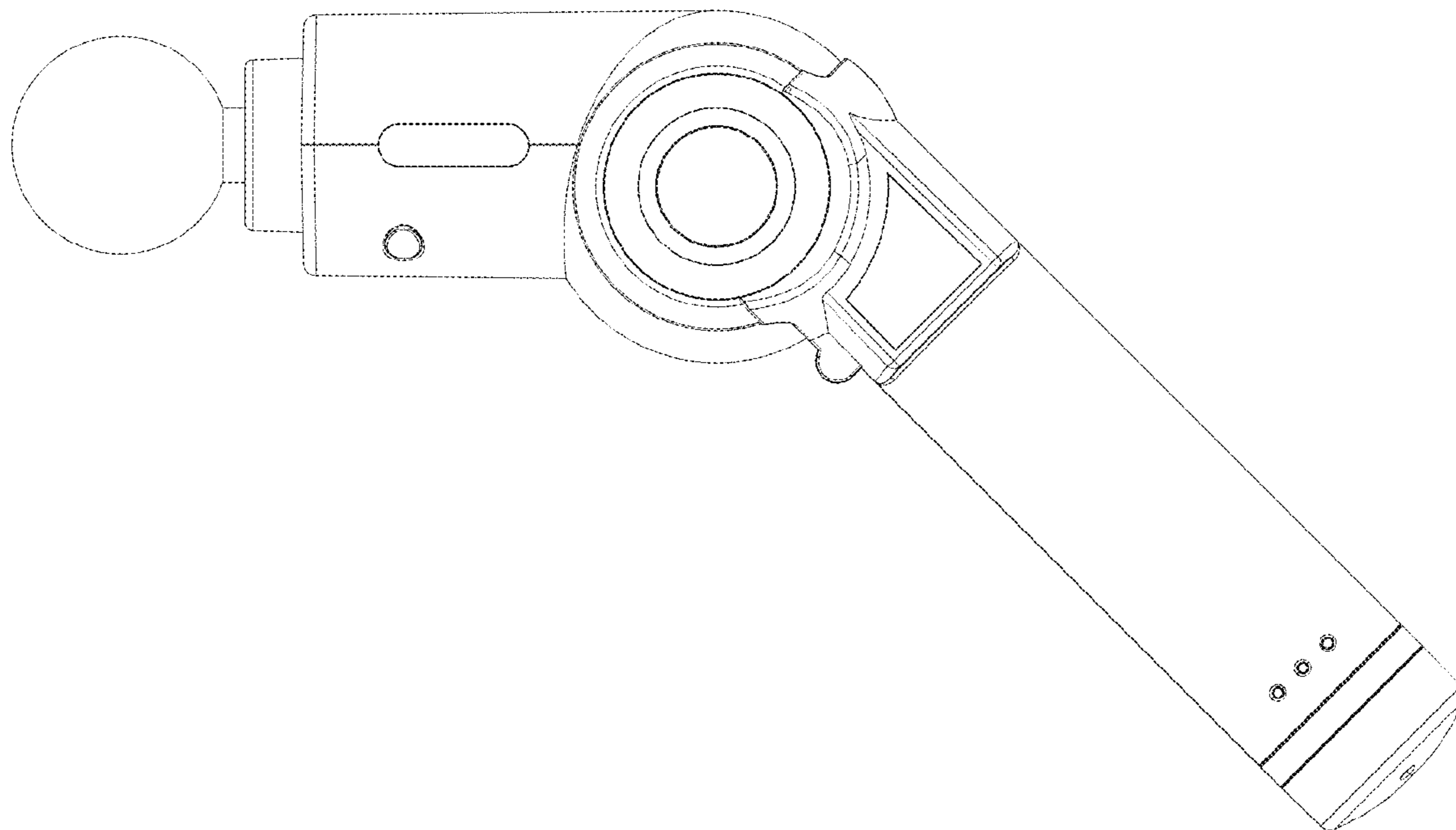


FIG. 8

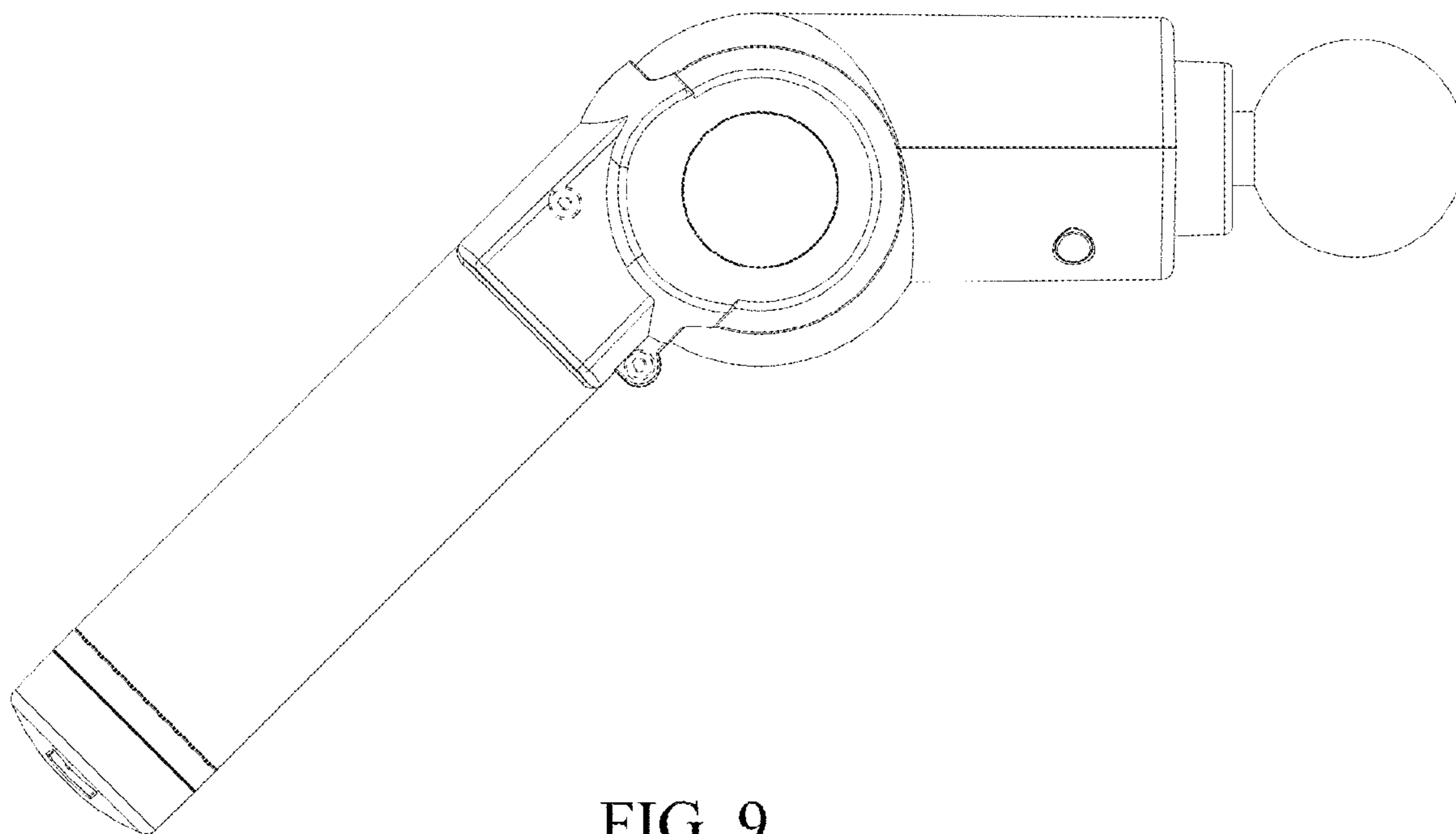


FIG. 9



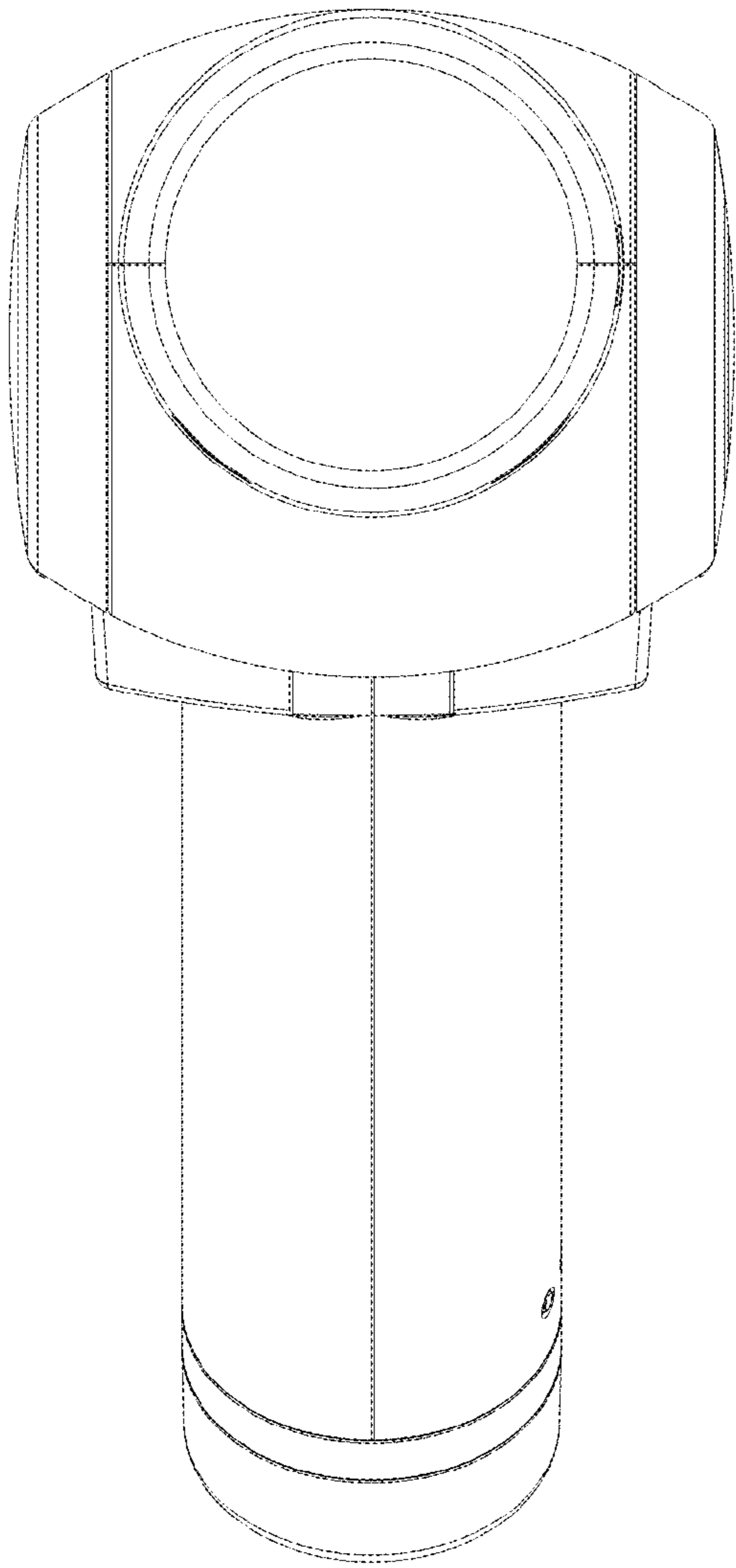


FIG. 10

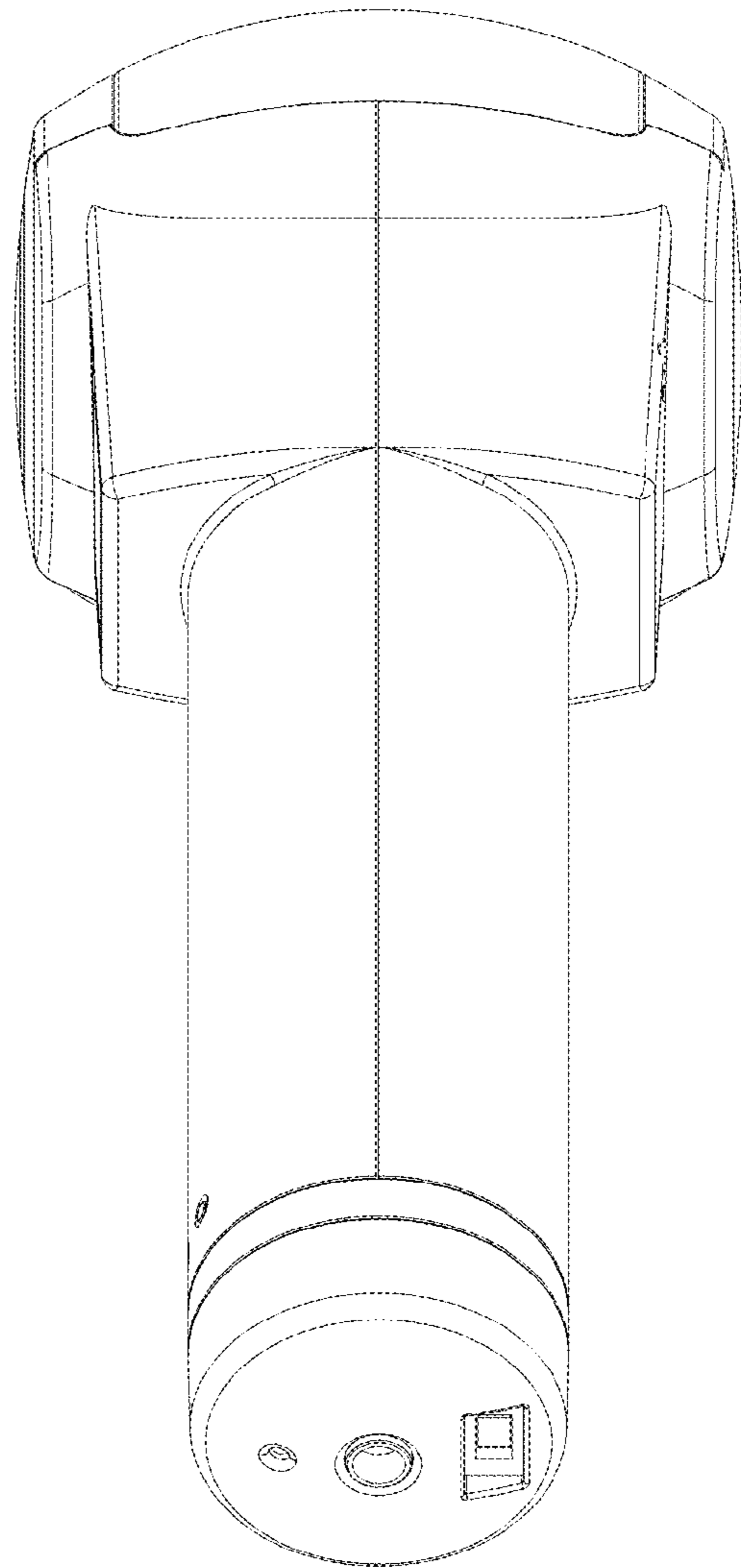


FIG. 11

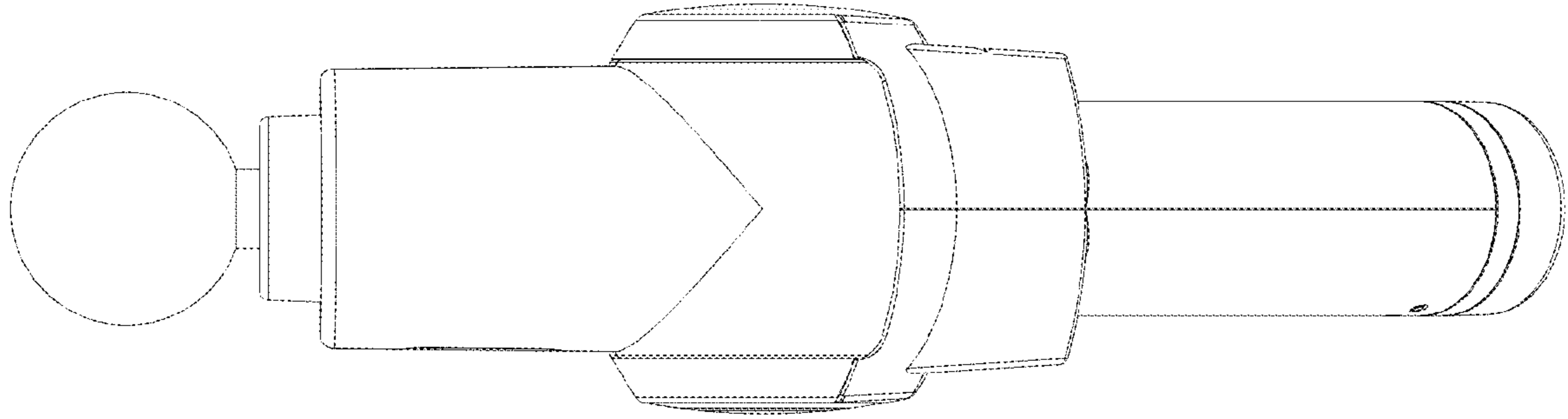


FIG. 12

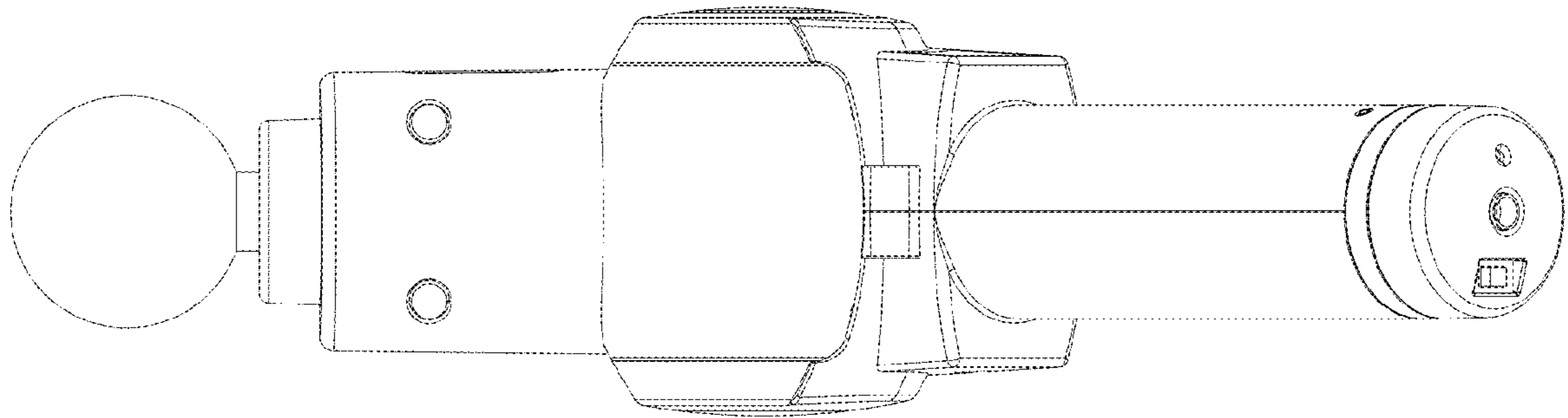


FIG. 13

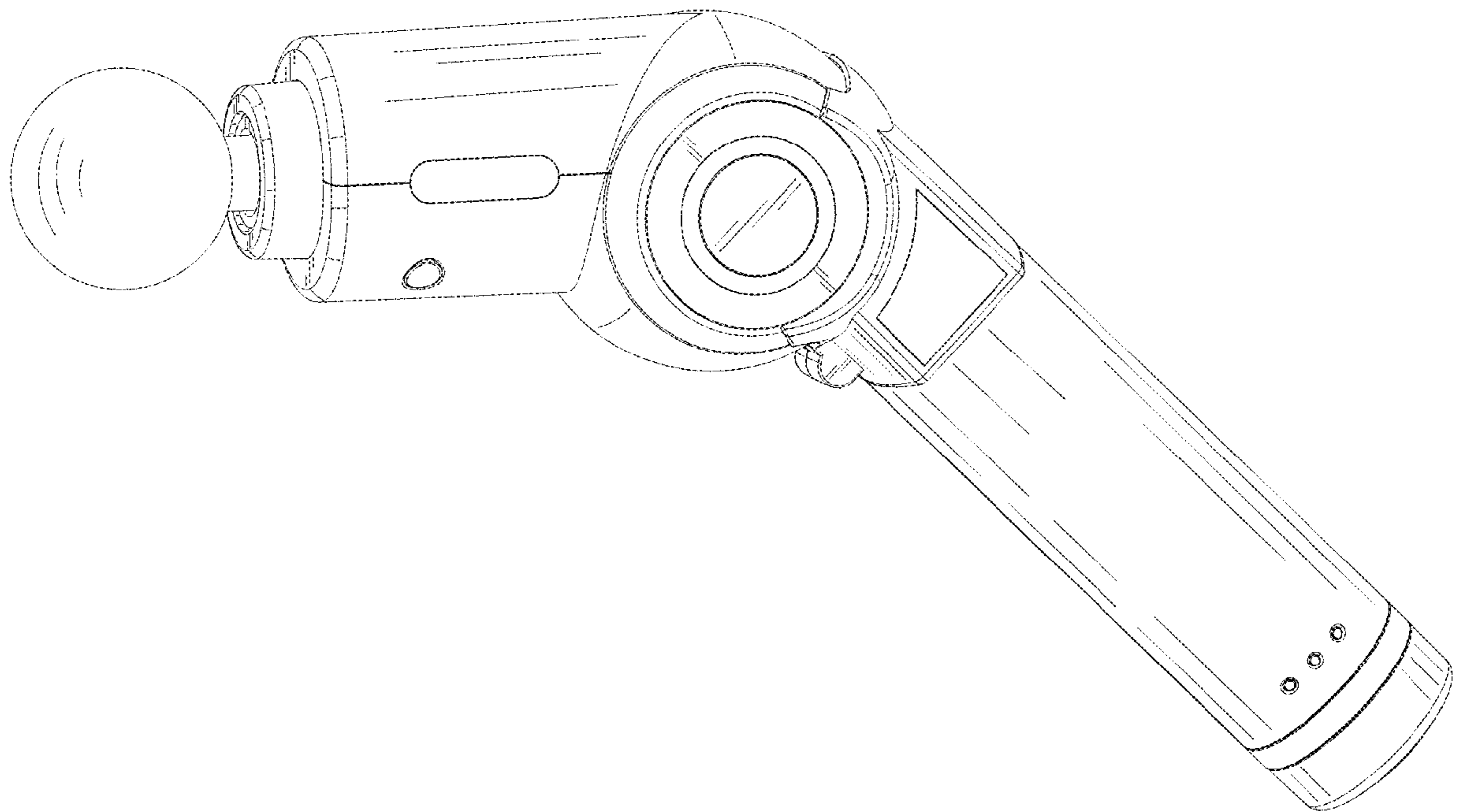


FIG. 14

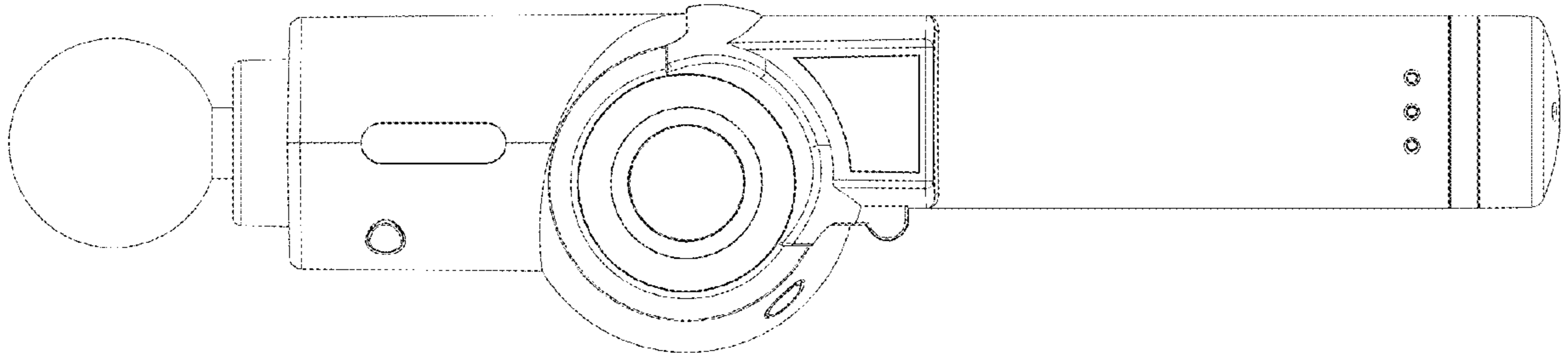


FIG. 15

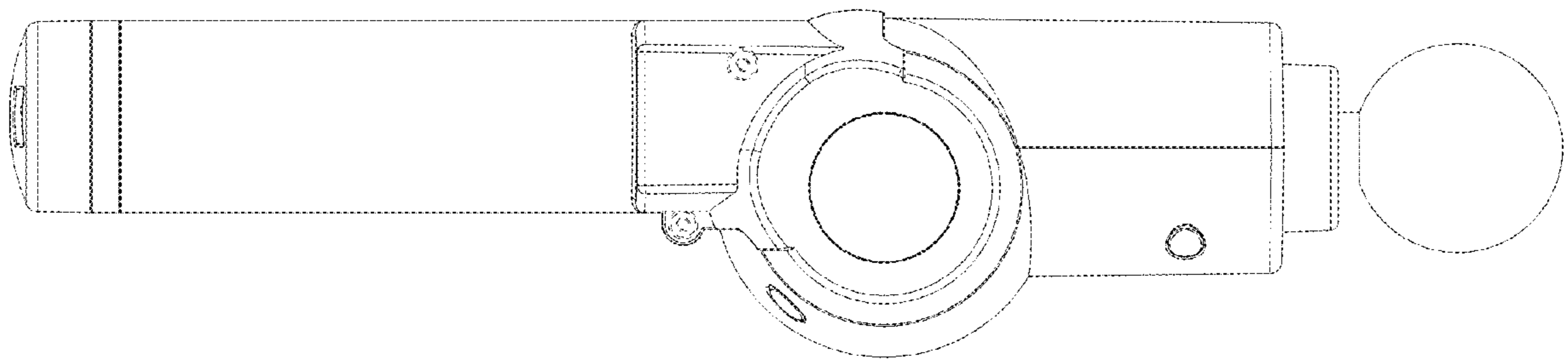


FIG. 16

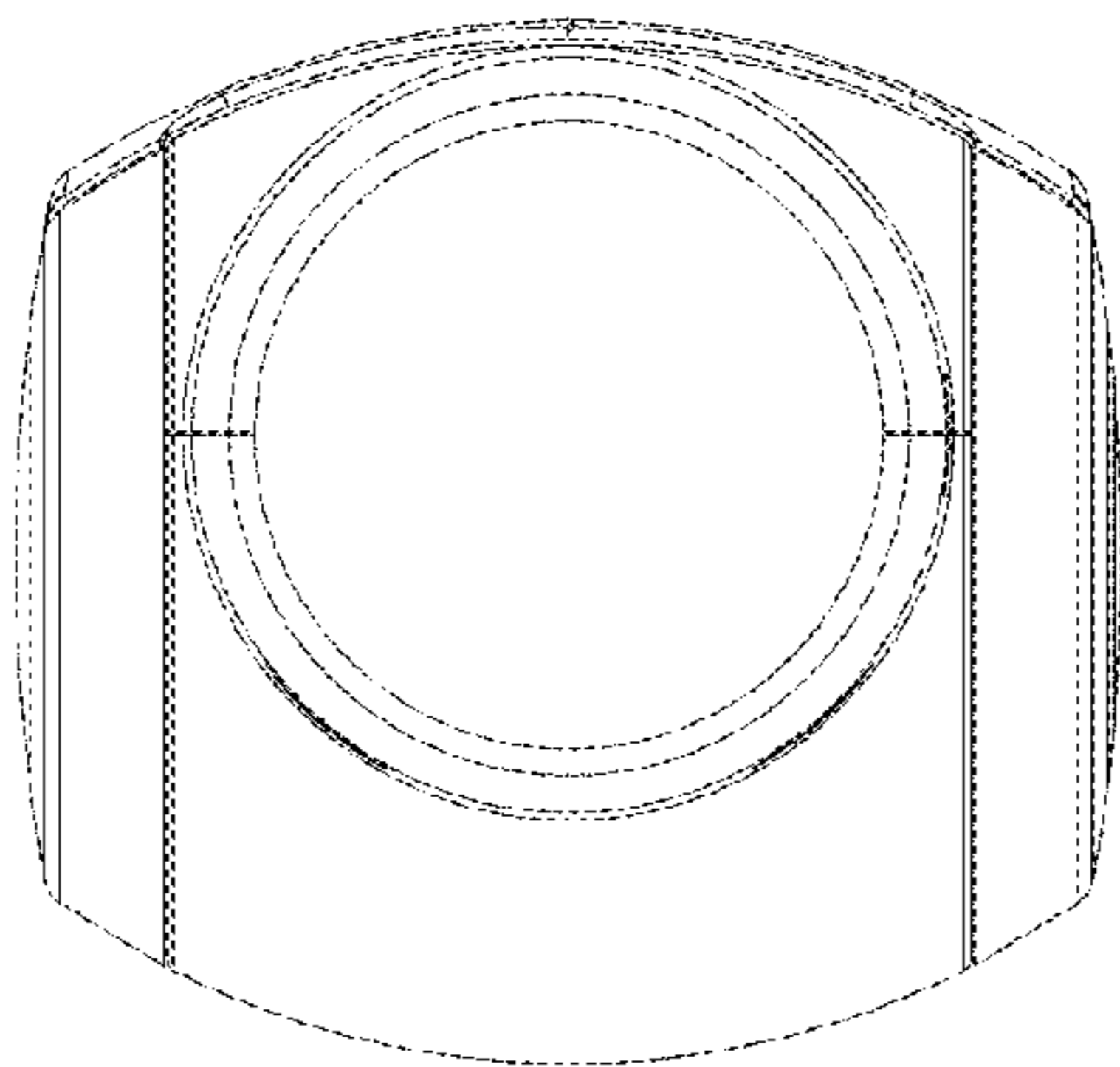


FIG. 17

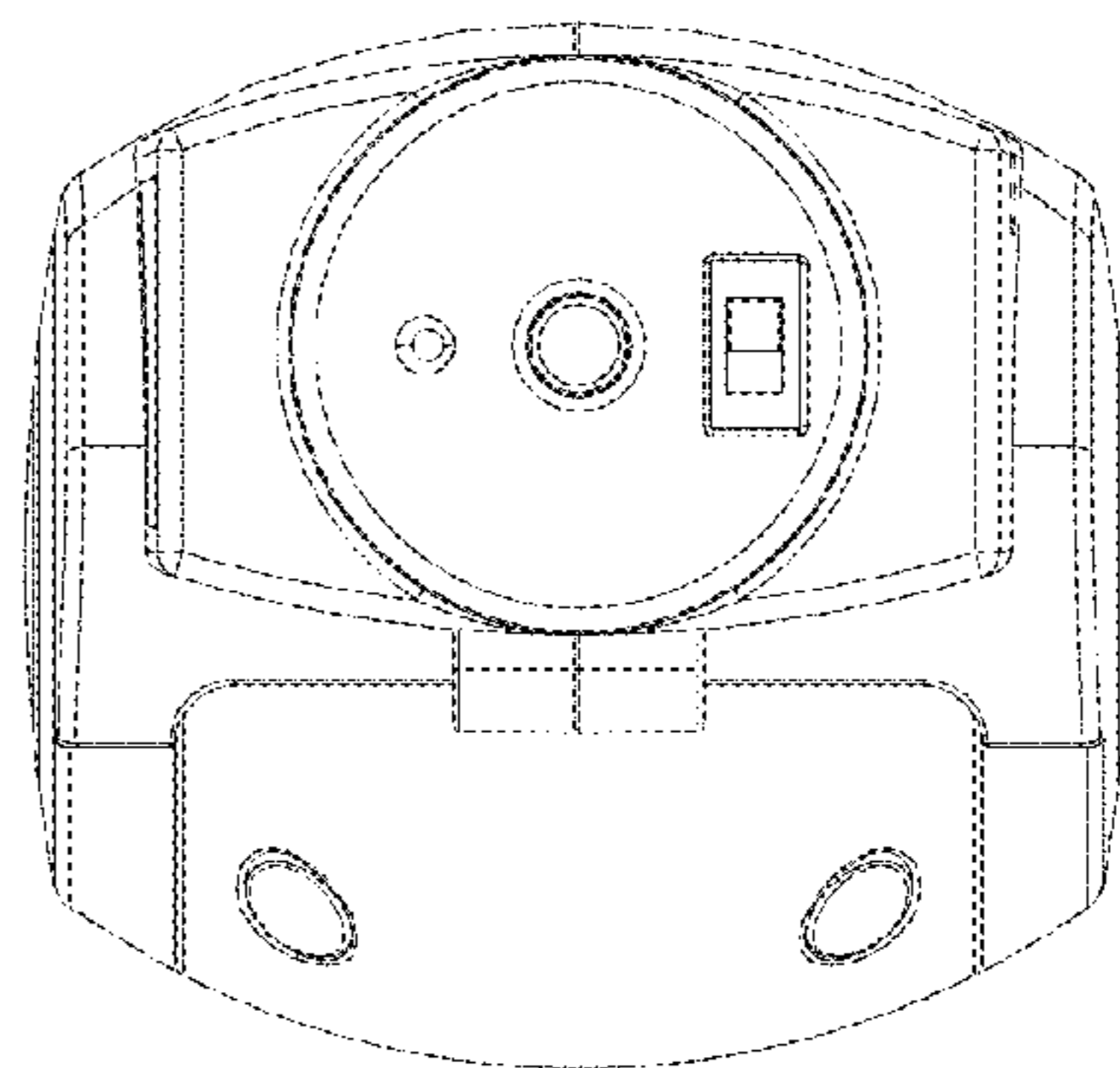


FIG. 18

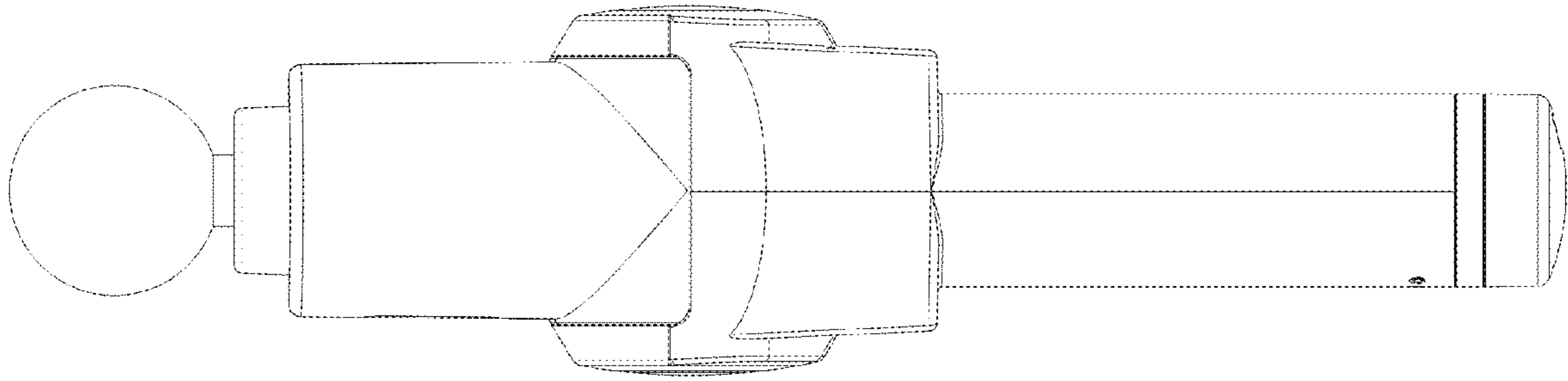


FIG. 19

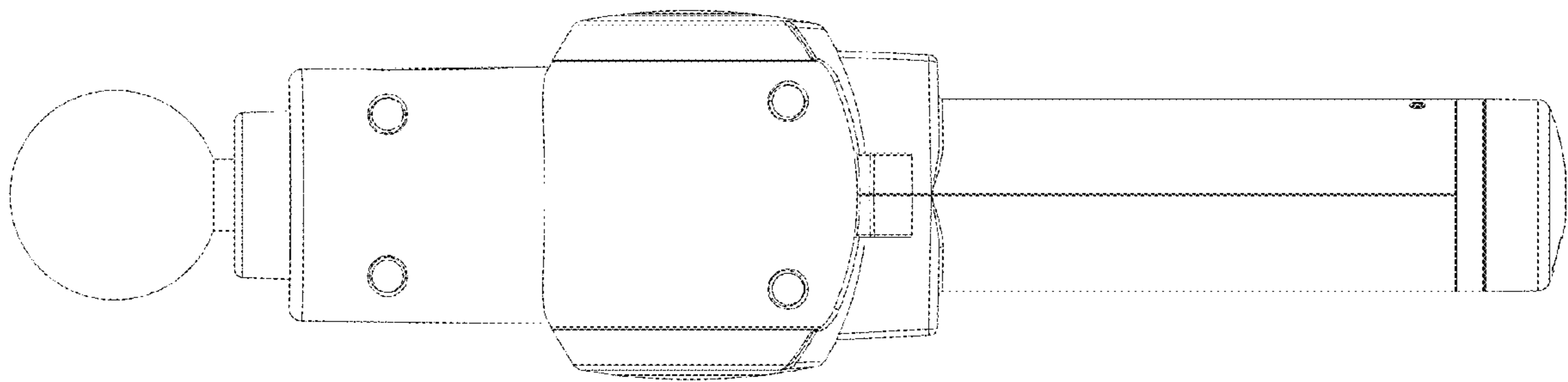


FIG. 20

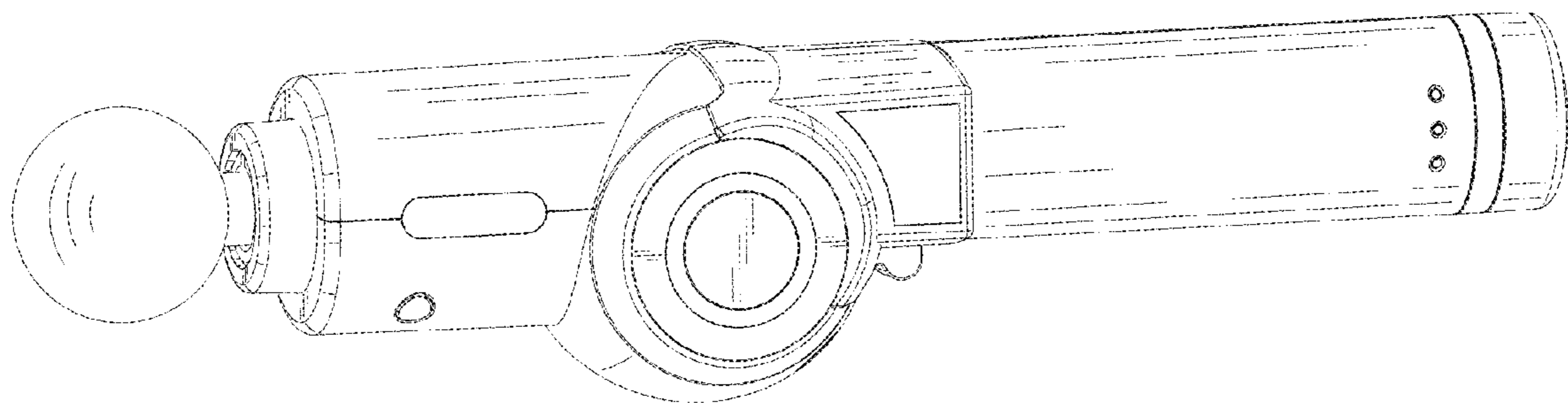


FIG. 21