



US00D985788S

(12) **United States Design Patent**
Han et al.

(10) **Patent No.:** **US D985,788 S**
(45) **Date of Patent:** **** May 9, 2023**

(54) **MESSAGE GUN**

(71) Applicant: **Zhejiang Bailong Plastic Products Co., Ltd.**, Jinhua (CN)

(72) Inventors: **Jianting Han**, Jinhua (CN);
Changhong Han, Jinhua (CN)

(73) Assignee: **ZHEJIANG BAILONG PLASTIC PRODUCTS CO., LTD.**, Zhejiang (CN)

(**) Term: **15 Years**

(21) Appl. No.: **29/734,968**

(22) Filed: **May 17, 2020**

(30) **Foreign Application Priority Data**

Dec. 4, 2019 (CN) 201930674049.9

(51) **LOC (14) Cl.** **28-03**

(52) **U.S. Cl.**
USPC **D24/215**

(58) **Field of Classification Search**

USPC D24/215, 200, 211, 212, 213, 214, 133,
D24/107, 231, 184; D8/14.1, 61;
D28/12, 13

CPC A61H 15/00; A61H 2015/0007; A61H
2015/0042; A61H 15/0092; A61H
15/0078; A61H 15/0085; A61H 23/00;
A61H 23/006; A61H 2023/002; A61H
23/02; A61H 2201/0153; A61H 7/00;
A61H 7/003; A61H 7/004; A61H 7/005;
A61H 9/00; A61H 2205/06

See application file for complete search history.

(56) **References Cited**

U.S. PATENT DOCUMENTS

D441,267 S * 5/2001 Heun B25F 5/02
D8/61
D554,461 S * 11/2007 Kokawa D8/61
D572,097 S * 7/2008 Yung-Kuan D28/13

(Continued)

OTHER PUBLICATIONS

Oakleigh—7 Piece Flingpad Folding Arm Massage Gun. Date: Not Listed. [online]. [Site visited Apr. 7, 2022]. Available from Internet URL: <https://www.templeandwebster.com.au/7-Piece-Flingpad-Folding-Arm-Massage-Gun-Set-LEVE1751.html> (Year: NA).*

(Continued)

Primary Examiner — Eliza Z Harvey

Assistant Examiner — Landon Thomas Cassell

(74) *Attorney, Agent, or Firm* — Bayramoglu Law Offices LLC

(57) **CLAIM**

The ornamental design for a massage gun, as shown and described.

DESCRIPTION

FIG. 1 is a front elevation view of a massage gun showing our new design.

FIG. 2 is a rear elevation view thereof.

FIG. 3 is an enlarged left side elevation view thereof.

FIG. 4 is an enlarged right side elevation view thereof.

FIG. 5 is a top plan view thereof.

FIG. 6 is a bottom plan view thereof.

FIG. 7 is a perspective view thereof.

FIG. 8 is a front elevation view of the design in an alternate configuration of use.

FIG. 9 is a rear elevation view thereof.

FIG. 10 is an enlarged left side elevation view thereof.

FIG. 11 is an enlarged right side elevation view thereof.

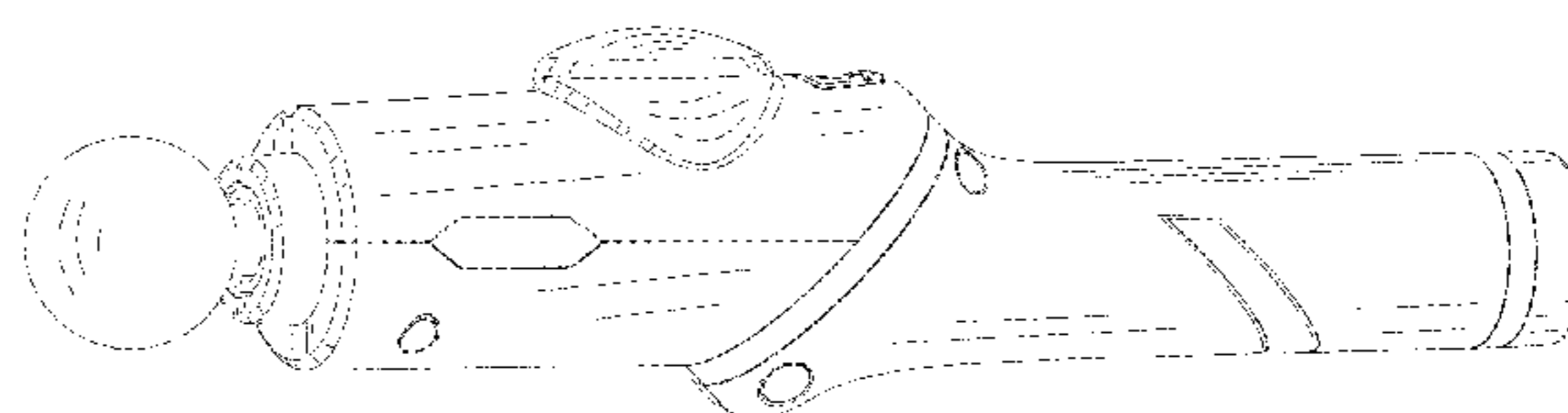
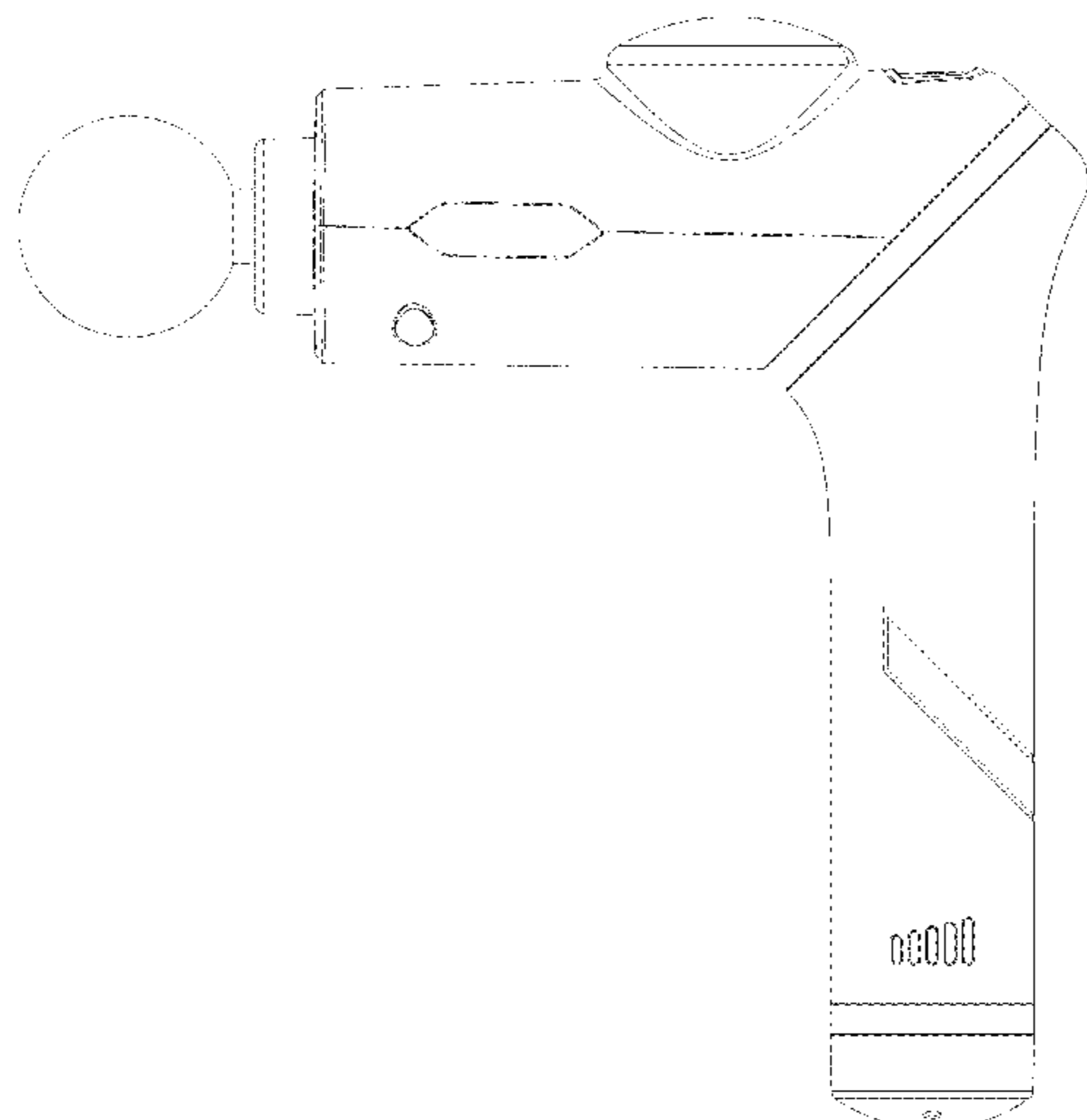
FIG. 12 is a top plan view thereof.

FIG. 13 is a bottom plan view thereof; and,

FIG. 14 is a perspective view thereof.

The broken lines in the drawings depict portions of the massage gun that form no part of the claimed design.

1 Claim, 7 Drawing Sheets



(56)

References Cited

U.S. PATENT DOCUMENTS

D703,017 S * 4/2014 Concari B25B 21/00
D847,364 S * 4/2019 Lee D24/215
D855,822 S * 8/2019 Marton D24/215
D877,351 S * 3/2020 Wersland D24/215
D884,915 S * 5/2020 Wersland D24/215
D885,601 S * 5/2020 Wersland D24/215
D923,190 S * 6/2021 Xu D24/214
D927,714 S * 8/2021 Li D24/215
2019/0175434 A1* 6/2019 Zhang A61H 15/0085
2020/0085675 A1* 3/2020 Lee A61H 1/00

OTHER PUBLICATIONS

Massage guns. (Design—© Questel) orbit.com. [Online PDF compilation of references] 31 pgs. Print Dates Range Feb. 15, 2019-May 19, 2020 [Retrieved Apr. 7, 2022] <https://www.orbit.com/export/UCZAH96B/pdf4/f2333ee9-f5fa-4260-9540-1e5893952ff4-170233.pdf> (Year: 2022).*

* cited by examiner

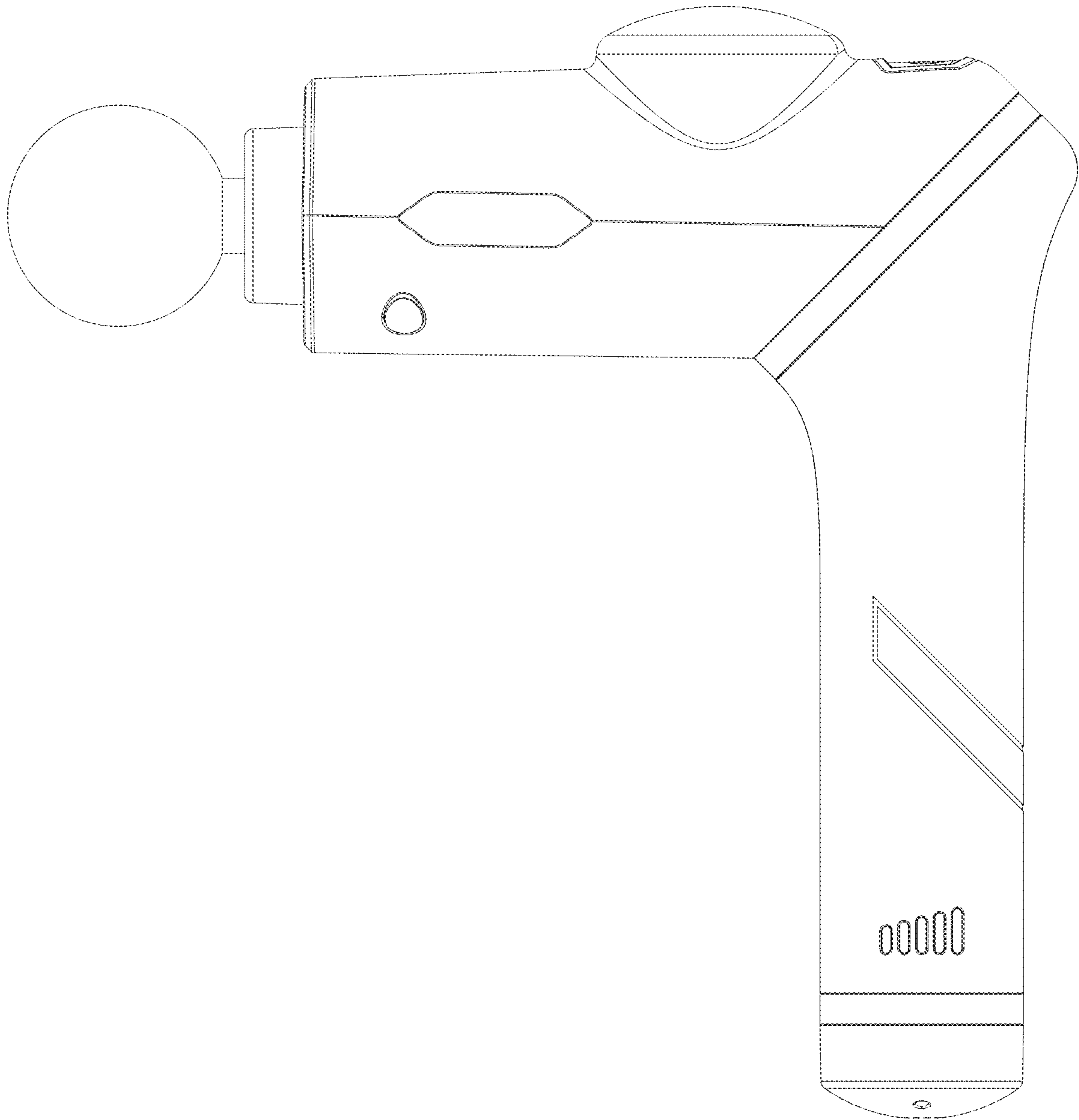


FIG. 1

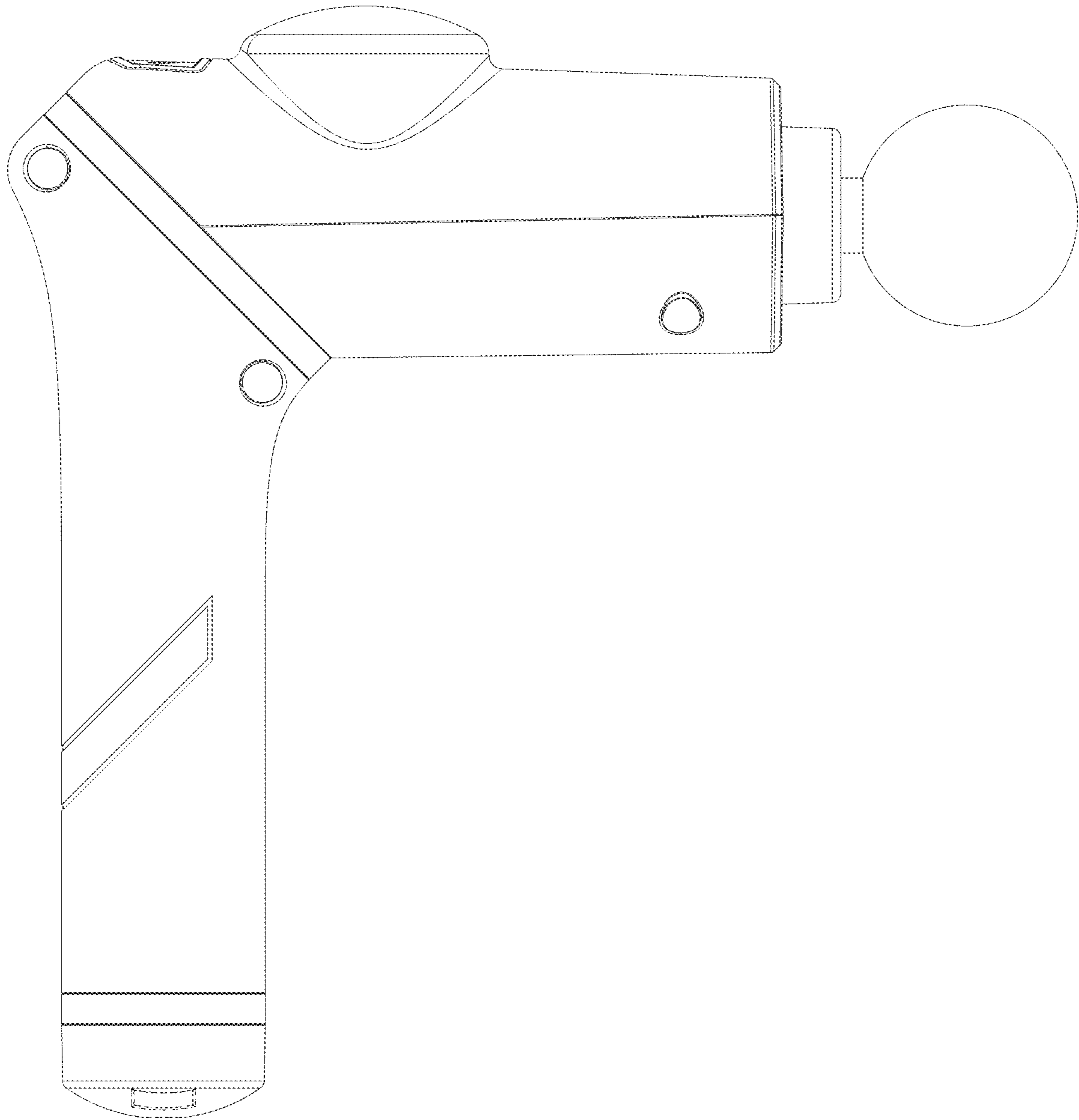


FIG. 2

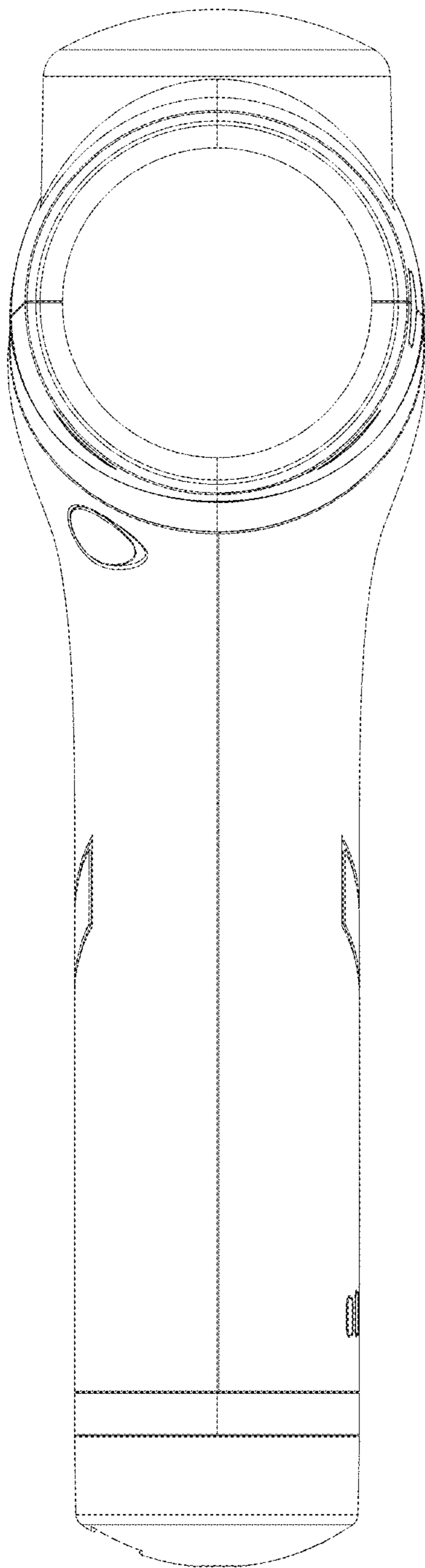


FIG. 3

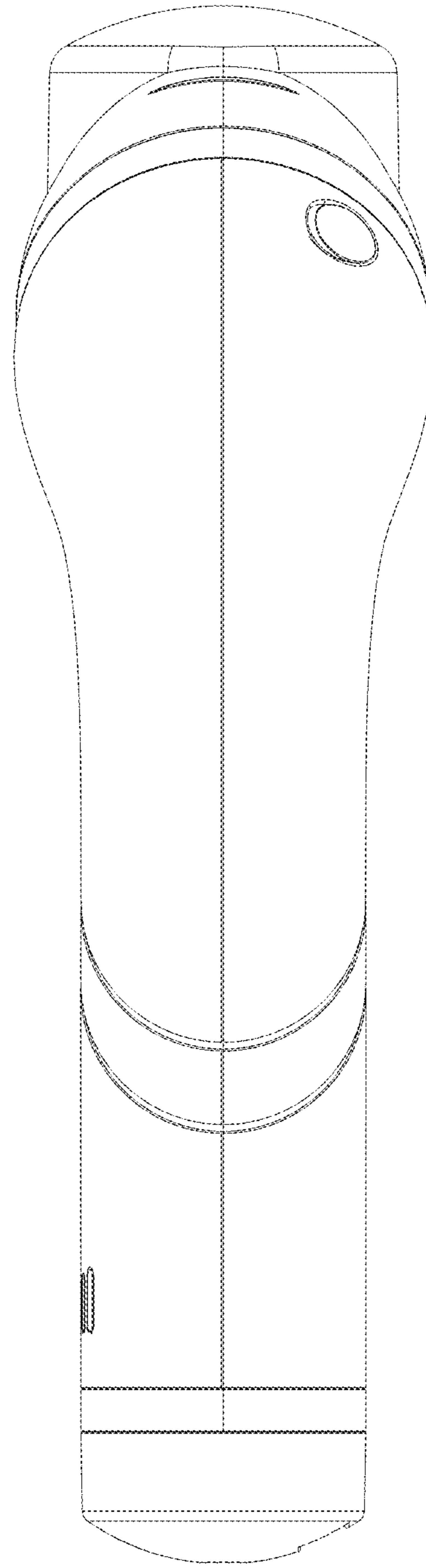


FIG. 4

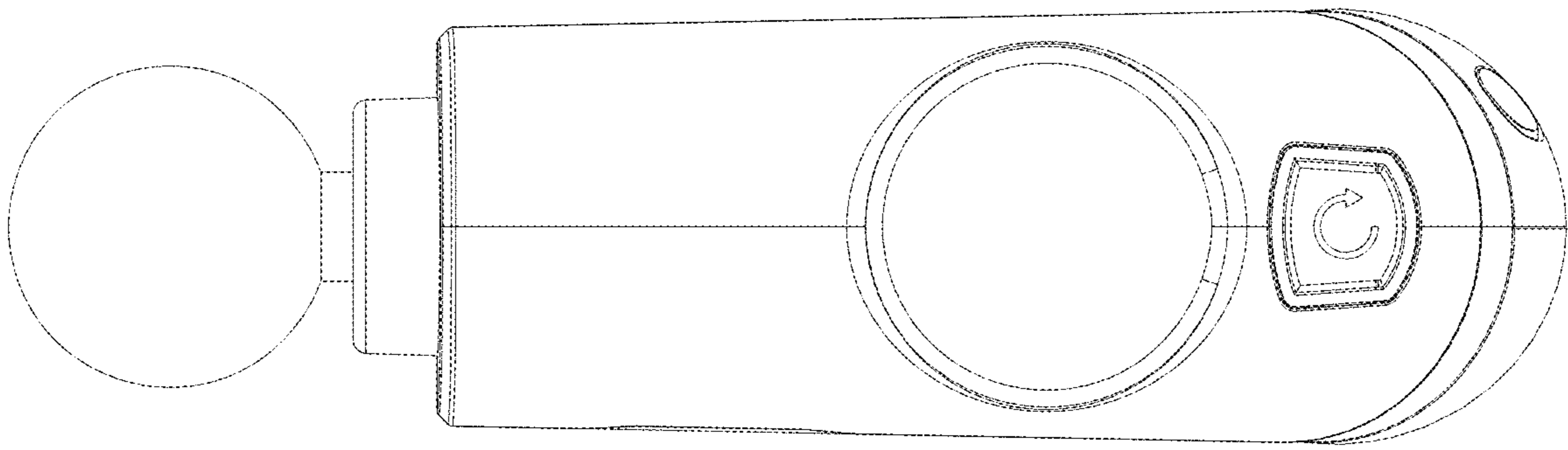


FIG. 5

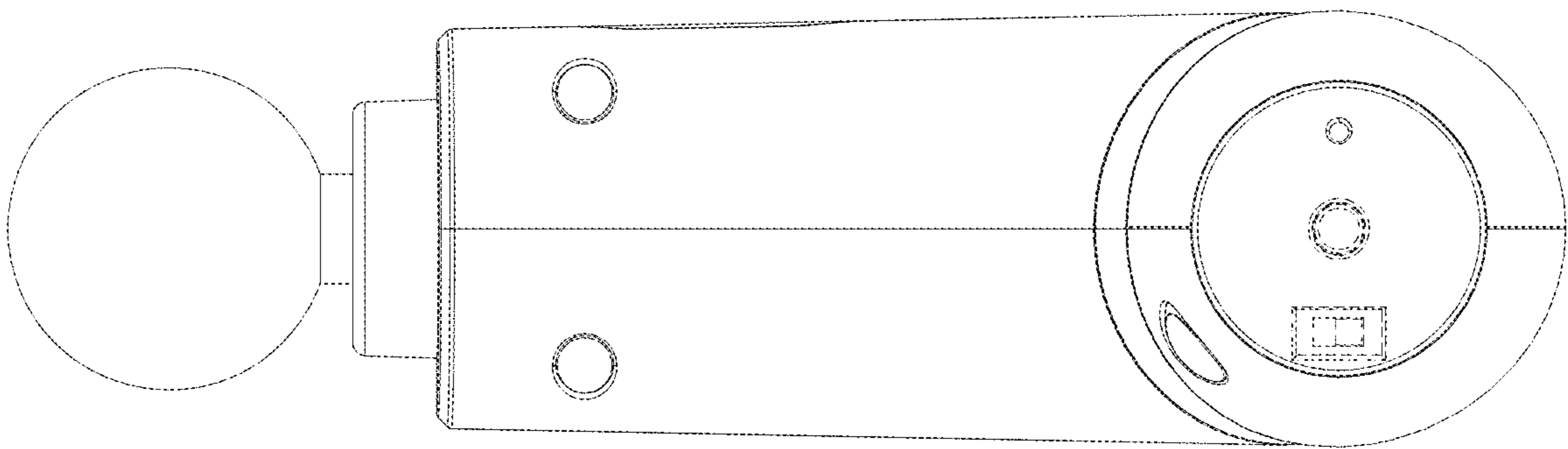


FIG. 6

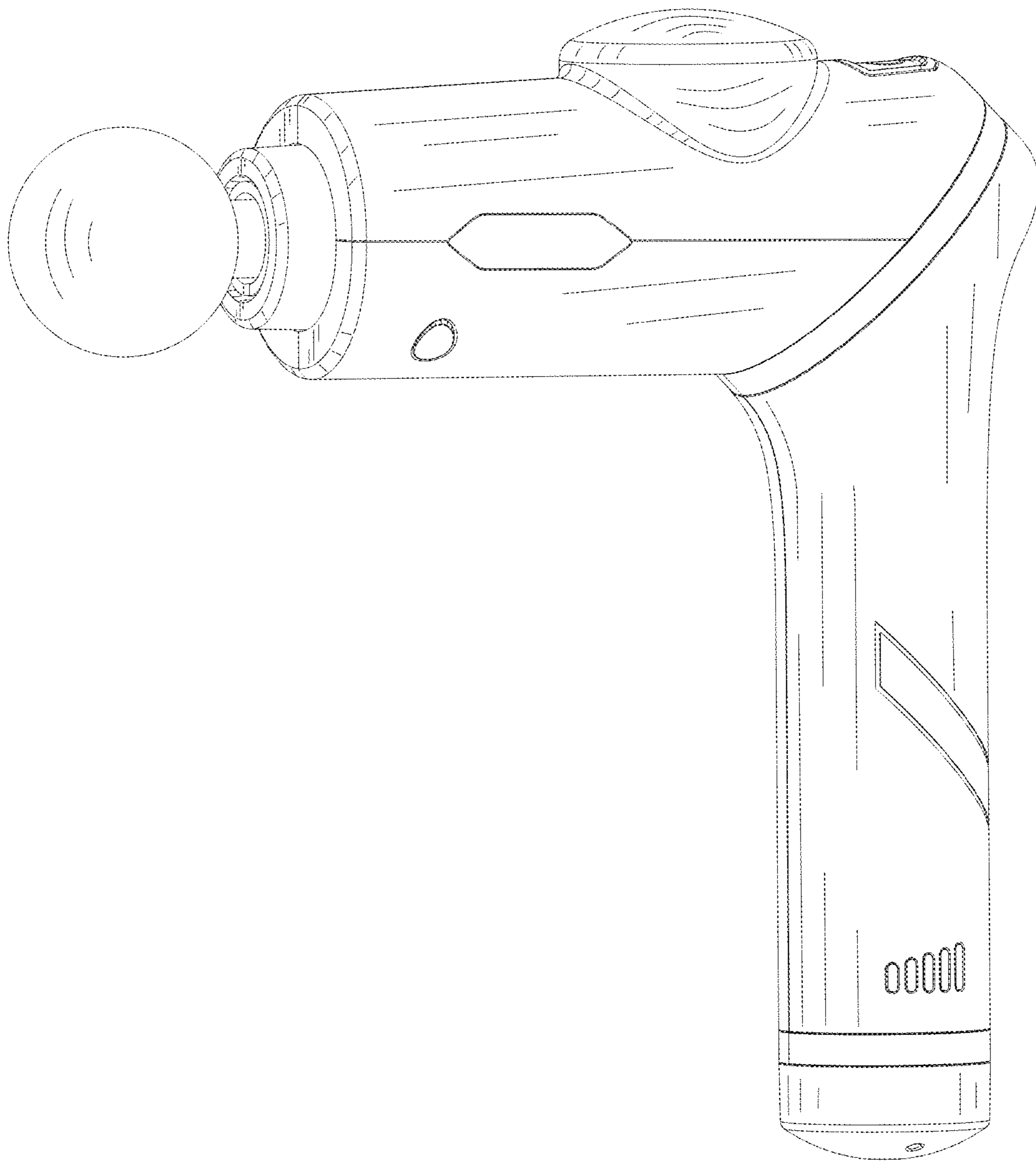


FIG. 7

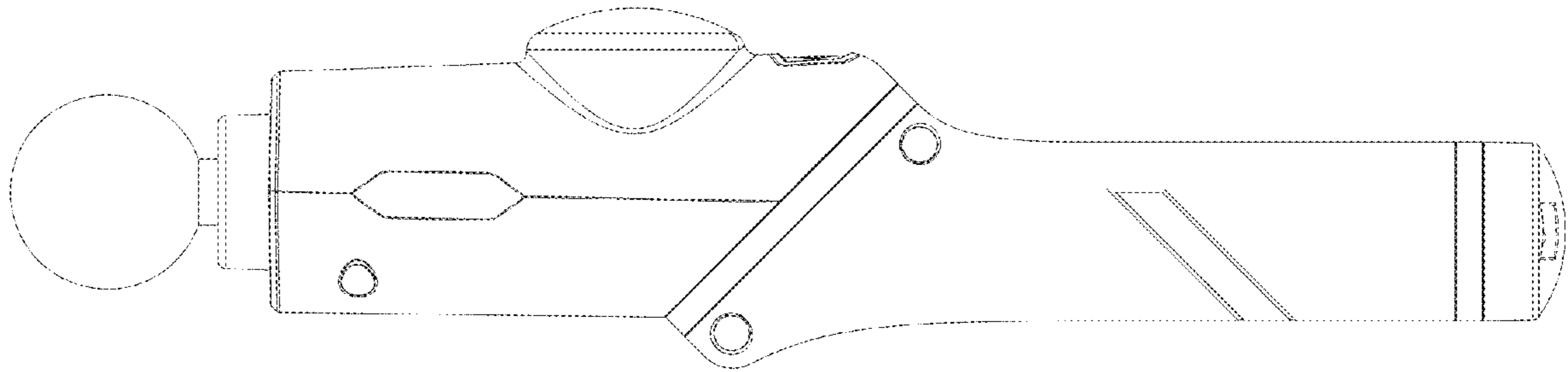


FIG. 8

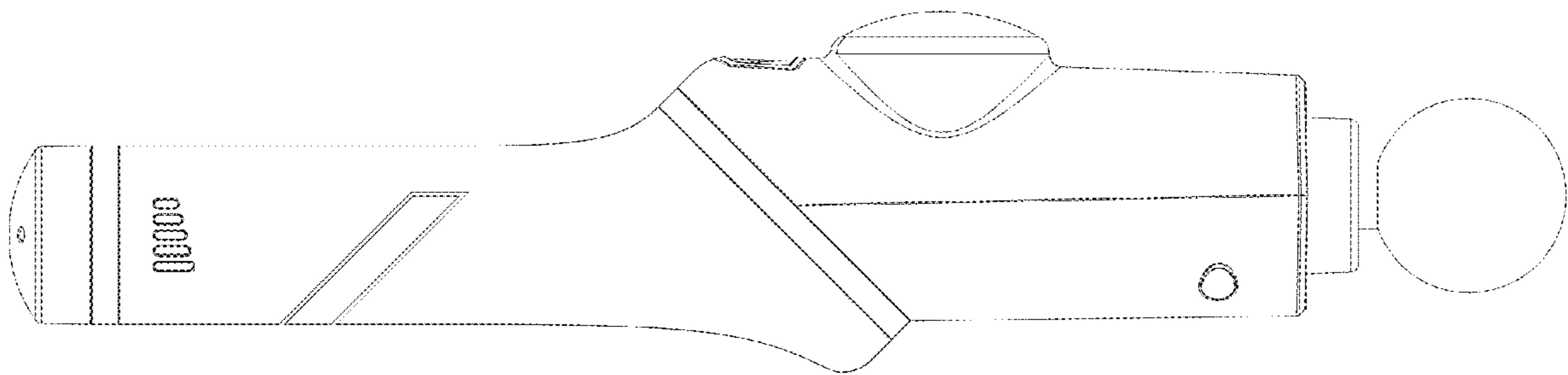


FIG. 9

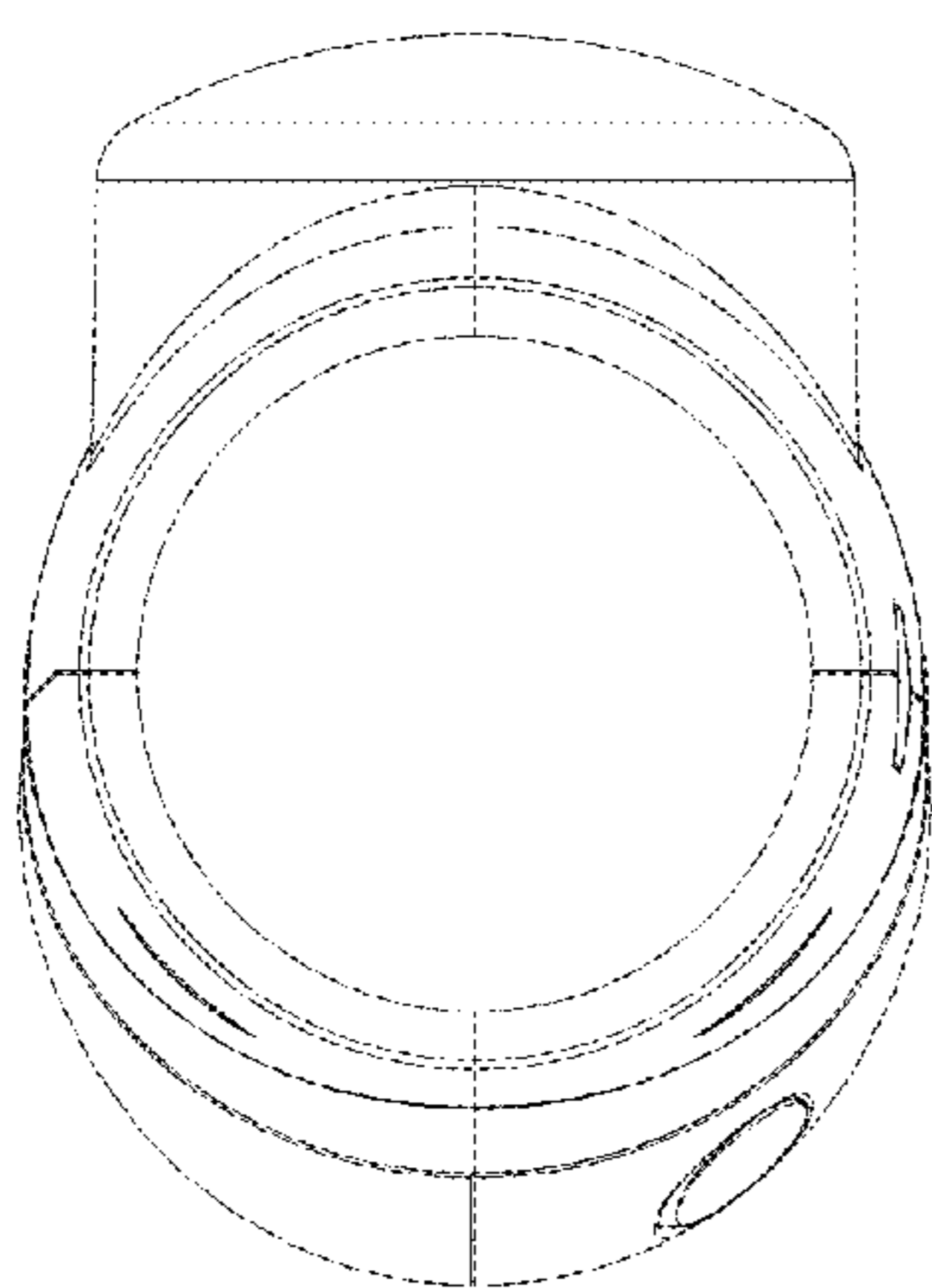


FIG. 10

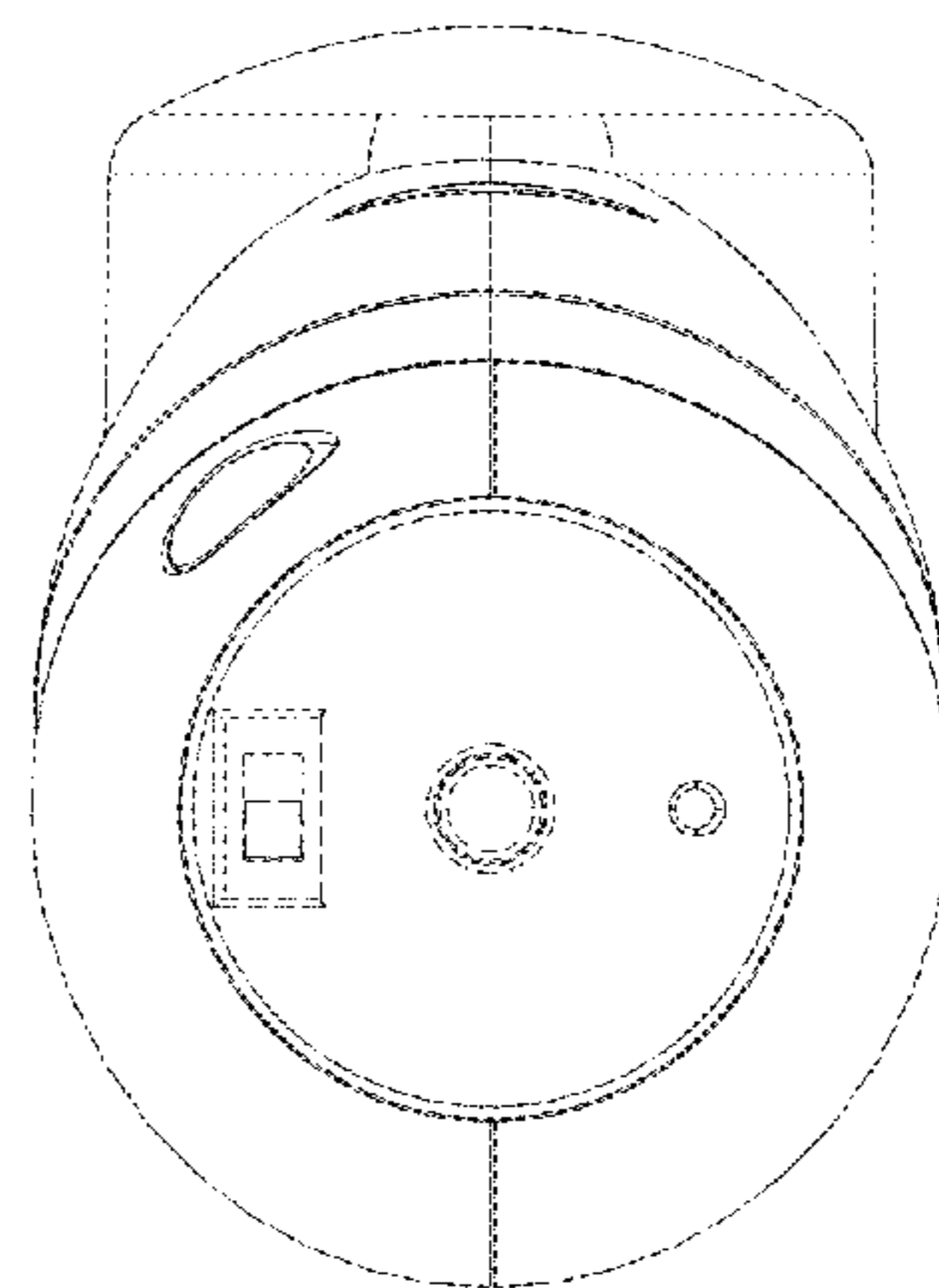


FIG. 11

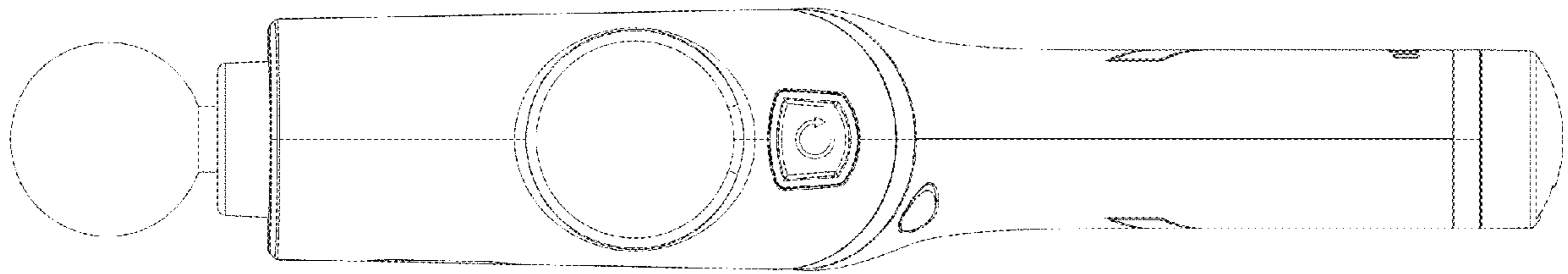


FIG. 12

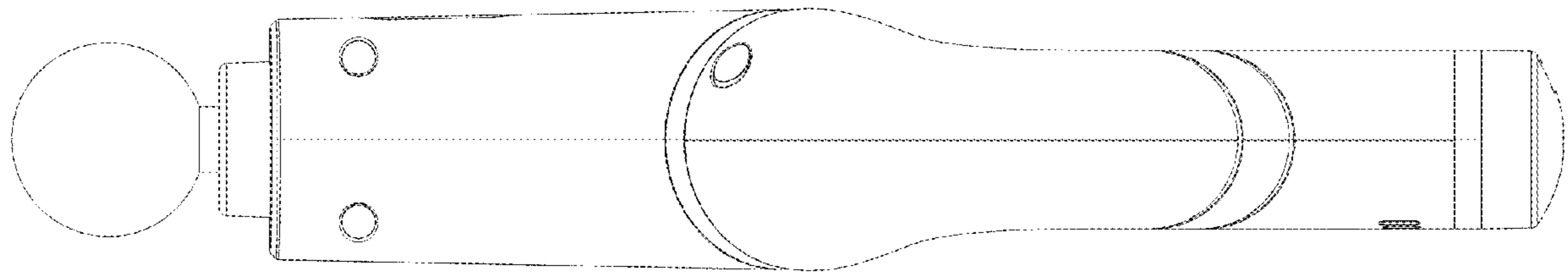


FIG. 13

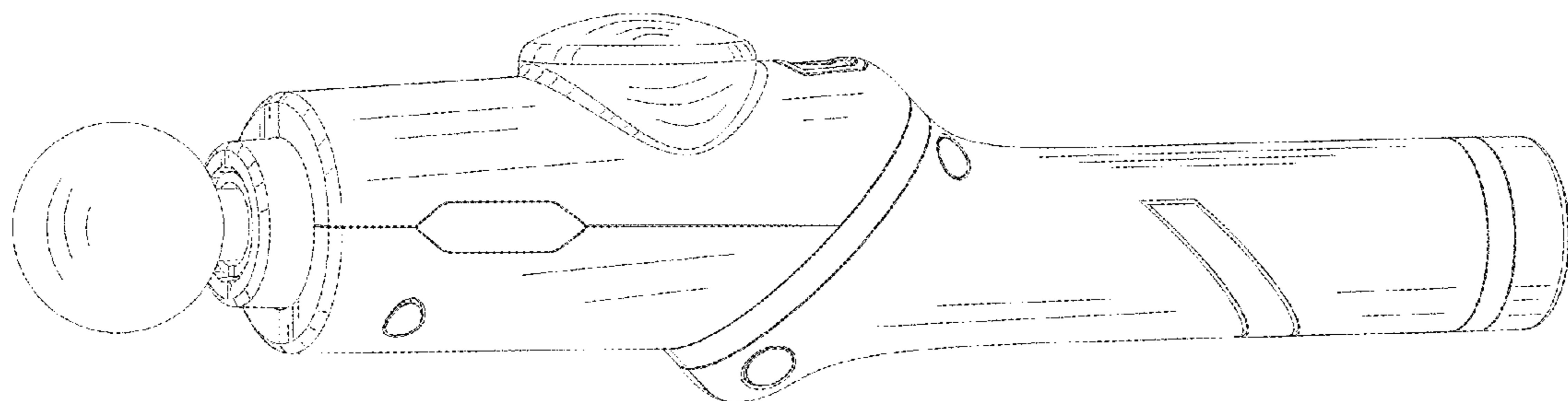


FIG. 14