



US00D985787S

(12) **United States Design Patent** (10) **Patent No.:** **US D985,787 S**
Ren (45) **Date of Patent:** **** May 9, 2023**

(54) **FOOT MASSAGE DEVICE**
(71) Applicant: **Changhui Ren**, Zhejiang (CN)
(72) Inventor: **Changhui Ren**, Zhejiang (CN)
(**) Term: **15 Years**
(21) Appl. No.: **29/782,497**
(22) Filed: **May 7, 2021**
(51) **LOC (14) Cl.** **24-01**
(52) **U.S. Cl.**
USPC **D24/213; D24/215**
(58) **Field of Classification Search**
USPC D24/141, 188, 189, 190, 200, 211, 212,
D24/213, 214, 215; D30/160
CPC .. A61H 2205/12; A61H 15/00; A61H 35/006;
A61H 2201/164; A61H 2201/0207; A61H
2205/10; A61H 33/10
See application file for complete search history.

D643,127 S * 8/2011 Lim D24/213
D648,859 S * 11/2011 Ng D24/212
D652,940 S * 1/2012 Byle D24/215

* cited by examiner

Primary Examiner — Michael A Maharajh
(74) *Attorney, Agent, or Firm* — Prakash Nama; Global IP Services, PLLC

(57) **CLAIM**

The ornamental design for a foot massage device, as shown and described.

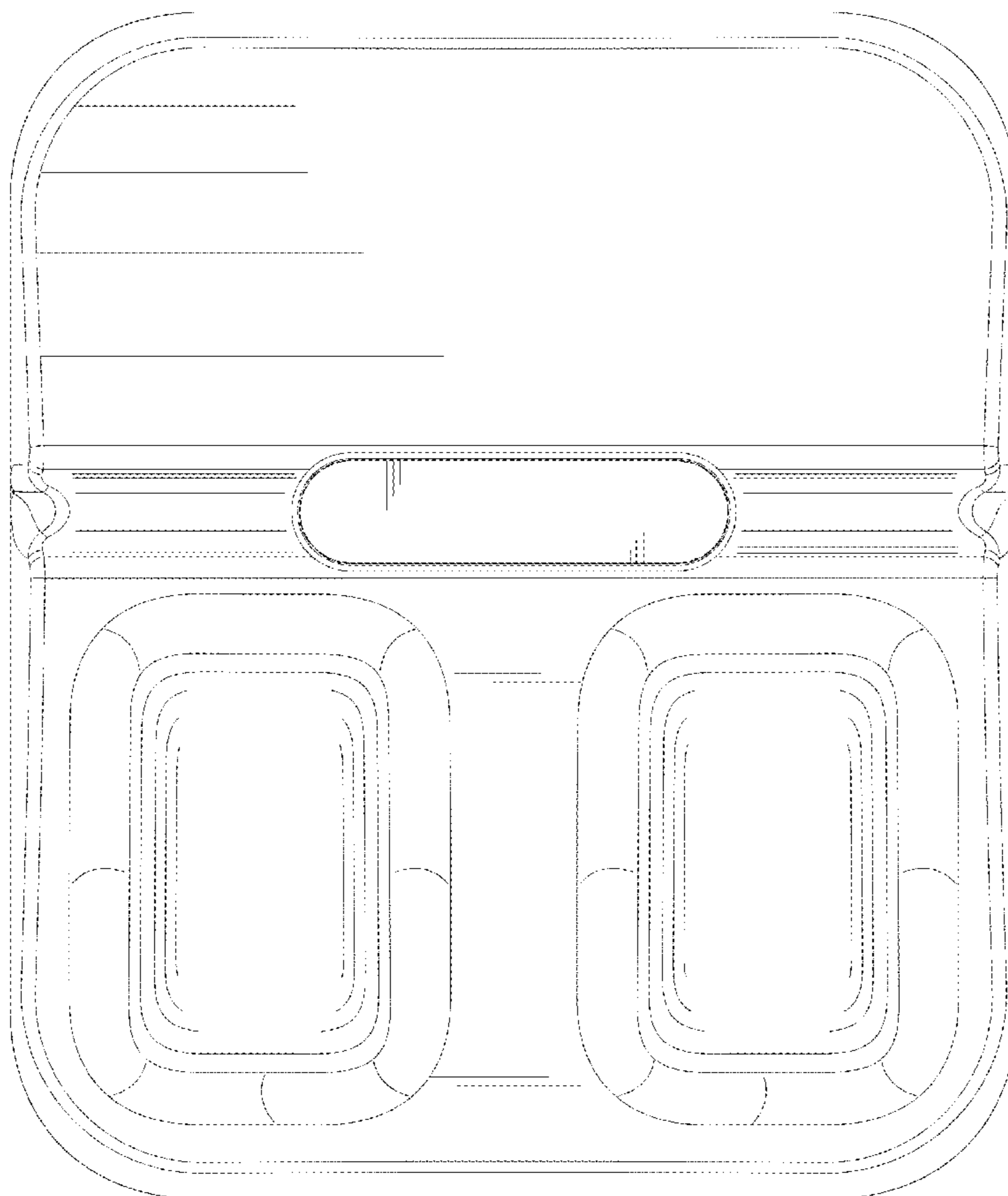
DESCRIPTION

FIG. 1 is a top plan view of a foot massage device showing my new design;
FIG. 2 is a bottom plan view thereof;
FIG. 3 is a left side view thereof;
FIG. 4 is a right side view thereof;
FIG. 5 is a rear view thereof;
FIG. 6 is a front view thereof; and,
FIG. 7 is a perspective view thereof.
The broken lines shown in the drawings are for the purpose of illustrating portions of the foot massage device, which form no part of the claimed design.

(56) **References Cited**
U.S. PATENT DOCUMENTS

D250,206 S * 11/1978 Levin 4/574.1
D535,402 S * 1/2007 Lifeng D24/213
D535,751 S * 1/2007 Lifeng D24/213
D548,353 S * 8/2007 Maesawa D24/212
D584,826 S * 1/2009 Ng D24/213

1 Claim, 7 Drawing Sheets



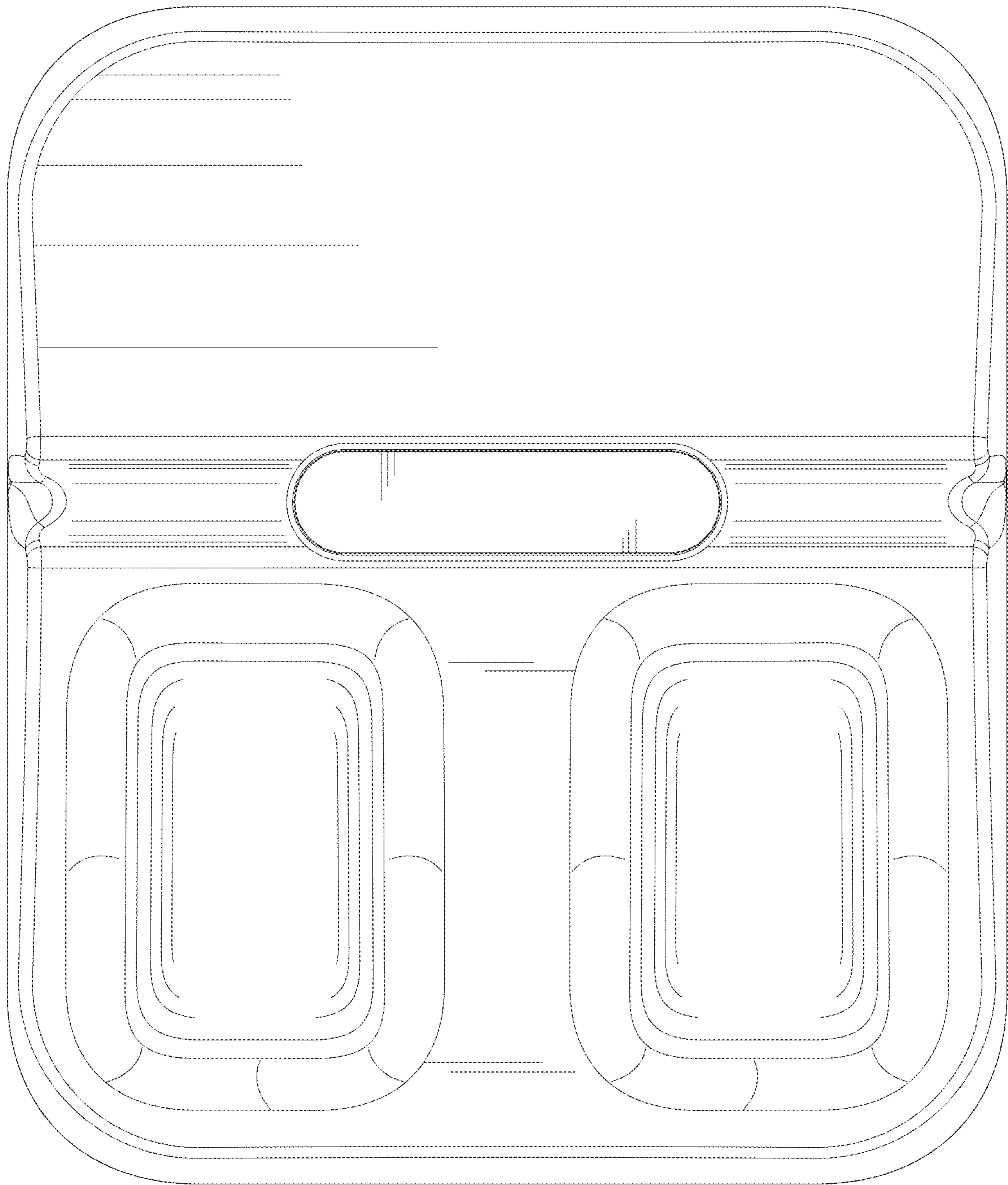


FIG. 1

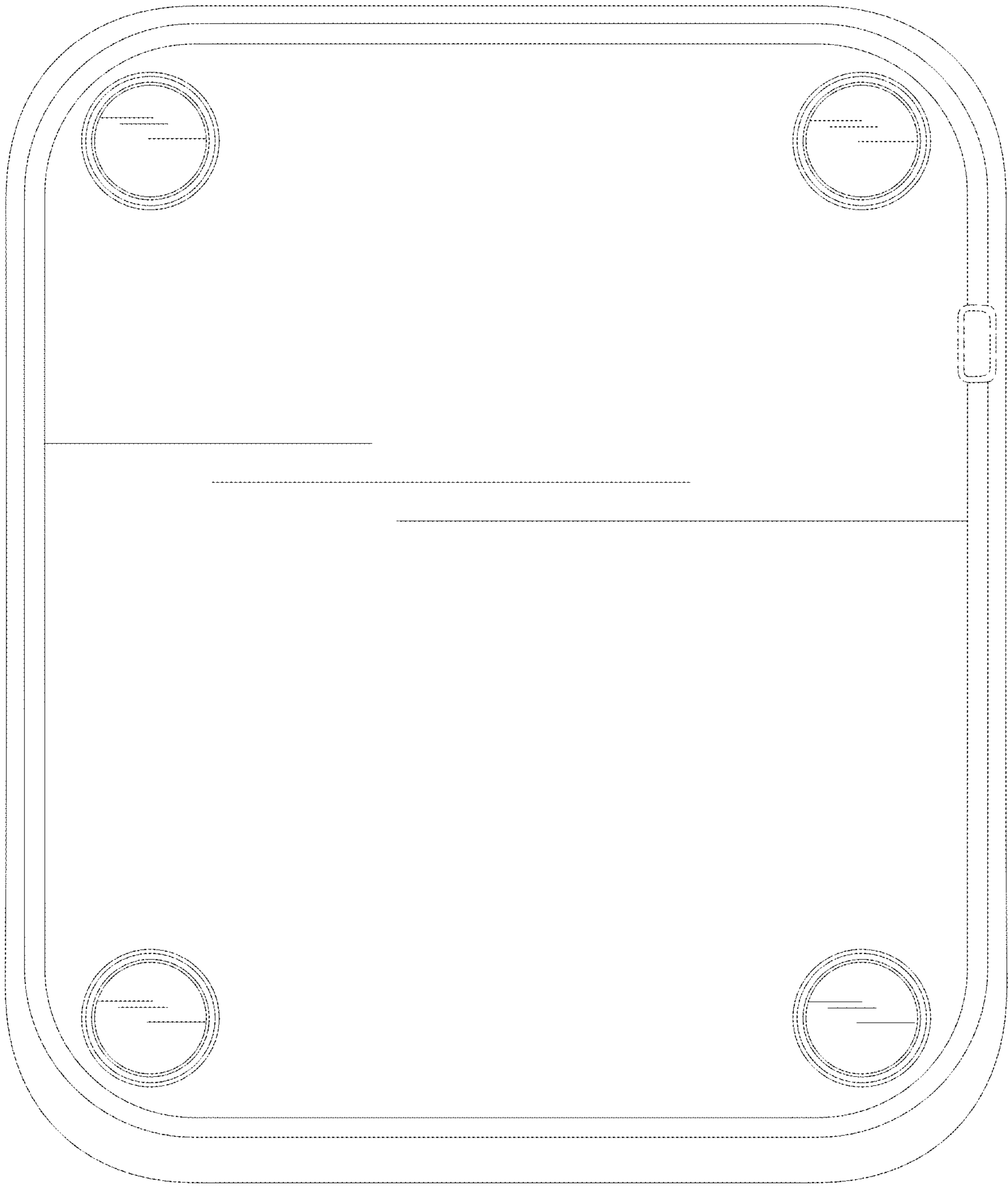


FIG. 2

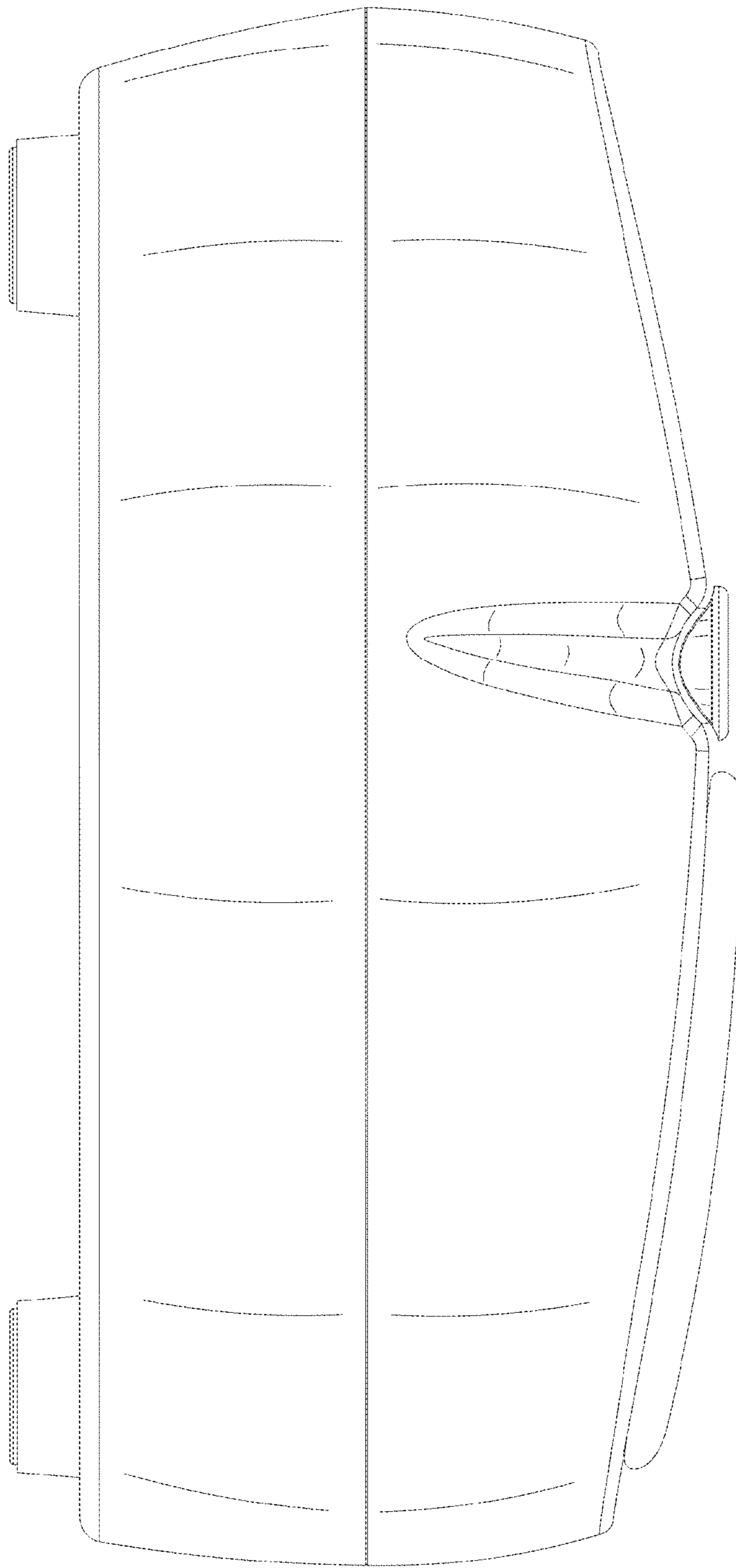


FIG. 3

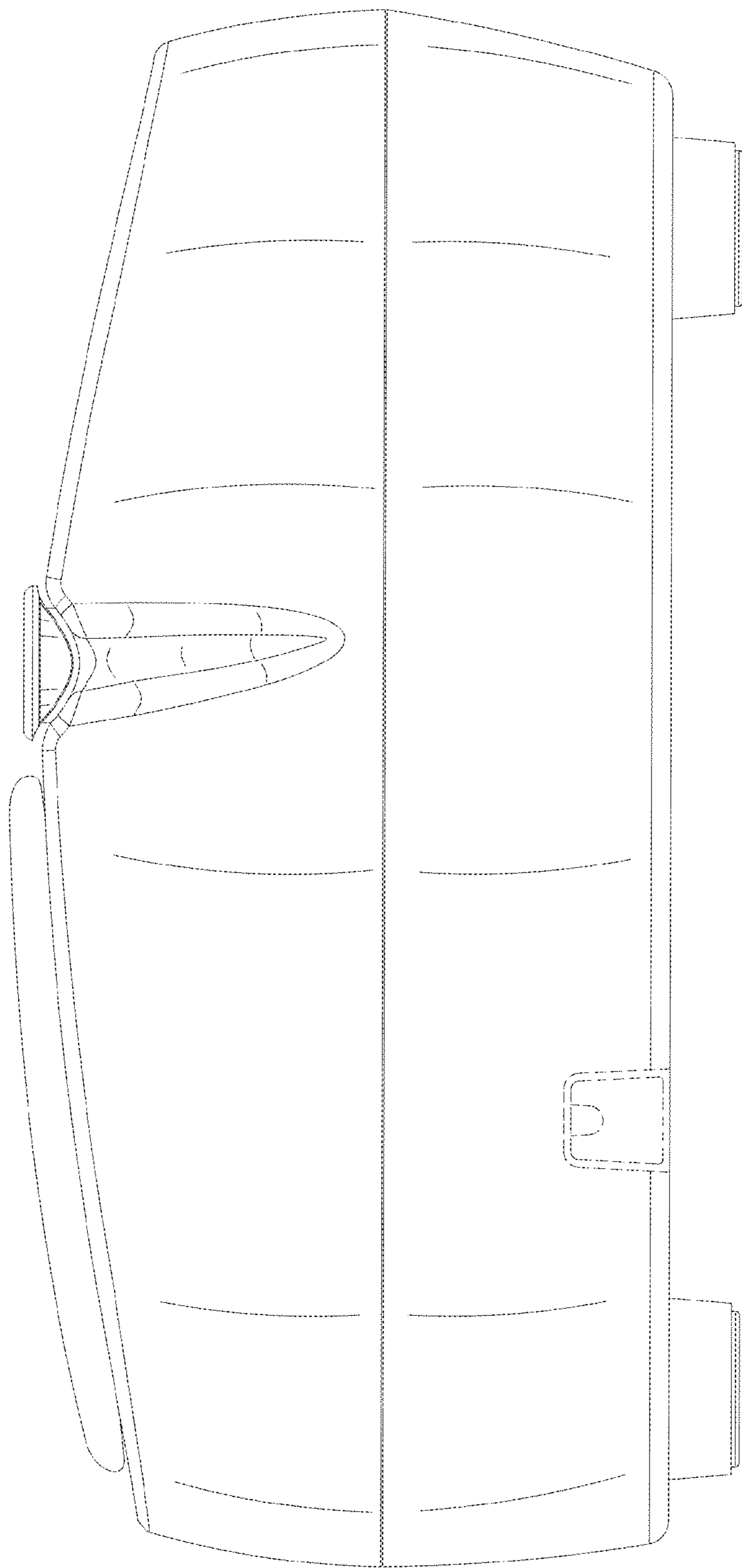


FIG. 4

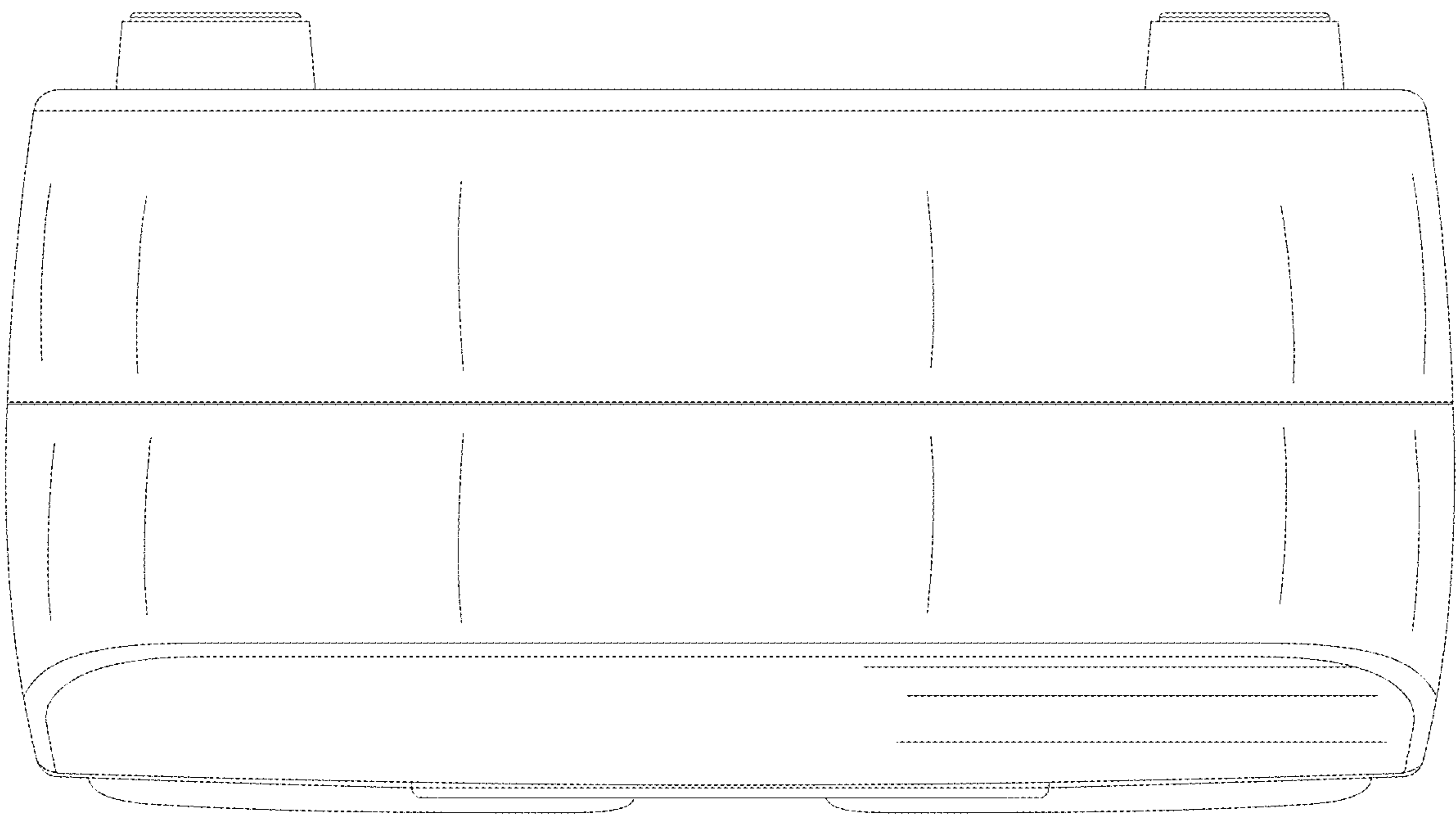


FIG. 5

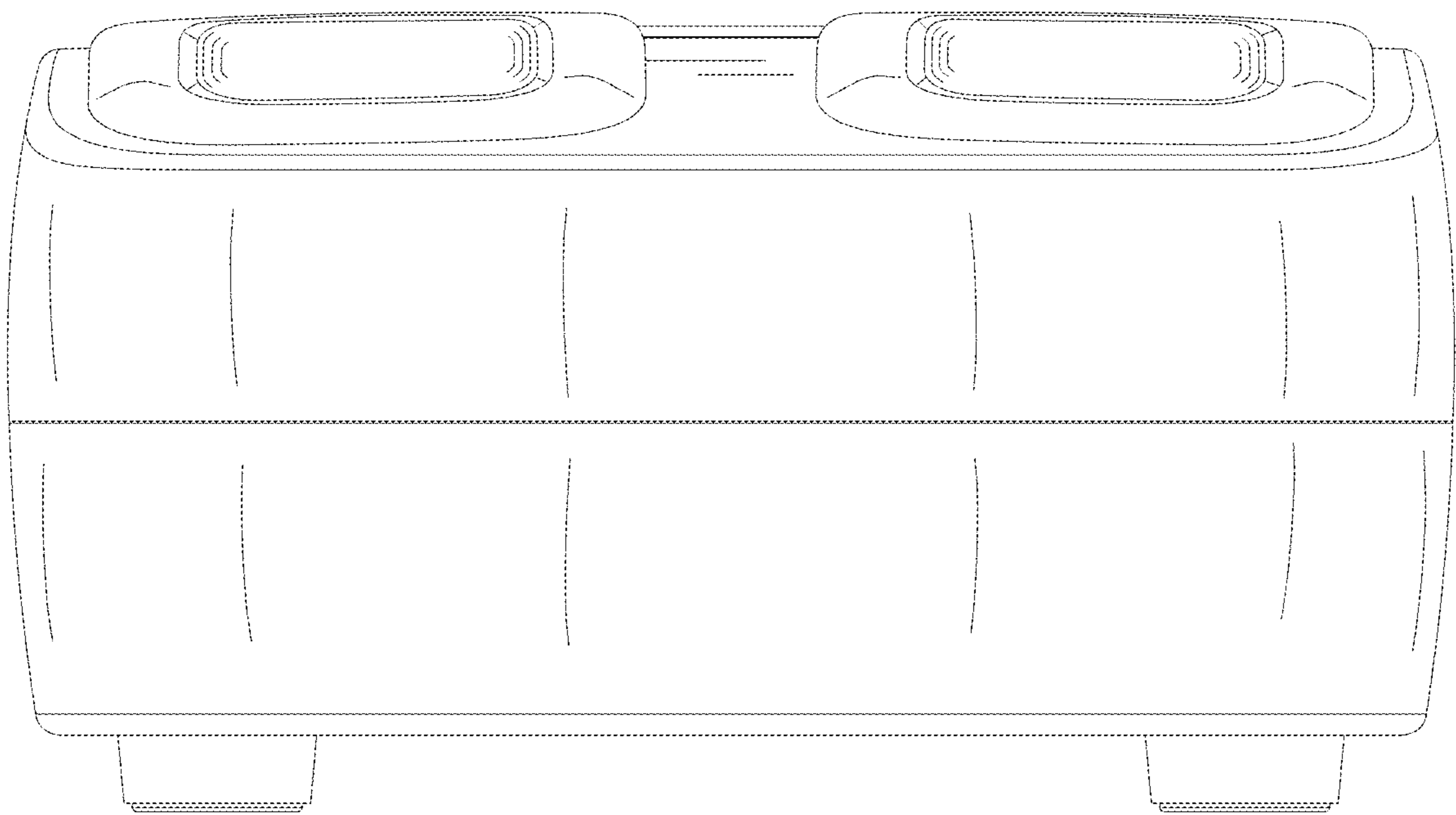


FIG. 6



FIG. 7