



US00D985779S

(12) **United States Design Patent** (10) **Patent No.:** **US D985,779 S**  
**Sättler-Cohen et al.** (45) **Date of Patent:** **\*\* May 9, 2023**

(54) **PACIFIER FOR BABIES**

- (71) Applicant: **Artsana S.p.A.**, Grandate (IT)
- (72) Inventors: **Ursula Sättler-Cohen**, La Jolla, CA (US); **Daniela Coronati**, Grandate (IT)
- (73) Assignee: **ARTSANA S.p.A.**, Grandate (IT)
- (\*\*) Term: **15 Years**
- (21) Appl. No.: **29/720,762**
- (22) Filed: **Jan. 15, 2020**
- (30) **Foreign Application Priority Data**

Jul. 18, 2019 (EM) ..... 006634838

- (51) **LOC (14) Cl.** ..... **24-04**
- (52) **U.S. Cl.**  
USPC ..... **D24/194**
- (58) **Field of Classification Search**  
USPC ..... D24/115, 117, 193, 194, 195, 196, 214;  
D30/160; D21/418, 496, 576, 621, 625,  
D21/627, 628  
CPC ..... A61J 17/001; A61J 17/10  
See application file for complete search history.

(56) **References Cited**

**U.S. PATENT DOCUMENTS**

D318,530 S *	7/1991	Marriott	.....	D24/195
D334,064 S *	3/1993	Fitzpatrick	.....	D24/194
D457,966 S *	5/2002	Espemar	.....	D24/194
D532,521 S *	11/2006	Struckmeier	.....	D24/194
D532,522 S *	11/2006	Struckmeier	.....	D24/194
D559,391 S *	1/2008	Kliegman	.....	D24/194
D662,600 S *	6/2012	Rhodes, II	.....	D24/194
D671,224 S *	11/2012	Paul	.....	D24/194
D686,331 S *	7/2013	Dussere	.....	D24/194
2003/0100922 A1 *	5/2003	Fitzpatrick	.....	A61J 17/109 606/236

(Continued)

**OTHER PUBLICATIONS**

“Chicco PhysioForma Mini Pacifier”. Found online Mar. 28, 2022 at amazon.com. Reference dated Oct. 20, 2020. Retrieved from <https://www.amazon.com/Chicco-PhysioForma-Silicone-Orthodontic-Sterilizing/dp/B08G5S77TL/>.\*

(Continued)

*Primary Examiner* — Kendra Leslie Hamilton

(74) *Attorney, Agent, or Firm* — MH2 Technology Law Group LLP

(57) **CLAIM**

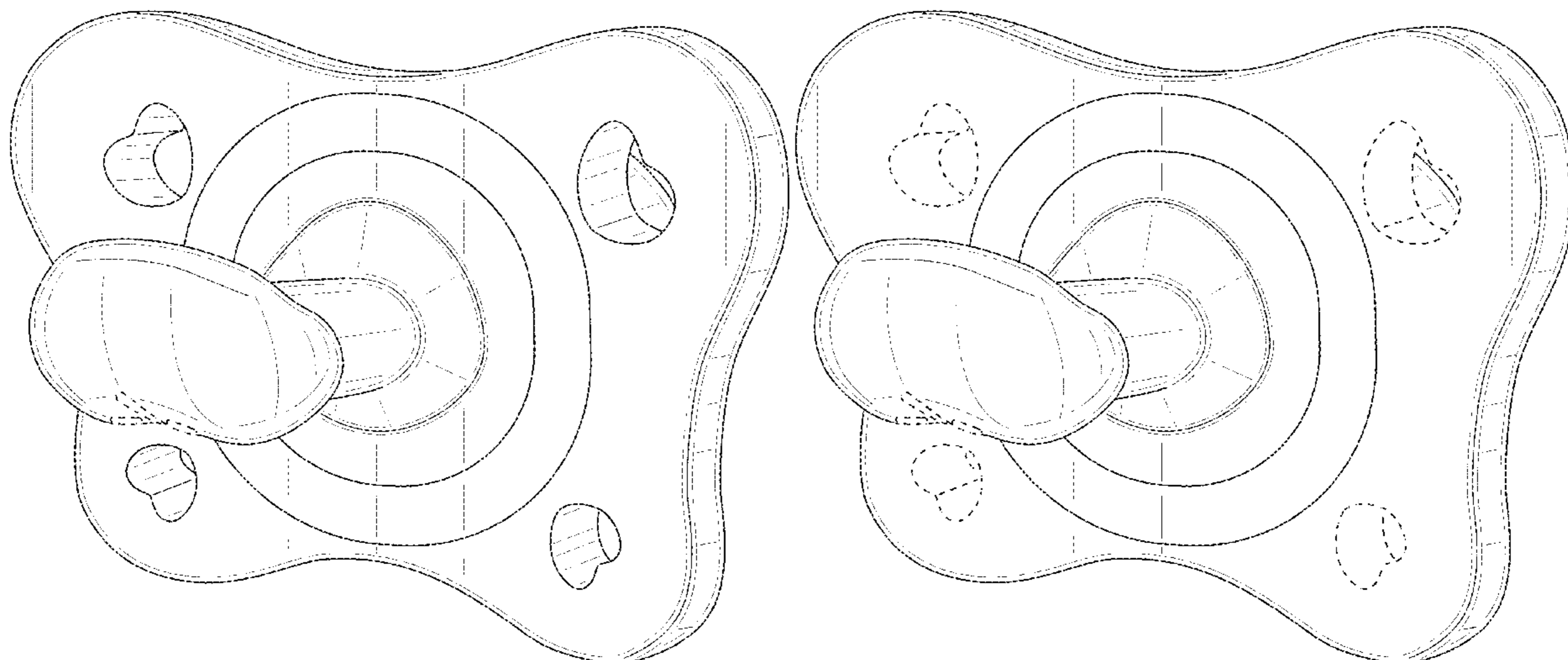
The ornamental design for a pacifier for babies, as shown and described.

**DESCRIPTION**

FIG. 1 is a top plan view of a pacifier for babies showing my new design;  
 FIG. 2 is a right-side elevational view thereof;  
 FIG. 3 is a bottom plan view thereof;  
 FIG. 4 is a left-side elevational view thereof;  
 FIG. 5 is a front elevational view thereof;  
 FIG. 6 is a rear elevational view thereof;  
 FIG. 7 is a top, front, right perspective view thereof;  
 FIG. 8 is a top plan view of an alternate embodiment of my new design;  
 FIG. 9 is a right-side elevational view thereof;  
 FIG. 10 is a bottom plan view thereof;  
 FIG. 11 is a left-side elevational view thereof;  
 FIG. 12 is a front elevational view thereof;  
 FIG. 13 is a rear elevational view thereof; and,  
 FIG. 14 is a top, front, right perspective view thereof.

In the drawings, the equal-length broken lines depict unclaimed portions of the pacifier for babies that form no part of the claimed design. In FIGS. 3 and 10, the dash-dot-dash broken lines define the boundaries of the claim. All broken lines form no part of the claimed design.

**1 Claim, 14 Drawing Sheets**



(56)

**References Cited**

U.S. PATENT DOCUMENTS

2010/0030264 A1\* 2/2010 Roehrig ..... A61J 17/001  
606/234  
2012/0265244 A1\* 10/2012 Valderrama ..... A61J 17/113  
606/234  
2021/0169745 A1\* 6/2021 Hakim ..... A61J 17/105

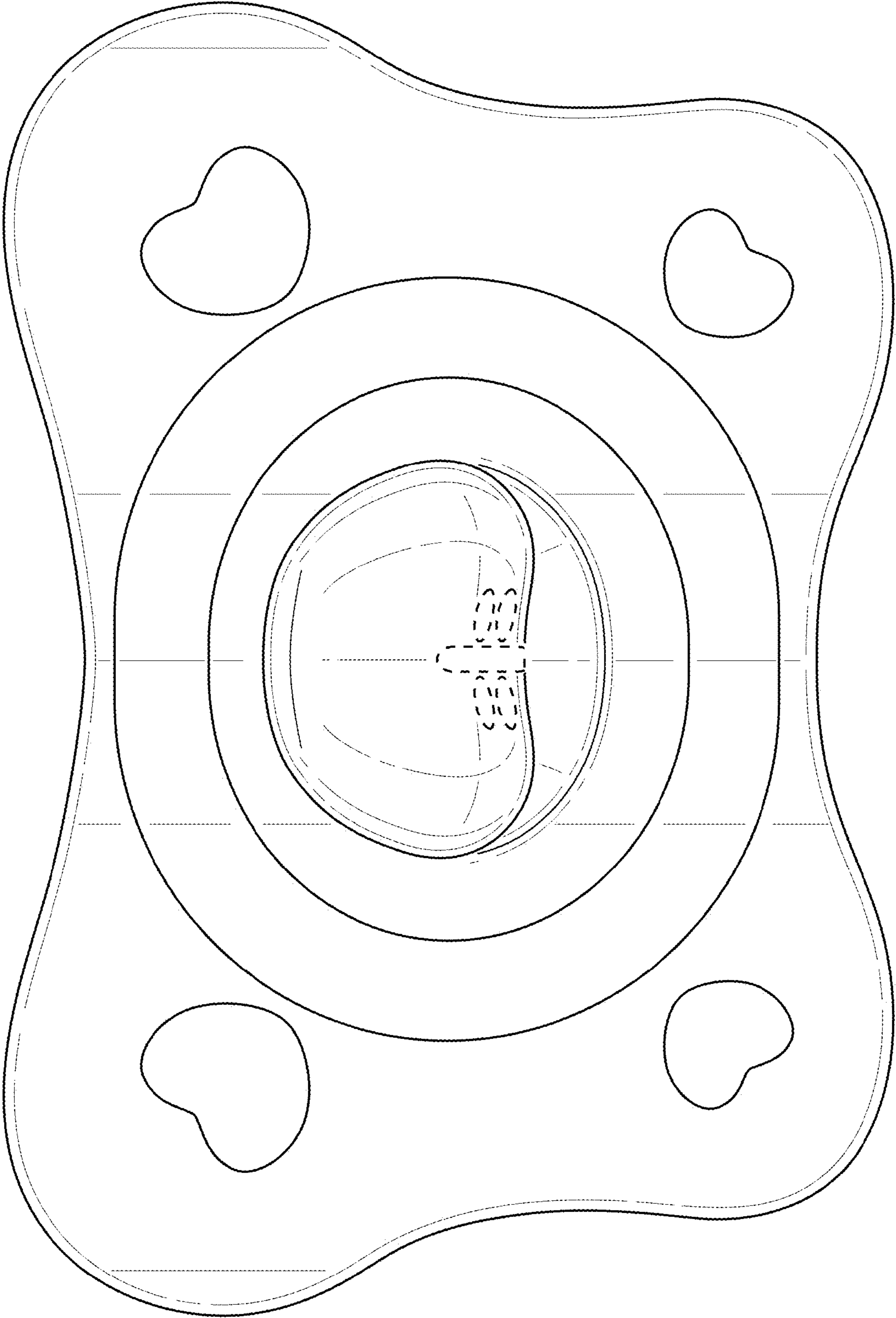
OTHER PUBLICATIONS

“Dr. Brown’s HaoovPaci Pacifer”. Found online Apr. 20, 2020 at amazon.com. Reference dated Apr. 22, 2015. Retrieved from <https://www.amazon.com/Dr-Browns-HappyPaci-Silicone-Pacifier/dp/B015XBXJCG/>.\*

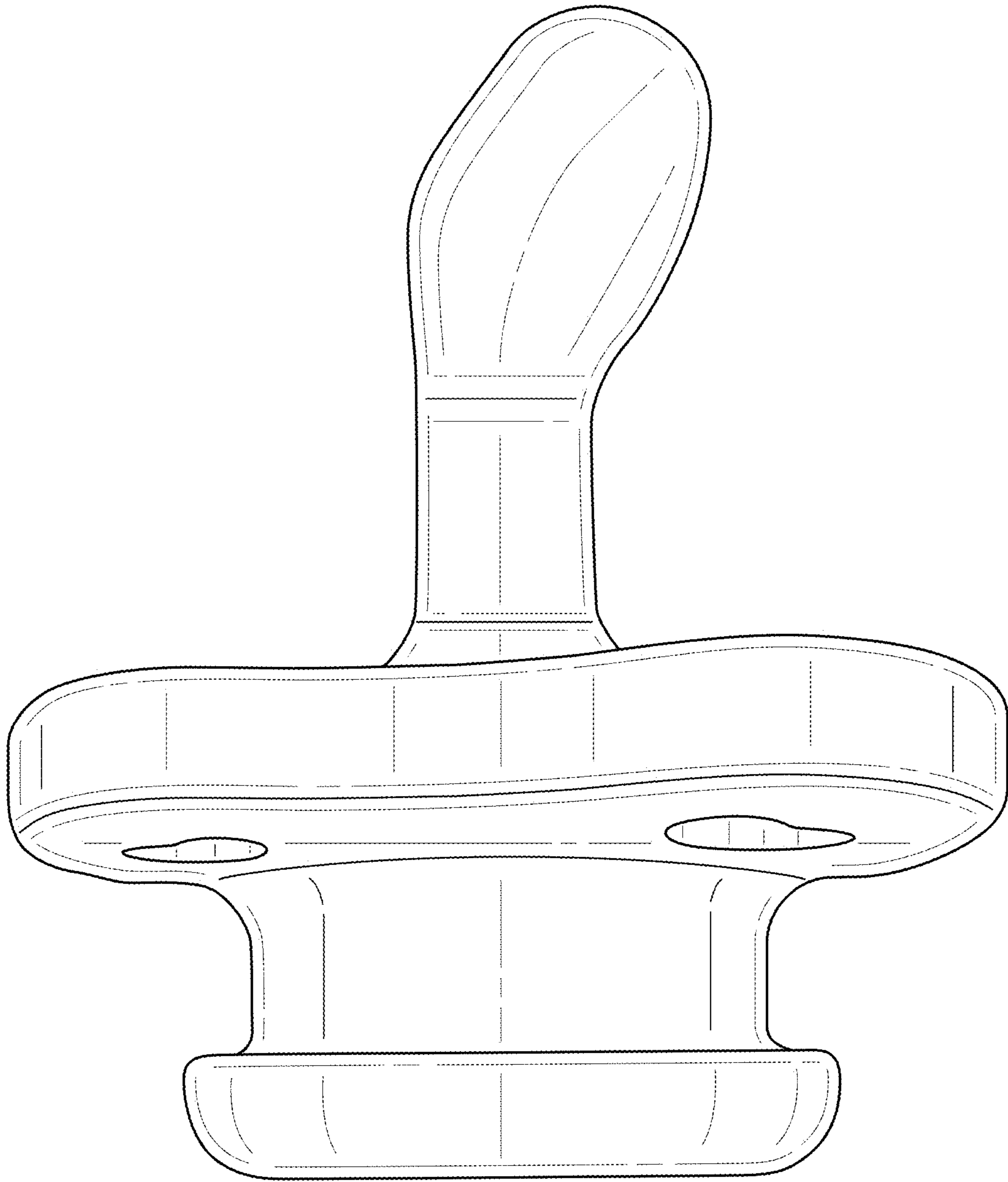
“Hevea: Star & Moon Orthodontic Pacifier”. Found online Sep. 29, 2021 at amazon.com. Reference dated May 3, 2011. Retrieved from <https://www.amazon.com/HEVEA-Star-Orthodontic-Pacifier-months/dp/B004GVFRM0/>.\*

“Nookums: Replacement Pacifier for Paci-Plushies”. Found online Dec. 30, 2021 at amazon.com. Reference dated Nov. 21, 2017. Retrieved from [www.amazon.com/Nookums-Paci-Plushies-Replacement-Pacifier-Pack/dp/B0753LT2V7/](http://www.amazon.com/Nookums-Paci-Plushies-Replacement-Pacifier-Pack/dp/B0753LT2V7/).\*

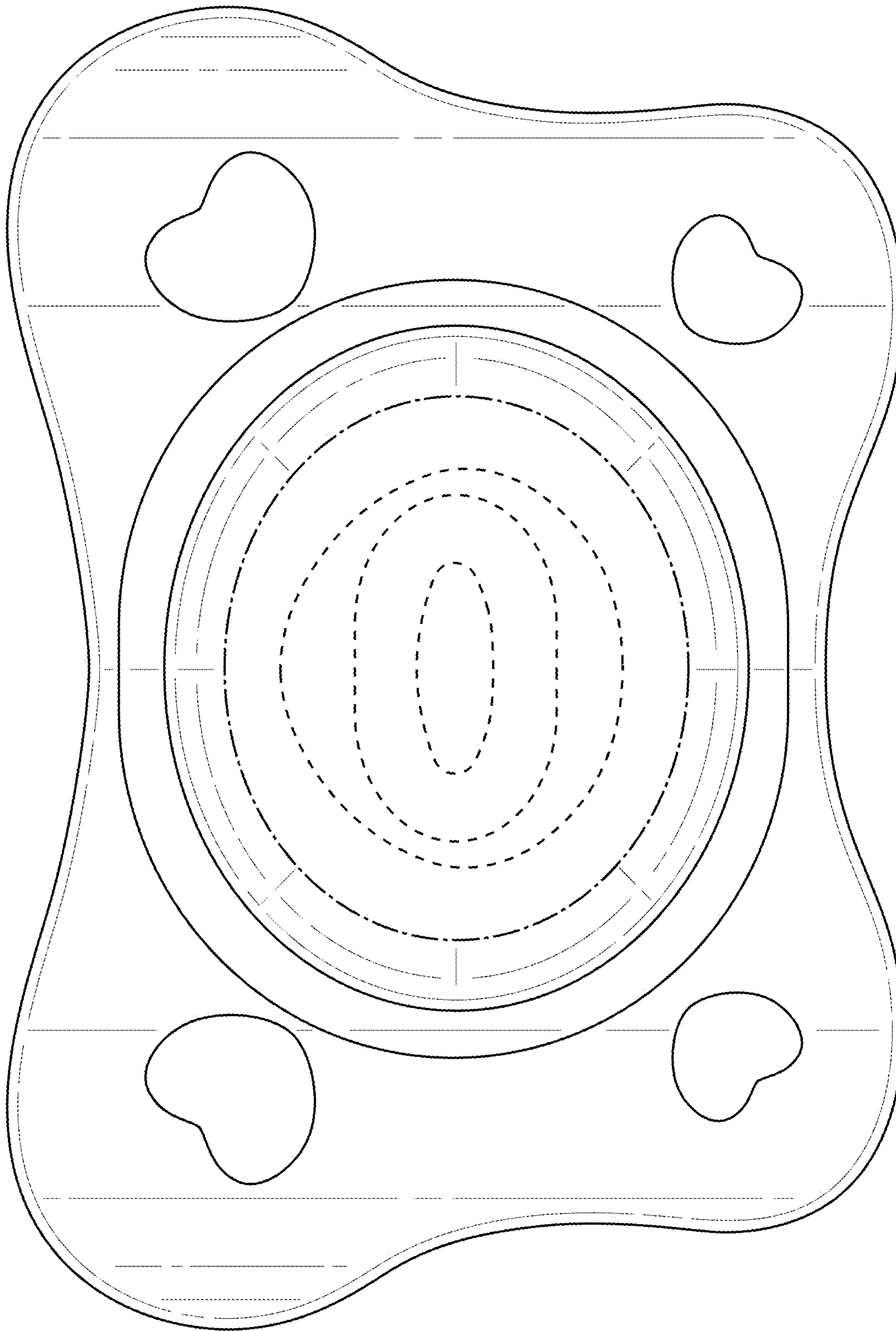
\* cited by examiner



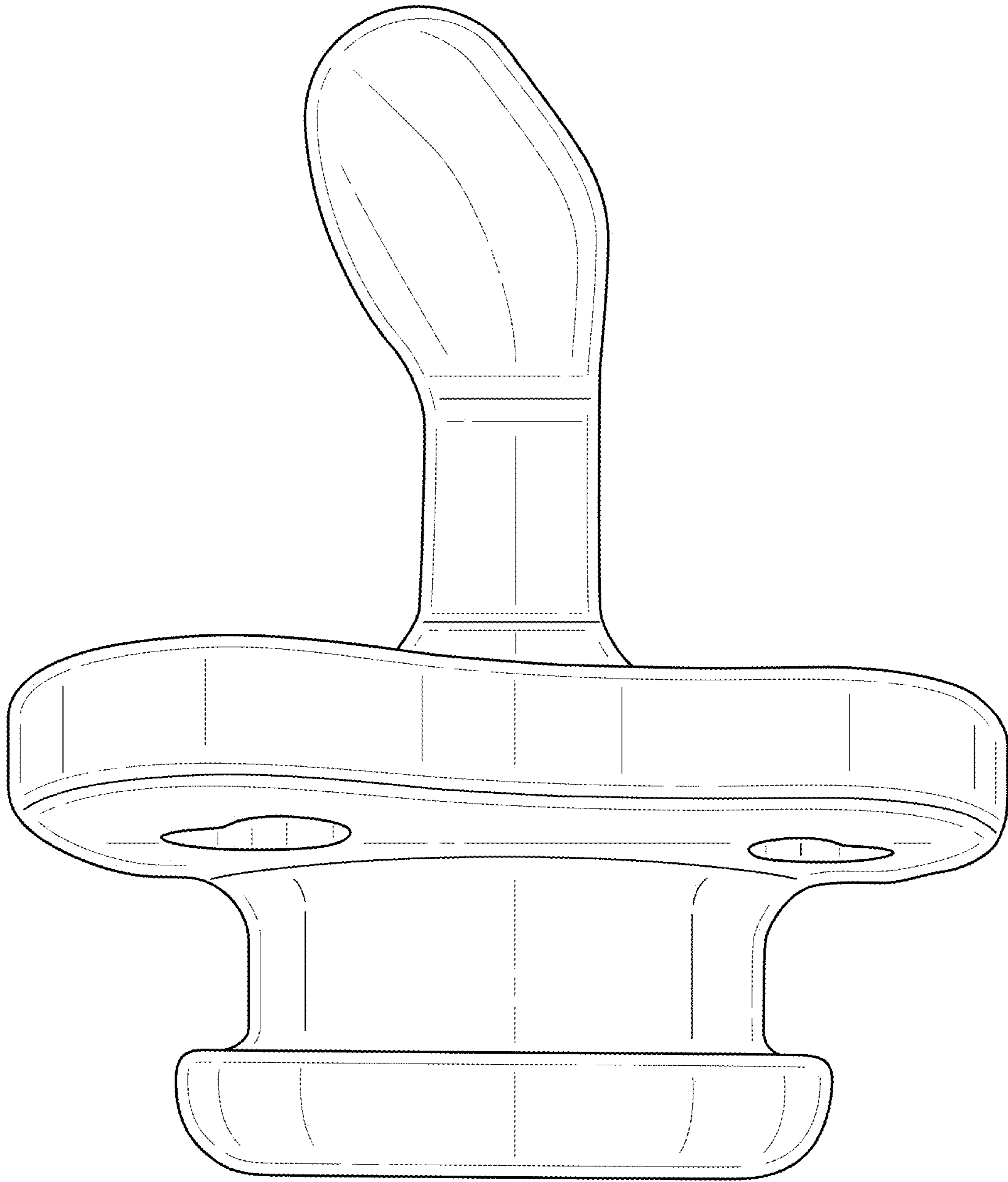
**FIG. 1**



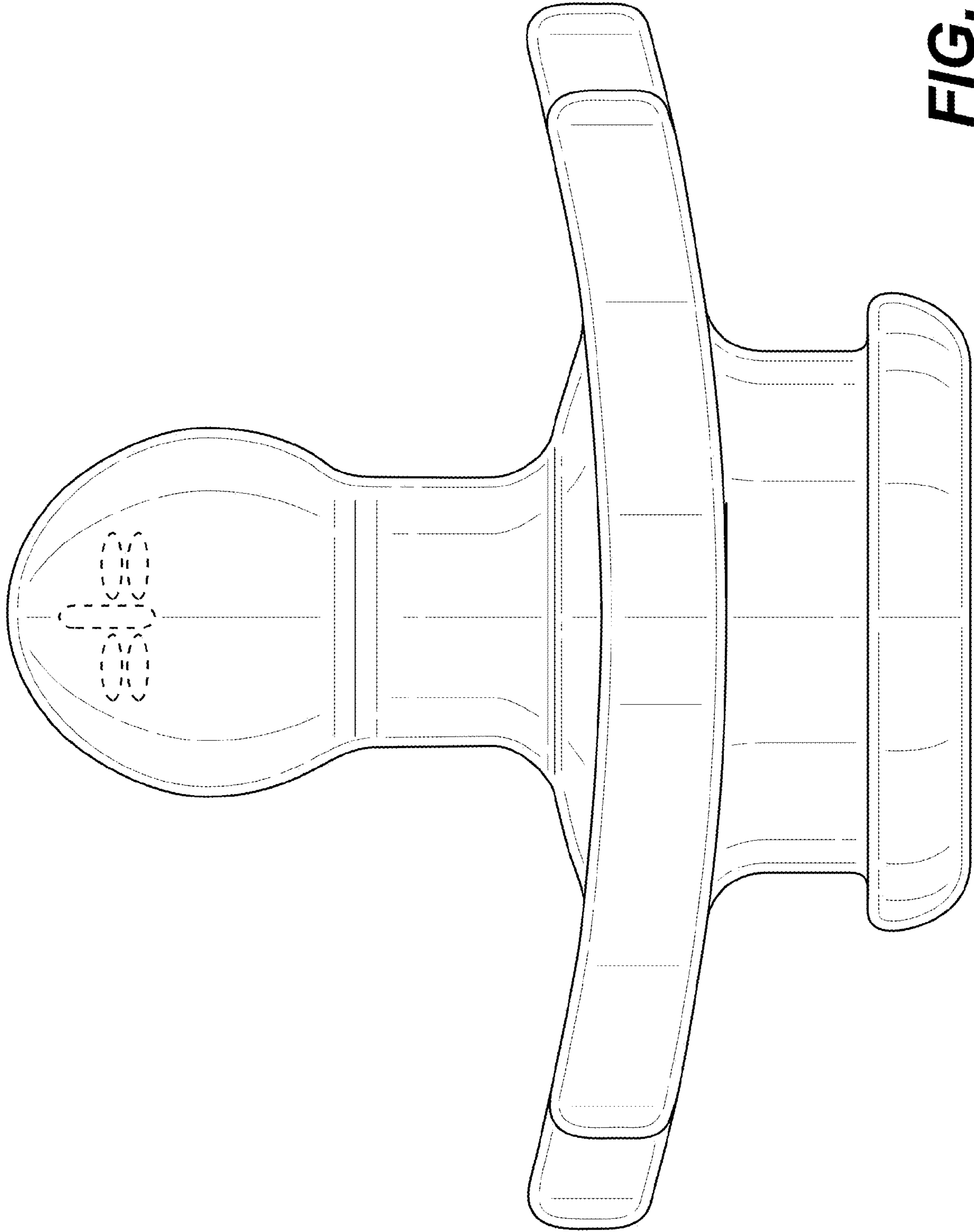
**FIG. 2**



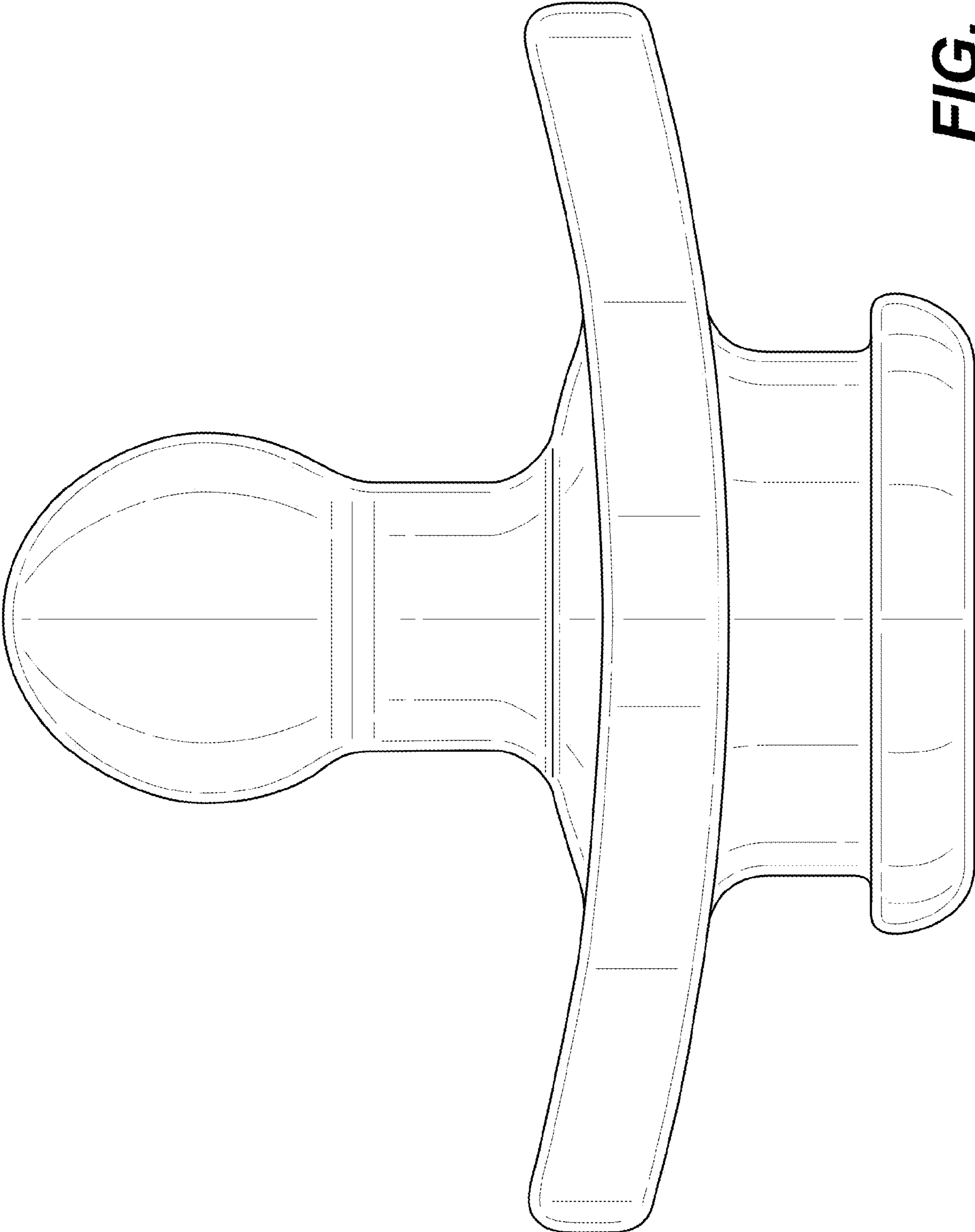
**FIG. 3**



**FIG. 4**

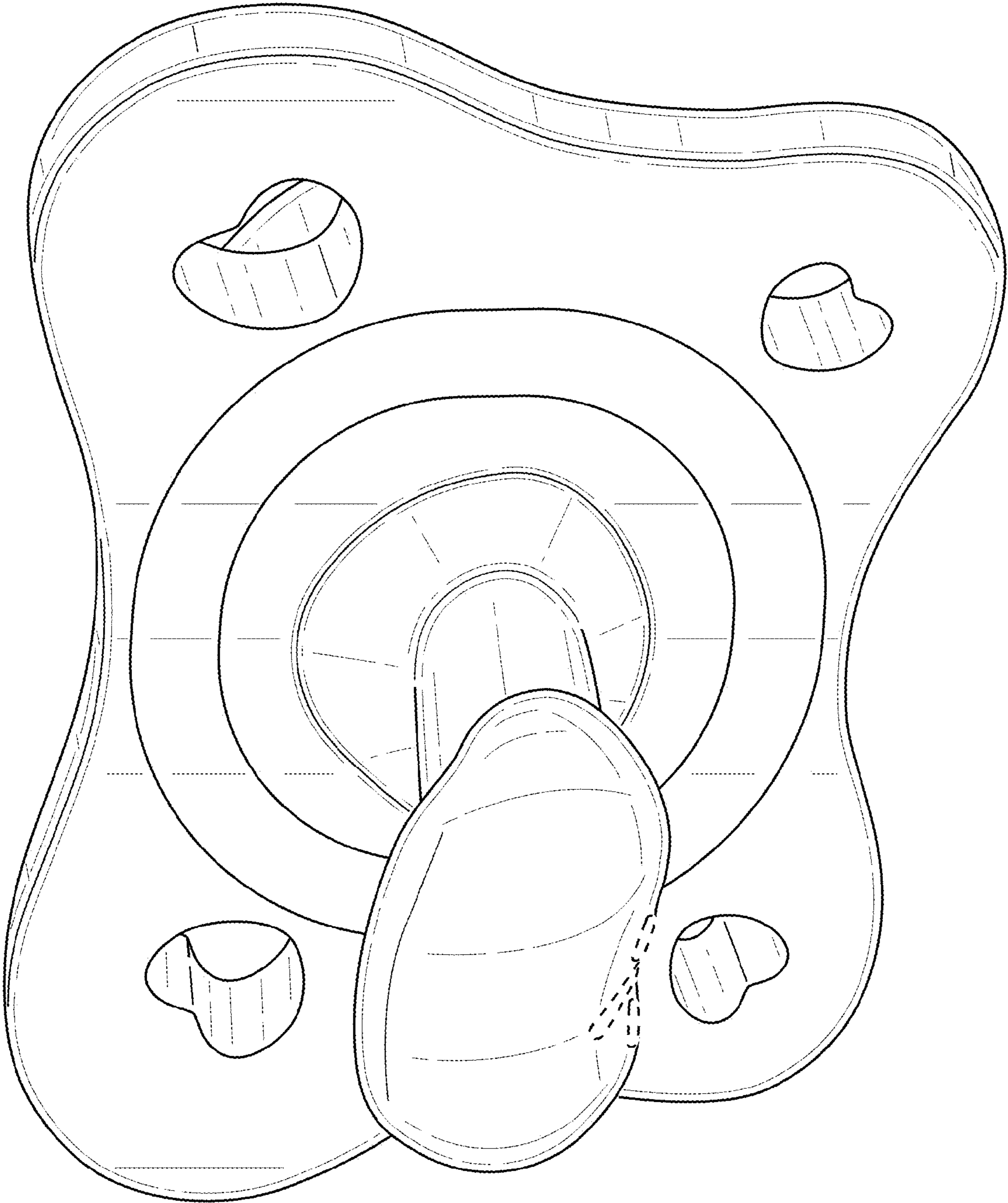


**FIG. 5**

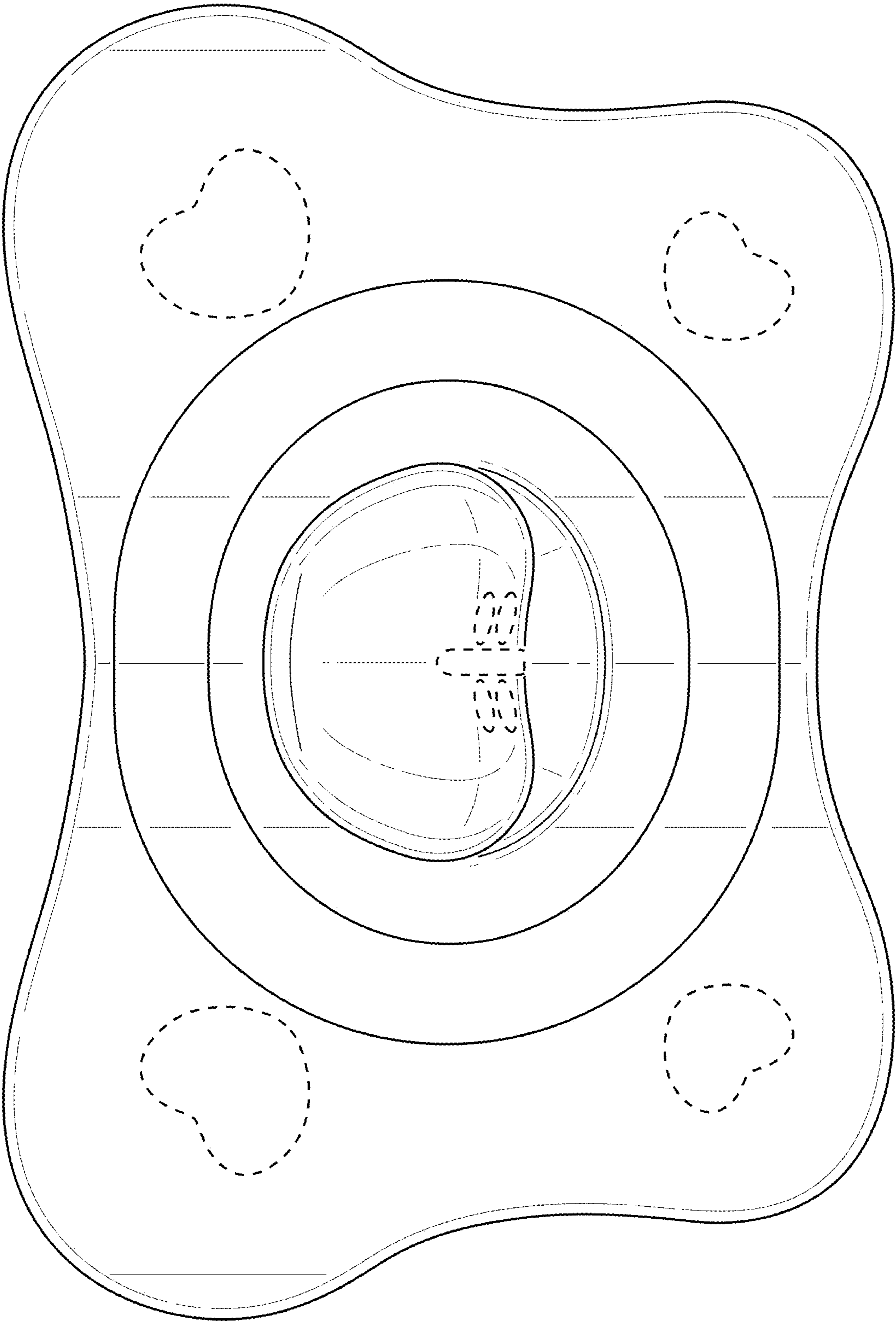


**FIG. 6**

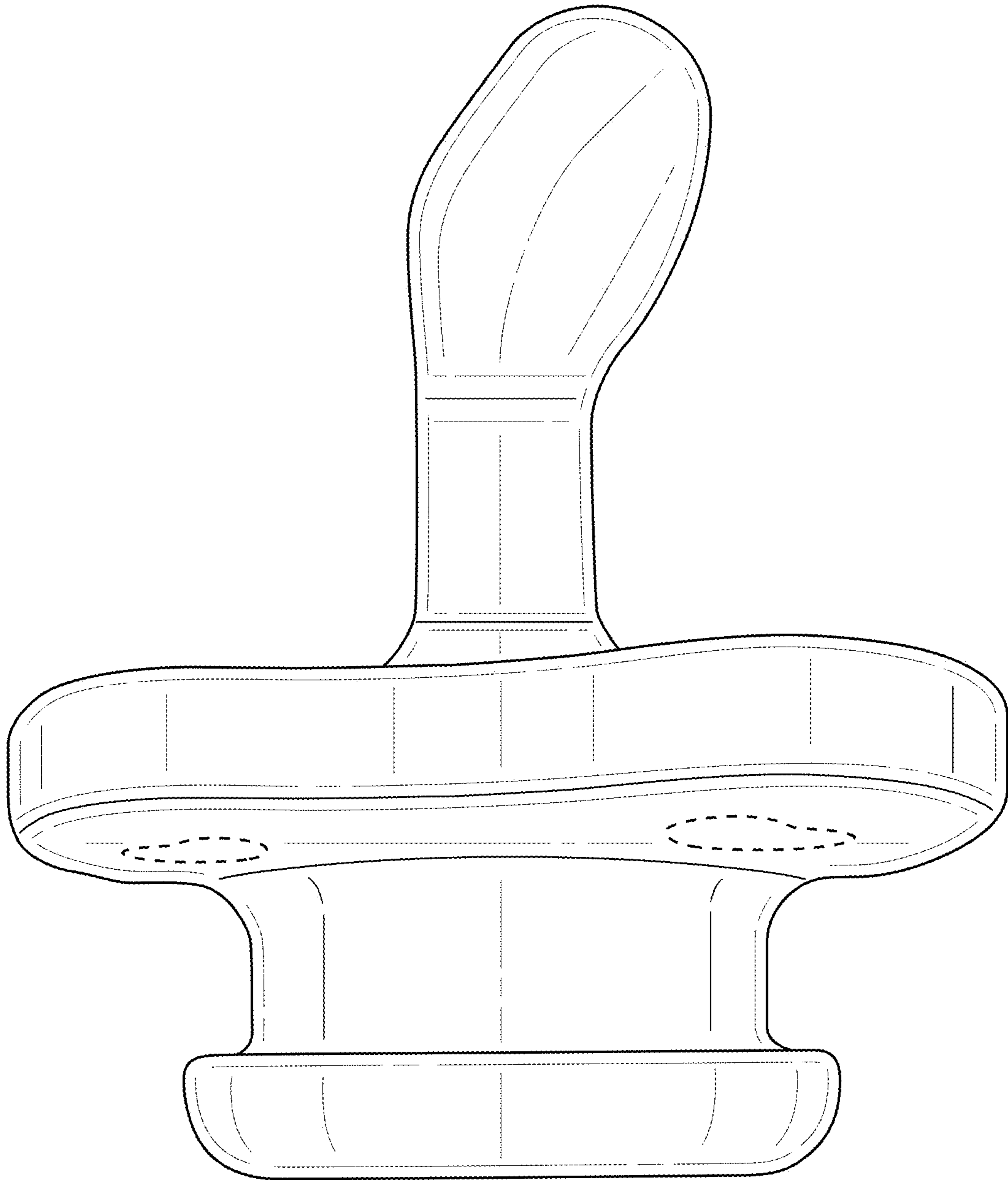




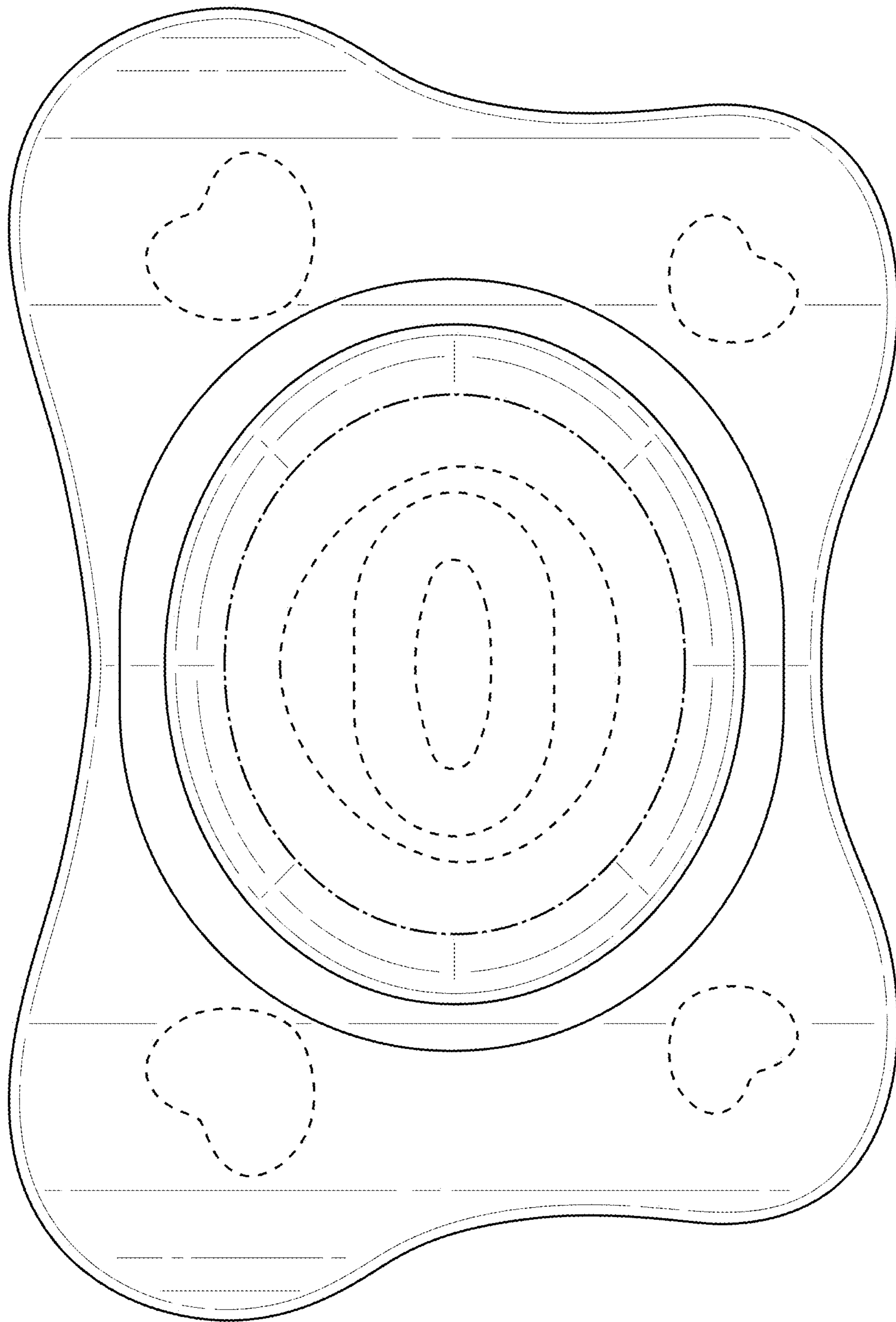
**FIG. 7**



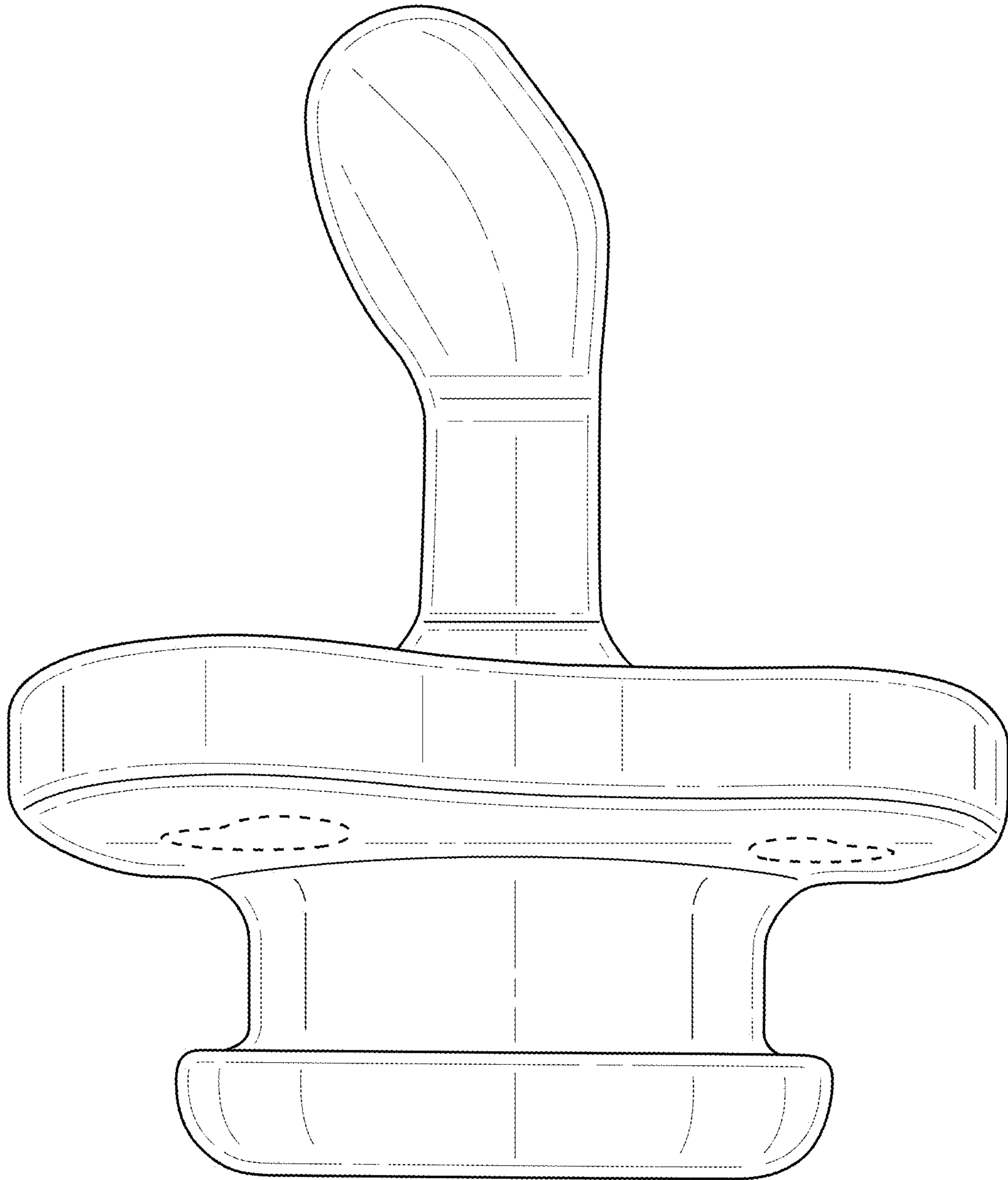
**FIG. 8**



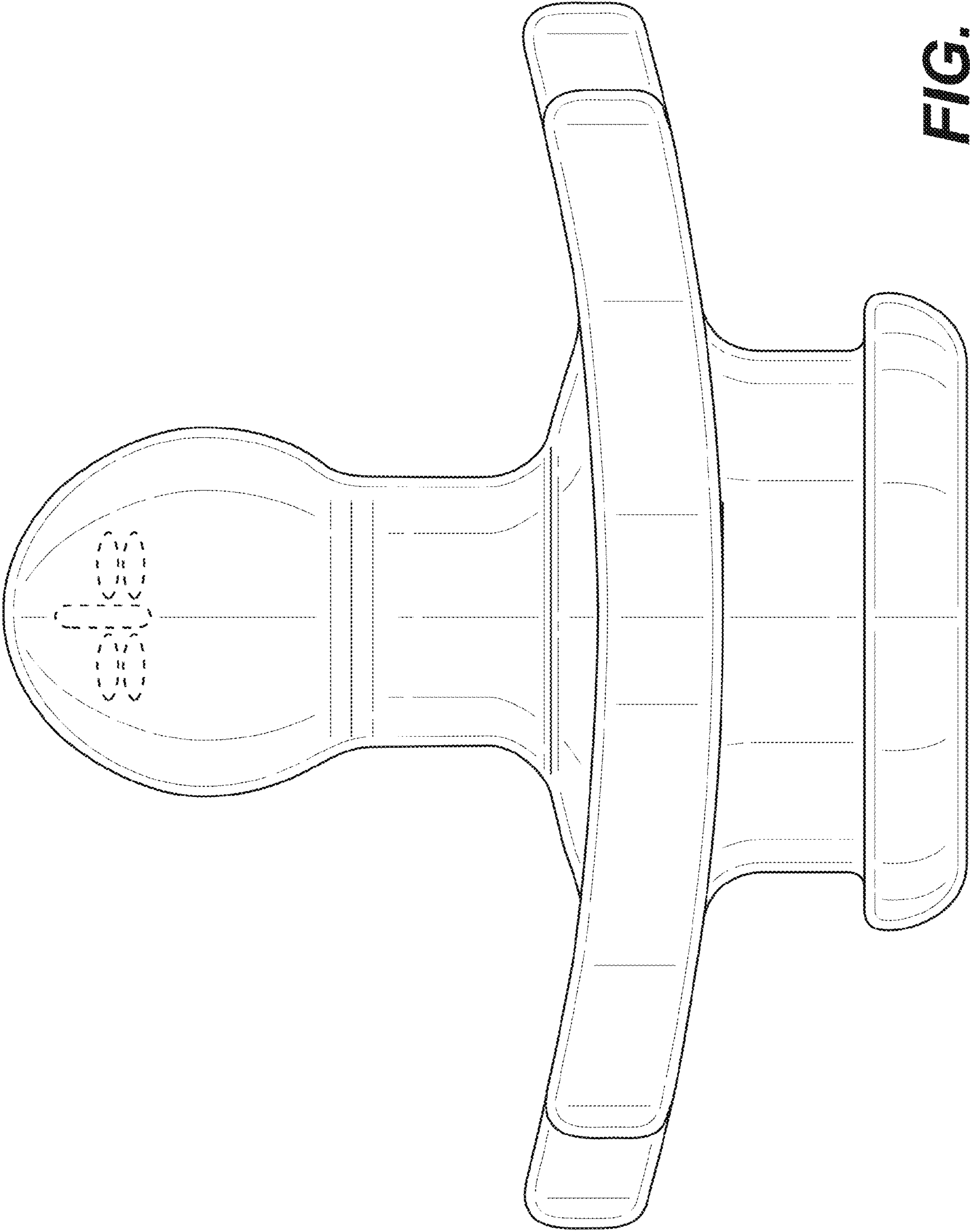
**FIG. 9**



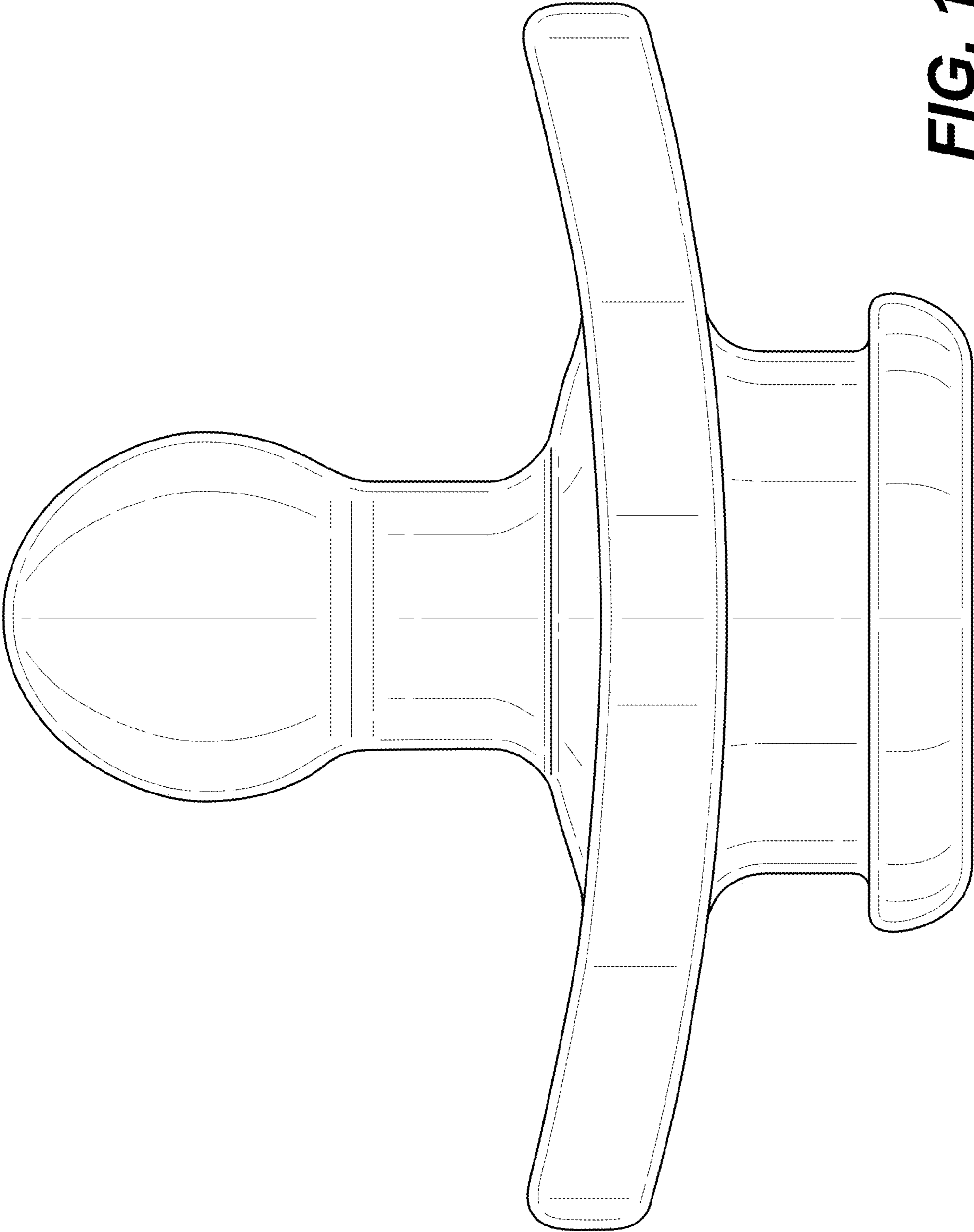
**FIG. 10**



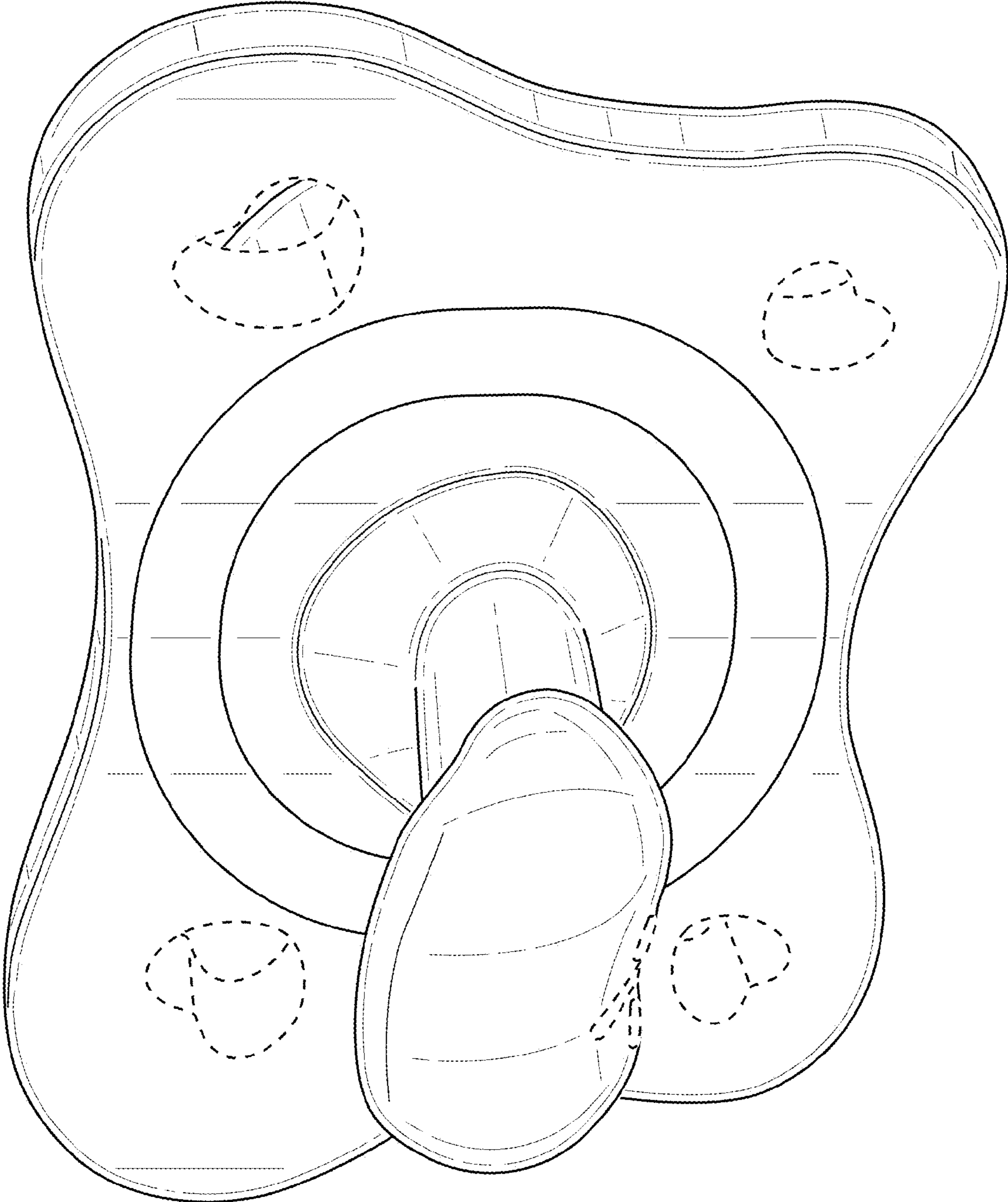
**FIG. 11**



**FIG. 12**



**FIG. 13**



**FIG. 14**