



US00D985777S

(12) **United States Design Patent**
Hess

(10) **Patent No.:** **US D985,777 S**
(45) **Date of Patent:** **** May 9, 2023**

(54) **ARM SLING**
(71) Applicant: **Kenneth R. Hess**, Prairie du Chien, WI (US)
(72) Inventor: **Kenneth R. Hess**, Prairie du Chien, WI (US)
(**) Term: **15 Years**

(21) Appl. No.: **29/777,749**

(22) Filed: **Apr. 8, 2021**

(51) **LOC (14) Cl.** **24-01**

(52) **U.S. Cl.**
USPC **D24/190**

(58) **Field of Classification Search**
USPC D24/168, 186, 187, 188–190, 191, 192;
D29/101.1–101.4
CPC A61F 5/3738; A61F 5/026; A61F 5/05808;
A61F 5/028; A61F 5/3746; Y10S 128/19;
A45F 5/00; A45F 3/14; A63B 69/0059;
A61N 1/05; A61N 1/3752; A61N 1/0551;
A61N 1/0553; A61B 5/04085; A61B
5/6823; A61B 5/0006; A61B 5/04087;
A61B 5/0022; A61B 5/0452; A61B
5/6805; A61B 5/0402; A61B 5/073; A61B
5/021

See application file for complete search history.

(56) **References Cited**

U.S. PATENT DOCUMENTS

2,594,809 A * 4/1952 Sanders A61F 5/3738
602/4
2,875,754 A * 3/1959 Messer A61F 5/3738
602/21
3,215,138 A * 11/1965 Groesbeck A61F 5/3738
D24/190
3,256,880 A * 6/1966 Caypinar A61M 5/52
128/877
3,433,221 A * 3/1969 Kendall A61F 5/3738
602/4

D222,898 S * 1/1972 Morris A61F 5/3738
D24/190
4,220,149 A * 9/1980 Mims, Jr. A61F 5/3738
602/4
4,232,664 A * 11/1980 Blatt A61F 13/10
602/4
4,285,337 A * 8/1981 Cosentino A61F 5/3738
D24/190
D267,976 S * 2/1983 Hammer A61F 5/3738
D24/190
4,372,301 A * 2/1983 Hubbard A61F 5/3738
24/265 R

(Continued)

OTHER PUBLICATIONS

Harris Hemi Arm Sling, [site visited Jan. 28, 2023]. Available from Internet. URL: https://www.rehab-store.com/p-harris-hemi-arm-sling.html?gclid=EAIaIQobChMI0Nfr-_Lq_AIVBY_ICh2yXAGrEAKYCSABEglD_D_BwE (Year: 2023).*

(Continued)

Primary Examiner — T Chase Nelson
Assistant Examiner — Kelly L Gross
(74) *Attorney, Agent, or Firm* — Cramer Patent & Design, PLLC; Aaron R. Cramer

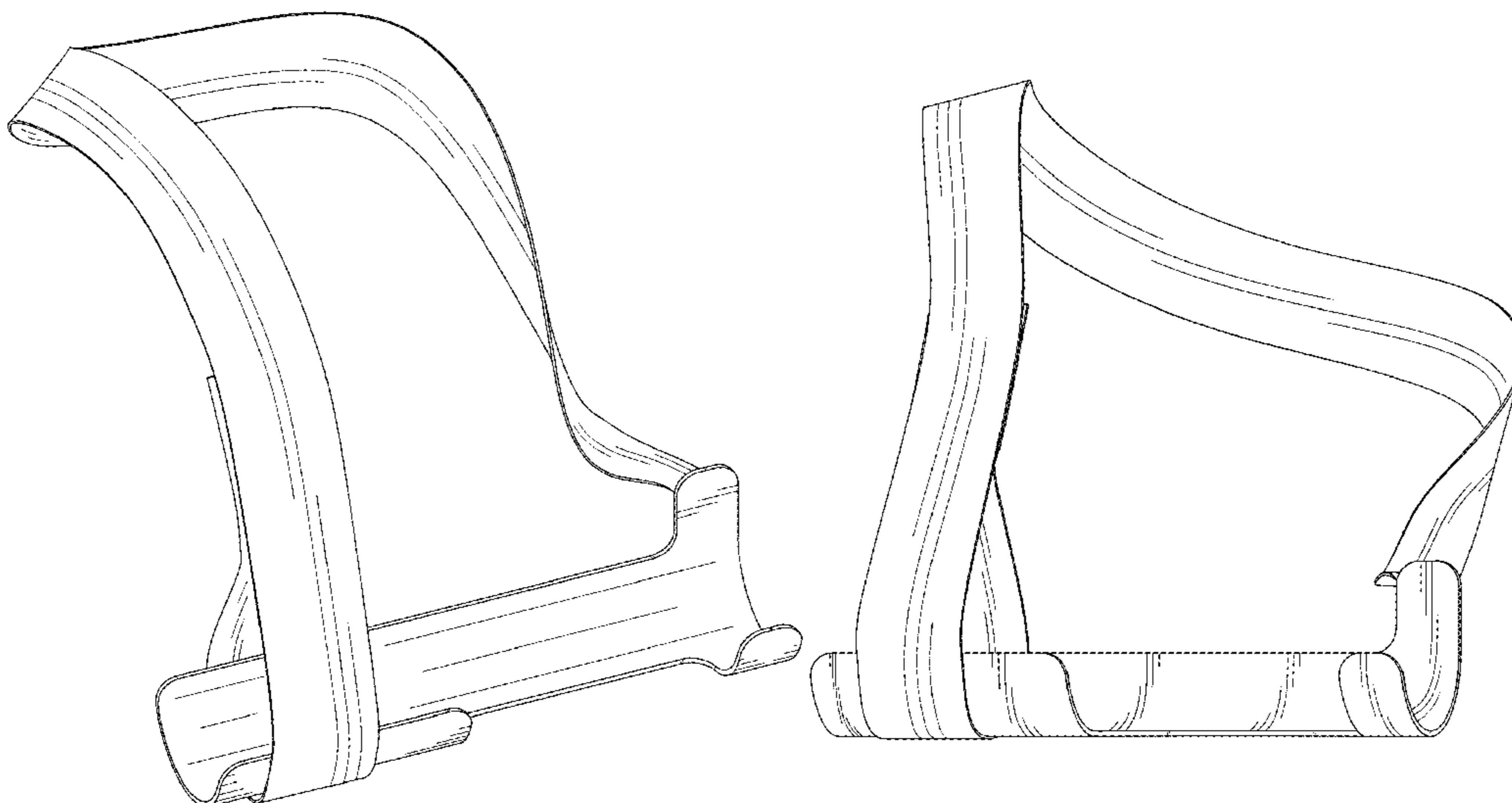
(57) **CLAIM**

The ornamental design for an arm sling, as shown and described.

DESCRIPTION

FIG. 1 is a perspective top front right view of an arm sling, showing my new design;
FIG. 2 is a perspective top rear left view thereof;
FIG. 3 is a front elevation view thereof;
FIG. 4 is a rear elevation view thereof;
FIG. 5 is a right elevation view thereof;
FIG. 6 is a left elevation view thereof;
FIG. 7 is a top plan view thereof; and,
FIG. 8 is a bottom plan view thereof.

1 Claim, 8 Drawing Sheets



(56)

References Cited

U.S. PATENT DOCUMENTS

D273,516 S * 4/1984 Saal D24/190
 4,526,164 A 7/1985 Bihl
 4,768,502 A * 9/1988 Lee A61F 5/05866
 D24/190
 4,834,082 A 5/1989 Ghadiali
 4,901,713 A 2/1990 Troeger
 5,413,552 A 5/1995 Iwuala
 5,569,172 A * 10/1996 Padden A61F 5/3753
 602/20
 5,792,083 A * 8/1998 Joslin A61F 5/3738
 602/5
 D504,518 S * 4/2005 Diaz D24/190
 D507,652 S * 7/2005 Tauber D24/190
 6,945,945 B2 9/2005 Givler et al.
 7,037,281 B1 5/2006 Jeffrey et al.
 D556,911 S * 12/2007 Tauber D24/190
 D557,811 S * 12/2007 Brooks D24/190
 D577,123 S * 9/2008 True A61F 5/3753
 D24/190

D621,943 S * 8/2010 Marino D24/190
 D642,280 S * 7/2011 Goumas D24/190
 8,597,216 B2 12/2013 Choudhury et al.
 D755,981 S * 5/2016 Shamaingar D24/190
 D756,525 S * 5/2016 Valdez D24/190
 D871,594 S * 12/2019 Joslin D24/190
 10,835,411 B2 11/2020 Sandwith
 D919,103 S * 5/2021 MacPherson D24/190
 11,109,995 B1 * 9/2021 Anjonrin-Ohu A61F 5/3738
 D962,450 S * 8/2022 Cox D24/190
 D967,441 S * 10/2022 Daken D24/190
 2015/0265453 A1 * 9/2015 Bieber A61F 5/3738
 602/4
 2022/0079799 A1 * 3/2022 Cox A61F 5/3738

OTHER PUBLICATIONS

Hemiplegic CVA Arm Sling, [site visited Jan. 28, 2023]. Available from Internet. URL: <https://www.diamondathletic.com/products/hemiplegic-cva-arm-sling> (Year: 2023).*

* cited by examiner

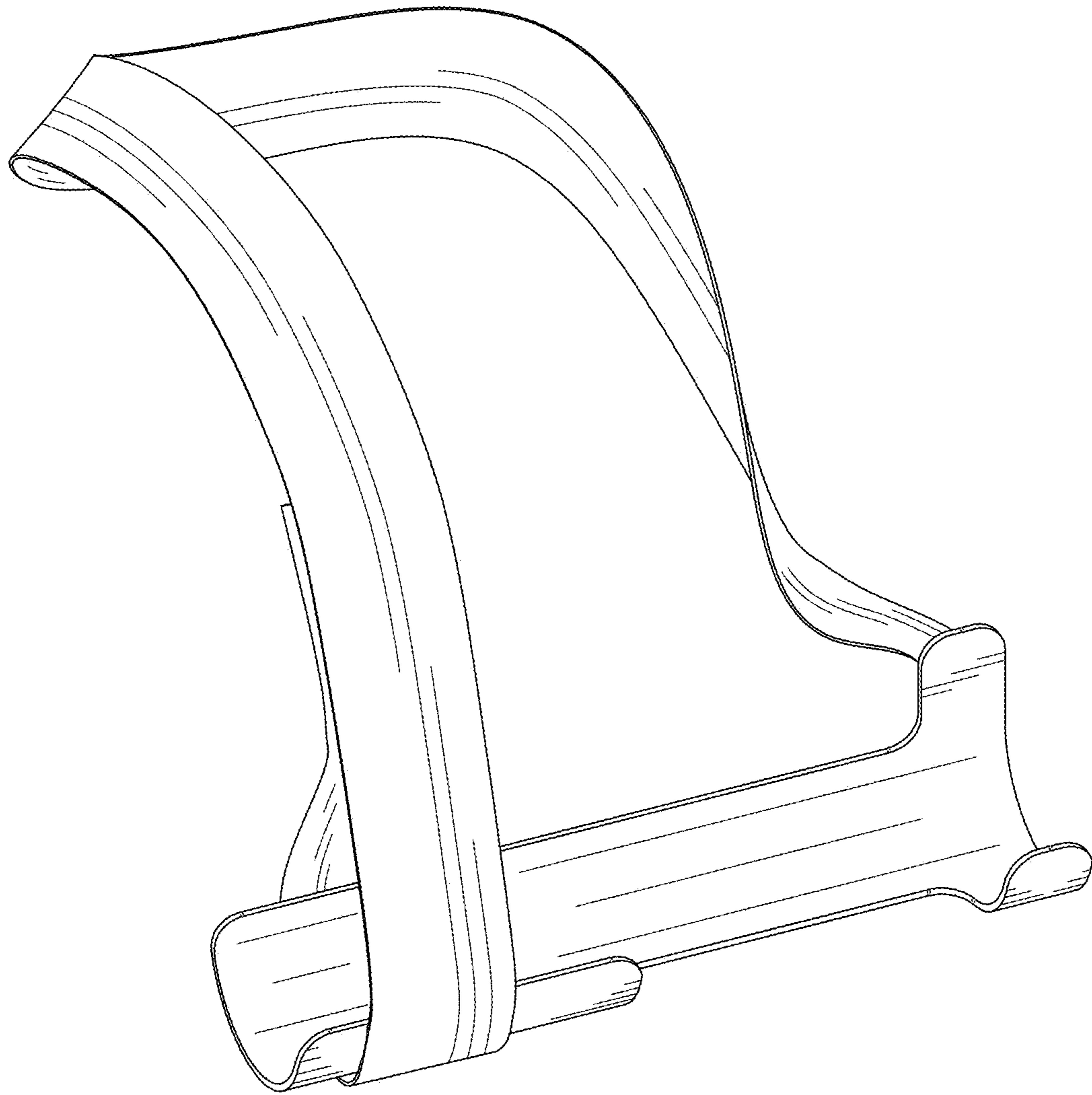


FIG. 1

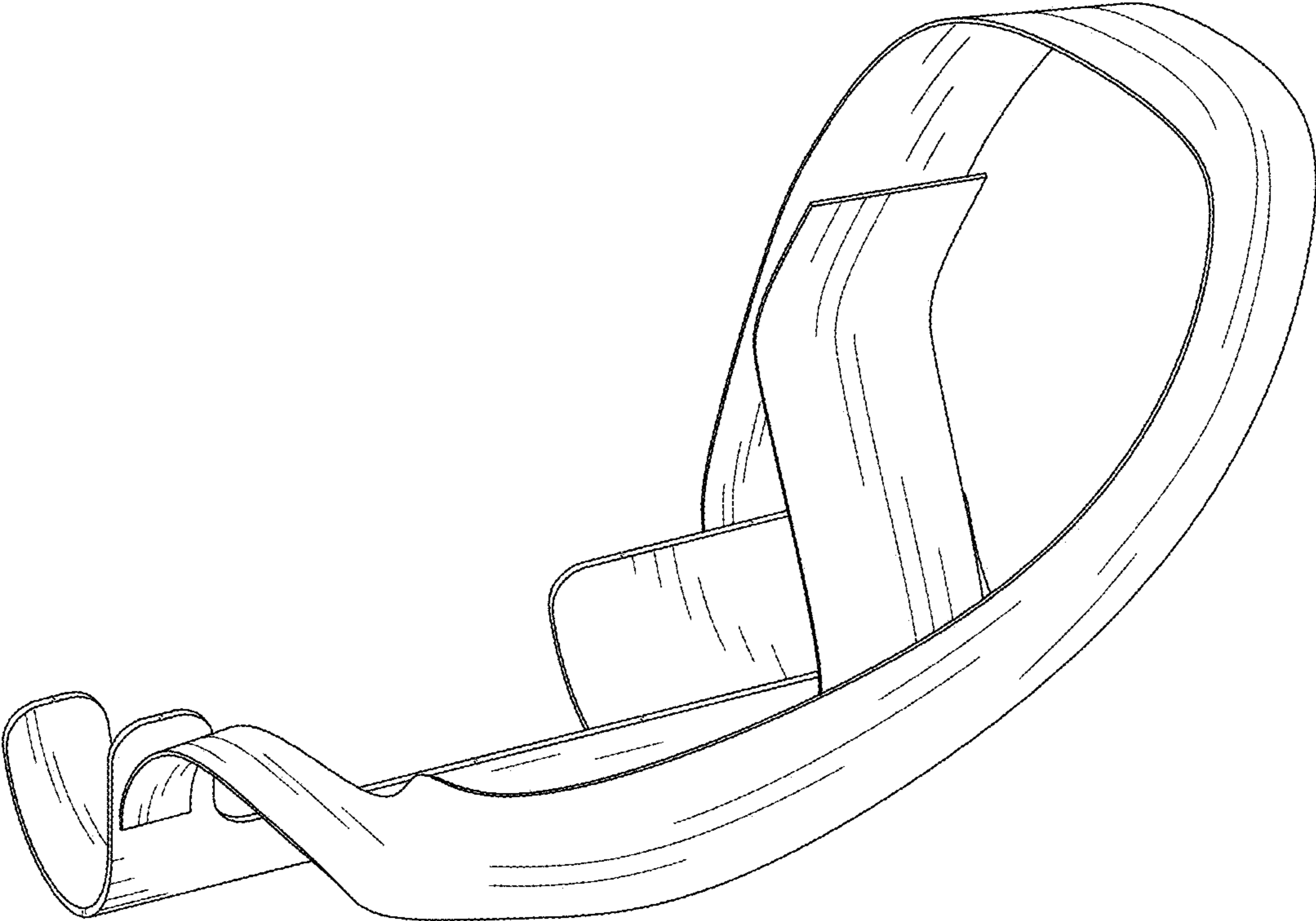


FIG. 2

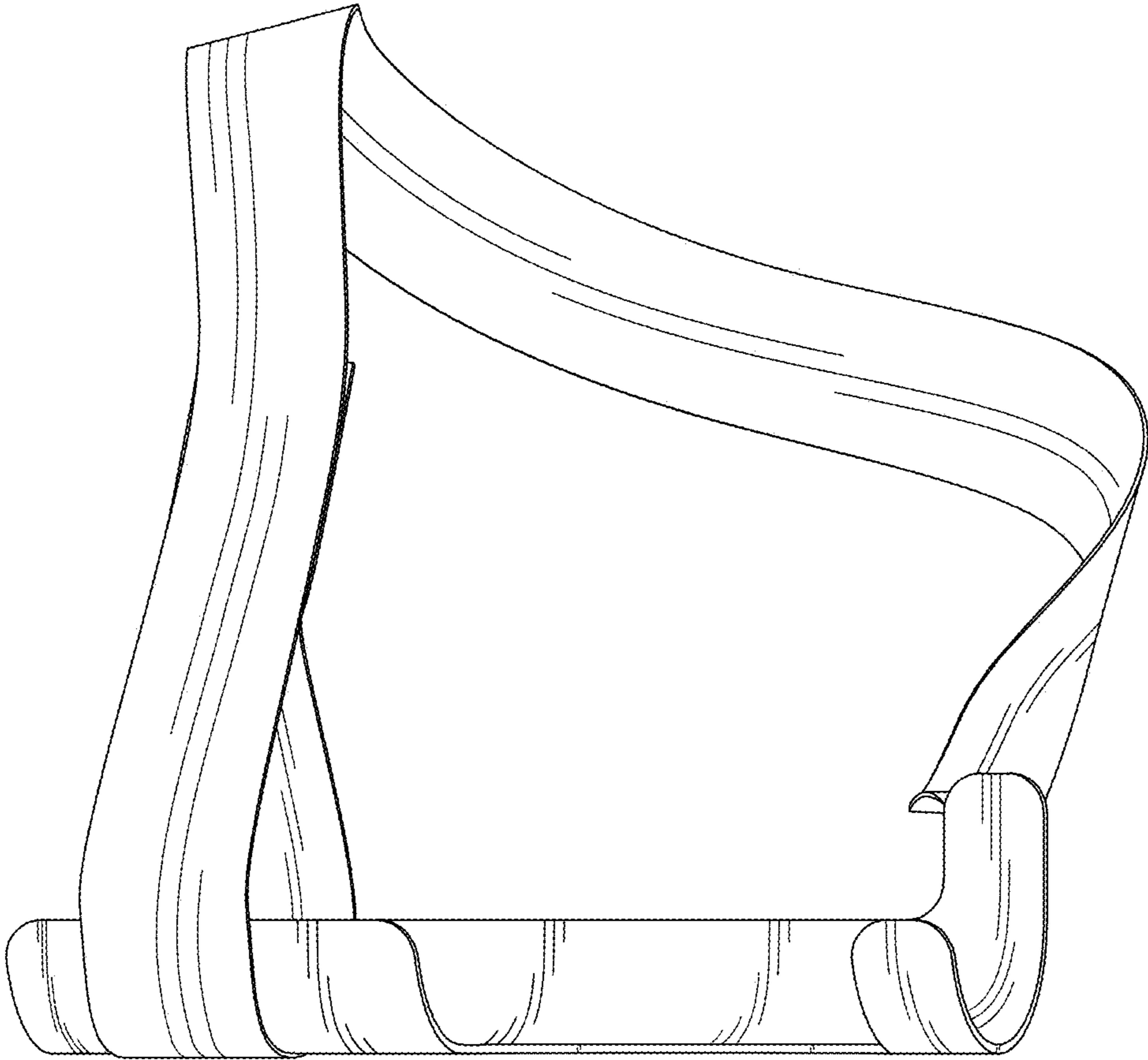


FIG. 3

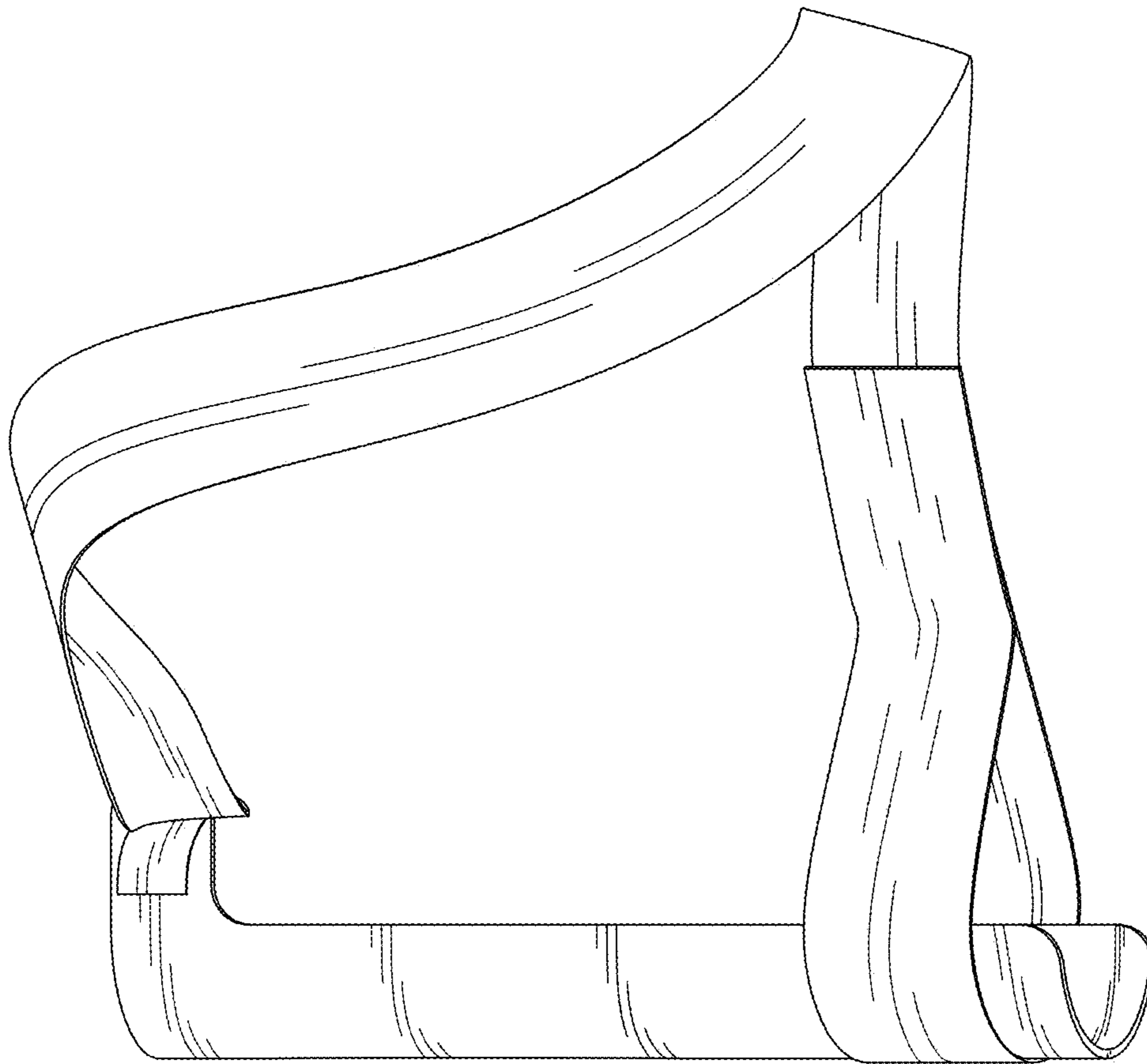


FIG. 4

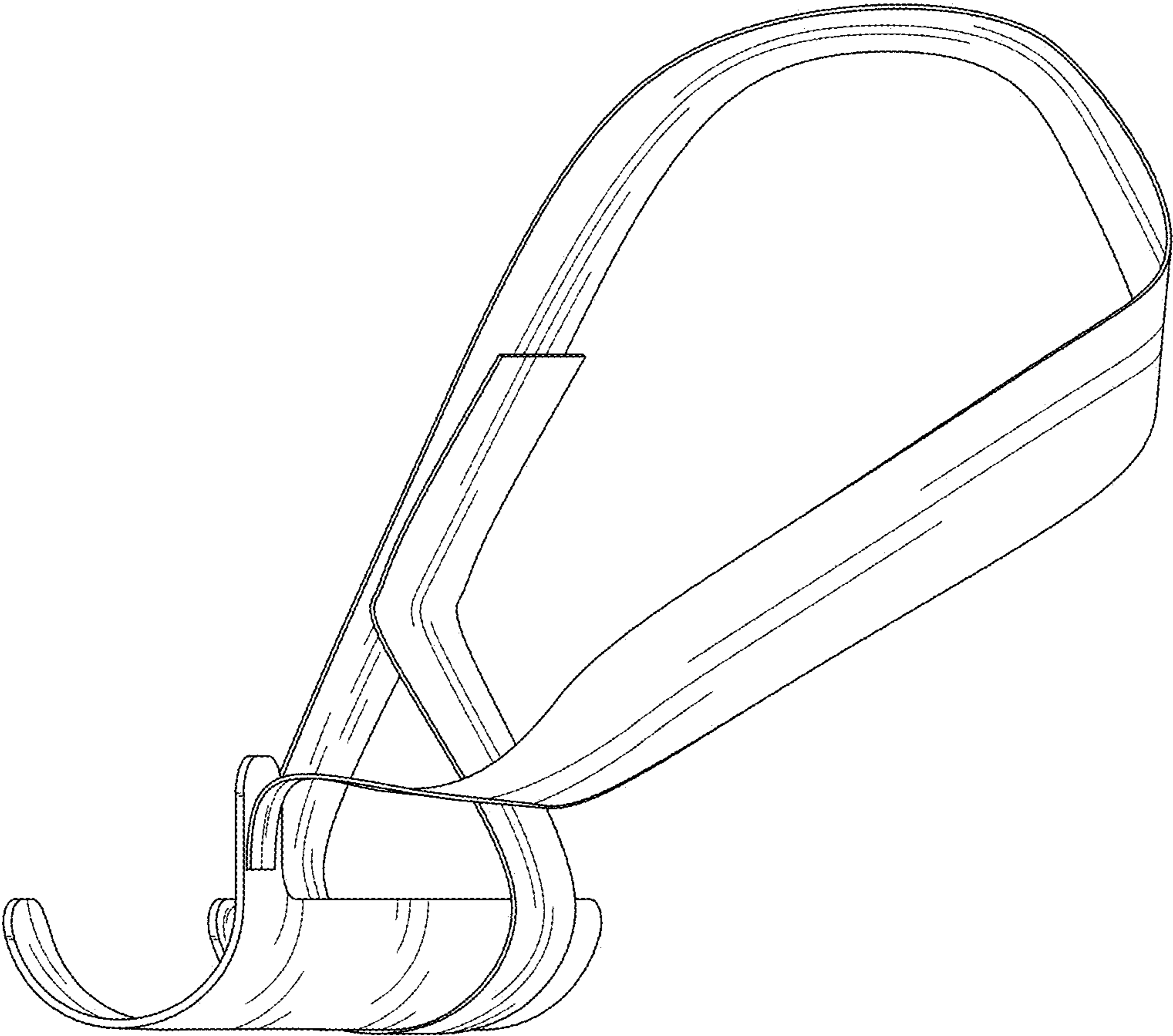


FIG. 5

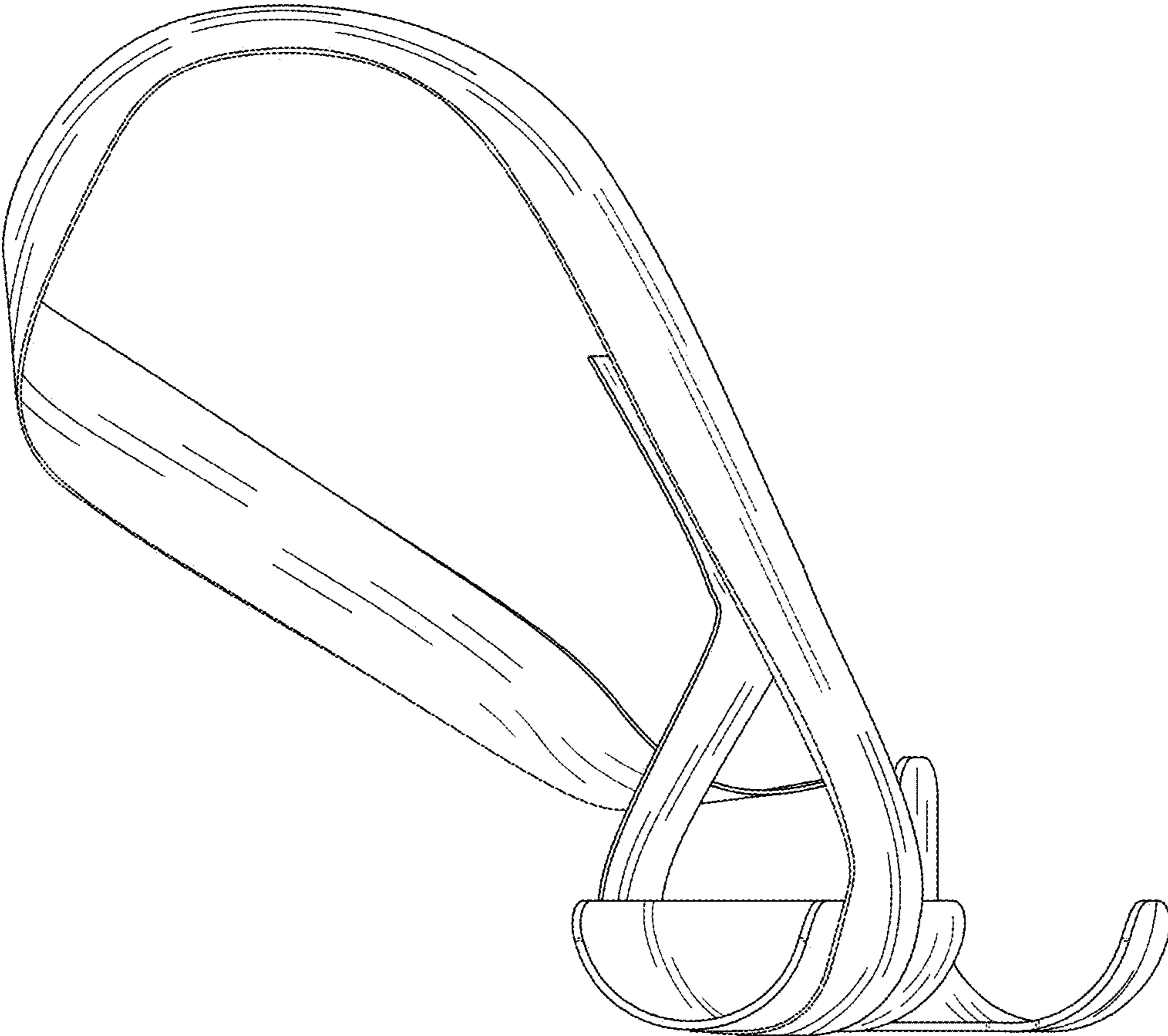


FIG. 6

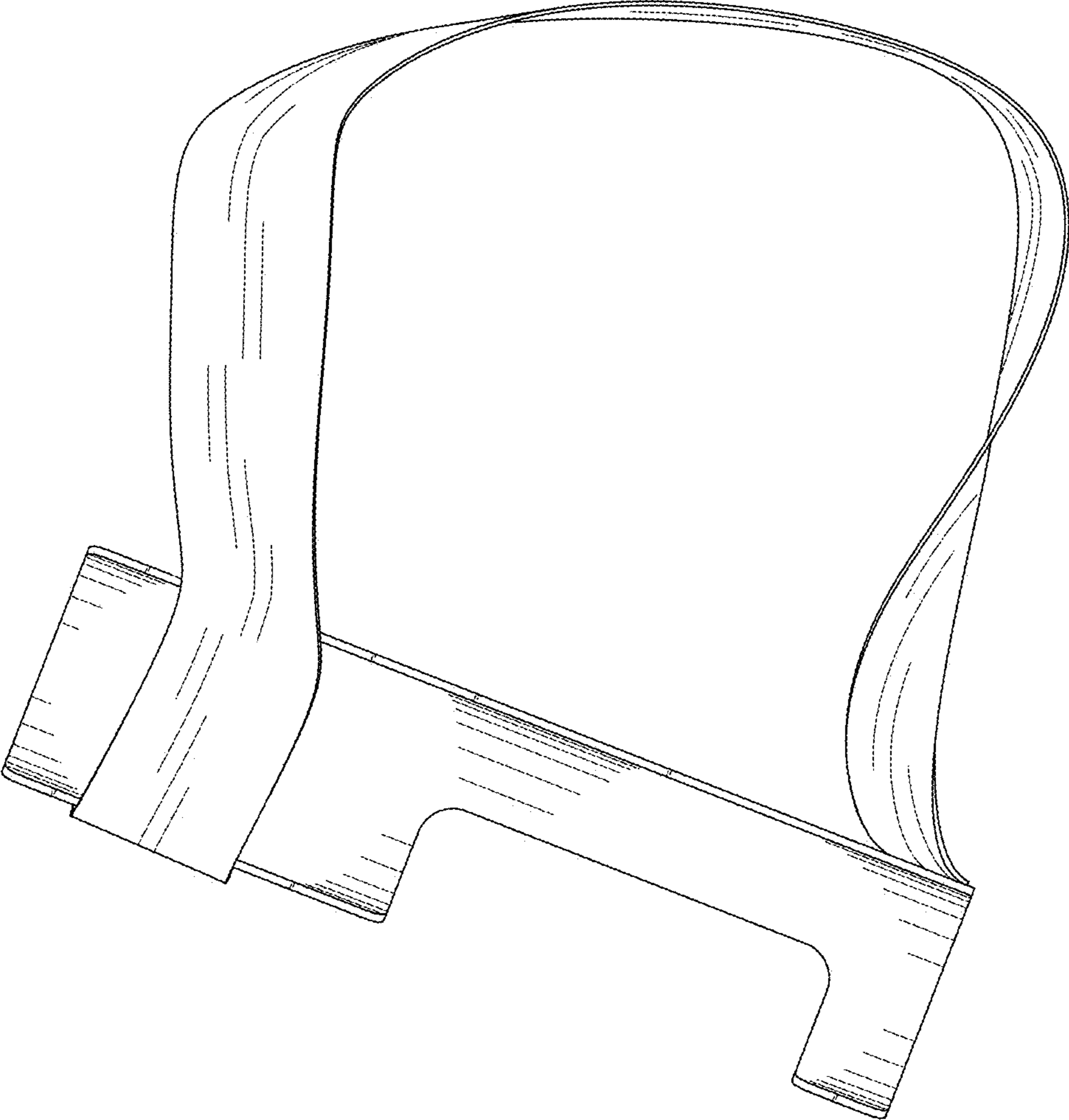


FIG. 7

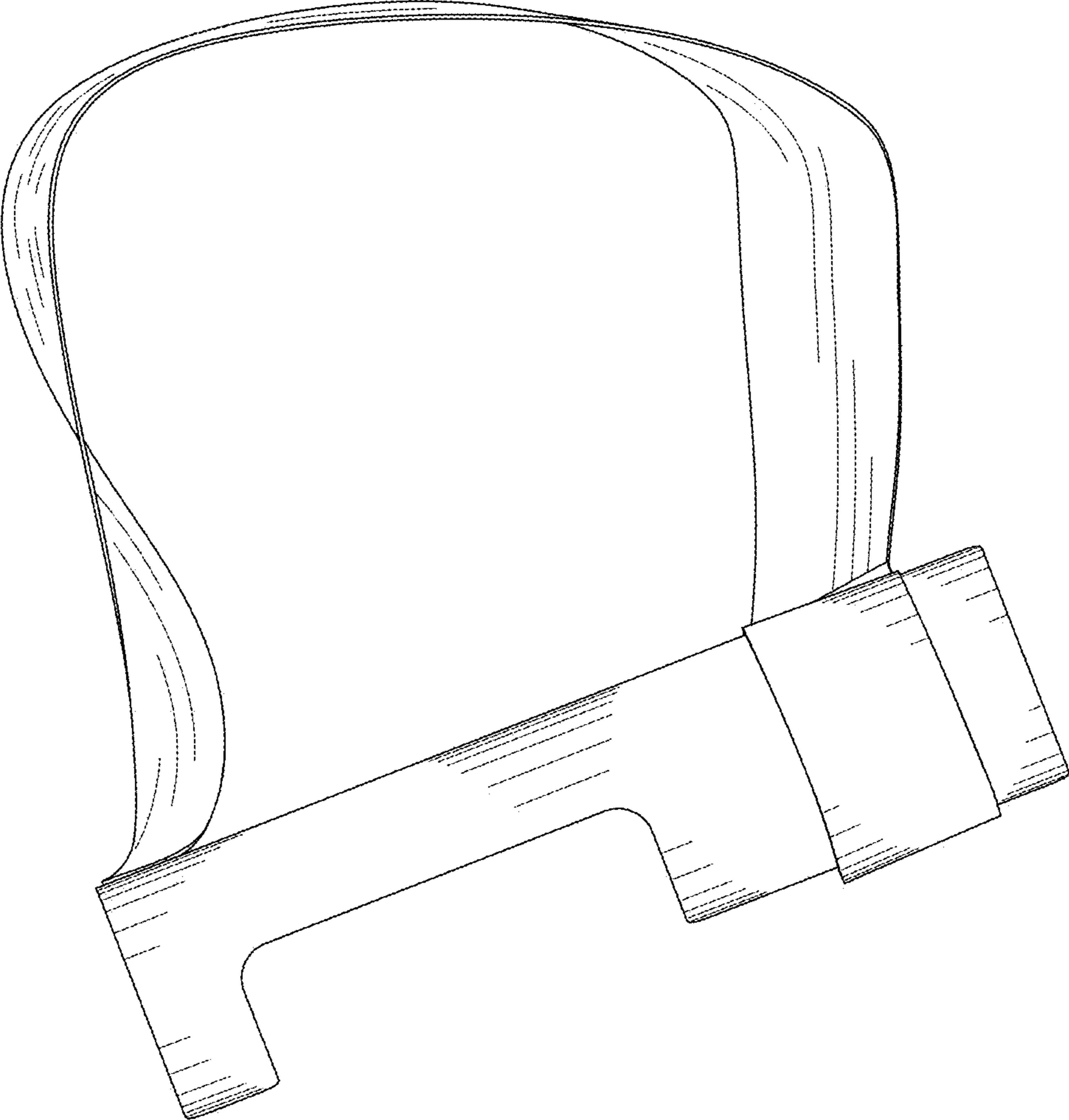


FIG. 8