



US00D985775S

(12) **United States Design Patent** (10) **Patent No.:** **US D985,775 S**  
**Smallwood** (45) **Date of Patent:** **\*\* May 9, 2023**

(54) **FACE SUPPORT FRAME**

FOREIGN PATENT DOCUMENTS

(71) Applicant: **Hypnap LLC**, Waltham, MA (US)

CN 202130771007.4 \* 4/2022

(72) Inventor: **Eric William Smallwood**, Medford, MA (US)

OTHER PUBLICATIONS

(73) Assignee: **Hypnap LLC**, Waltham, MA (US)

Chloe Hill LinkedIn page. Online, published date 2021. Retrieved on Nov. 18, 2022 from URL: [https://www.linkedin.com/posts/chloe1hill\\_our-final-trurest-design-is-almost-finished-activity-6854135907180711937-Rgqq](https://www.linkedin.com/posts/chloe1hill_our-final-trurest-design-is-almost-finished-activity-6854135907180711937-Rgqq).\*

(\*\*) Term: **15 Years**

(Continued)

(21) Appl. No.: **29/788,913**

(22) Filed: **Aug. 13, 2021**

*Primary Examiner* — Omeed Agilee

(74) *Attorney, Agent, or Firm* — Intrinsic Law Corp.

**Related U.S. Application Data**

(63) Continuation-in-part of application No. 17/445,020, filed on Aug. 13, 2021, and a continuation-in-part of application No. 17/445,023, filed on Aug. 13, 2021.

(51) **LOC (14) Cl.** ..... **24-02**

(52) **U.S. Cl.**

USPC ..... **D24/184**

(58) **Field of Classification Search**

USPC ..... D24/107, 158–161, 184, 185, 186, 187, D24/231, 232, 234; D29/100, 101.1, 110; D2/860, 861, 872–874

CPC ..... A61B 6/107; A61B 6/4411; G21F 3/00; G21F 3/02; G21Y 2004/30; A61N 2005/1094

See application file for complete search history.

(56) **References Cited**

**U.S. PATENT DOCUMENTS**

2,462,005 A \* 2/1949 Schauweker ..... A62B 18/02 D24/110.2  
2,505,640 A \* 4/1950 Fitch ..... A61F 9/06 224/259  
3,041,624 A \* 7/1962 Cutrona, Jr. .... A41D 13/1184 2/206  
D214,014 S \* 5/1969 Jones ..... D29/110  
3,490,071 A \* 1/1970 Marshall ..... A61F 9/061 D29/110

(Continued)

**DESCRIPTION**

(57) **CLAIM**

The ornamental design for a face support frame, as shown and described.

FIG. 1 is a front right perspective view of a design for a face support frame.

FIG. 2 is a front view of the face support frame illustrated in FIG. 1.

FIG. 3 is a rear view of the face support frame illustrated in FIG. 1.

FIG. 4 is a right-side view of the face support frame illustrated in FIG. 1.

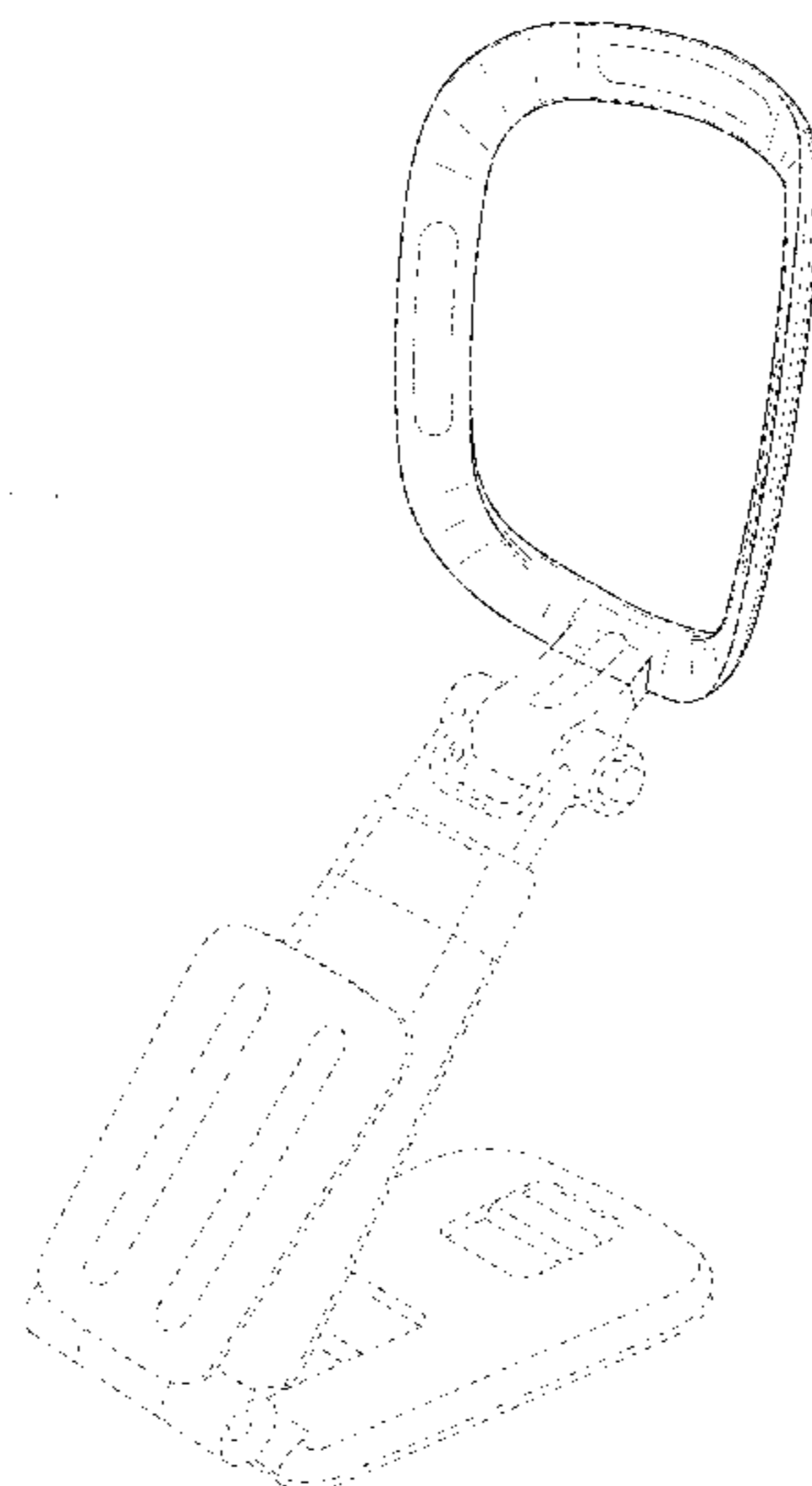
FIG. 5 is a left-side view of the face support frame illustrated in FIG. 1.

FIG. 6 is a top view of the face support frame illustrated in FIG. 1; and,

FIG. 7 is a bottom view of the face support frame illustrated in FIG. 1.

The dot-dash broken line immediately adjacent to the bottom of the shaded area defines the bounds of the claimed design and forms no part thereof. The broken lines in the drawings depict portions of the face support frame that form no part of the claimed design.

**1 Claim, 4 Drawing Sheets**



(56)

**References Cited**

U.S. PATENT DOCUMENTS

D297,765 S *	9/1988	Conlon .....	D24/234
D354,589 S *	1/1995	Russell .....	A41D 13/1184
			D29/110
D503,497 S *	3/2005	Canavan .....	D29/110
D552,243 S *	10/2007	Yoshida .....	D24/183
D628,750 S *	12/2010	Schwanz .....	D29/110
D705,994 S *	5/2014	Ryan .....	D29/110
D716,958 S *	11/2014	Thomas .....	D24/200
D724,746 S *	3/2015	Ruel .....	D24/190
D728,798 S *	5/2015	Moon .....	D24/184
D765,839 S *	9/2016	Ek .....	D6/406.3
D793,008 S *	7/2017	Yang .....	D29/110
D797,945 S *	9/2017	Kim .....	D24/191
D861,175 S *	9/2019	Jarva .....	D24/183
D942,017 S *	1/2022	Ahearn .....	D24/184

OTHER PUBLICATIONS

Massager Bed, for Professional. Online, published date unknown.  
Retrieved on Nov. 18, 2022 from URL: <https://www.indiamart.com/proddetail/massager-bed-17940030973.html>.\*

\* cited by examiner

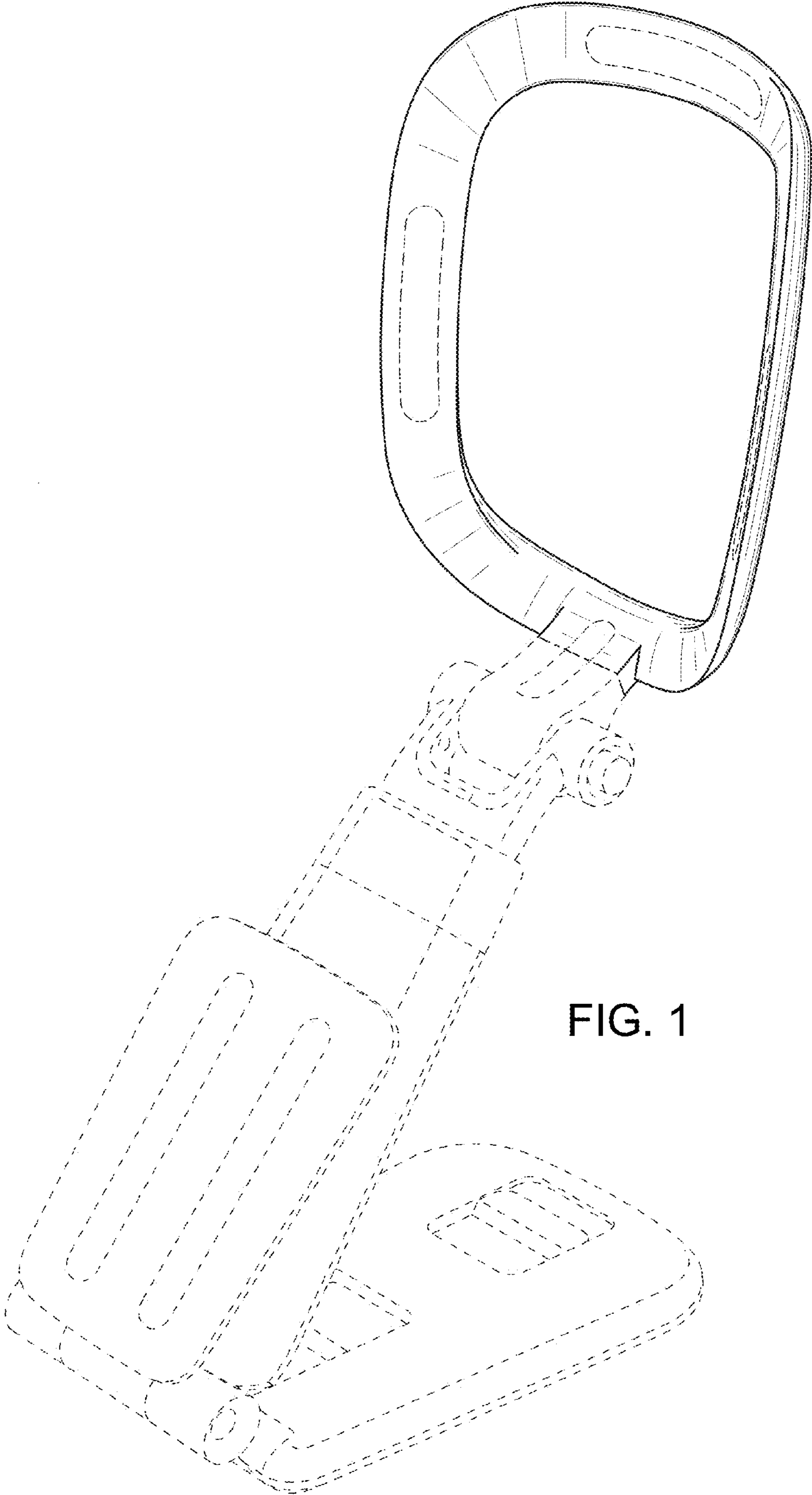


FIG. 1

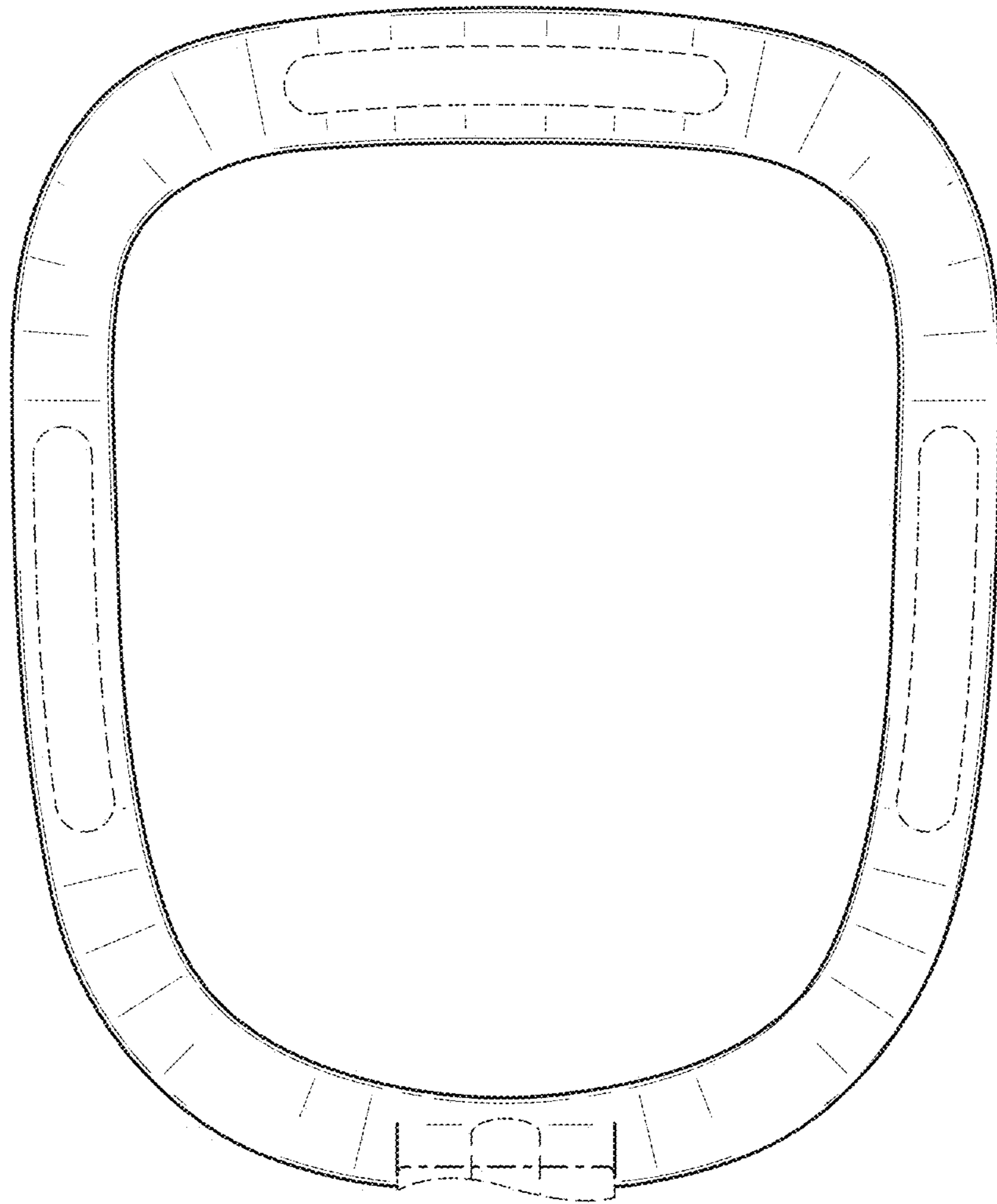


FIG. 2

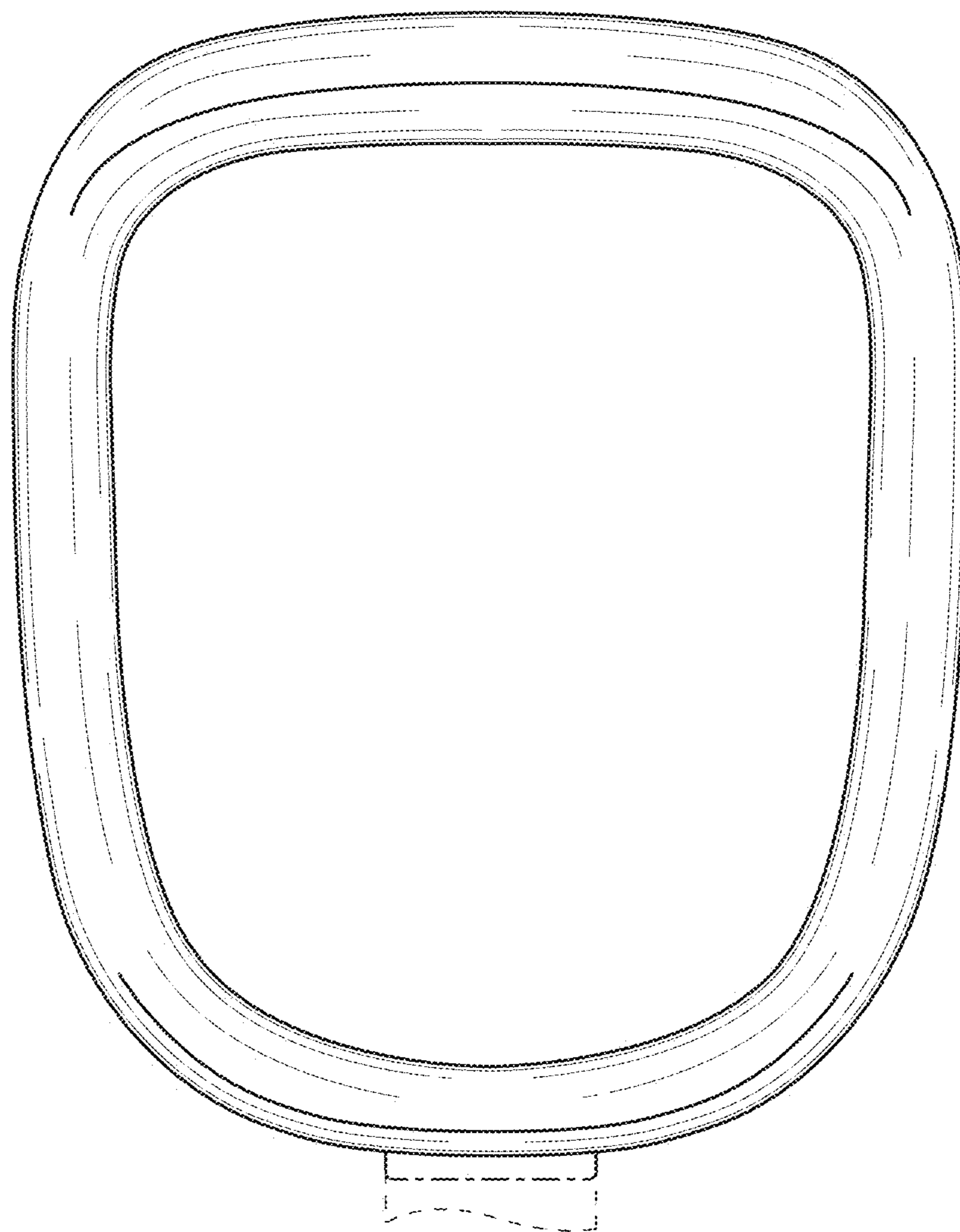


FIG. 3

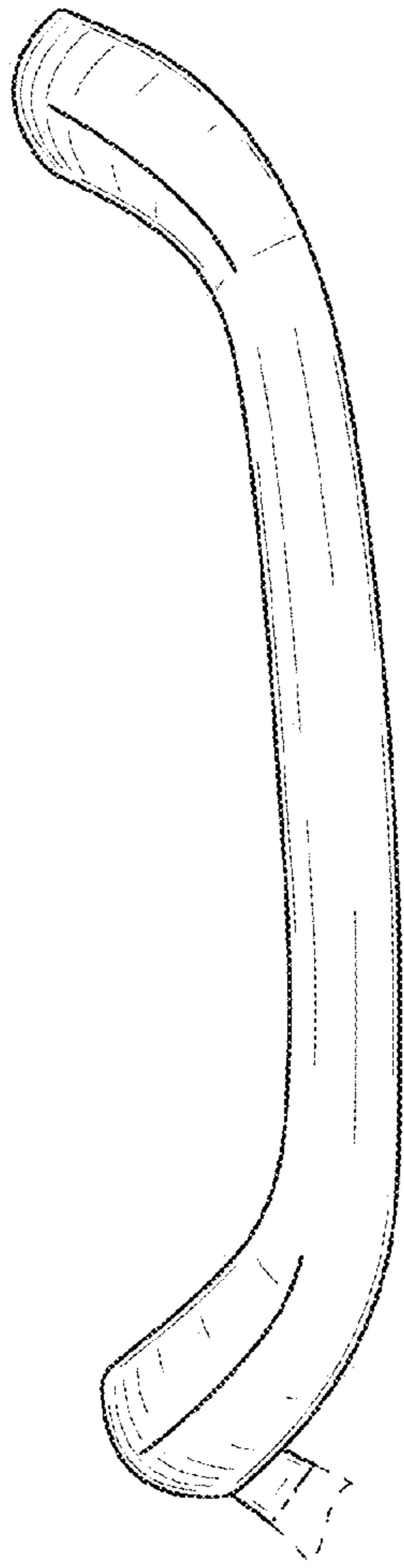


FIG. 4

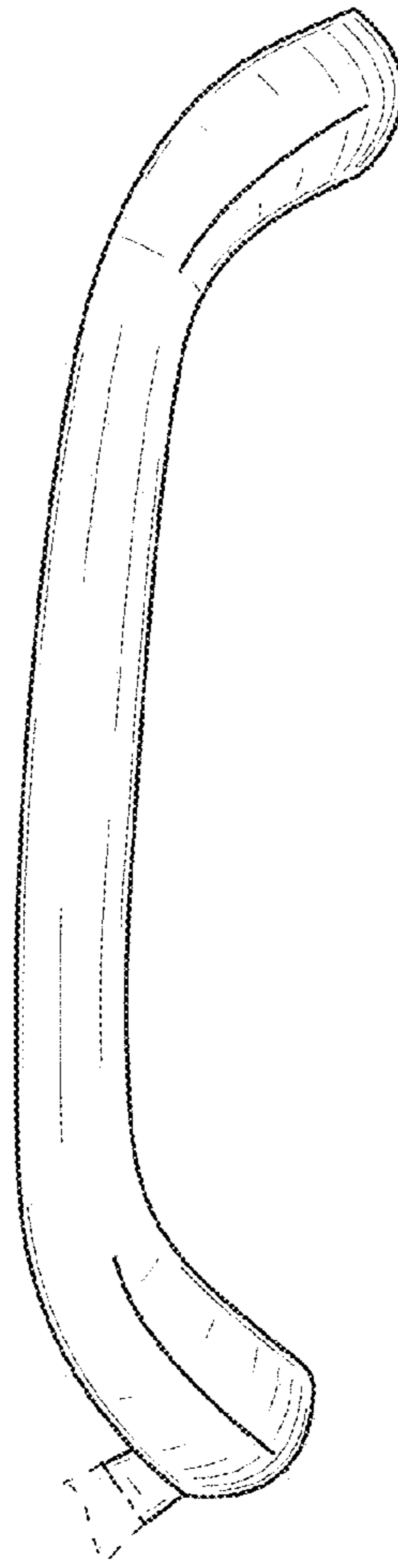


FIG. 5

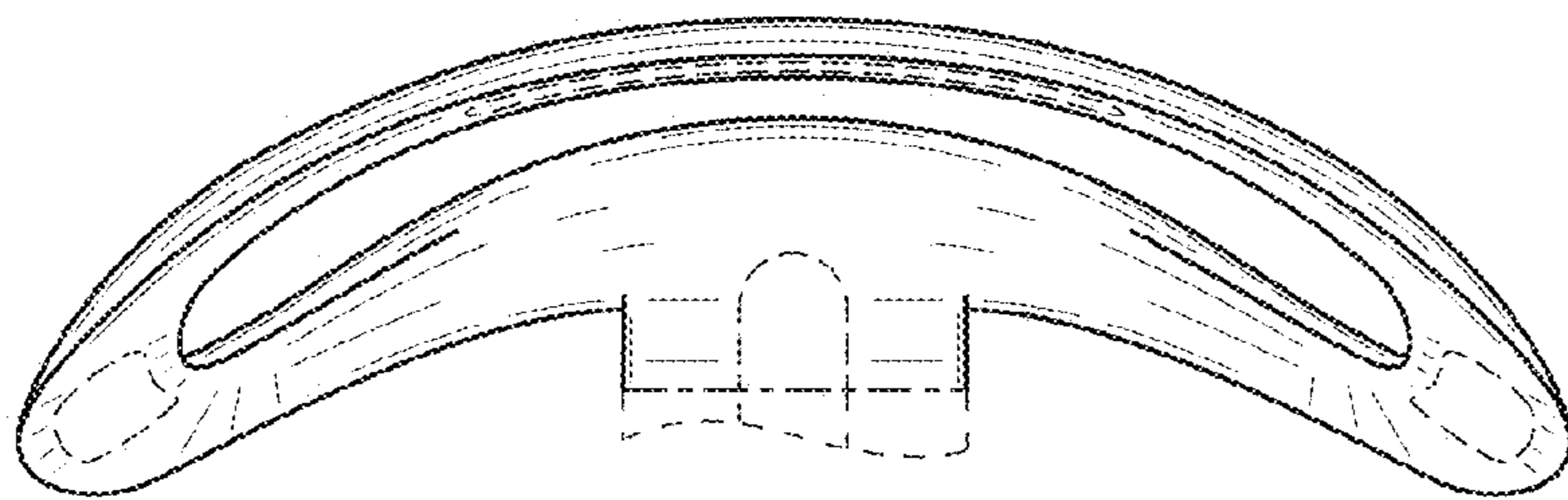


FIG. 6

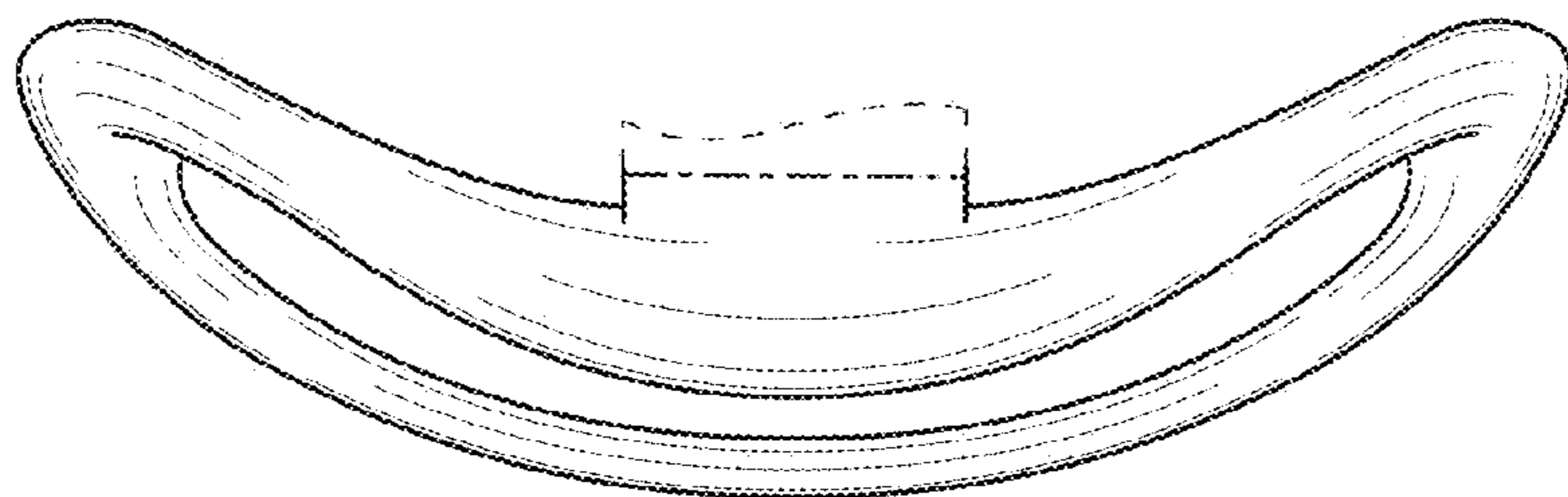


FIG. 7