



US00D985774S

(12) **United States Design Patent**  
**Avirovikj et al.**

(10) **Patent No.:** **US D985,774 S**

(45) **Date of Patent:** **\*\* May 9, 2023**

(54) **AANALYTE MONITORING DEVICE**

(71) Applicant: **Ascensia Diabetes Care Holdings AG**,  
Basel (CH)

(72) Inventors: **Dragan Avirovikj**, Stamford, CT (US);  
**Jon Taylor**, Groton, MA (US)

(73) Assignee: **Ascensia Diabetes Care Holdings AG**,  
Basel (CH)

(\*\*) Term: **15 Years**

(21) Appl. No.: **29/776,511**

(22) Filed: **Mar. 30, 2021**

(51) **LOC (14) Cl.** ..... **24-02**

(52) **U.S. Cl.**  
USPC ..... **D24/169**

(58) **Field of Classification Search**  
USPC ..... D24/107, 164–169, 185–187, 112, 114,  
D24/216, 111; D10/98, 75, 70, 30, 32,  
D10/38, 81; D14/344, 341  
CPC ..... A61B 5/0404; A61B 5/021; A61B 5/024;  
A61B 5/02438; A61B 5/681; A61B  
5/0402; A61B 5/0205; A61B 5/0247;  
A61B 5/14552; A61B 5/6626; A61B  
5/6638; A61B 5/0011; A61B 5/050022;  
A61B 5/02411; A61B 5/0444; A61B  
5/0448; A61B 5/4356; A61B 5/4362;  
A61B 5/6833; A61B 5/14503; A61B  
5/14532; A61B 5/14865; A61B  
2560/0412; A61B 2560/0443; A61B  
2560/0462; A61B 25/0206; A61B  
25/0631; A61M 25/0606; A61M 25/0631;  
G01N 33/66

See application file for complete search history.

(56) **References Cited**

**U.S. PATENT DOCUMENTS**

D327,325 S \* 6/1992 Strand ..... D24/168  
D568,479 S \* 5/2008 Mao ..... D24/168  
D587,375 S \* 2/2009 Mao ..... D24/168

D627,670 S \* 11/2010 Gonzales ..... D10/106.5  
D639,437 S \* 6/2011 Bishay ..... D24/167  
D643,929 S \* 8/2011 DelloStritto ..... D24/165  
D665,085 S \* 8/2012 Strother ..... D24/187

(Continued)

**FOREIGN PATENT DOCUMENTS**

JP D1618648 S 11/2018  
JP D1620921 S 12/2019  
TW D210402 S 3/2021

**OTHER PUBLICATIONS**

Taiwanese Patent Application No. 110305184, Notice of Allowance,  
dated Jul. 30, 2022.

*Primary Examiner* — T Chase Nelson

*Assistant Examiner* — Kelly L Gross

(74) *Attorney, Agent, or Firm* — Erise IP, P.A.

(57) **CLAIM**

The ornamental design for an analyte monitoring device, as  
shown and described.

**DESCRIPTION**

FIG. 1 is a top perspective view of an analyte monitoring  
device, showing our new design.

FIG. 2 is a bottom perspective view thereof.

FIG. 3 is a top plan view thereof.

FIG. 4 is a bottom plan view thereof.

FIG. 5 is a right-side elevational view thereof. The left-side  
elevational view is a mirror image thereof.

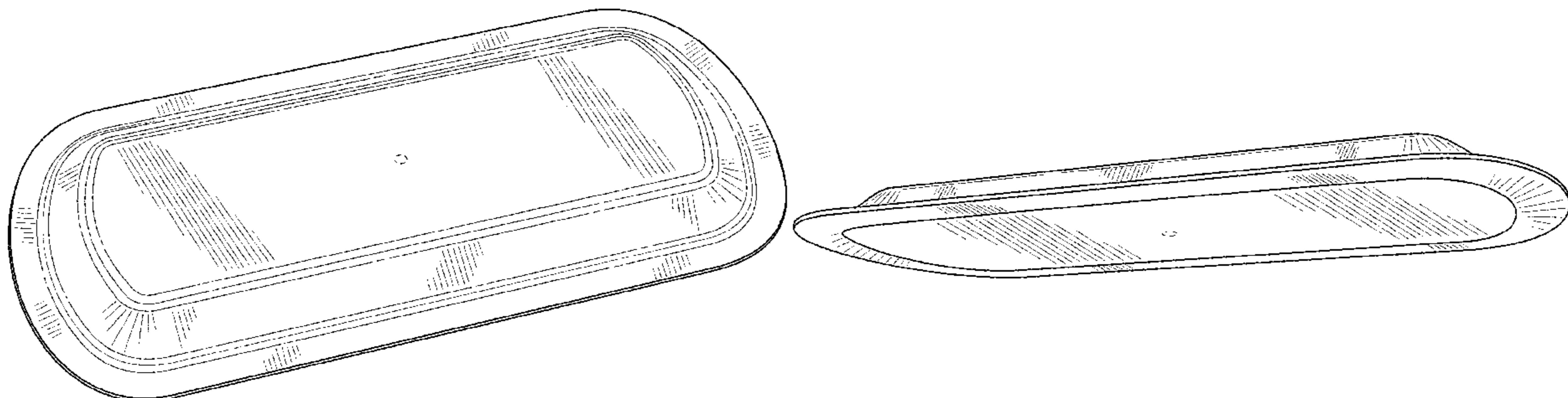
FIG. 6 is a front elevational view thereof. The rear eleva-  
tional view is identical.

FIG. 7 is a bottom perspective view thereof with unclaimed  
features removed; and,

FIG. 8 is a bottom plan view thereof with the unclaimed  
features removed.

The broken lines in the drawings illustrate portions of the  
analyte monitoring device that form no part of the claimed  
design.

**1 Claim, 3 Drawing Sheets**



(56)

References Cited

U.S. PATENT DOCUMENTS

D699,853 S \* 2/2014 Confield ..... D24/169  
 D701,964 S \* 4/2014 Yoneta ..... D24/187  
 D709,197 S \* 7/2014 Ganske ..... A61B 17/1325  
 D715,446 S \* 10/2014 Lee ..... D24/167  
 D719,267 S \* 12/2014 Vaccarella ..... D24/187  
 D729,939 S \* 5/2015 Moon ..... D24/169  
 D733,596 S \* 7/2015 Goodner ..... D10/70  
 D736,107 S \* 8/2015 Lee ..... D10/70  
 D741,492 S \* 10/2015 Formica ..... D24/164  
 D755,786 S \* 5/2016 Lapetina ..... D14/344  
 D757,275 S \* 5/2016 Lee ..... D24/187  
 D764,060 S \* 8/2016 Singh ..... D24/167  
 D771,824 S \* 11/2016 Minoli ..... D10/70  
 D777,331 S \* 1/2017 Jayalath ..... D14/344  
 D783,170 S \* 4/2017 Carreon ..... D24/167  
 D787,066 S \* 5/2017 Kim ..... D10/97  
 D794,801 S \* 8/2017 Newhouse ..... D24/169  
 D798,170 S \* 9/2017 Toth ..... D10/70  
 D814,463 S \* 4/2018 Haigh ..... D24/169  
 D815,289 S \* 4/2018 Evers ..... D24/169  
 D826,396 S \* 8/2018 Stonecipher ..... D24/112  
 D826,752 S \* 8/2018 Lee ..... D10/81  
 D827,837 S \* 9/2018 Pascal ..... D24/186  
 D831,831 S \* 10/2018 Newhouse ..... D24/169  
 D842,996 S \* 3/2019 Frick ..... D24/169  
 D852,190 S \* 6/2019 Haigh ..... D14/240  
 D852,965 S \* 7/2019 Bahney ..... A61B 5/6833  
 D854,162 S \* 7/2019 Rihu ..... D24/167  
 D855,191 S \* 7/2019 Hong ..... D24/186  
 D870,291 S \* 12/2019 Barry ..... D24/169  
 D877,892 S \* 3/2020 Stonecipher ..... A61B 5/150847  
 D882,432 S \* 4/2020 Yee ..... A61B 5/02055  
 D882,800 S \* 4/2020 Lee ..... D24/169  
 D884,521 S \* 5/2020 Mou ..... D10/81  
 D886,303 S \* 6/2020 Huang ..... D24/187  
 D891,622 S \* 7/2020 Ye ..... D24/167  
 D893,729 S \* 8/2020 Joda ..... D24/167  
 D896,391 S \* 9/2020 Moriguchi ..... D10/70  
 D902,408 S \* 11/2020 Funderburk ..... D24/169  
 D910,195 S \* 2/2021 Upsdell

D914,218 S \* 3/2021 Govari ..... D24/186  
 D914,219 S \* 3/2021 Huang ..... D24/187  
 D914,881 S \* 3/2021 Funderburk ..... D24/169  
 D915,602 S \* 4/2021 Pace ..... A61B 5/145  
 D919,094 S \* 5/2021 Al-Ali ..... D24/165  
 D926,325 S \* 7/2021 Barry ..... D24/169  
 D926,326 S \* 7/2021 Terry ..... D24/169  
 D929,879 S \* 9/2021 Paschke ..... D10/70  
 D931,467 S \* 9/2021 Golda ..... D24/186  
 D933,232 S \* 10/2021 Al-Ali ..... D24/165  
 D933,236 S \* 10/2021 Inoue ..... D24/168  
 D937,424 S \* 11/2021 Vardi ..... D24/186  
 D937,426 S \* 11/2021 Cordle ..... D24/187  
 D940,332 S \* 1/2022 Weichert ..... D24/186  
 D940,333 S \* 1/2022 Weichert ..... D24/186  
 D940,335 S \* 1/2022 Weichert ..... D24/186  
 D940,881 S \* 1/2022 Hadley ..... D24/186  
 D941,474 S \* 1/2022 Lam ..... A61B 5/0008  
 D942,448 S \* 2/2022 Hamre ..... D24/186  
 D948,722 S \* 4/2022 Donnay ..... A61B 5/150511  
 D948,728 S \* 4/2022 Park ..... D24/186  
 D949,343 S \* 4/2022 Wang ..... D24/169  
 D956,217 S \* 6/2022 Jeon ..... D24/117  
 D971,415 S \* 11/2022 Treen ..... D24/187  
 D971,416 S \* 11/2022 Choate ..... A61M 5/14248  
 D971,853 S \* 12/2022 Knight ..... D24/167  
 2016/0120434 A1 \* 5/2016 Park ..... G16H 50/30  
 2017/0296054 A1 \* 10/2017 Goldstein ..... A61B 5/0008  
 2018/0256061 A1 \* 9/2018 Landgraf ..... A61B 5/6898  
 2019/0000427 A1 \* 1/2019 Findlay ..... A61B 5/1477  
 2019/0142625 A1 \* 5/2019 Goff ..... A61B 5/6833  
 2020/0375514 A1 \* 12/2020 Huang ..... A61B 5/14865  
 2021/0030325 A1 \* 2/2021 Huang ..... A61B 5/6832  
 2021/0113099 A1 \* 4/2021 Rogers ..... A61B 5/4803  
 2021/0137423 A1 \* 5/2021 Chae ..... A61B 5/150847  
 2021/0259560 A1 \* 8/2021 Venkatraman ..... G16H 40/63  
 2021/0345887 A1 \* 11/2021 Bean ..... A61B 5/02055  
 2022/0031244 A1 \* 2/2022 Windmiller ..... A61B 5/685  
 2022/0133184 A1 \* 5/2022 Garai ..... A61B 5/14532  
 600/365

\* cited by examiner

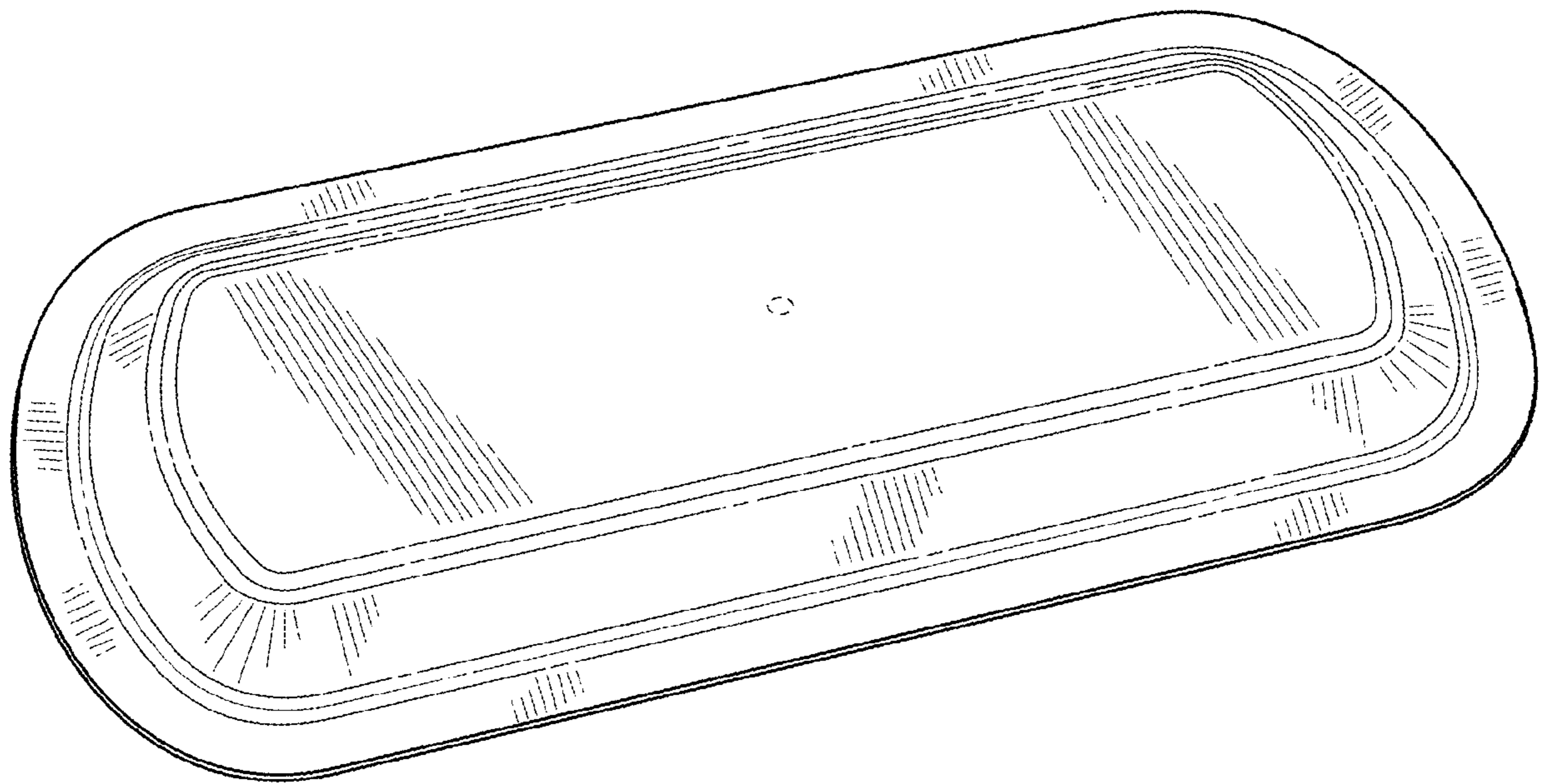


FIG. 1

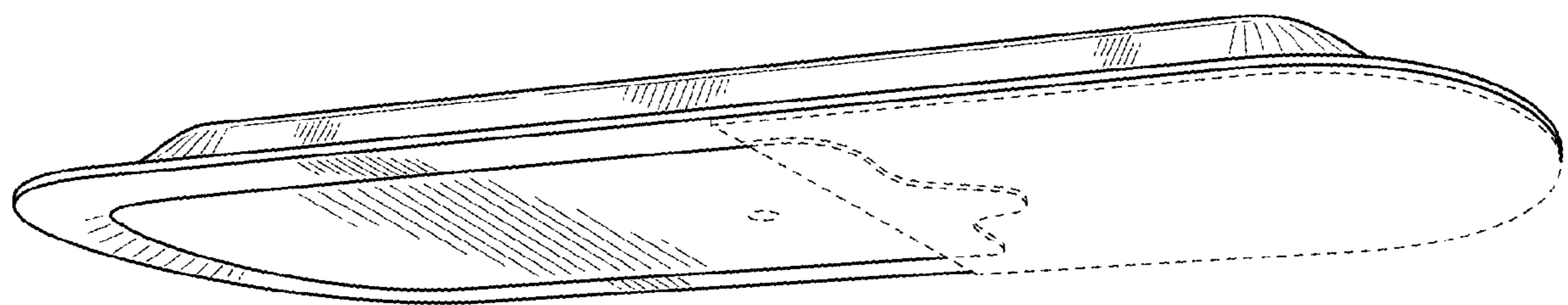


FIG. 2

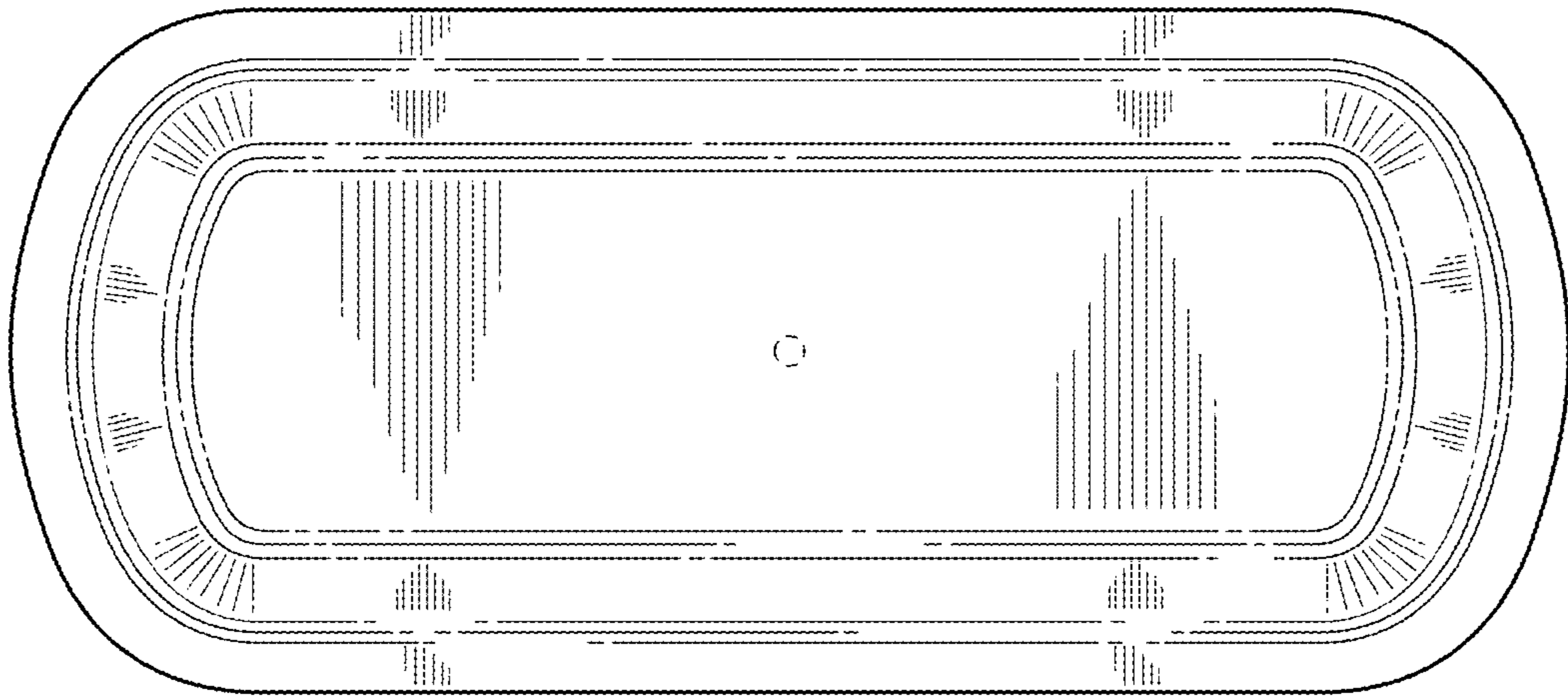


FIG. 3

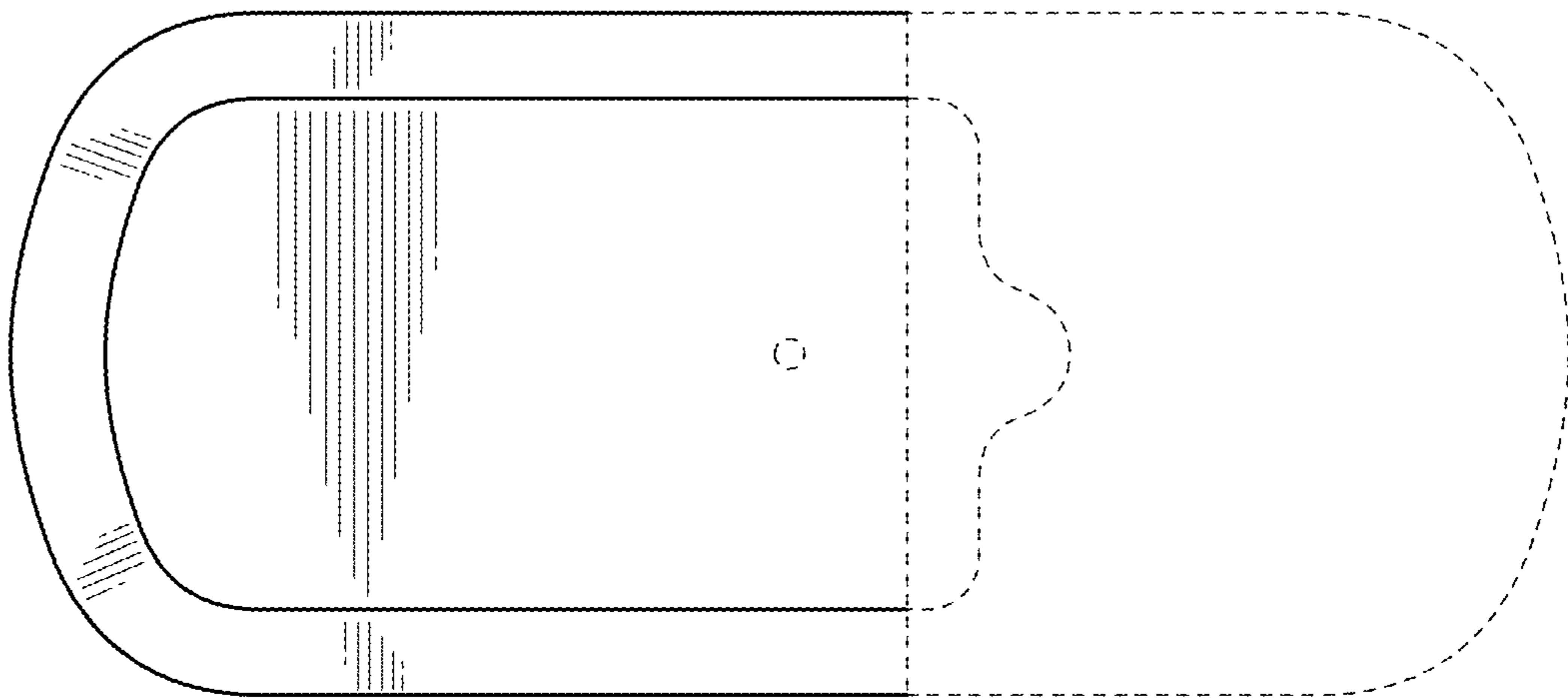


FIG. 4

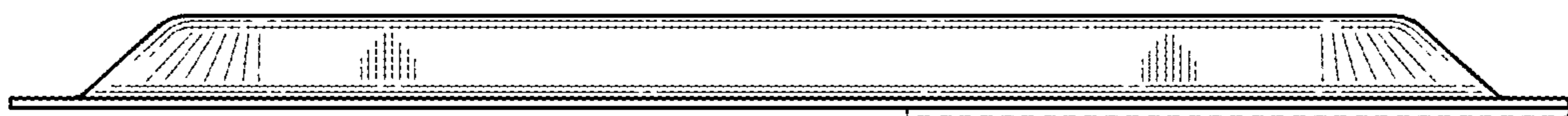


FIG. 5

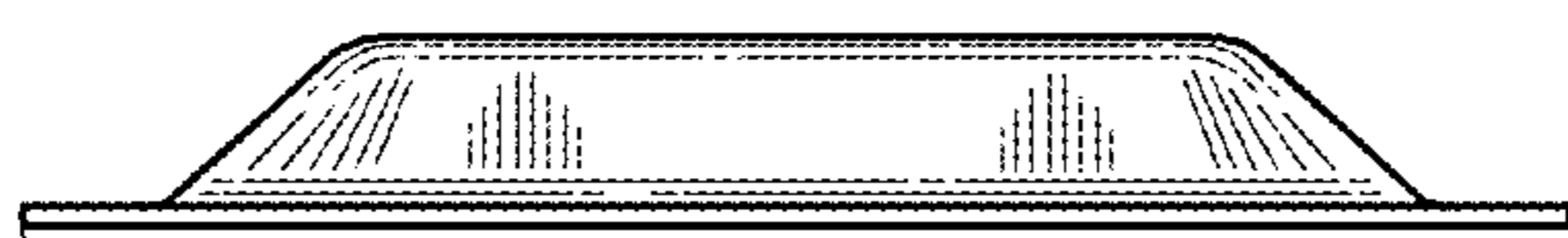


FIG. 6

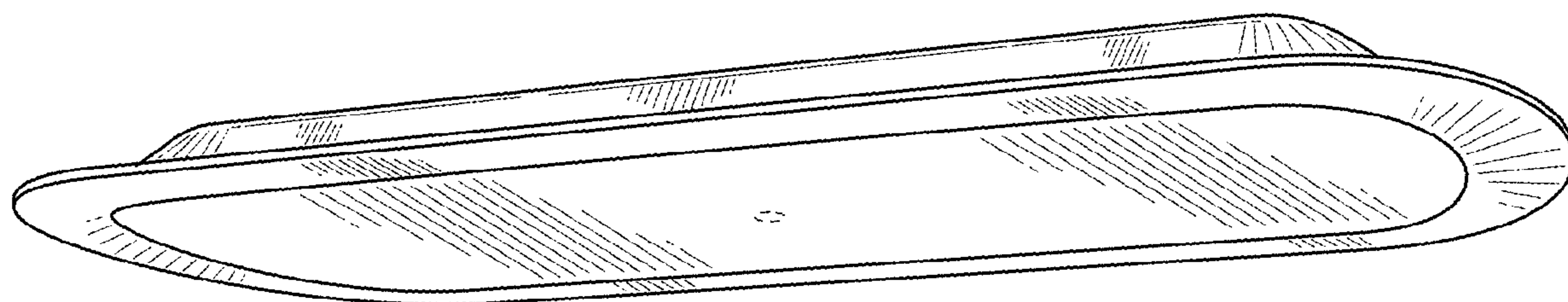


FIG. 7

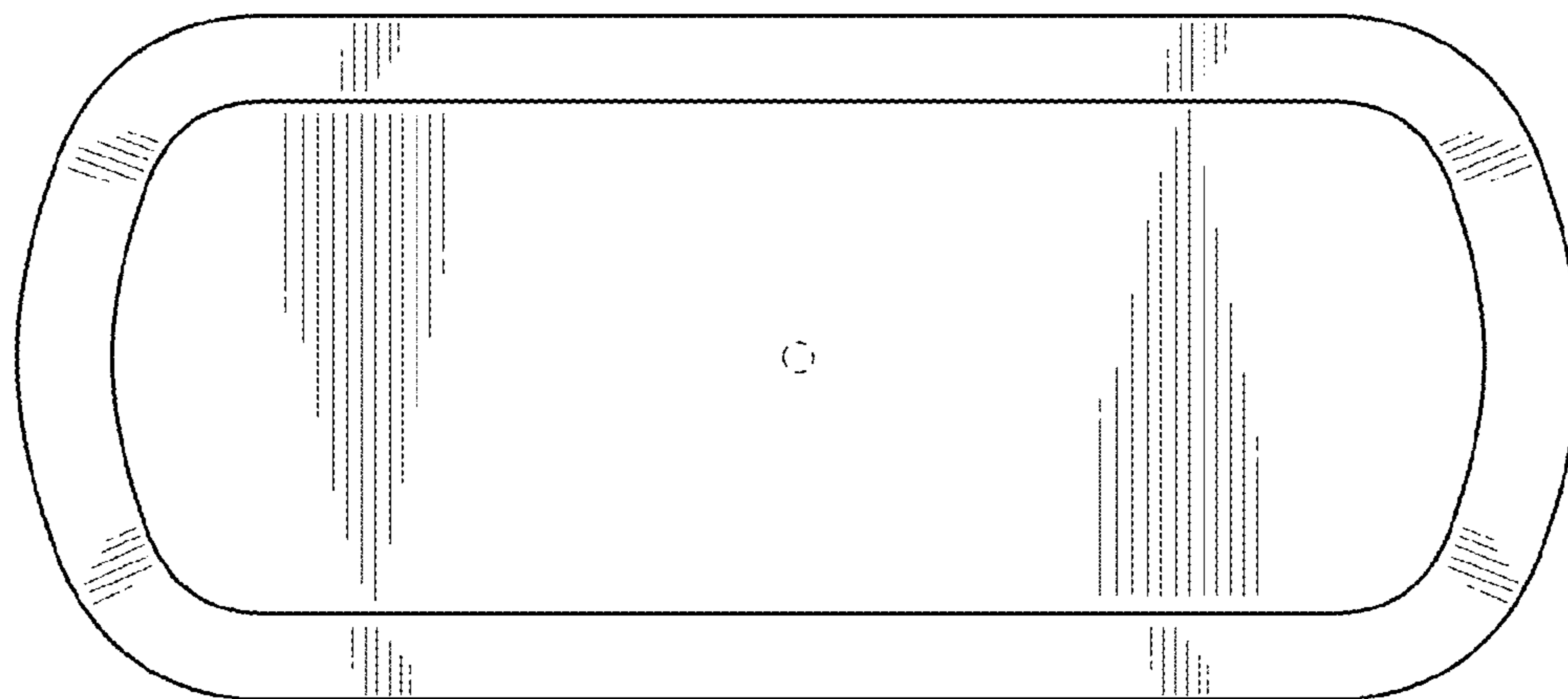


FIG. 8