



US00D985771S

(12) **United States Design Patent** (10) **Patent No.:** **US D985,771 S**
Adler (45) **Date of Patent:** **** May 9, 2023**

- (54) **SUTURE GRASPER TIP**
- (71) Applicant: **Flexbar Machine Corp.**, Islandia, NY (US)
- (72) Inventor: **Daniel Adler**, Oyster Bay, NY (US)
- (73) Assignee: **FLEXBAR MACHINE CORP.**, Islandia, NY (US)
- (**) Term: **15 Years**
- (21) Appl. No.: **29/780,886**
- (22) Filed: **Apr. 27, 2021**
- (51) **LOC (14) Cl.** **24-02**
- (52) **U.S. Cl.**
USPC **D24/145**
- (58) **Field of Classification Search**
USPC D24/127, 133, 144-147
CPC A61B 17/00234; A61B 17/0469; A61B 17/0482; A61B 17/0483; A61B 17/06066; A61B 17/221; A61B 17/2215; A61B 2017/06042
See application file for complete search history.

- 2006/0069407 A1* 3/2006 Weber A61B 17/0483 606/205
- 2013/0245643 A1* 9/2013 Woodard, Jr. A61B 17/0469 606/144
- 2022/0225863 A1* 7/2022 Adler A61B 1/00149

* cited by examiner

Primary Examiner — Wan Laymon

(74) *Attorney, Agent, or Firm* — Tutunjian & Bitetto, P.C.

(57) **CLAIM**

The ornamental design for a suture grasper tip, as shown and described.

DESCRIPTION

FIG. 1 is a perspective view of the suture grasper tip showing my new design;
 FIG. 2 is a right side view thereof, the left side being a mirror image of the right side;
 FIG. 3 is a top view thereof;
 FIG. 4 is a bottom view thereof;
 FIG. 5 is a front view thereof;
 FIG. 6 is a perspective view of the suture grasper tip in a partially extended position;
 FIG. 7 is a right side view thereof, the left side being a mirror image of the right side;
 FIG. 8 is a top view thereof;
 FIG. 9 is a bottom view thereof;
 FIG. 10 is a front view thereof;
 FIG. 11 is a perspective view of the suture gasper tip is a fully extended position;
 FIG. 12 is a right side view thereof, the left side being a mirror image of the right side;
 FIG. 13 is a top view thereof;
 FIG. 14 is a bottom view thereof; and,
 FIG. 15 is a front view thereof.

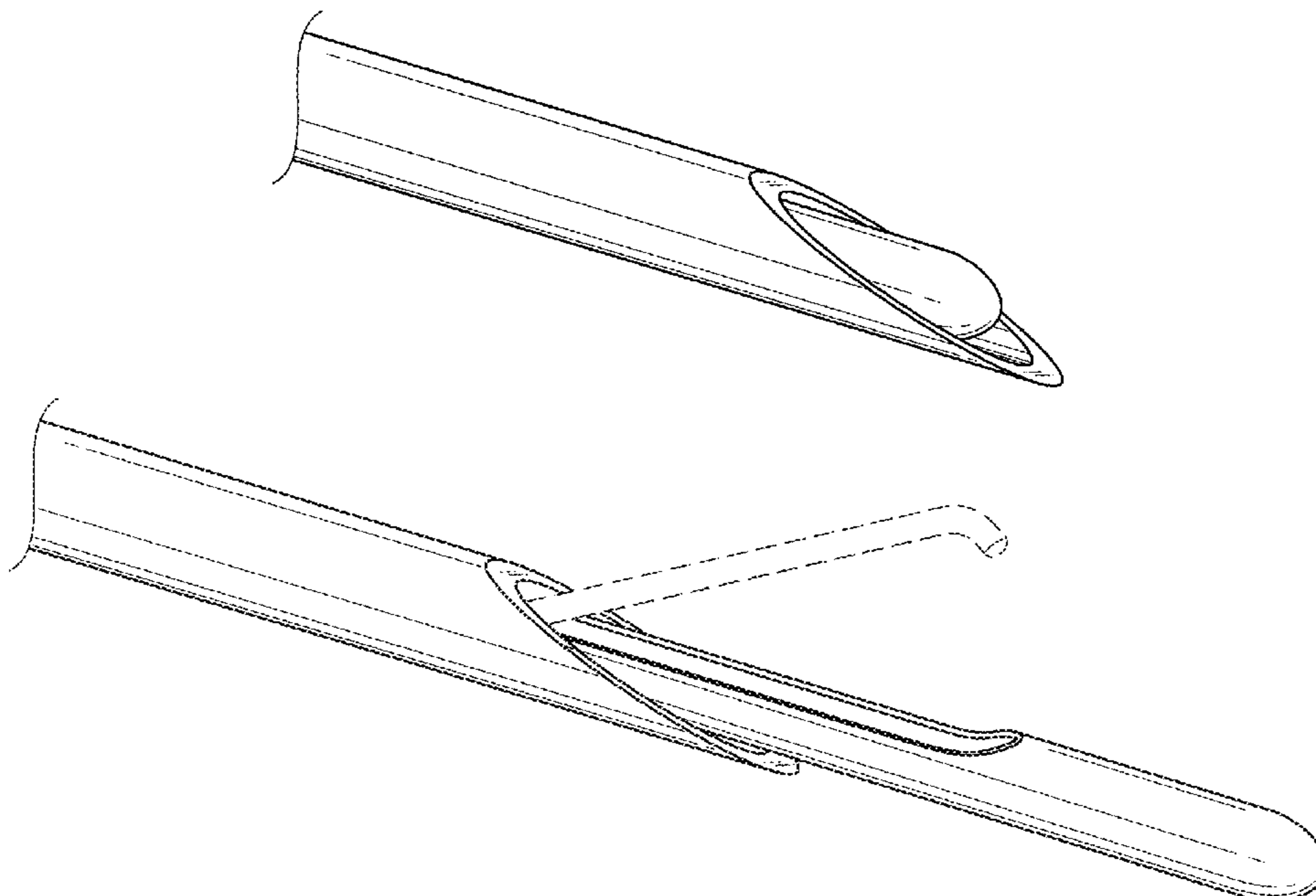
The broken lines in the drawings depict portions of the suture grasper tip and forms no part of the claimed design.

(56) **References Cited**

U.S. PATENT DOCUMENTS

- 5,827,299 A * 10/1998 Thomason A61B 17/06066 606/205
- D715,434 S * 10/2014 Darian D24/144
- 9,936,943 B1 * 4/2018 Mancini A61B 17/0469
- D837,982 S * 1/2019 Adler D24/145
- 11,278,274 B2 * 3/2022 Pisarnwongs A61B 17/0483
- 11,395,649 B2 * 7/2022 Pisarnwongs A61B 17/0483
- 2003/0208185 A1 * 11/2003 Sheffer A61B 17/00234 606/1

1 Claim, 4 Drawing Sheets



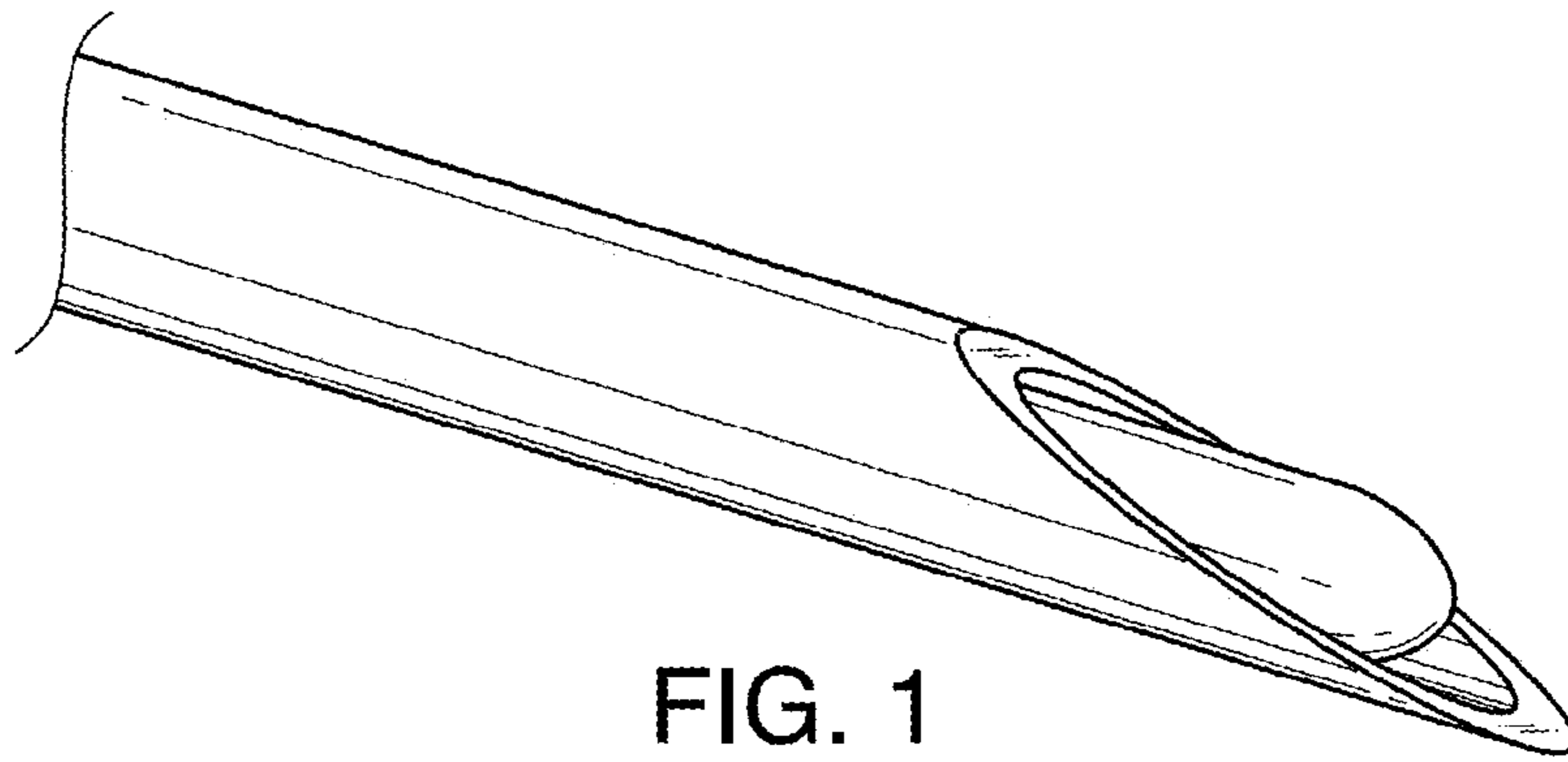


FIG. 1

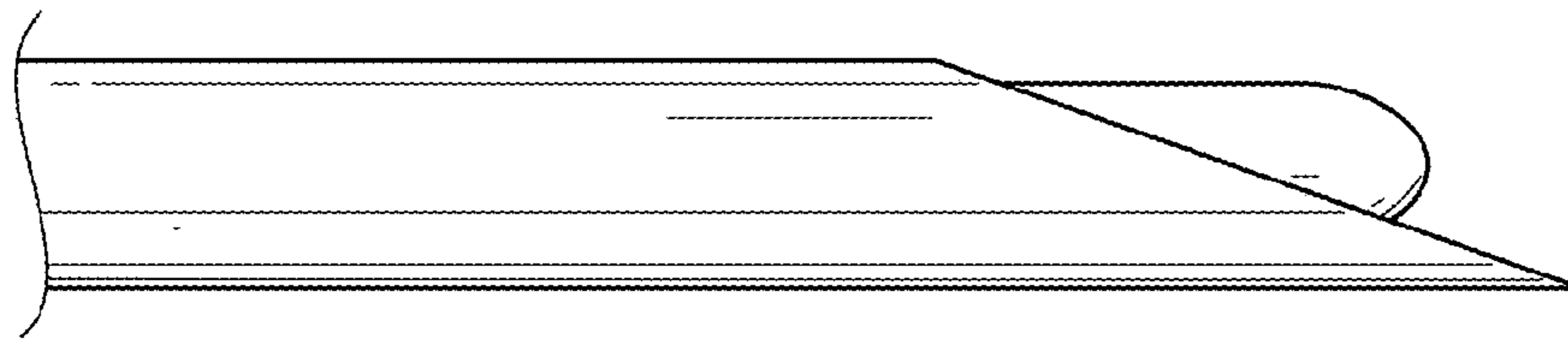


FIG. 2

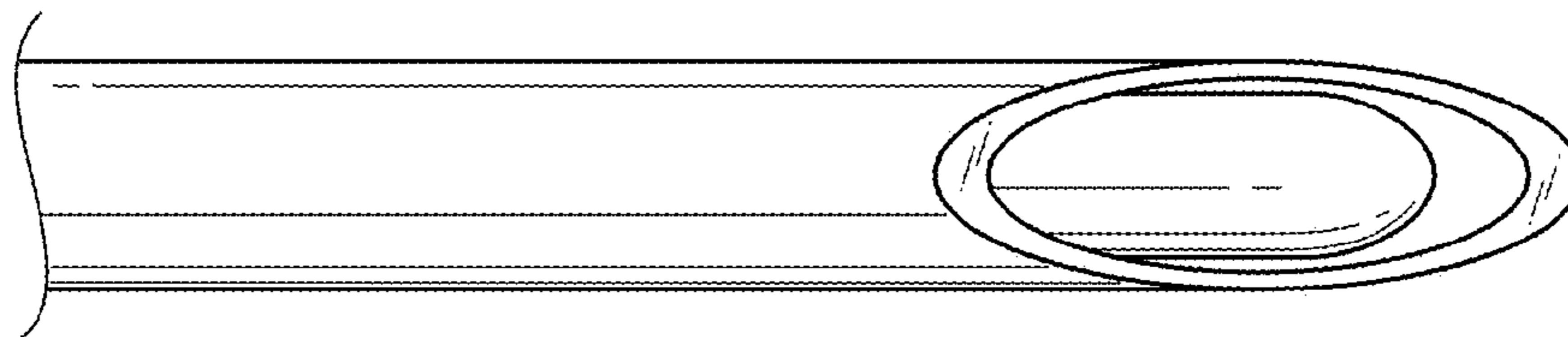


FIG. 3

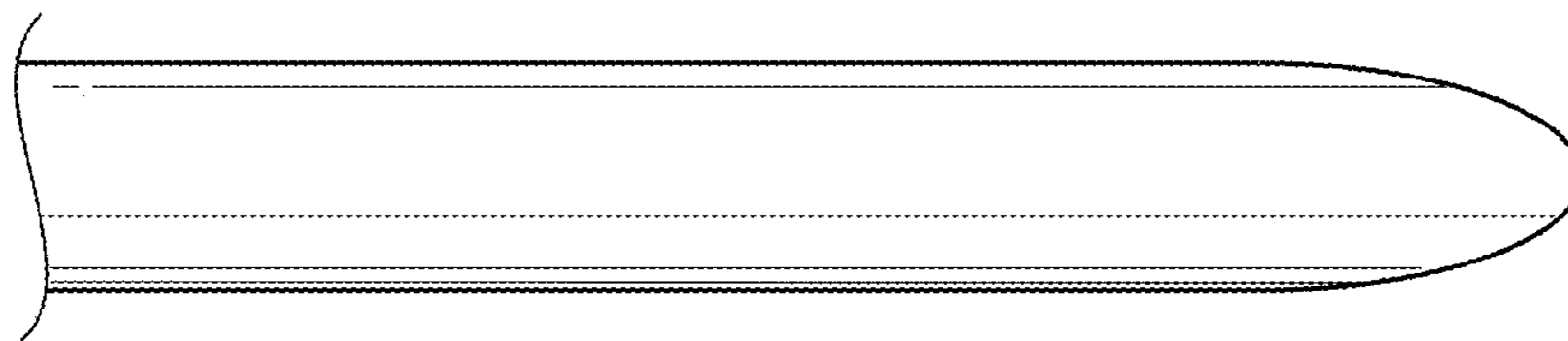


FIG. 4

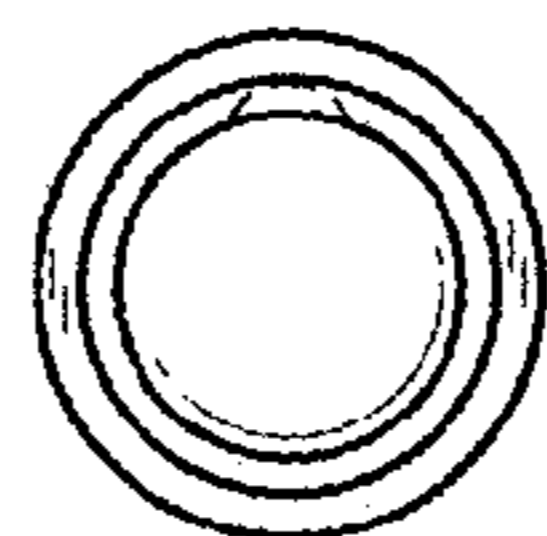


FIG. 5

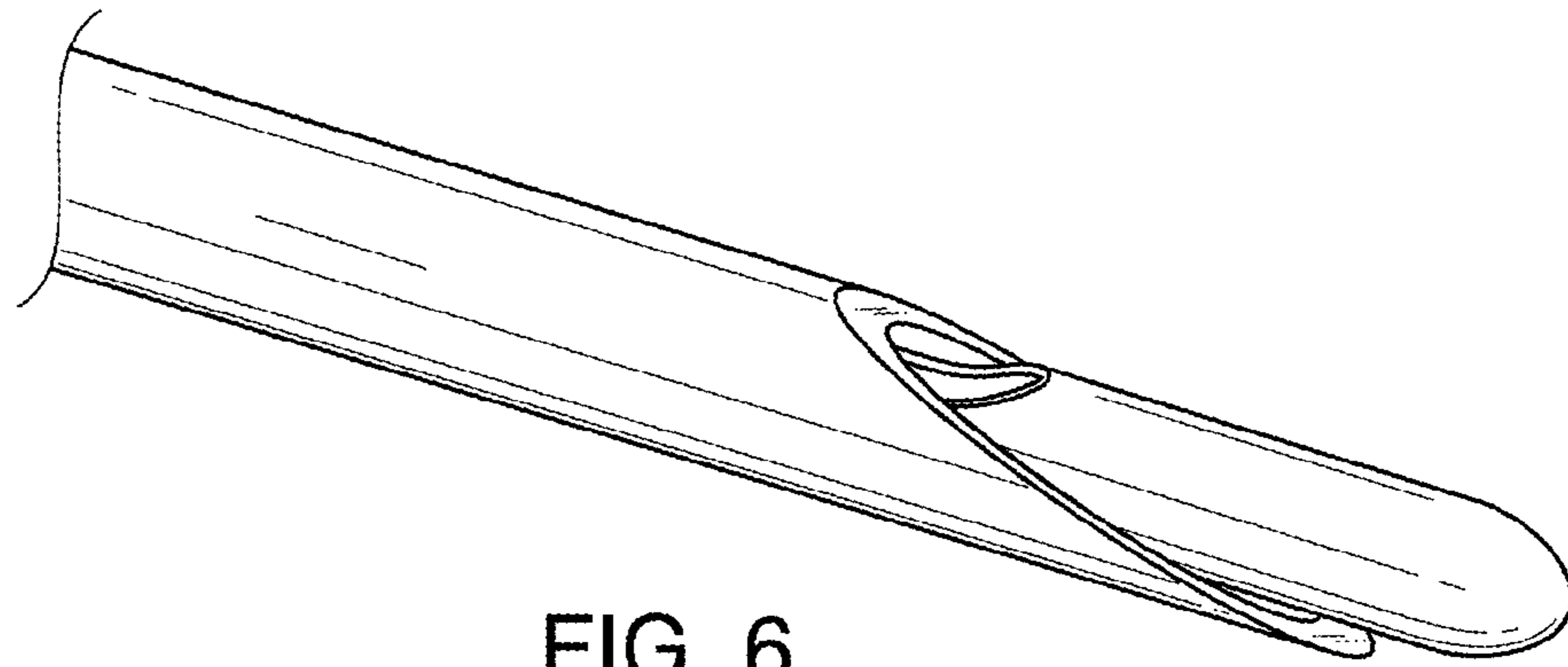


FIG. 6

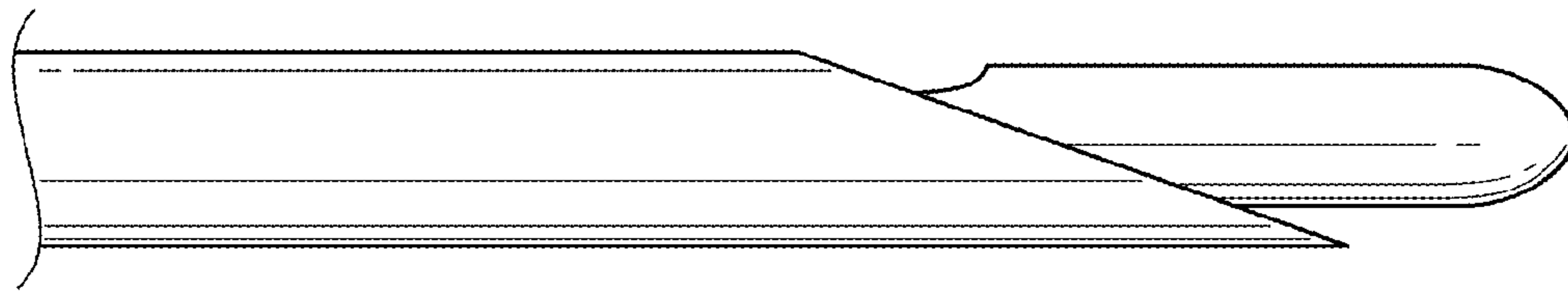


FIG. 7

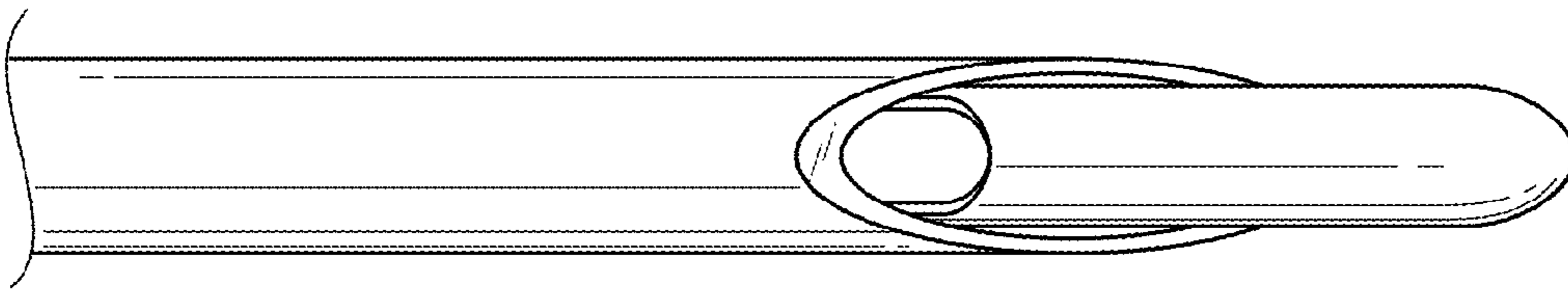


FIG. 8

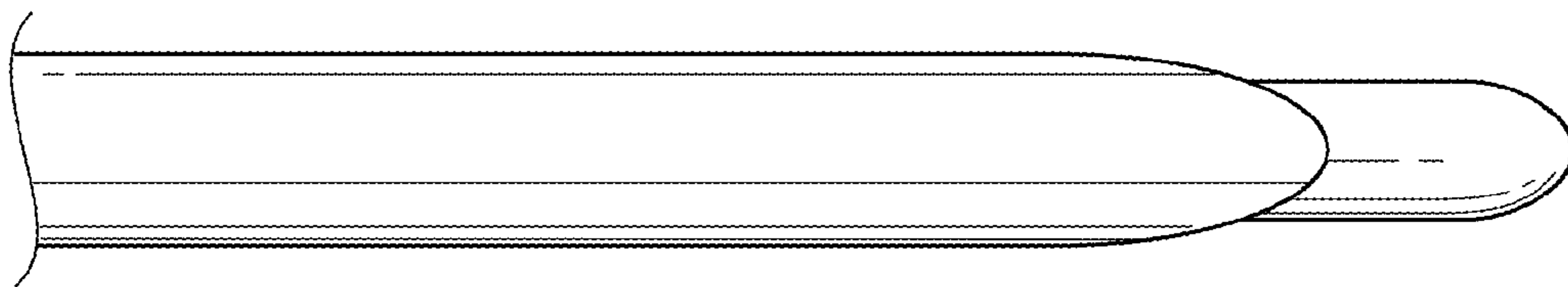


FIG. 9

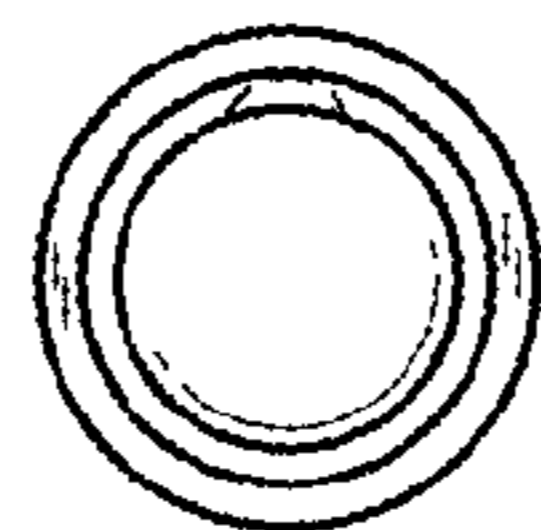


FIG. 10

FIG. 11

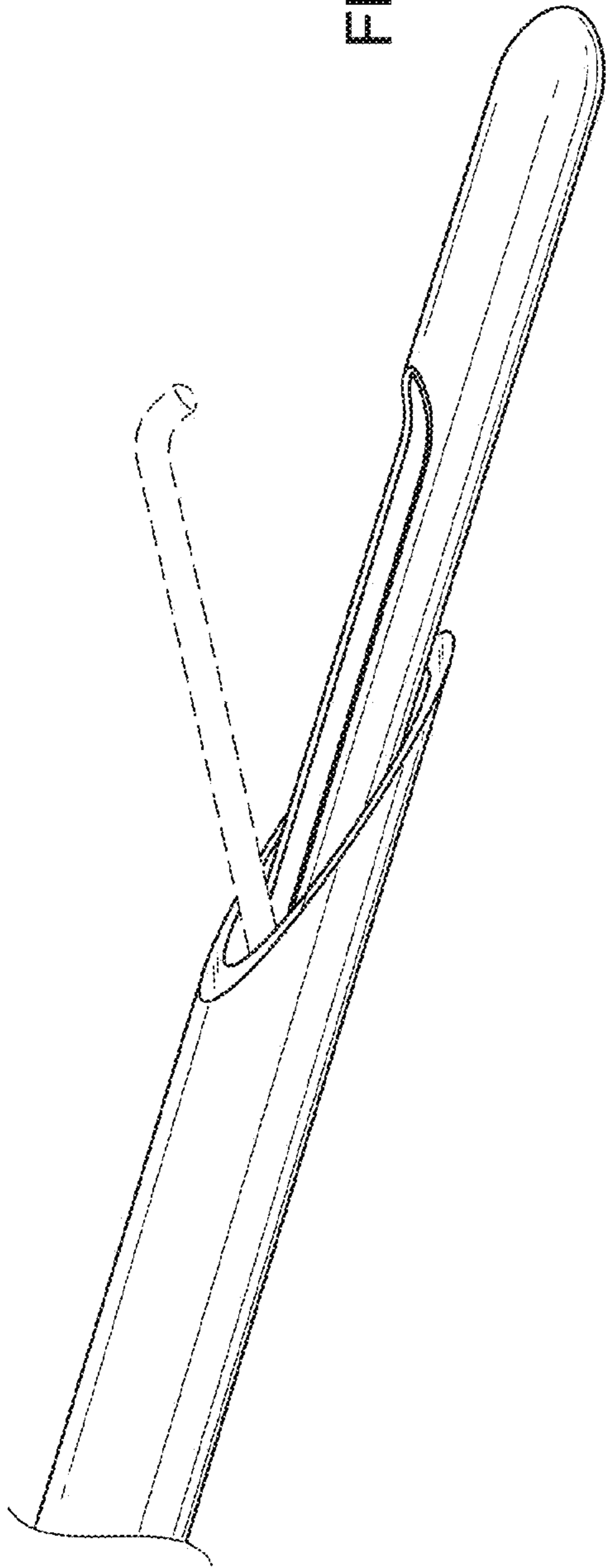


FIG. 12

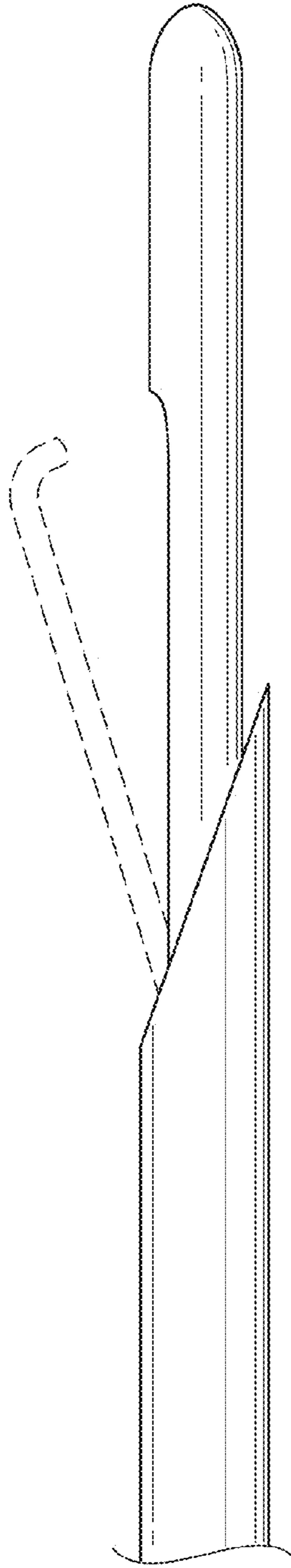
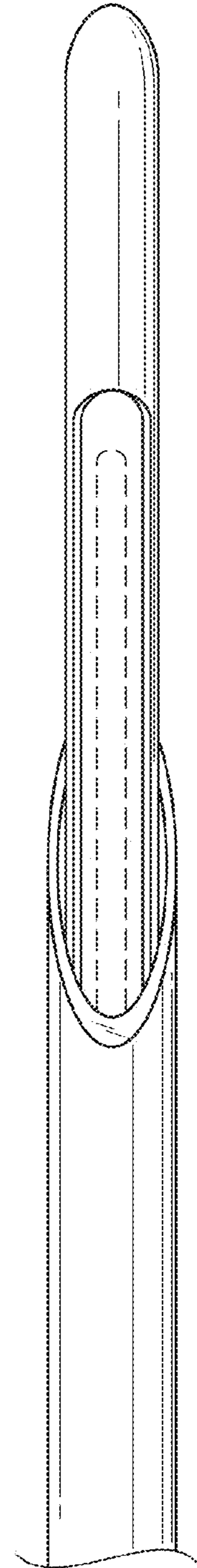


FIG. 13



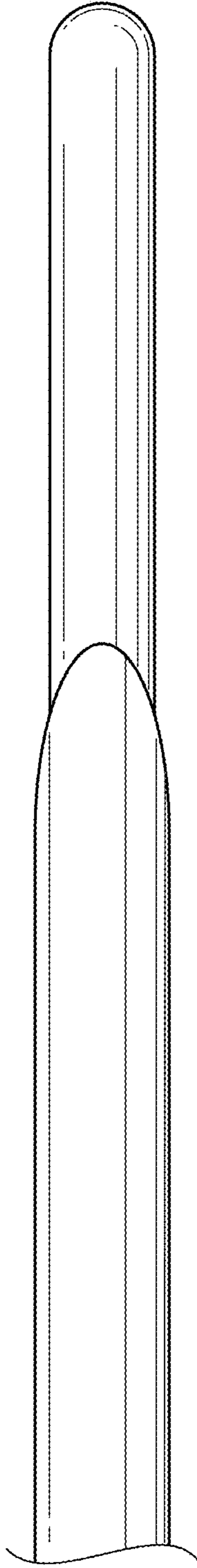


FIG. 14

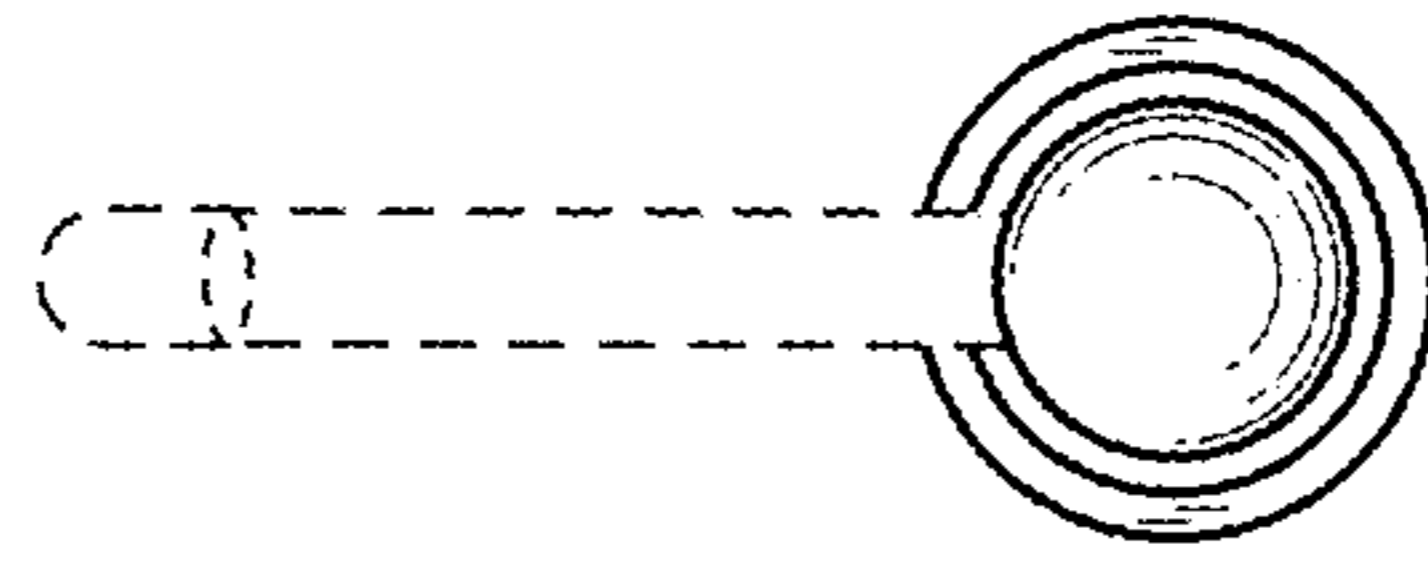


FIG. 15