



US00D985770S

(12) **United States Design Patent**
Ghoniem

(10) **Patent No.:** **US D985,770 S**

(45) **Date of Patent:** **** May 9, 2023**

(54) **DEVICE FOR OVERACTIVE BLADDER**

(71) Applicant: **The Regents of the University of California, Oakland, CA (US)**

(72) Inventor: **Gamal Ghoniem, Aliso Viejo, CA (US)**

(73) Assignee: **The Regents of the University of California, Oakland, CA (US)**

(**) Term: **15 Years**

(21) Appl. No.: **29/764,996**

(22) Filed: **Jan. 5, 2021**

(51) **LOC (14) Cl.** **24-01**

(52) **U.S. Cl.**
USPC **D24/200; D24/144**

(58) **Field of Classification Search**
USPC D24/105, 107, 124, 130, 141, 143, 144,
D24/187, 200
CPC .. A61B 18/1485; A61N 1/00; A61N 1/36014;
A61N 1/36057; A61N 1/0514; A61N
1/3606; A61M 2210/1085
See application file for complete search history.

(56) **References Cited**

U.S. PATENT DOCUMENTS

D267,512 S *	1/1983	Carlsson	D24/200
D299,865 S *	2/1989	Kamstrup-Larsen	D24/130
D320,078 S *	9/1991	Terwilliger	D24/138
D348,934 S *	7/1994	Johnson	D24/187
D360,944 S *	8/1995	Juma	D24/124
D366,528 S *	1/1996	Crouse	D24/187
D371,200 S *	6/1996	Maurer	D24/135
D396,284 S *	7/1998	Schaefer	D24/141
D400,255 S *	10/1998	Myers	D24/186
D406,642 S *	3/1999	Remes	D24/107
D414,582 S *	9/1999	Hwang	D24/215
D447,806 S *	9/2001	Davey	D24/200
D455,488 S *	4/2002	James	D24/105

D459,470 S *	6/2002	James	D24/105
D462,446 S *	9/2002	Felix	D24/187
D494,676 S *	8/2004	Dubniczki	D24/115
D703,825 S *	4/2014	Barrett	D4/114
D726,926 S *	4/2015	Matsushita	D24/200
D737,969 S *	9/2015	Leyendecker	D24/141
9,339,329 B2 *	5/2016	Ghoniem	A61B 18/1477
D760,899 S *	7/2016	Leyendecker	D24/141
D824,028 S *	7/2018	Alinsod	A61N 1/403 D24/144
D831,833 S *	10/2018	Bishay	D24/187
D832,437 S *	10/2018	Zeltwanger	D24/141
D833,009 S *	11/2018	Bollinger	D24/141
D835,286 S *	12/2018	Sebban	D24/187
D836,776 S *	12/2018	Tal	D24/141
D842,482 S *	3/2019	Harada	D24/187
D876,637 S *	2/2020	Moon	D24/187
D896,961 S *	9/2020	Mesa	D24/143

(Continued)

Primary Examiner — Jonathan J Han

Assistant Examiner — Amanda J Berlinski

(74) *Attorney, Agent, or Firm* — Brooks Kushman P.C.

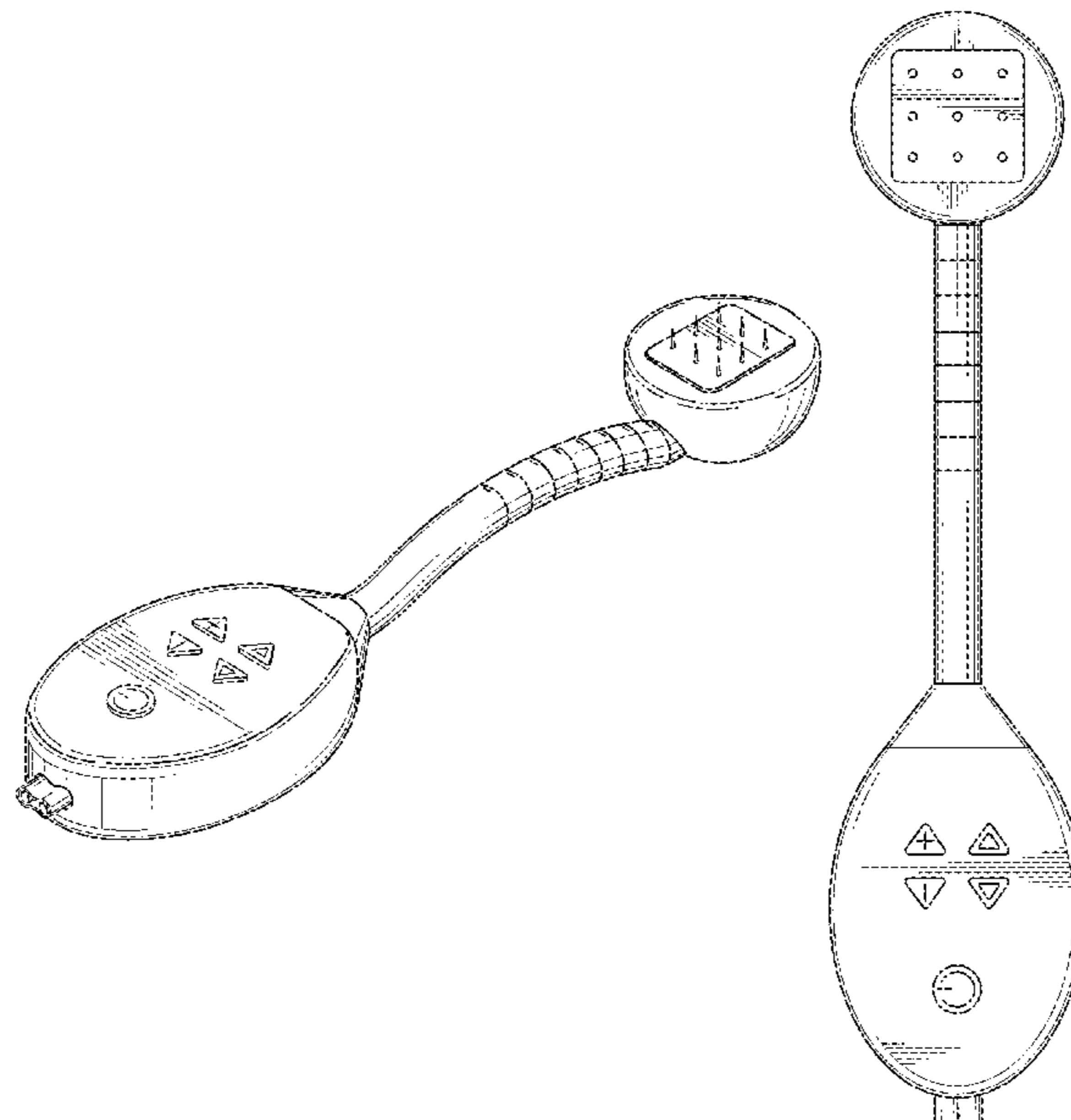
(57) **CLAIM**

The ornamental design for a device for overactive bladder, as shown and described.

DESCRIPTION

FIG. 1 is a right perspective view of a device for overactive bladder of this invention;
FIG. 2 is a top plan view of the device of FIG. 1;
FIG. 3 is a bottom plan view of the device of FIG. 1;
FIG. 4 is a right side elevational view of the device of FIG. 1;
FIG. 5 is a left side elevational view of the device of FIG. 1;
FIG. 6 is a front elevational view of the device of FIG. 1; and,
FIG. 7 is a rear elevational view of the device of FIG. 1.

1 Claim, 4 Drawing Sheets



(56)

References Cited

U.S. PATENT DOCUMENTS

D933,840 S * 10/2021 Hermann D24/200
D934,439 S * 10/2021 McDonough D24/187
D969,327 S * 11/2022 Shacham D24/200
D972,135 S * 12/2022 Ghoniem A61B 18/1485
D24/144
2005/0113877 A1* 5/2005 Spinelli A61N 1/36071
607/46
2014/0081257 A1* 3/2014 Ghoniem A61B 18/1485
606/41
2019/0060676 A1* 2/2019 Ting A61N 7/02

* cited by examiner

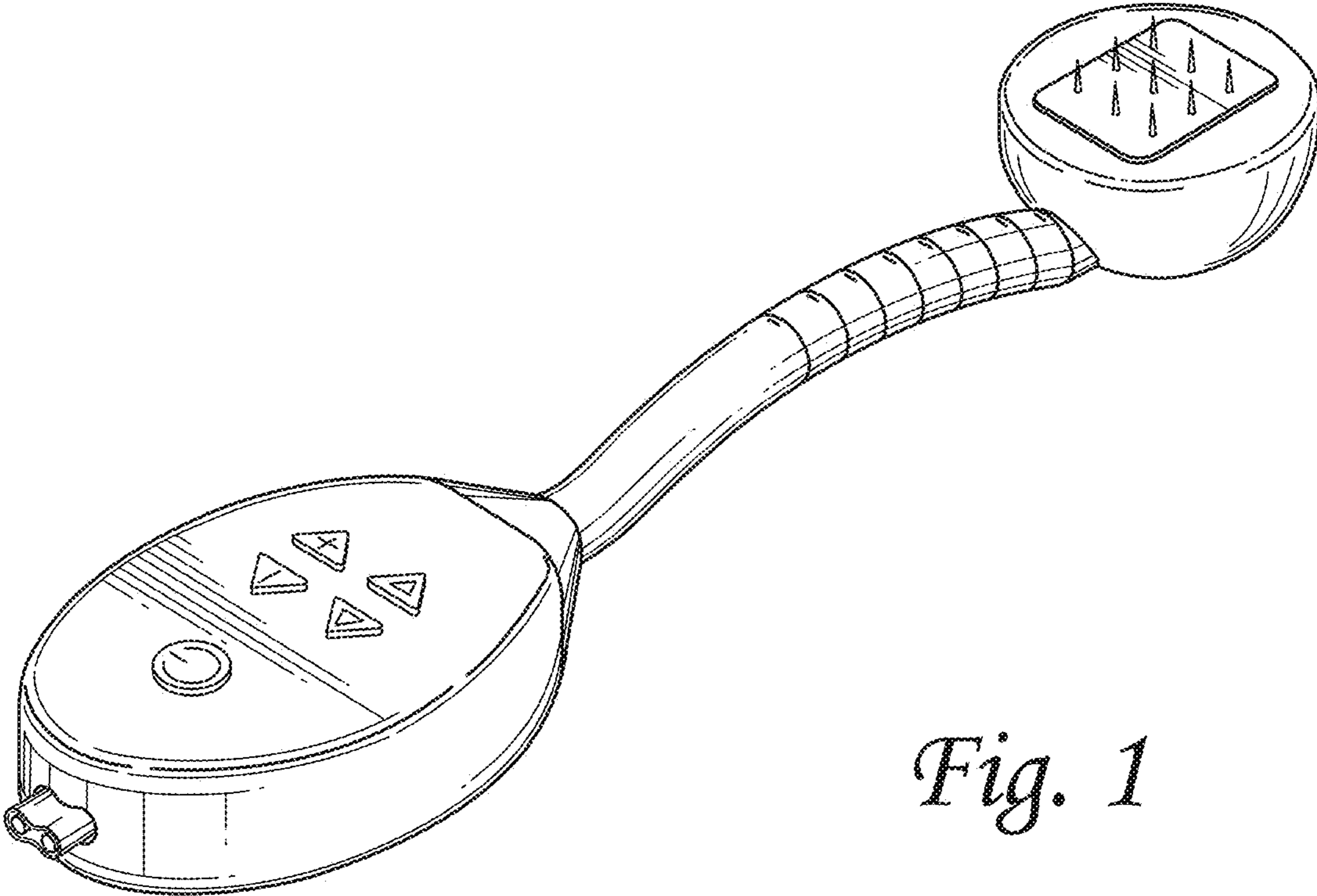


Fig. 1

Fig. 2

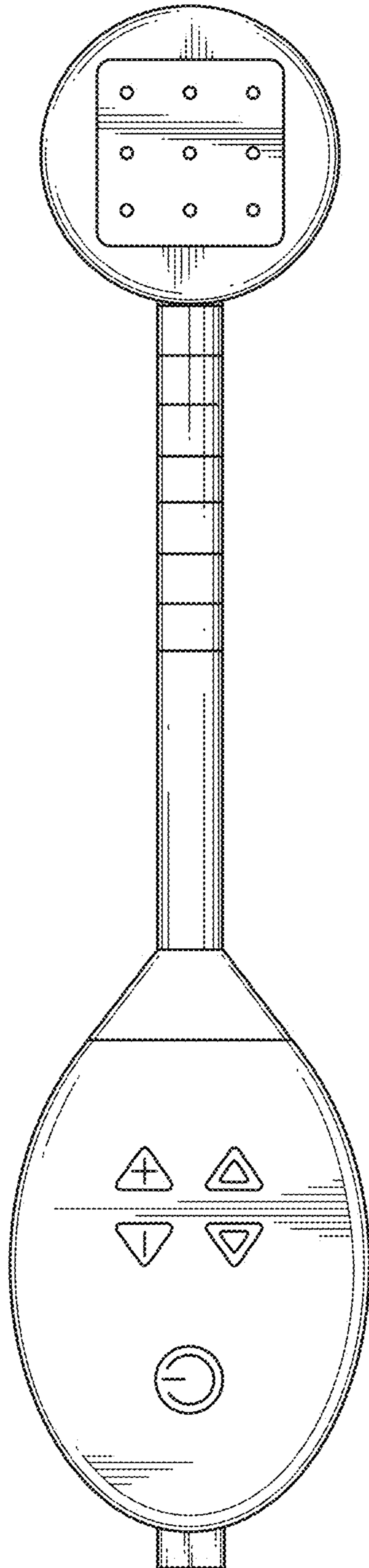


Fig. 3

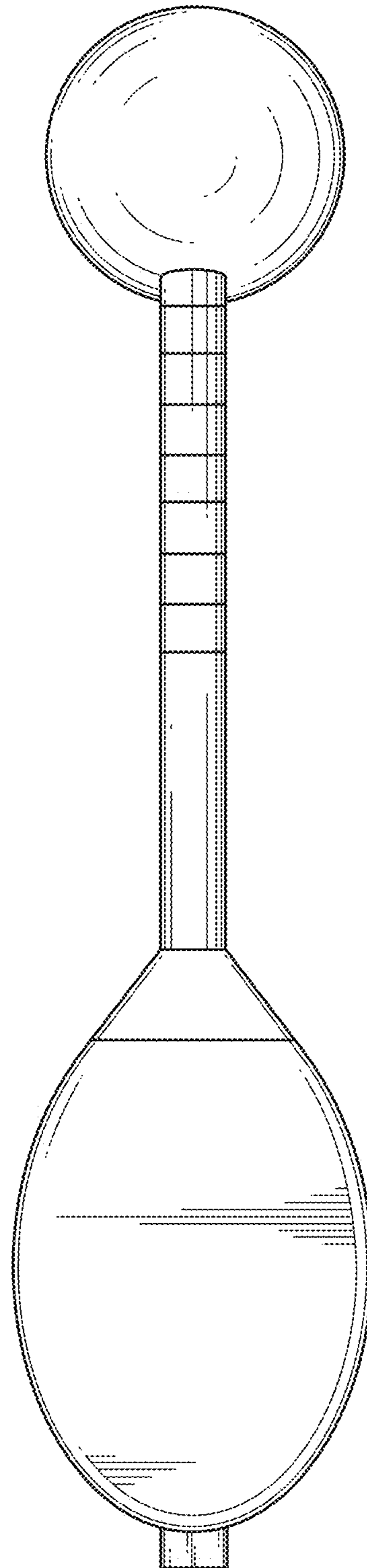


Fig. 4

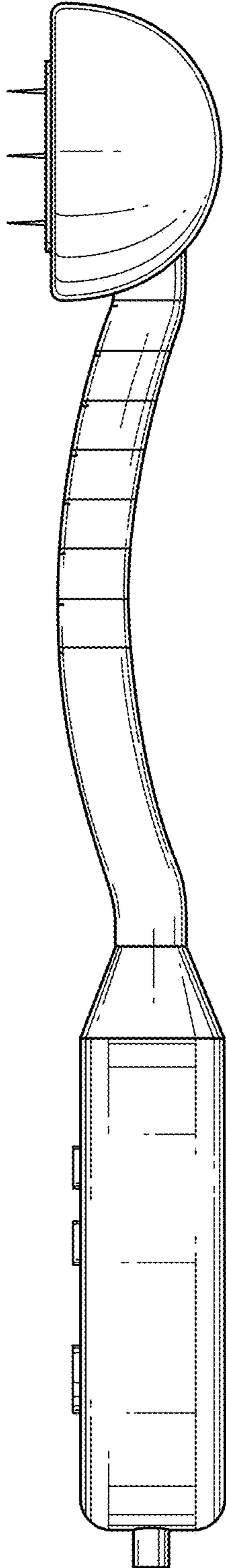
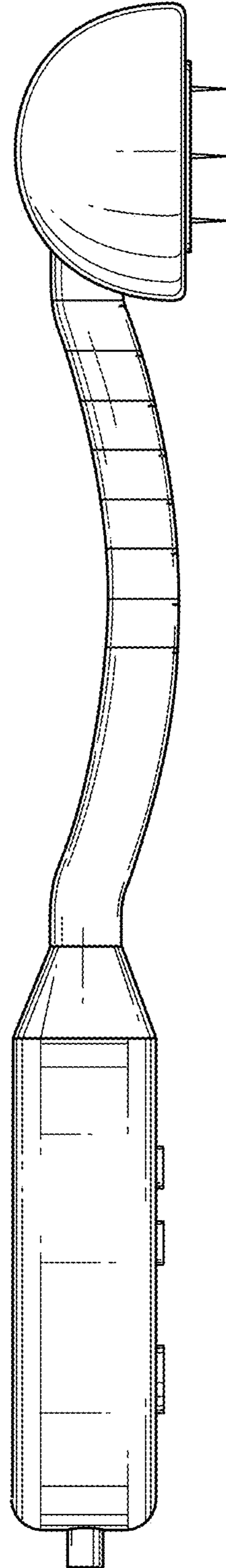


Fig. 5



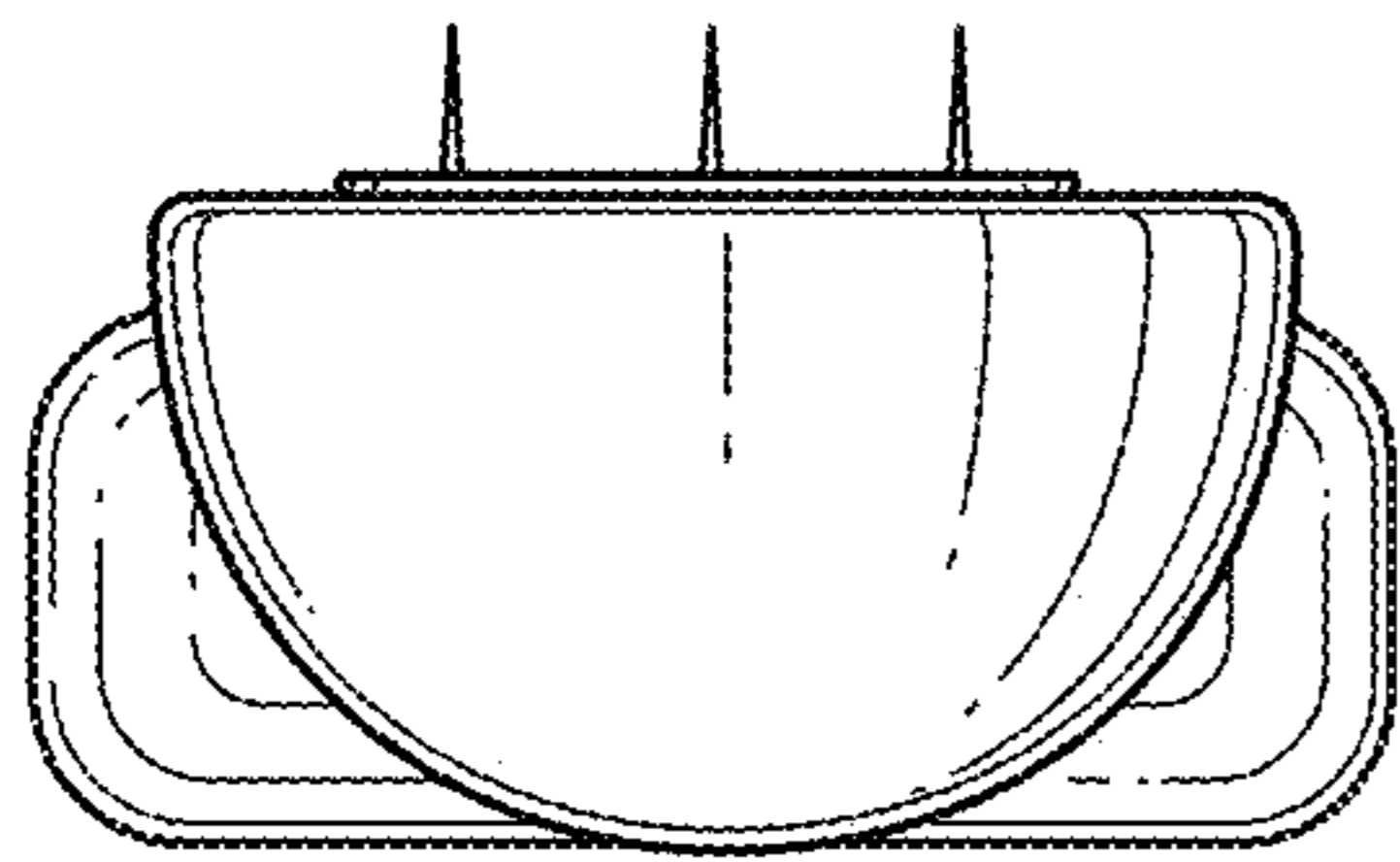


Fig. 6

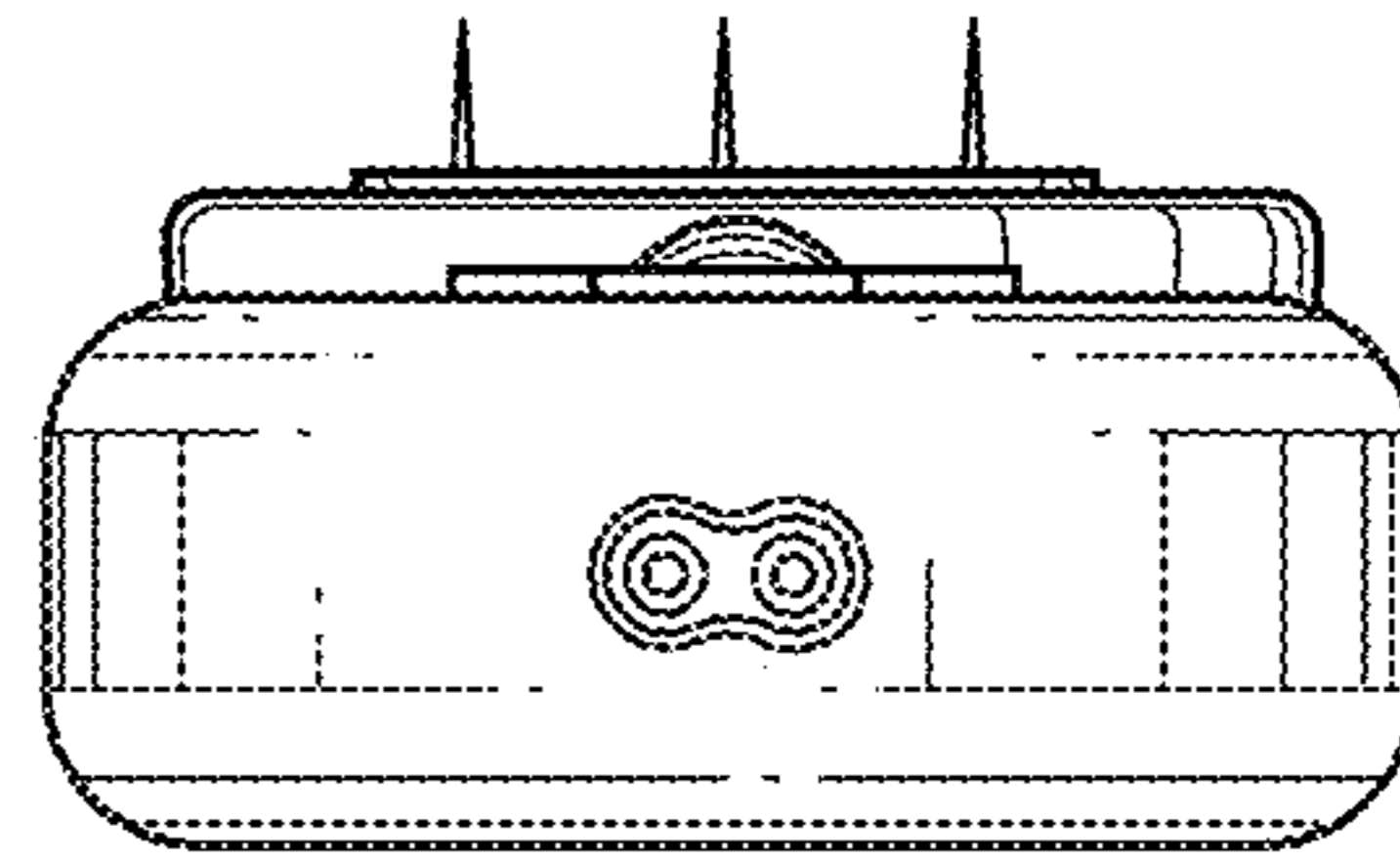


Fig. 7