



US00D985767S

(12) **United States Design Patent**
Buse et al.

(10) **Patent No.:** **US D985,767 S**

(45) **Date of Patent:** **** May 9, 2023**

(54) **FLUID VIAL**
(71) Applicant: **Gen-Probe Incorporated**, San Diego,
CA (US)
(72) Inventors: **David Buse**, San Diego, CA (US);
Byron J. Knight, San Diego, CA (US)
(73) Assignee: **GEN-PROBE INCORPORATED**, San
Diego, CA (US)
(**) Term: **15 Years**

D679,180 S * 4/2013 Logue D9/432
D696,558 S * 12/2013 Song D7/629
D754,630 S * 4/2016 Paterson D14/204
D848,831 S * 5/2019 Mayer B01L 3/523
D9/418
10,322,202 B1 * 6/2019 Gruenbacher B05B 17/04
D880,958 S * 4/2020 Dai D7/629
D881,407 S * 4/2020 Li B03C 1/01
D24/217
D912,269 S * 3/2021 Marran D24/224
D918,381 S * 5/2021 Luong D24/111
D919,364 S * 5/2021 McNamara D7/412
2012/0006712 A1 * 1/2012 Kaplan G09F 3/10
206/459.5

(Continued)

(21) Appl. No.: **29/729,288**
(22) Filed: **Mar. 25, 2020**
(51) **LOC (14) Cl.** **24-04**
(52) **U.S. Cl.**
USPC **D24/121; D24/224**
(58) **Field of Classification Search**
USPC D24/107, 108, 121, 122, 127, 129, 207,
D24/216, 217, 224, 227; D7/602, 612,
D7/629; D9/430, 432, 524, 528, 542;
D23/207, 356, 359, 360
CPC ... B65D 51/002; B01L 3/523; B01L 2200/16;
B01L 2200/141; B01L 2300/044; B01L
2300/0858
See application file for complete search history.

FOREIGN PATENT DOCUMENTS

CN 304288728 * 9/2017
CN 306605409 * 6/2021

Primary Examiner — Jonathan J Han
Assistant Examiner — Amanda J Berlinski
(74) *Attorney, Agent, or Firm* — Richard Wydeven,
Rothwell, Figg, Ernst & Manbeck, P.C.; Charles B.
Cappellari

(57) **CLAIM**

The ornamental design for a fluid vial, as shown and described.

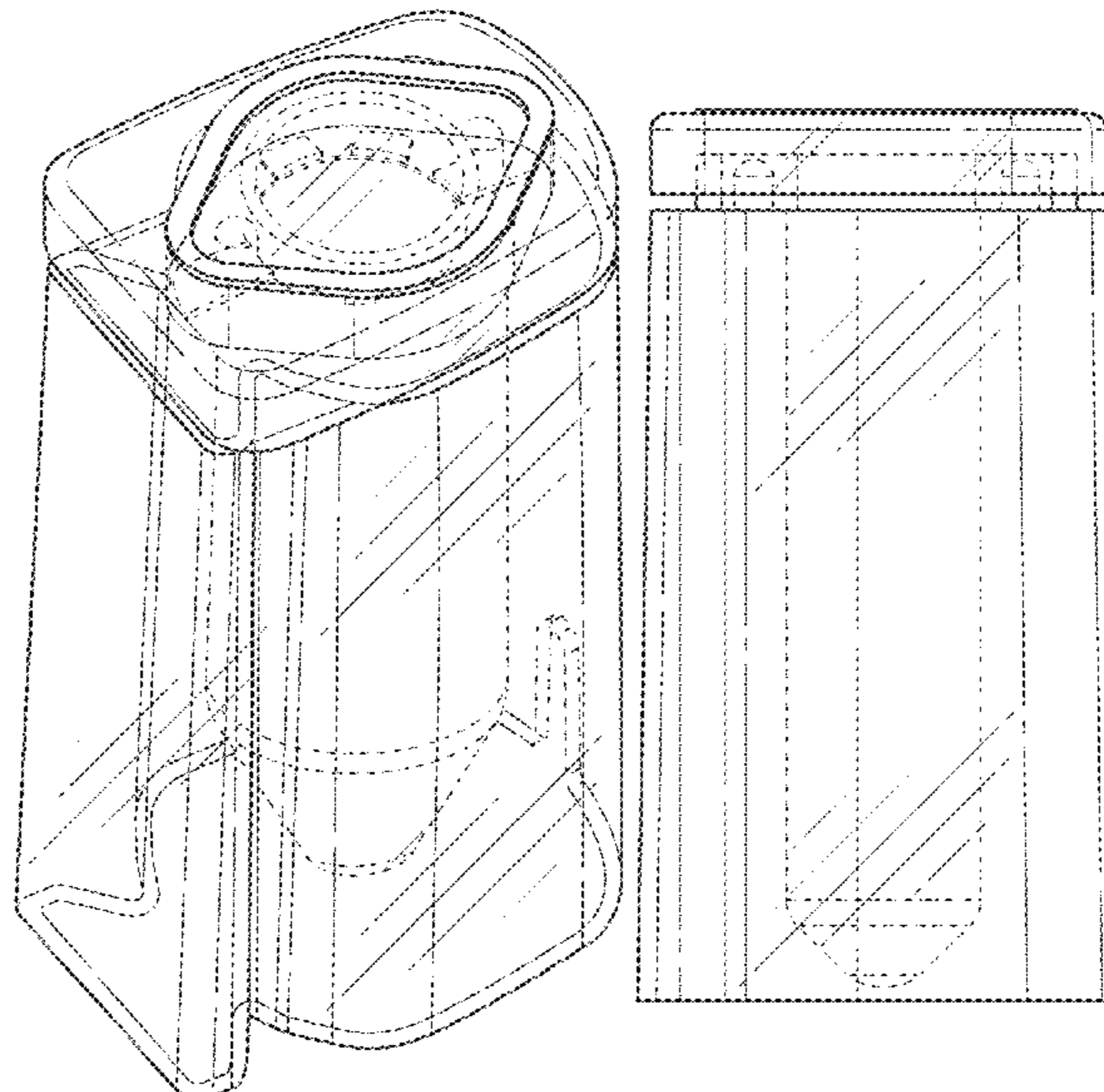
DESCRIPTION

FIG. 1 shows a top perspective view of the fluid vial thereof.
FIG. 2 shows a front elevation view thereof.
FIG. 3 shows a back elevation view thereof.
FIG. 4 shows a left-side elevation view thereof.
FIG. 5 shows a right-side elevation view thereof.
FIG. 6 shows a top plan view thereof; and,
FIG. 7 shows a bottom plan view thereof.
The broken lines shown in the figures depict portions of the fluid vial that form no part of the claimed design.

(56) **References Cited**
U.S. PATENT DOCUMENTS

D395,204 S * 6/1998 Wood D7/615
D418,068 S * 12/1999 Robbins, III D10/46.2
D428,810 S * 8/2000 Lowry B65D 43/0212
D9/432
D478,659 S * 8/2003 Hall D24/108
D488,558 S * 4/2004 Hall D24/108
D584,575 S * 1/2009 Courington D7/629
D604,799 S * 11/2009 Sand D23/207
D628,896 S * 12/2010 Smith B65D 43/0212
D9/542

1 Claim, 4 Drawing Sheets



(56)

References Cited

U.S. PATENT DOCUMENTS

2016/0108392 A1* 4/2016 Stelling B03C 1/01
506/30
2018/0290141 A1* 10/2018 Knight B01L 3/565
2020/0222896 A1* 7/2020 Booker B01L 3/523
2021/0106987 A1* 4/2021 Lind G01N 35/00
2021/0299664 A1* 9/2021 Buse B01L 3/523

* cited by examiner

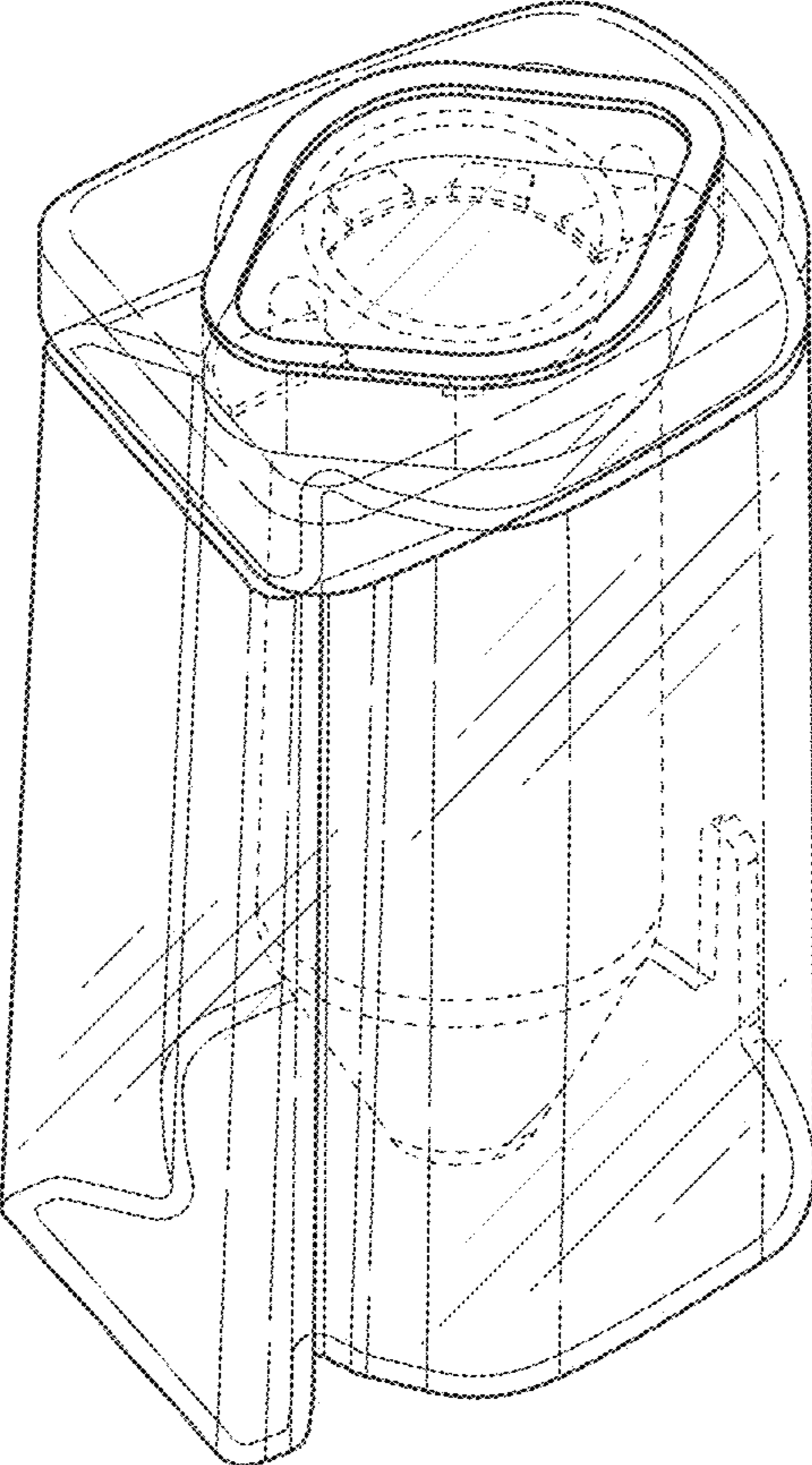


FIG. 1

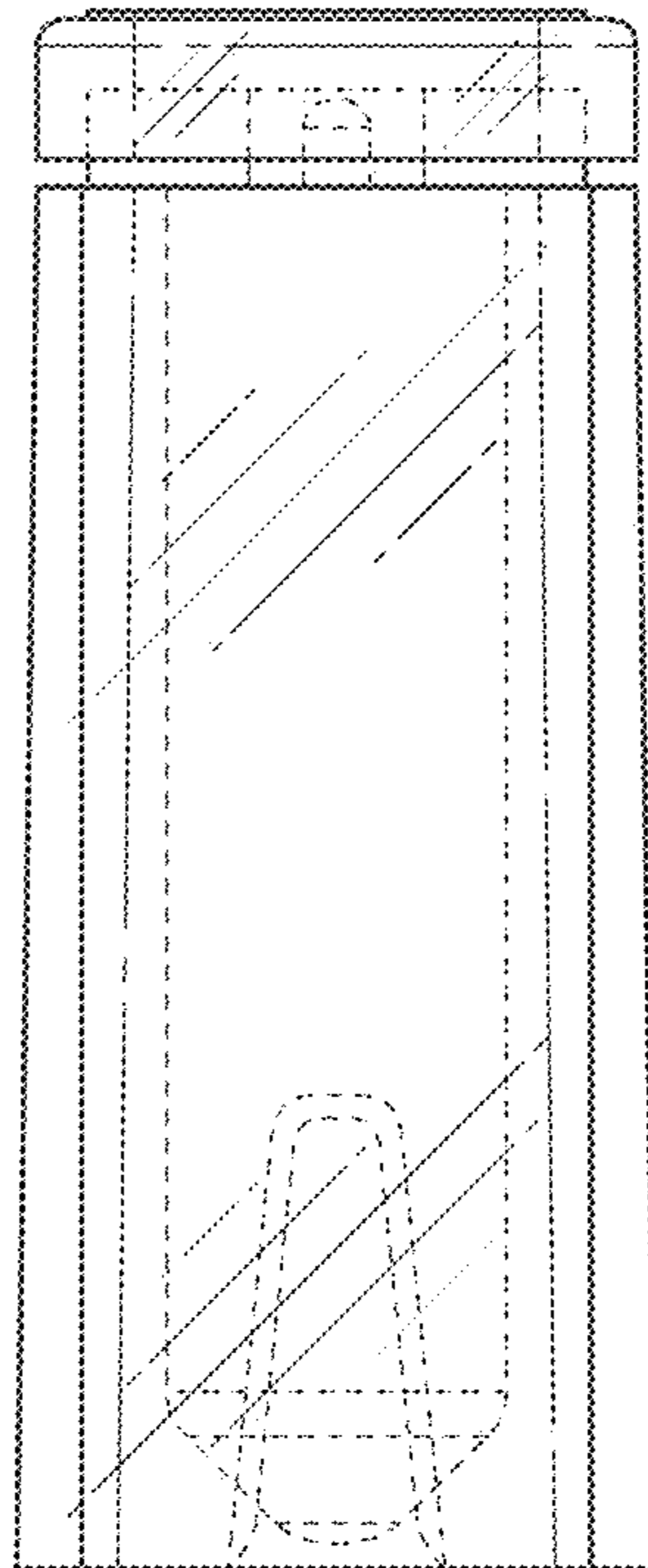


FIG. 2

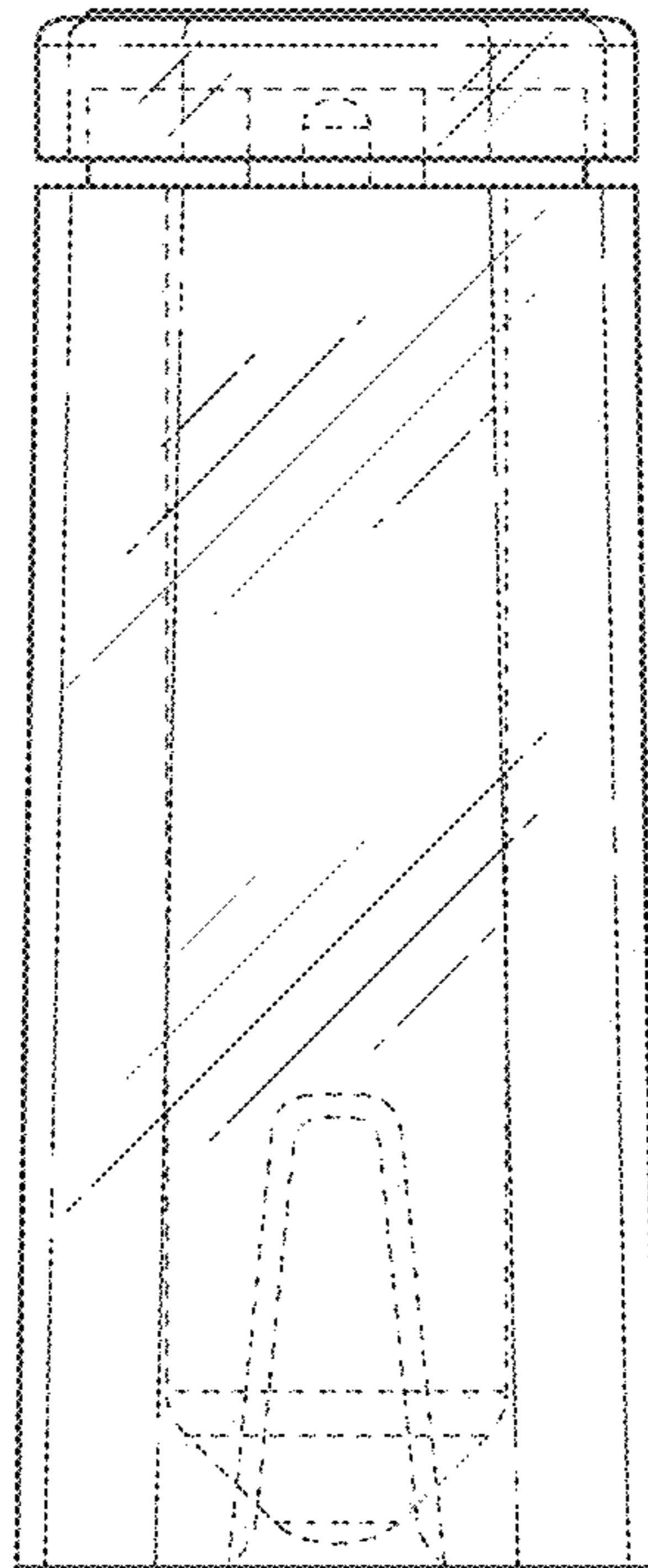


FIG. 3

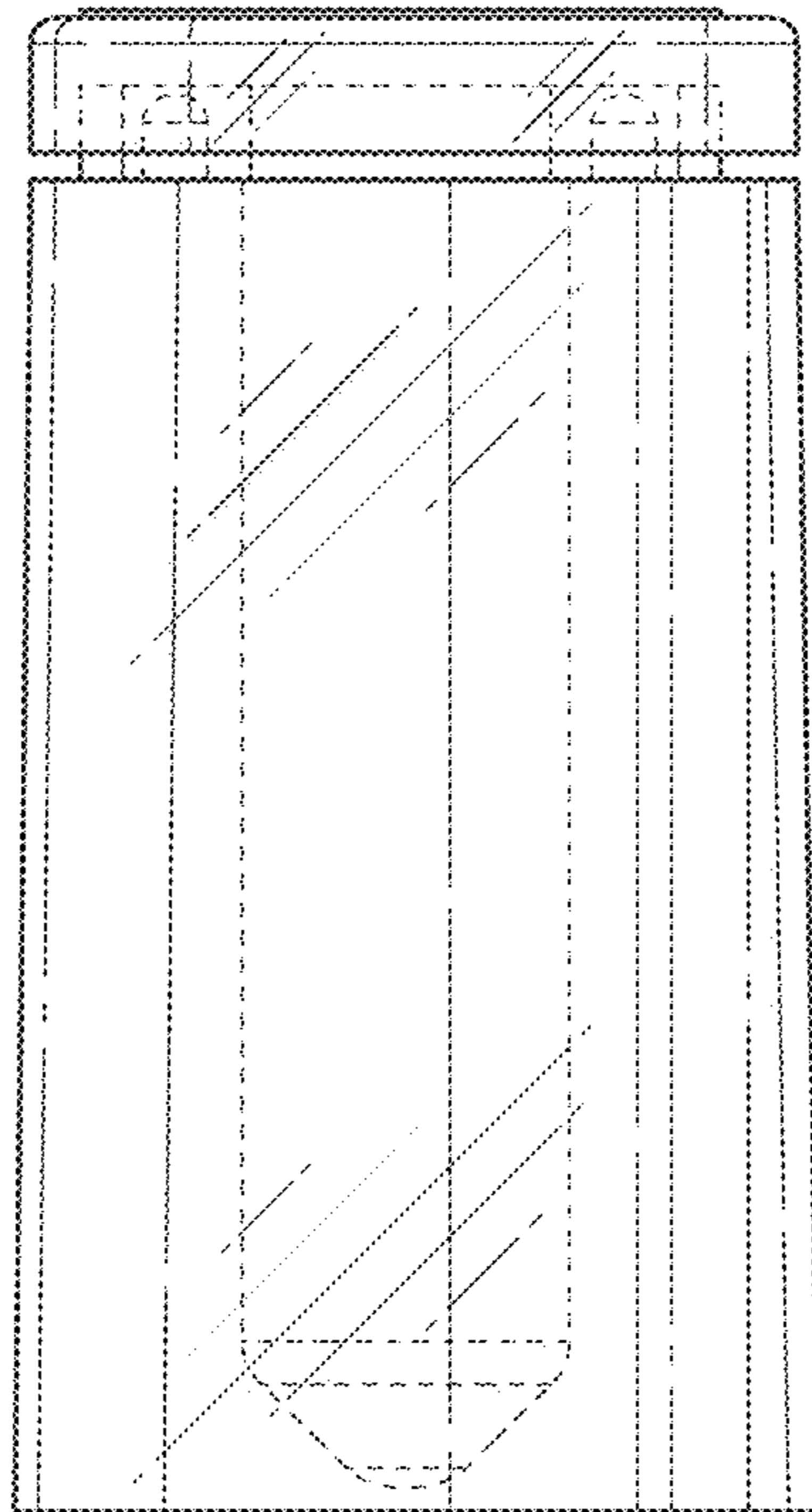


FIG. 4

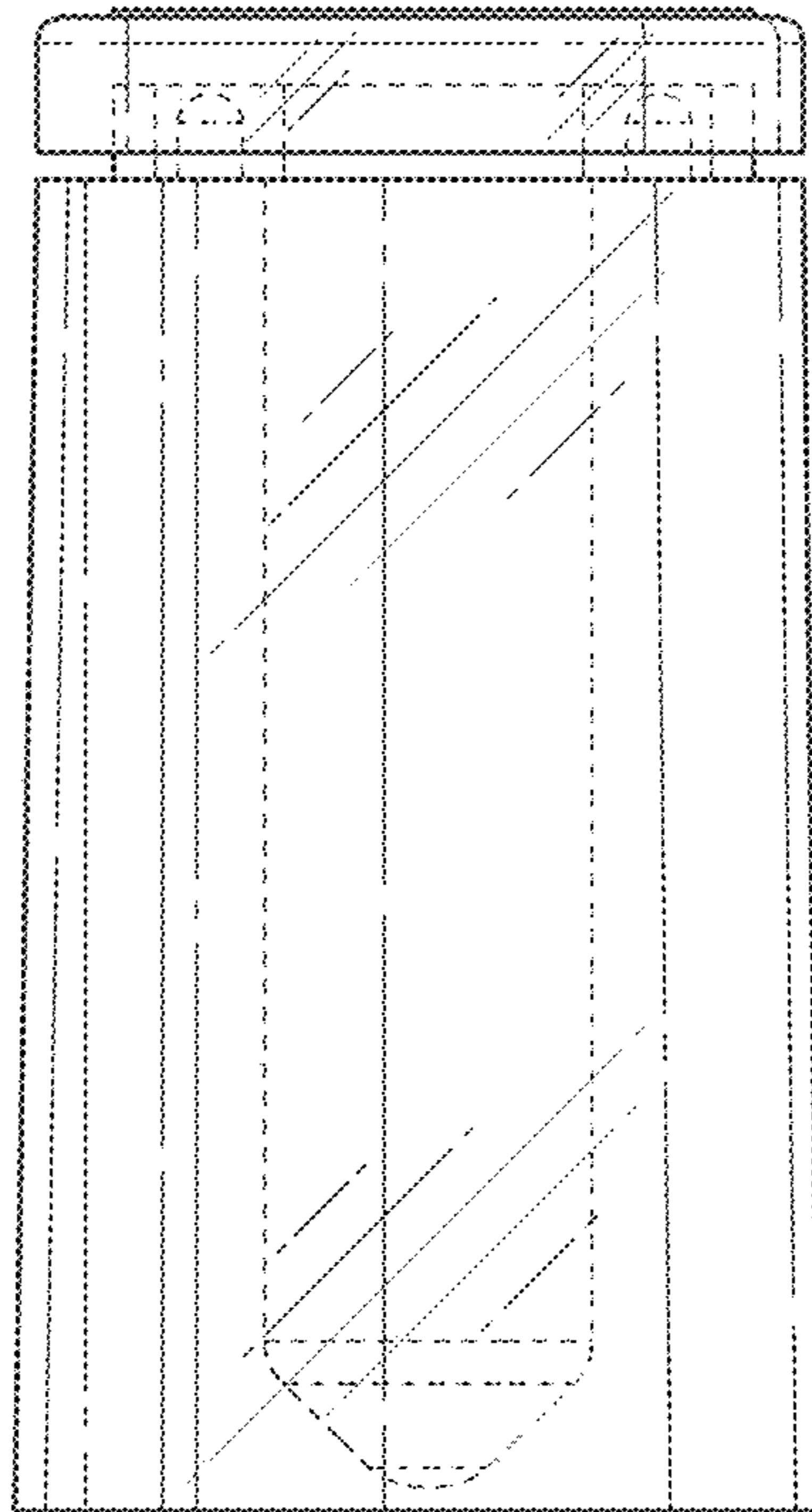


FIG. 5

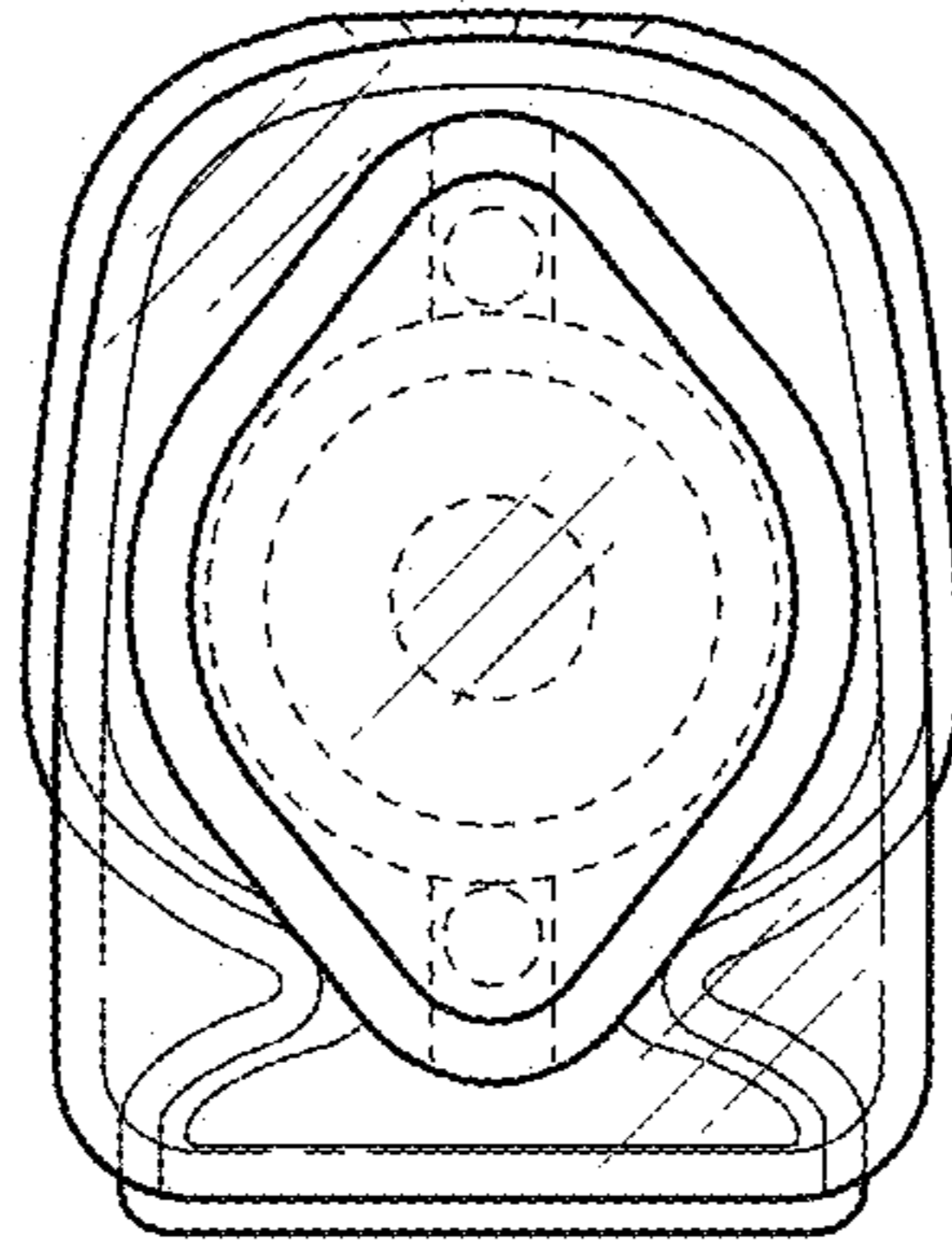


FIG. 6

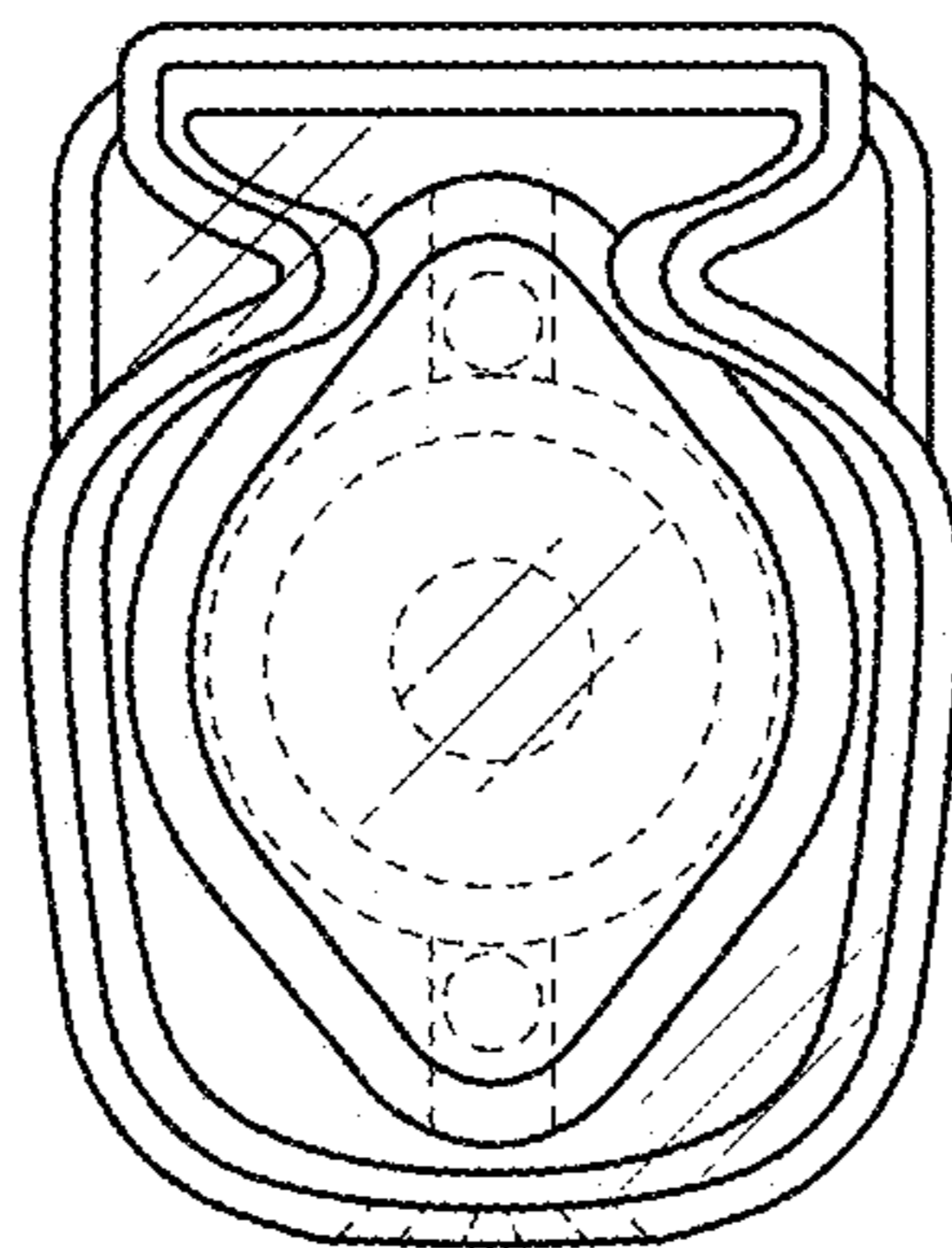


FIG. 7