



US00D985764S

(12) **United States Design Patent**
Yang

(10) **Patent No.:** **US D985,764 S**

(45) **Date of Patent:** **** May 9, 2023**

(54) **SNORKEL MASK**

(71) Applicant: **Yuanhua Yang**, Hunan (CN)

(72) Inventor: **Yuanhua Yang**, Hunan (CN)

(**) Term: **15 Years**

(21) Appl. No.: **29/676,922**

(22) Filed: **Jan. 16, 2019**

(30) **Foreign Application Priority Data**

Dec. 19, 2018 (EM) 005937018

(51) **LOC (14) Cl.** **29-02**

(52) **U.S. Cl.**
USPC **D24/110.2**

(58) **Field of Classification Search**
USPC D24/110, 110.1–110.5, 127, 129;
D29/102, 106–108, 110; D21/803, 804
CPC B63C 11/12; B63C 11/16; B63C 11/186;
B63C 11/205

See application file for complete search history.

(56) **References Cited**

U.S. PATENT DOCUMENTS

- D838,358 S * 1/2019 Xu D24/110.2
- D871,570 S * 12/2019 Pang D24/110.2
- D875,923 S * 2/2020 Cai D24/110.2
- D925,728 S * 7/2021 Chen D24/110.2
- 11,097,818 B2 * 8/2021 Liao B63C 11/14
- 2019/0002068 A1 * 1/2019 Godoy B63C 11/16
- 2019/0023366 A1 * 1/2019 Liao B63C 11/16
- 2019/0039702 A1 * 2/2019 Gamberini B63C 11/26
- 2019/0118916 A1 * 4/2019 Xiao B63C 11/14

- 2020/0216157 A1 * 7/2020 Xiao B63C 11/16
- 2020/0231260 A1 * 7/2020 Liao B63C 11/205
- 2021/0122447 A1 * 4/2021 Seilliere B63C 11/16

FOREIGN PATENT DOCUMENTS

GB 005937018-0001 * 12/2018

OTHER PUBLICATIONS

Full Face Snorkel Mask for Women and Men by Swimstar. Amazon. Oldest review date: Jul. 1, 2020. Retrieval date: Apr. 19, 2022. Retrieved from internet: <https://www.amazon.com/SwimStar-Snorkeing-Comfortable-Snorkeling-Easybreath/dp/B08CGR87MR> (Year: 2020).*

* cited by examiner

Primary Examiner — Daniel J Domino

Assistant Examiner — Lee D. Starr

(57) **CLAIM**

The ornamental design for a snorkel mask, as shown.

DESCRIPTION

FIG. 1 is a front elevational view of a snorkel mask showing my new design;

FIG. 2 is a rear elevational view thereof;

FIG. 3 is a left side elevational view thereof;

FIG. 4 is a right side elevational view thereof;

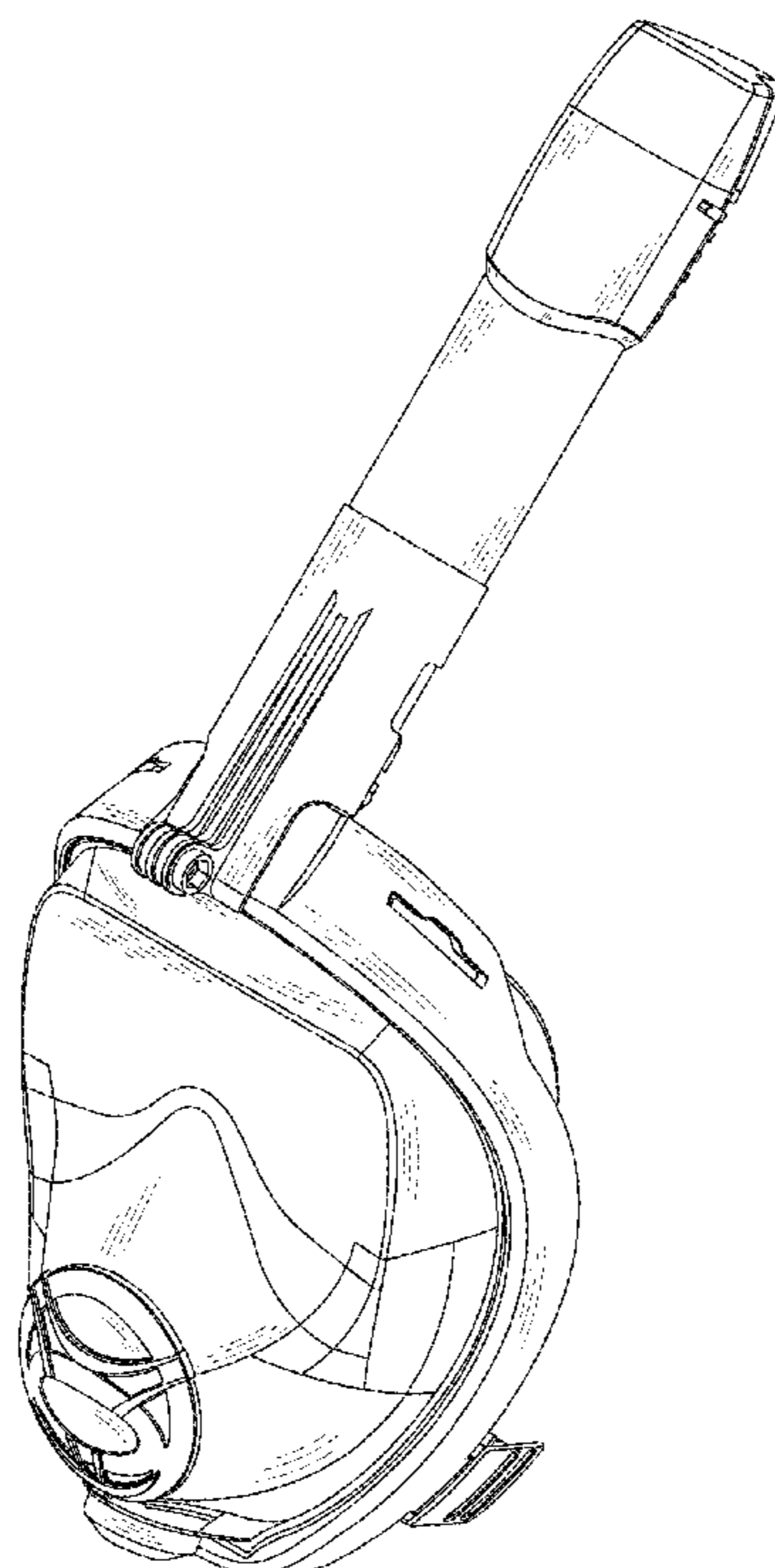
FIG. 5 is a top plan view thereof; and

FIG. 6 is a bottom plan view thereof; and,

FIG. 7 is a front perspective view thereof.

The broken lines depict portions of the snorkel mask that forms no part of the claimed design.

1 Claim, 7 Drawing Sheets



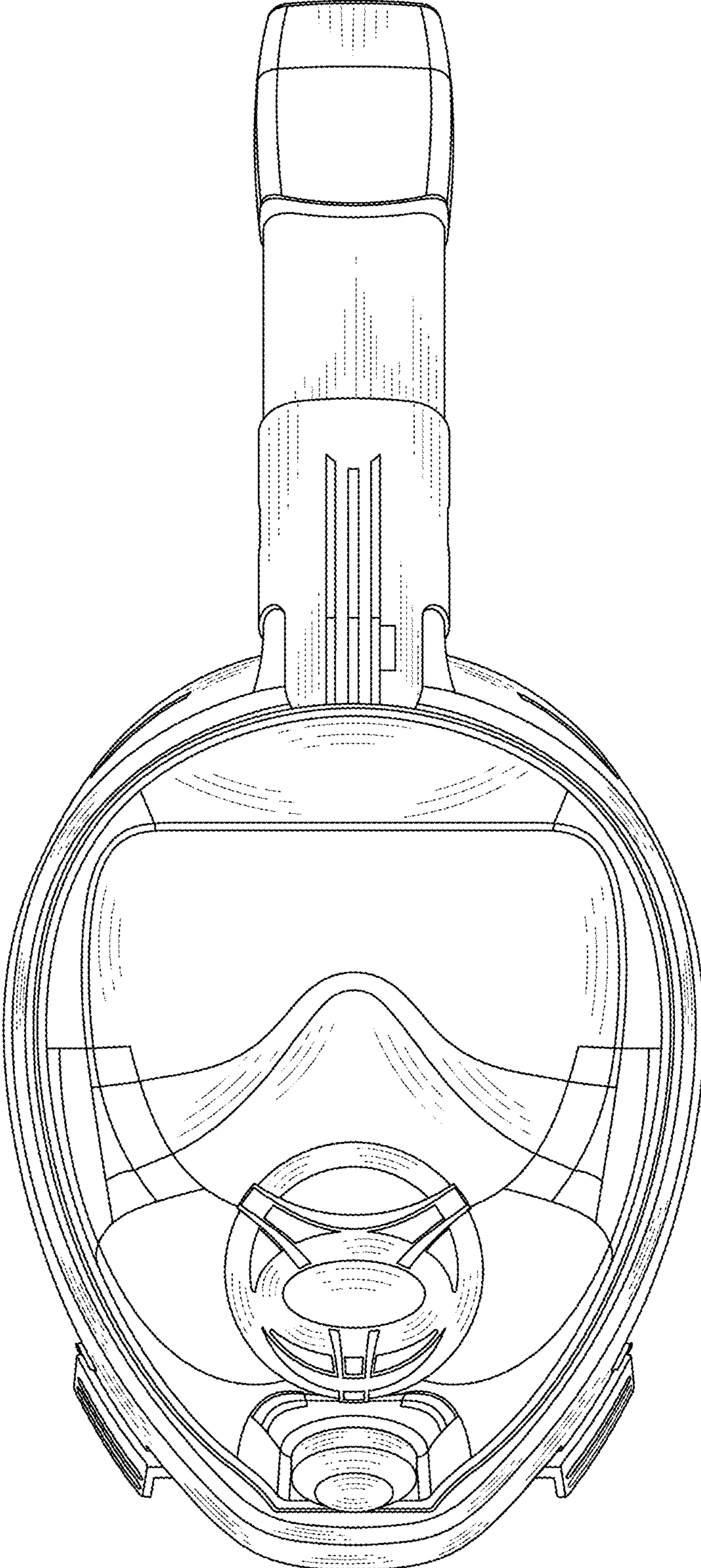


FIG. 1

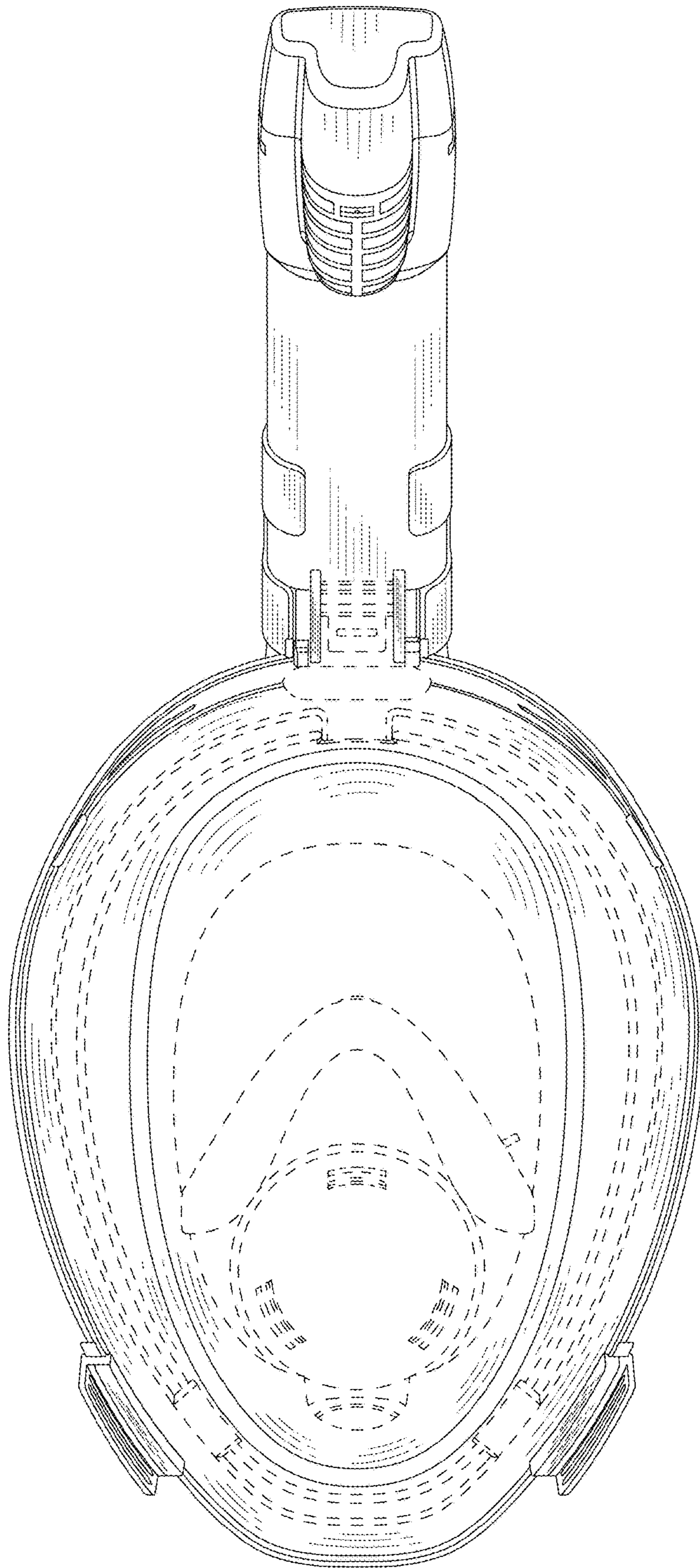


FIG. 2

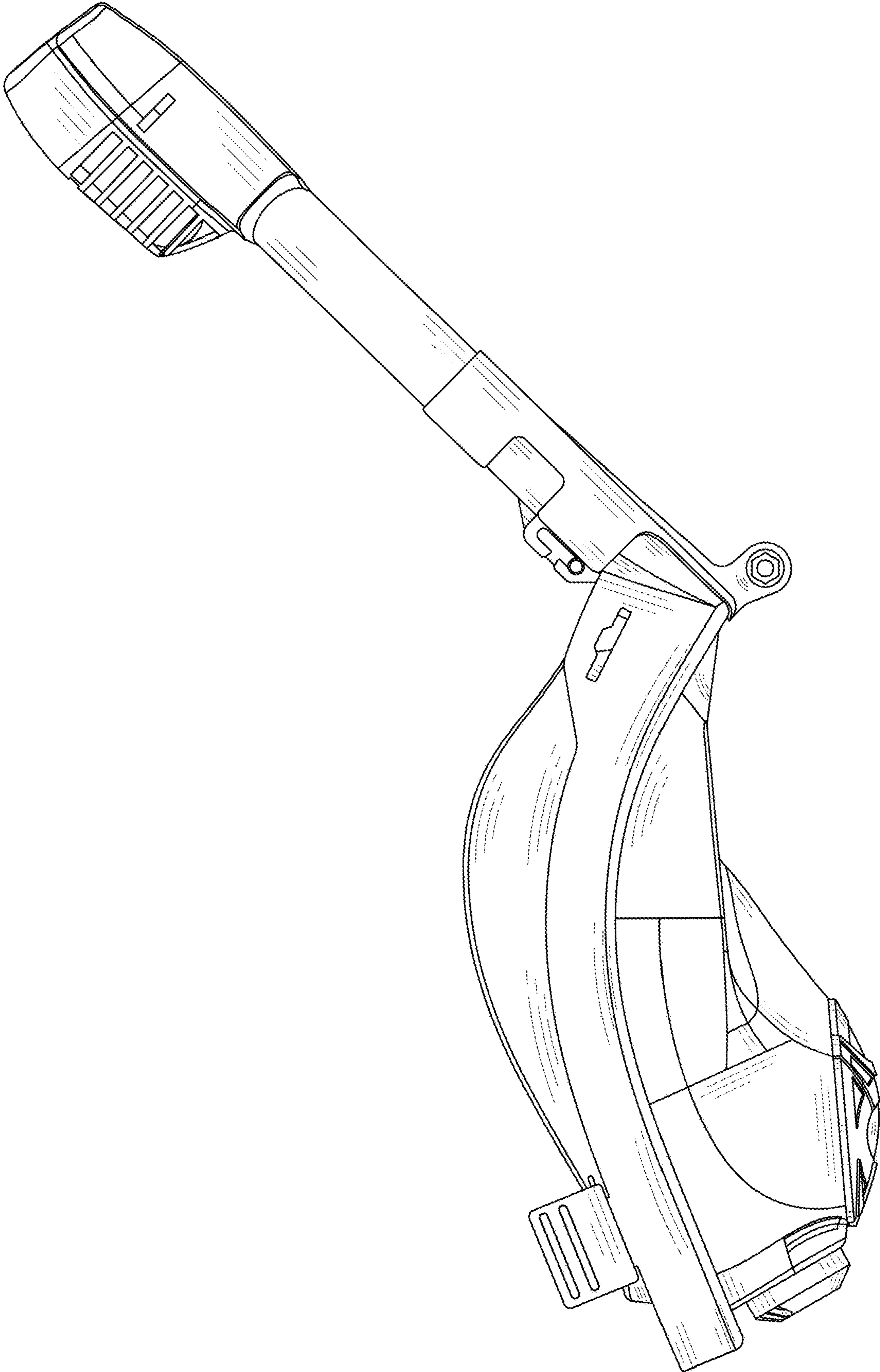


FIG. 3

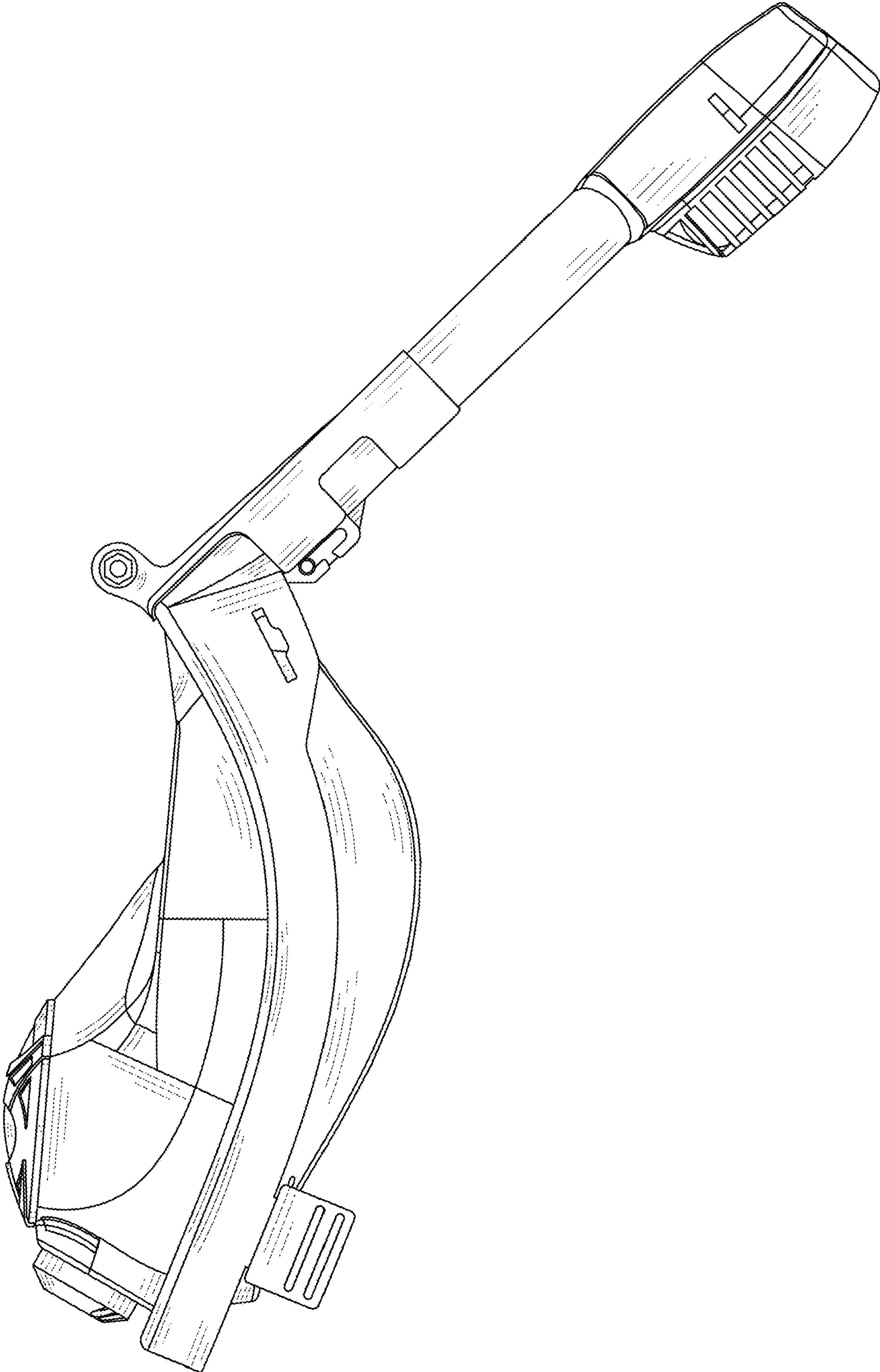


FIG. 4

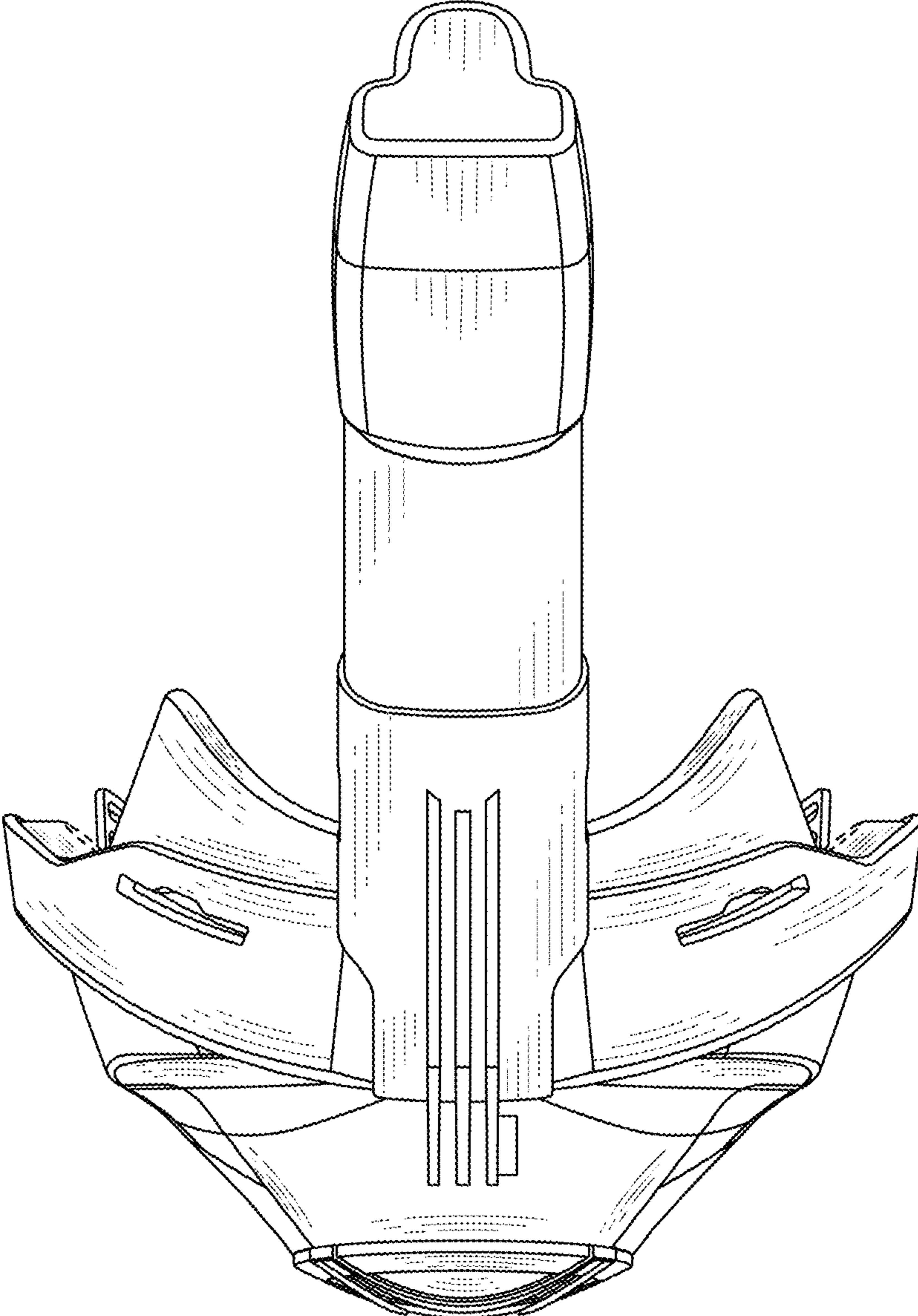


FIG. 5

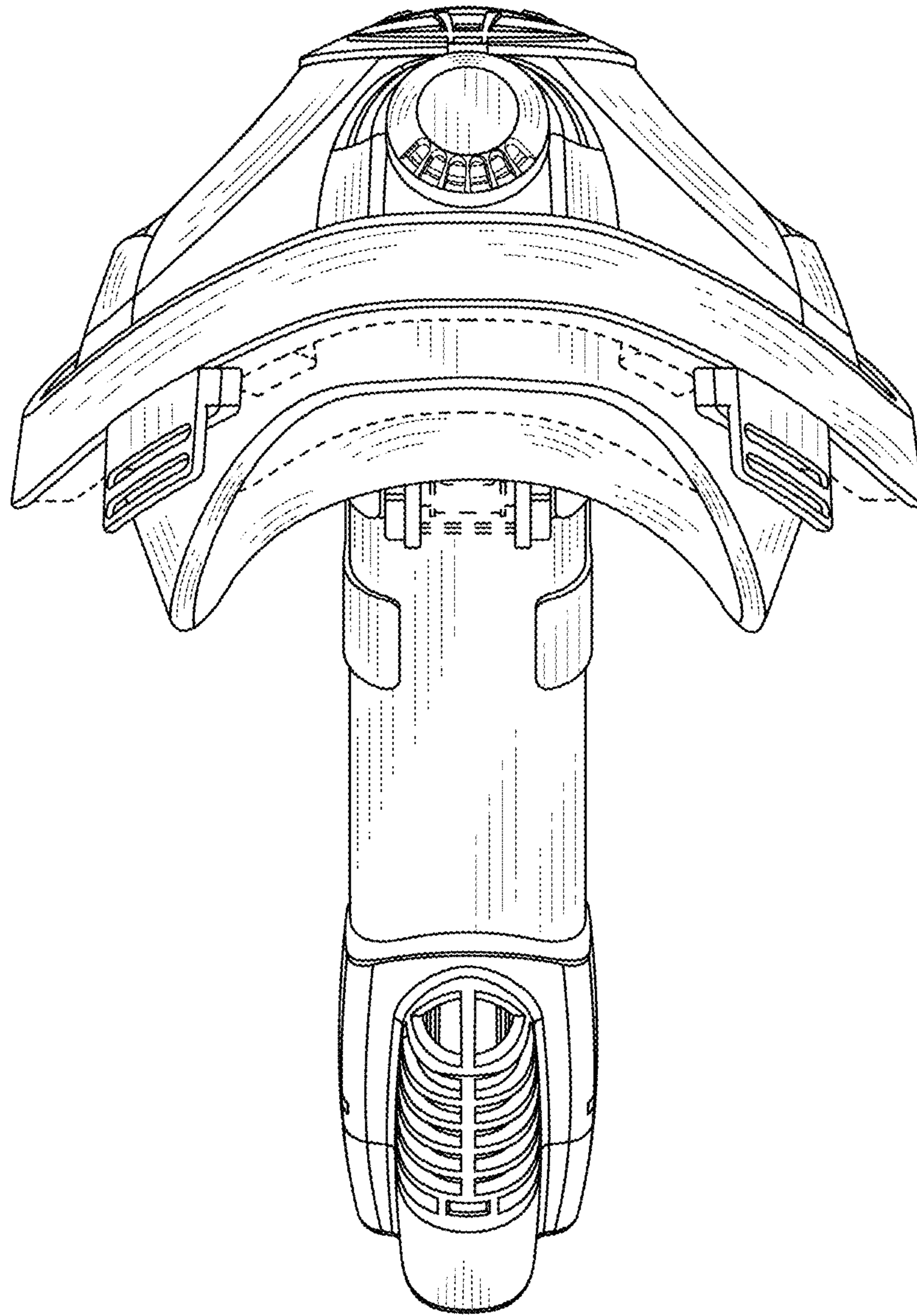


FIG. 6

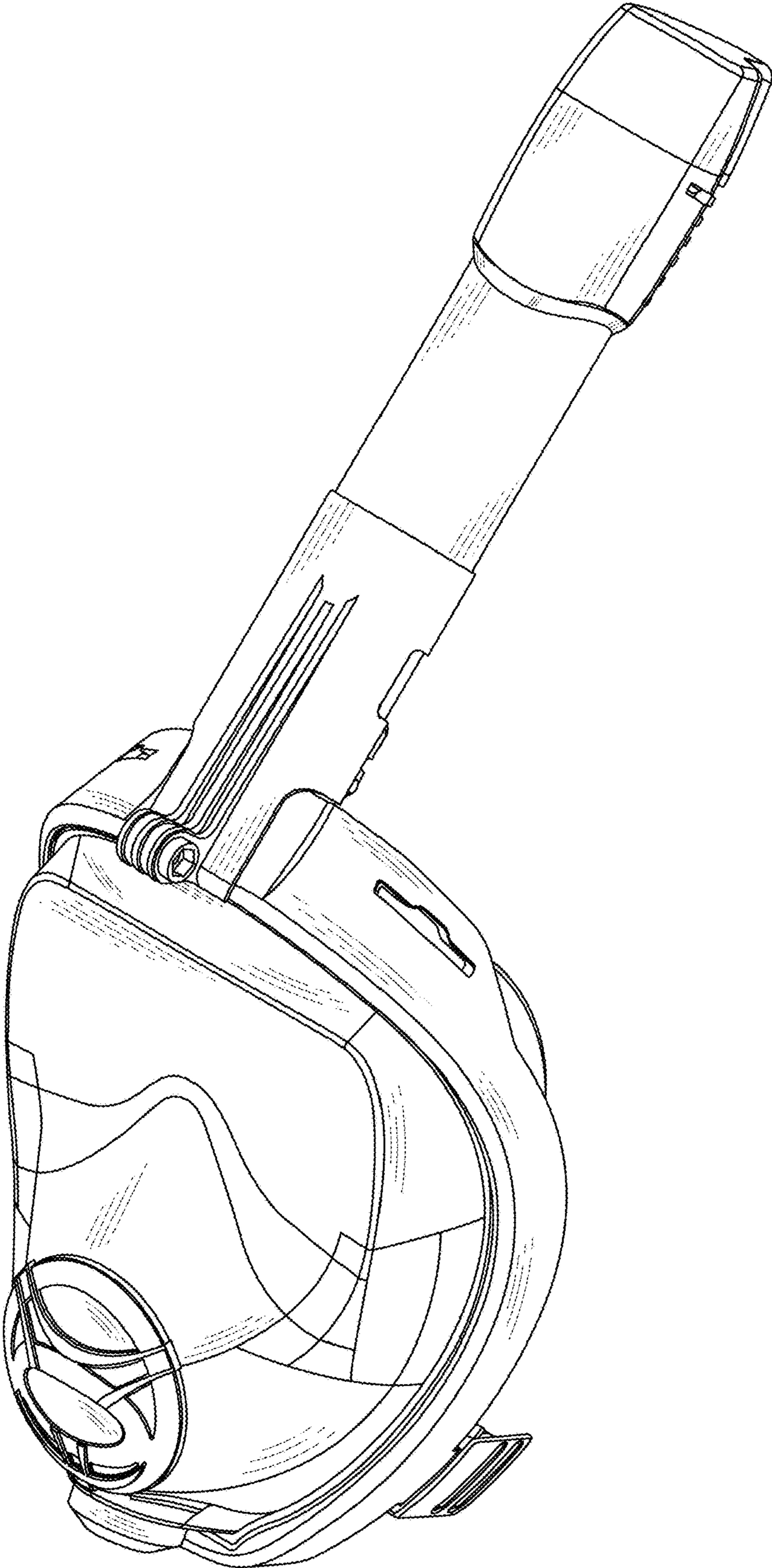


FIG. 7