



US00D985763S

(12) **United States Design Patent** (10) **Patent No.:** **US D985,763 S**
Miller et al. (45) **Date of Patent:** **** May 9, 2023**

(54) **MEDICAL FACE MASK**
(71) Applicant: **Intersurgical AG**, Vaduz (LI)
(72) Inventors: **Andrew Neil Miller**, Wokingham (GB);
Matthew James William Leary,
Wokingham (GB); **Simon Robert**
Payne, Wokingham (GB); **David Simon**
Bottom, Wokingham (GB)

D679,378 S * 4/2013 von Hollen D24/110.4
D687,142 S * 7/2013 Rothermel D24/110.4
D703,808 S * 4/2014 Bowsher D24/110.4
D720,846 S * 1/2015 Bowsher D24/110.4
RE45,836 E * 1/2016 McAuley D24/110.1
D754,328 S * 4/2016 Bowsher D24/110.1
D773,121 S * 11/2016 Yuan D29/108

(Continued)

(73) Assignee: **INTERSURGICAL AG**, Vaduz (LI)
(**) Term: **15 Years**

KR 20200137785 A 12/2020

FOREIGN PATENT DOCUMENTS

(21) Appl. No.: **35/513,656**
(22) Filed: **Aug. 12, 2021**

OTHER PUBLICATIONS

Product Display for High-flow Nasal Cannula Mask, by Foxxmed Ltd., displayed at Medica tradeshow, Dusseldorf, Germany (Nov. 15-18, 2021).

(80) **Hague Agreement Data**
Int. Filing Date: **Aug. 12, 2021**
Int. Reg. No.: **DM/216285**
Int. Reg. Date: **Aug. 12, 2021**
Int. Reg. Pub. Date: **Feb. 18, 2022**

Primary Examiner — Rhea Shields
(74) *Attorney, Agent, or Firm* — Troutman Pepper
Hamilton Sanders LLP (Rochester)

(51) **LOC (14) Cl.** **29-02**
(52) **U.S. Cl.**
USPC **D24/110.1**
(58) **Field of Classification Search**
USPC D24/110.1, 110.2, 110.4, 209; D29/108;
D3/269
CPC B63C 11/16; A62B 23/025; A61M 16/06;
A61M 16/085; A61M 16/0616
See application file for complete search history.

(57) **CLAIM**

The ornamental design for a medical face mask, as shown and described.

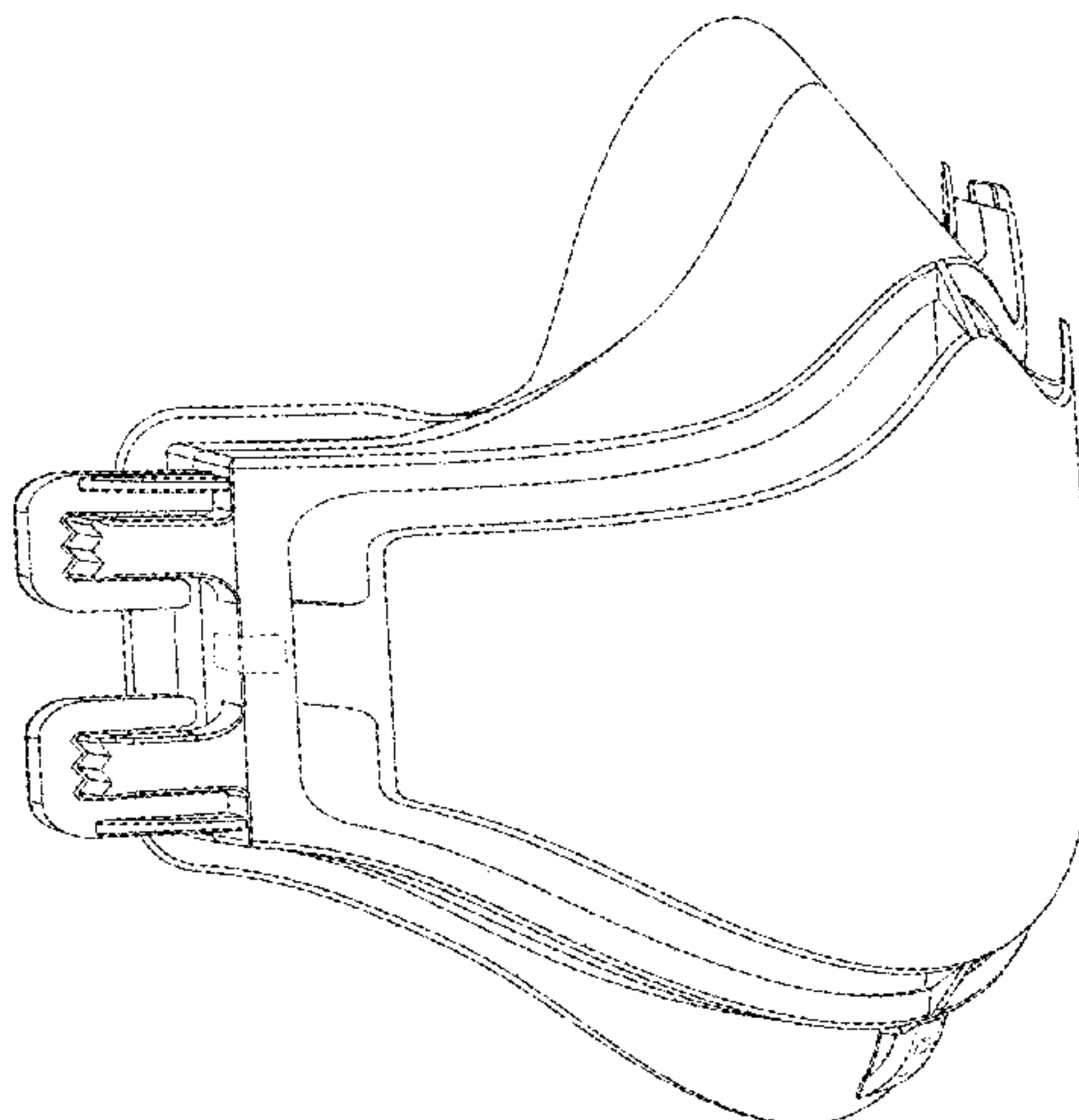
(56) **References Cited**
U.S. PATENT DOCUMENTS

DESCRIPTION

- 1. Medical face mask
- 1.1 : Left rear perspective
- 1.2 : Front
- 1.3 : Bottom
- 1.4 : Top
- 1.5 : Right rear perspective
- 1.6 : Left front perspective
- 1.7 : Right front perspective
- 1.8 : Left bottom perspective
- 1.9 : Back
- 1.10 : Left
- 1.11 : Right

(Continued)

D362,061 S * 9/1995 McGinnis D24/110.4
6,019,101 A 2/2000 Cotner et al.
D428,139 S * 7/2000 Smart D24/110.4
D434,141 S * 11/2000 Randeberg D24/110.4
D483,476 S * 12/2003 Von Hollen D24/110.4
D677,782 S * 3/2013 D'Souza D24/110.4
D679,376 S * 4/2013 von Hollen D24/110.4
D679,377 S * 4/2013 von Hollen D24/110.4



The broken lines shown in the figures represent portions of the medical face mask that form no part of the claimed design.

1 Claim, 11 Drawing Sheets

(56)

References Cited

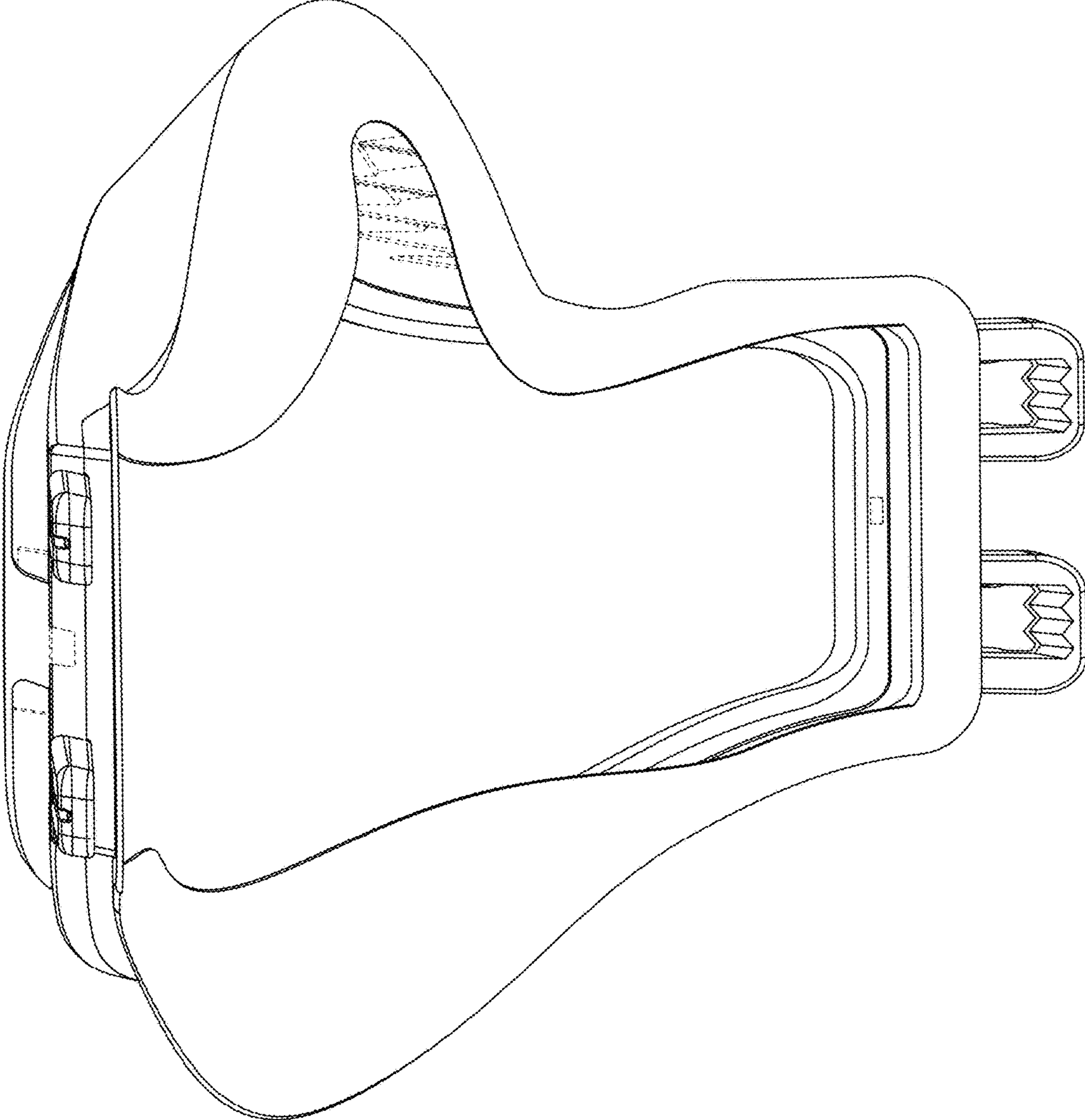
U.S. PATENT DOCUMENTS

D775,323 S * 12/2016 Bowsher D24/110.4
D788,373 S * 5/2017 Bunge D29/108
D831,192 S * 10/2018 Park D24/110.1
10,166,354 B2 * 1/2019 Eifler A61M 16/06
10,188,818 B2 * 1/2019 Bowsher A61M 16/085
D844,253 S * 3/2019 Cho D29/108
10,322,312 B1 * 6/2019 Danford A62B 23/025
D855,174 S * 7/2019 Fofack D24/110.1

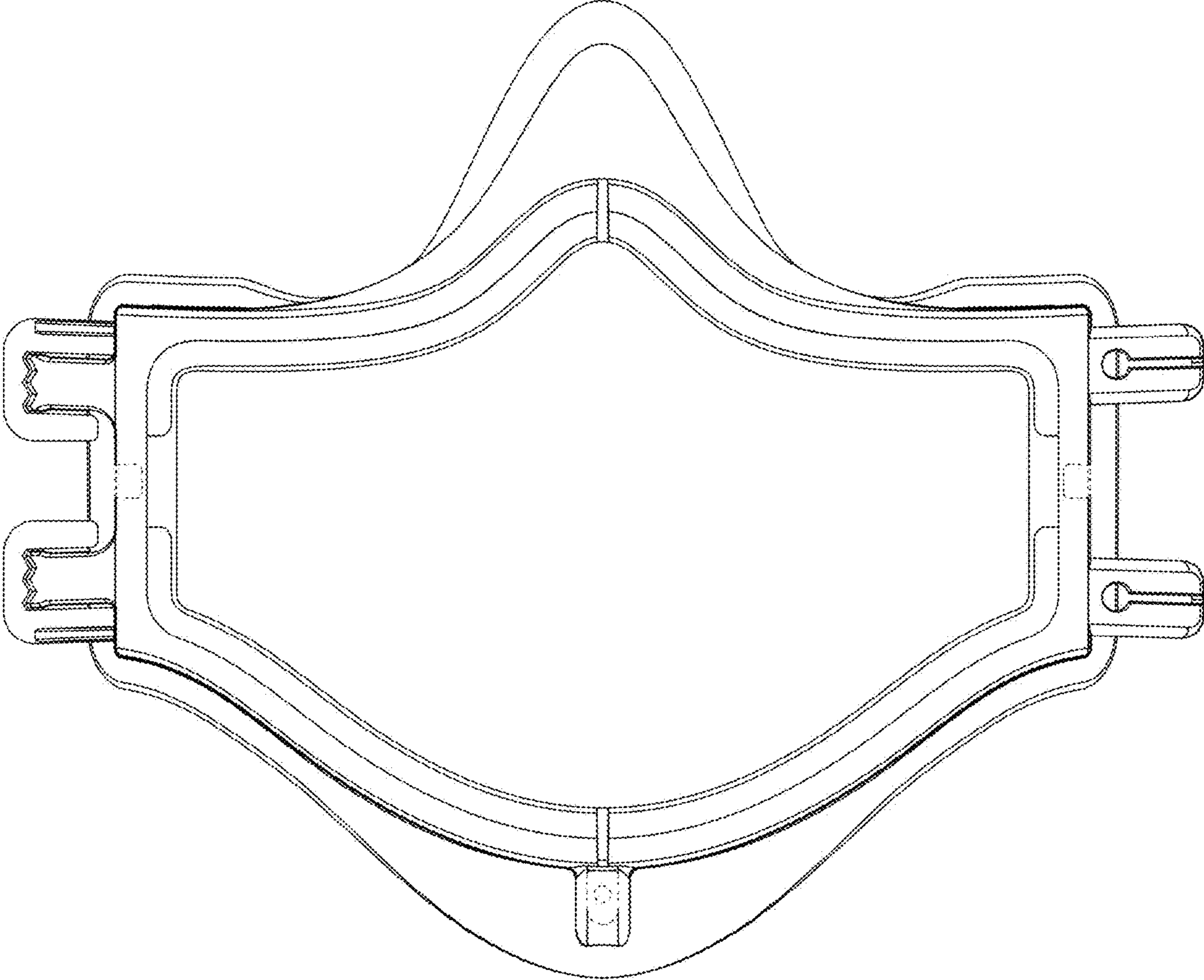
D868,960 S * 12/2019 Tu D24/110.1
D885,559 S * 5/2020 Gabriel D29/108
D906,514 S * 12/2020 Law D24/110.4
D923,775 S * 6/2021 Gilner D24/110.4
11,058,839 B2 * 7/2021 Bowsher A61M 16/06
D930,149 S * 9/2021 Huang D24/110.1
D941,480 S * 1/2022 Kim D24/209
D941,991 S * 1/2022 Torbenson D24/110.1
D946,832 S * 3/2022 Jiang D29/108
D953,028 S * 5/2022 Reso D3/269
D955,562 S * 6/2022 Law D24/110.4
D958,967 S * 7/2022 Zhu D24/110.1
D959,643 S * 8/2022 Kim D29/108
11,401,017 B2 * 8/2022 Gamberini B63C 11/16
D963,157 S * 9/2022 Kim D29/108
D963,839 S * 9/2022 Kim D24/110.1
2014/0238400 A1 * 8/2014 Miller A61M 16/06
264/254
2017/0318875 A1 11/2017 Henderson et al.
2022/0280739 A1 * 9/2022 Leary A61M 16/0616

* cited by examiner

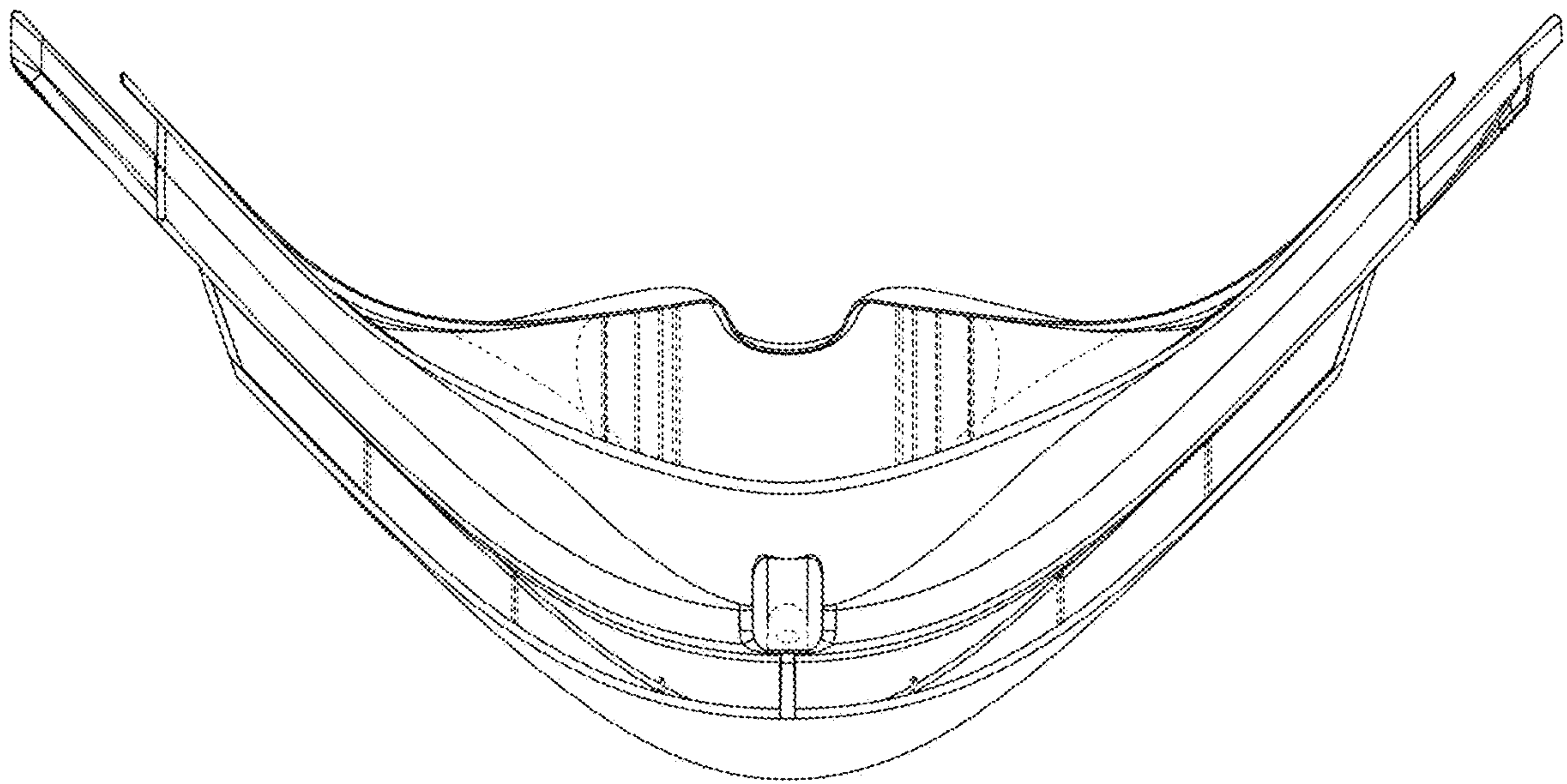
1.1



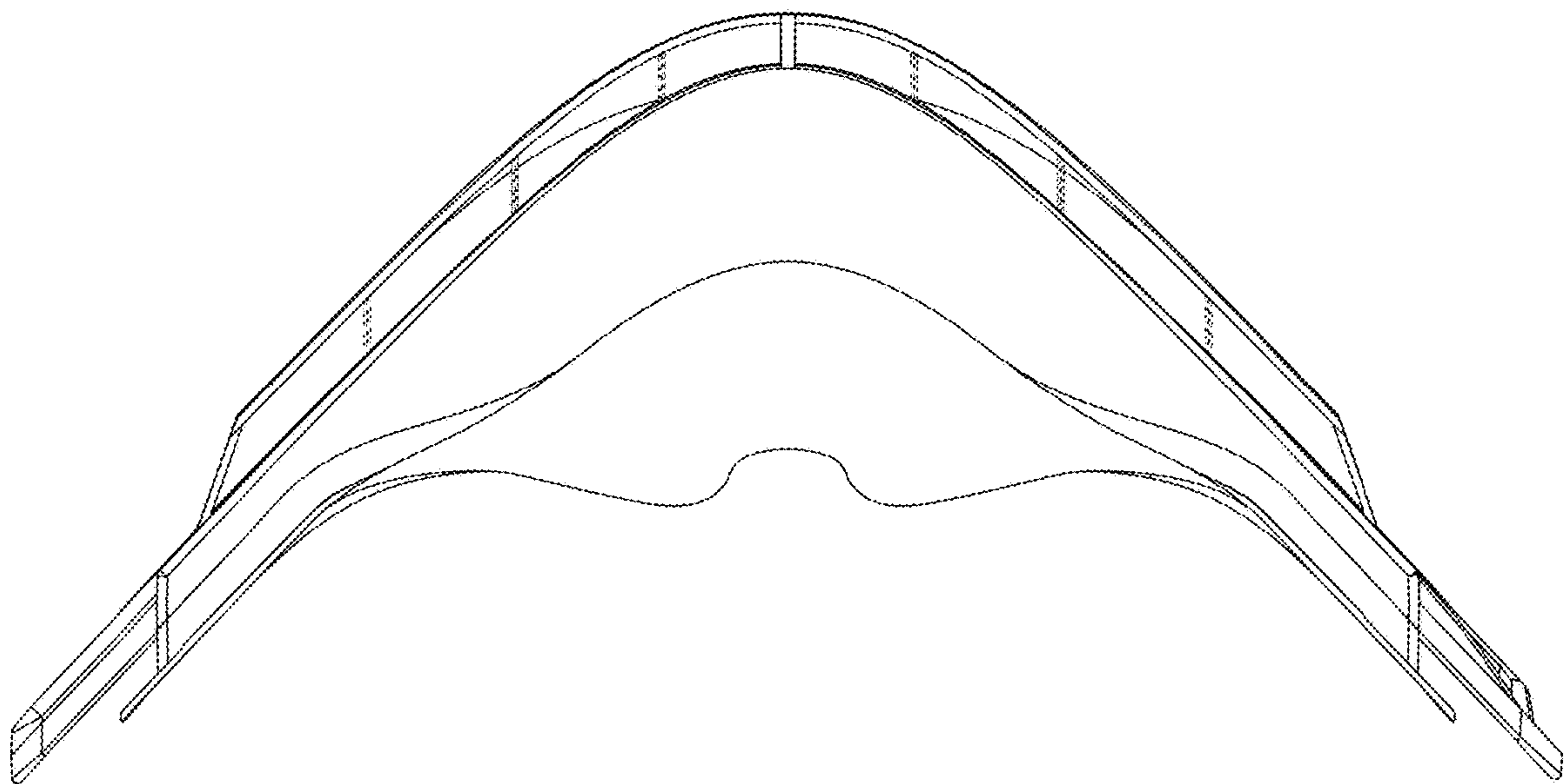
1.2



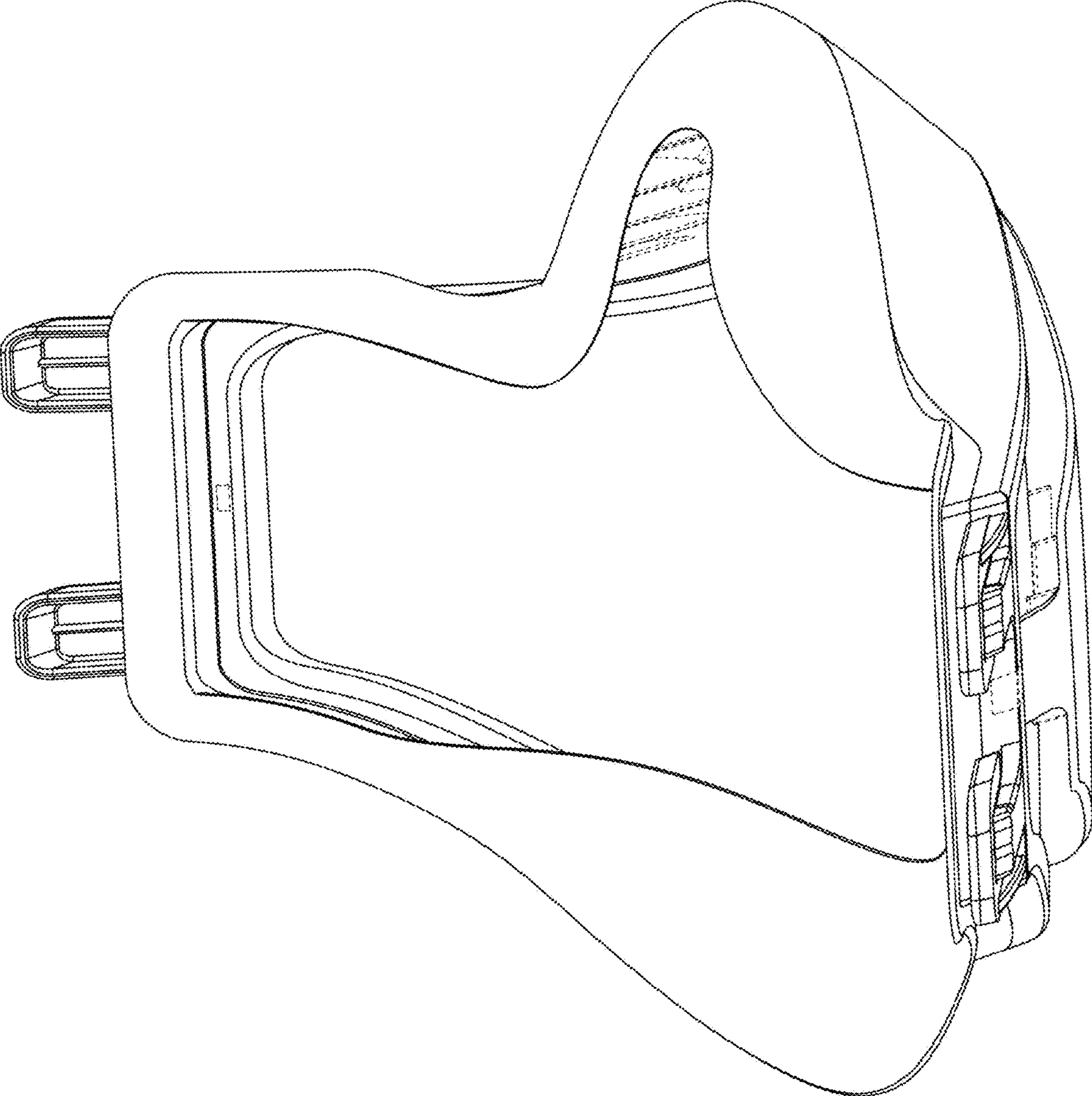
1.3



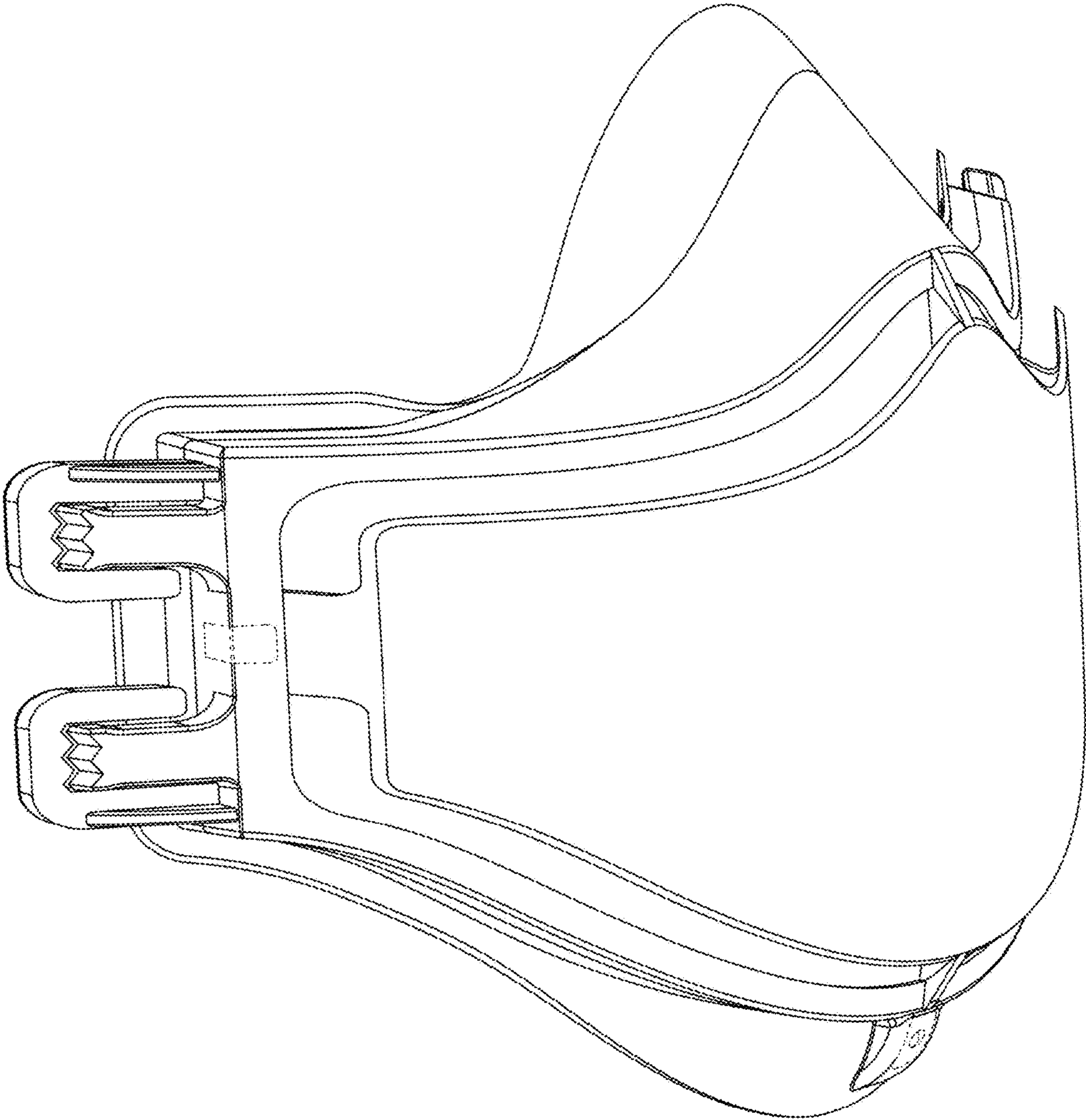
1.4



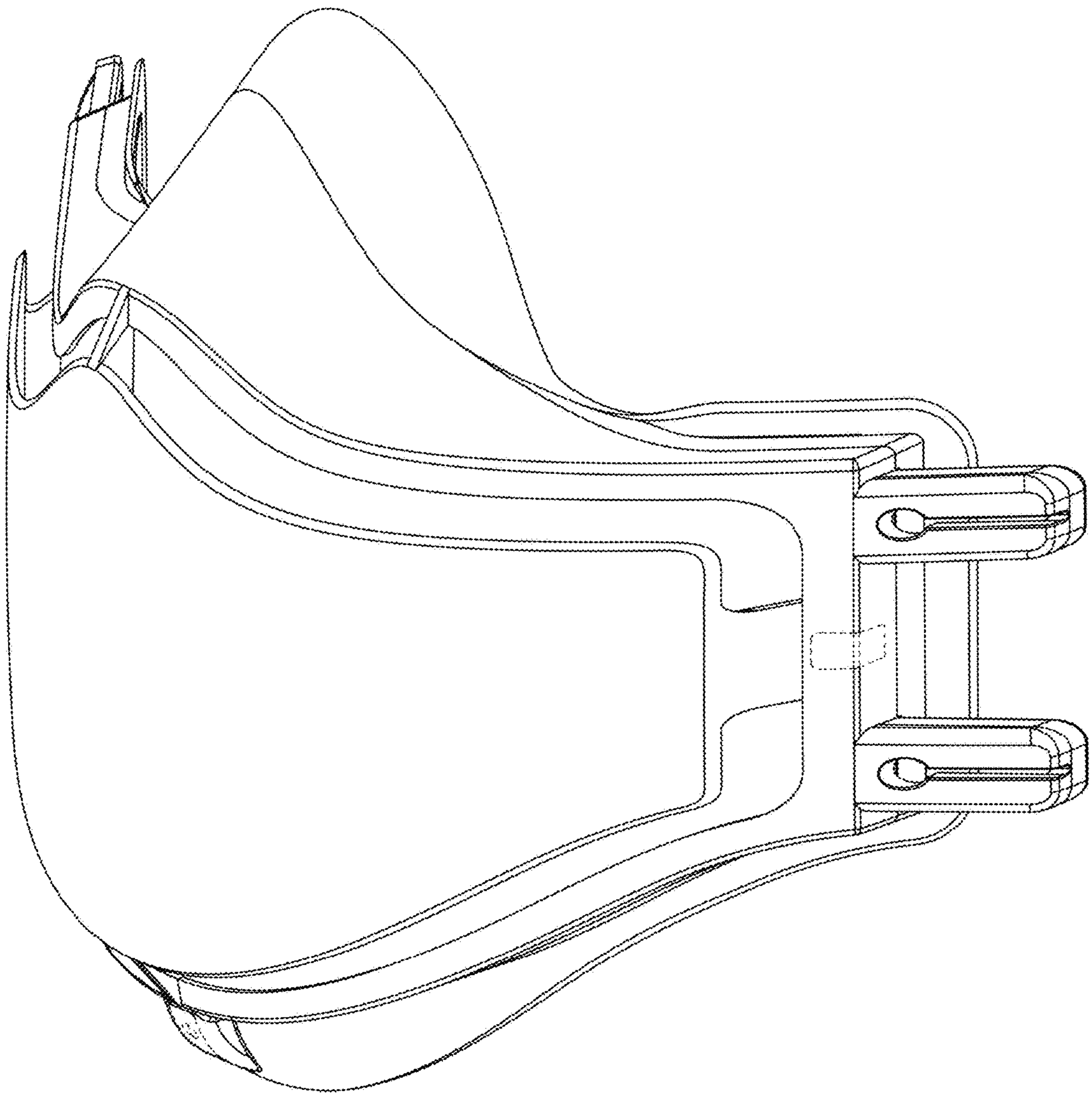
1.5



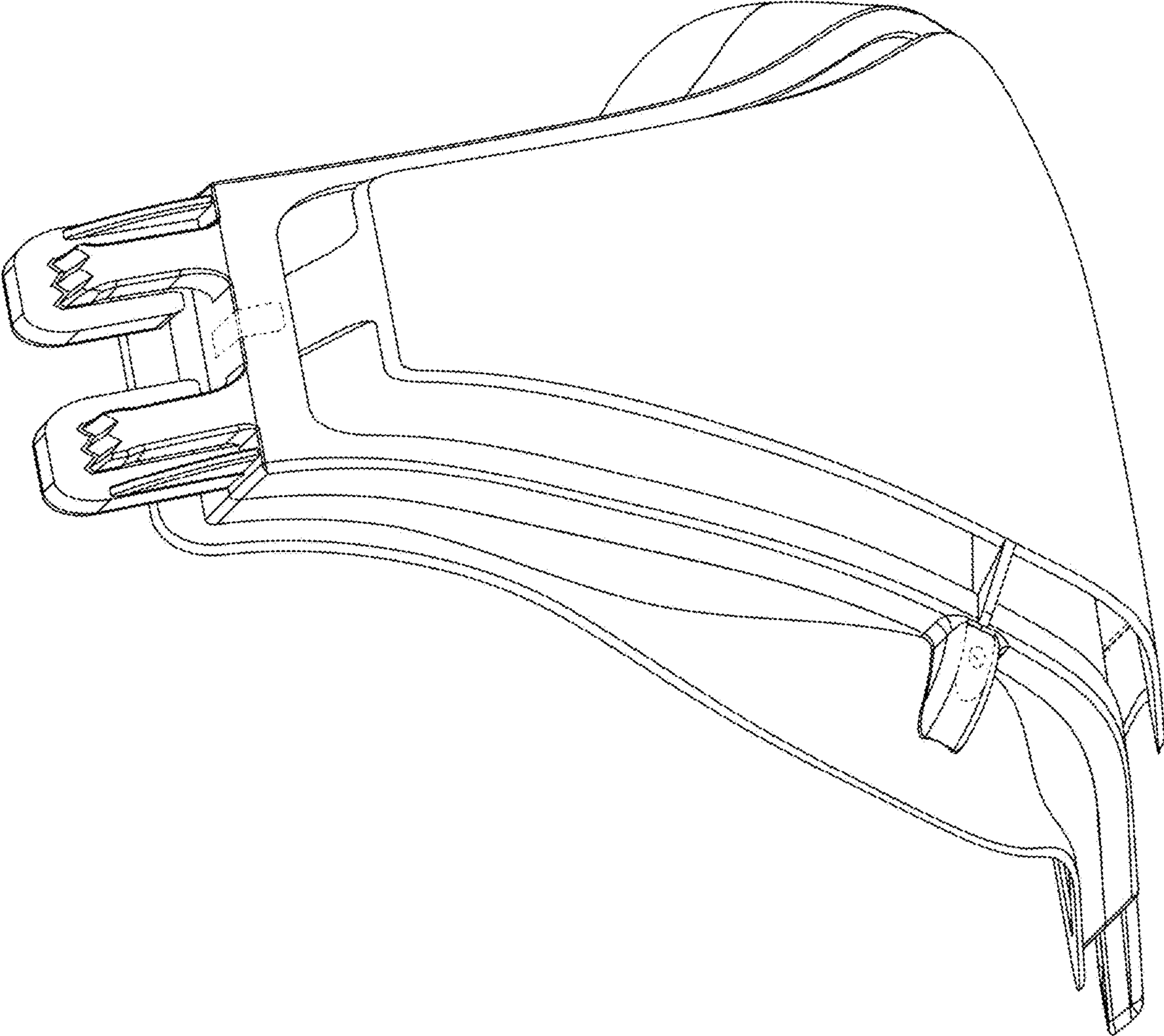
1.6



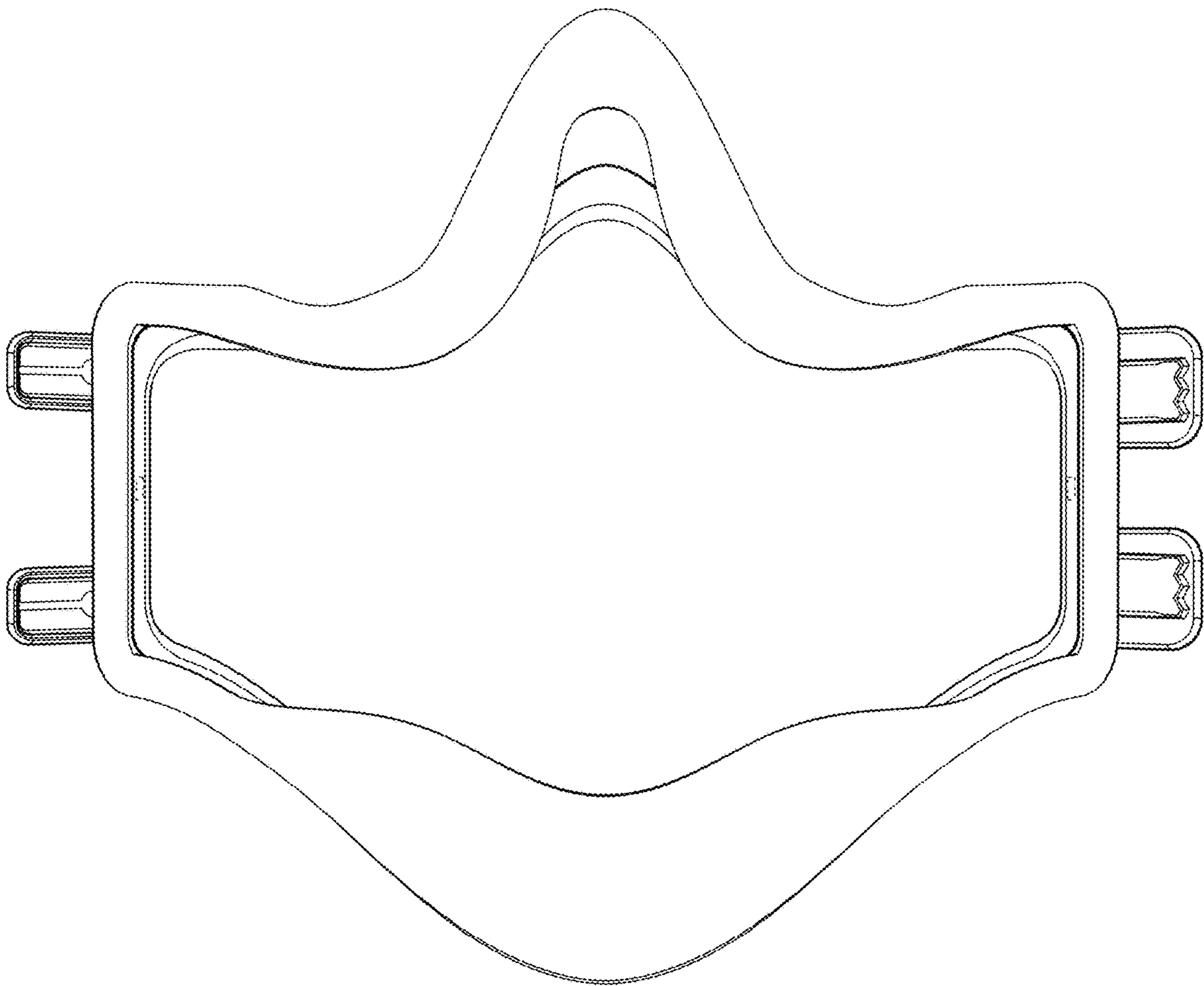
1.7



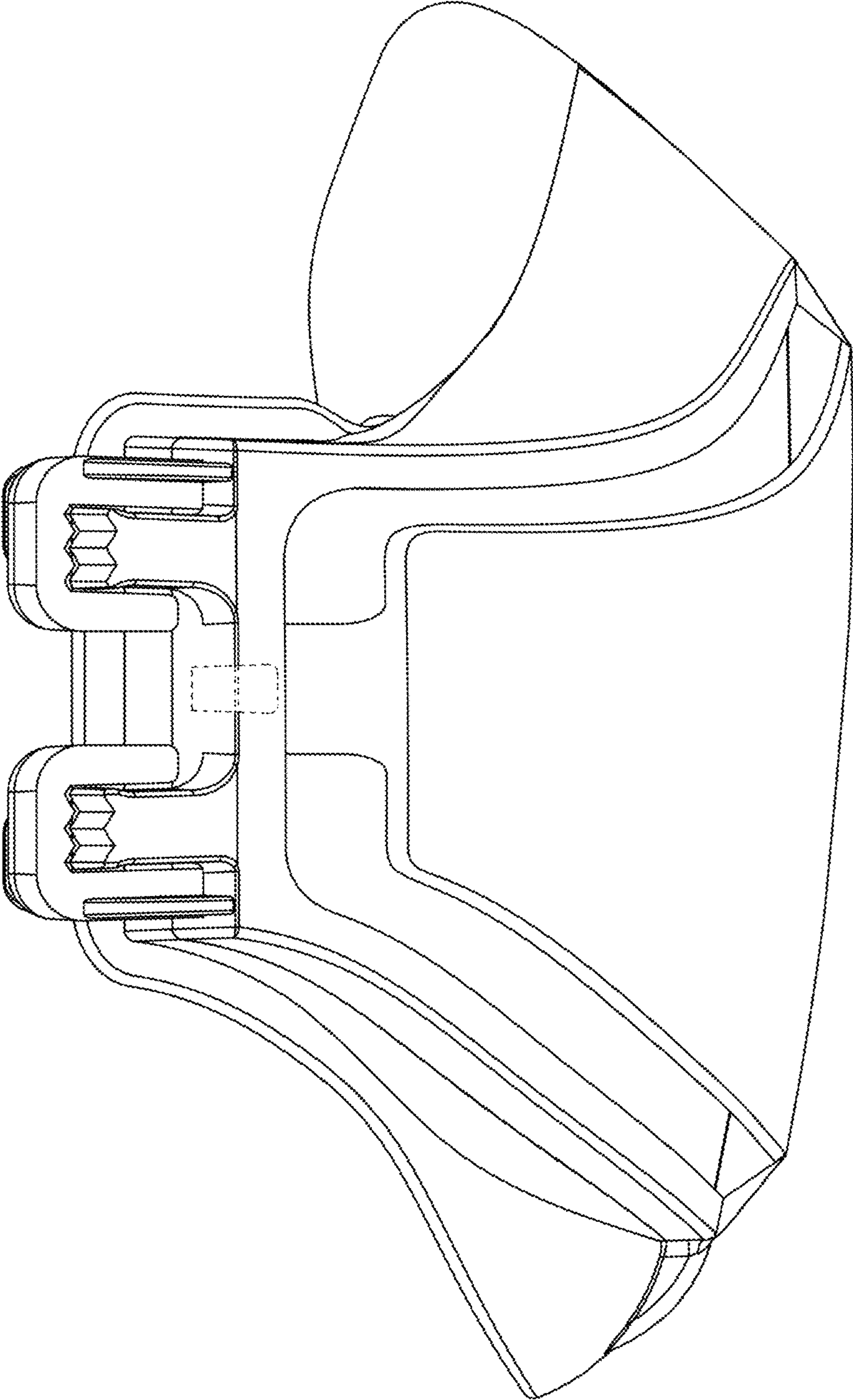
1.8



1.9



1.10



1.11

