



US00D985757S

(12) **United States Design Patent**
Ni

(10) **Patent No.:** **US D985,757 S**

(45) **Date of Patent:** **** May 9, 2023**

(54) **BREAST PUMP**

(71) Applicant: **Jinxiang Ni, Yulin (CN)**

(72) Inventor: **Jinxiang Ni, Yulin (CN)**

(**) Term: **15 Years**

(21) Appl. No.: **29/790,661**

(22) Filed: **Dec. 7, 2021**

(30) **Foreign Application Priority Data**

Nov. 15, 2021 (CN) 202130748425.1

(51) **LOC (14) Cl.** **24-02**

(52) **U.S. Cl.**
USPC **D24/109**

(58) **Field of Classification Search**

USPC D24/107-110.5, 111, 113, 121, 127, 185,
D24/186, 193, 197, 209, 231; D9/436,
D9/455, 500, 549; D7/700; D13/168;
D14/172, 203.2-203.7, 204; D15/7-9
CPC A61M 1/06; A61M 1/062; A61M 1/064;
A61M 2210/1007; A61M 2205/07; A61M
1/80; A61M 1/066; A61J 9/00; A61J
9/001

See application file for complete search history.

(56) **References Cited**

U.S. PATENT DOCUMENTS

D564,087 S * 3/2008 Yodfat D24/111
D565,174 S * 3/2008 Pukall D24/109
D573,249 S * 7/2008 Solberg D24/109
D576,268 S * 9/2008 Solberg D24/109
D645,137 S * 9/2011 Gonzalez D24/108
D683,843 S * 6/2013 Cudworth D24/109
D744,086 S * 11/2015 Yamashita D24/109
D791,955 S * 7/2017 Gilbert D24/185
D809,646 S * 2/2018 Mason D24/109
D828,542 S * 9/2018 Mason D24/109
D832,995 S * 11/2018 Mason D24/109
D853,716 S * 7/2019 Brophy D24/108
D874,642 S * 2/2020 Tanzbro D24/108

D882,061 S * 4/2020 Fang D24/109
D888,225 S * 6/2020 Askem D24/108
D935,599 S * 11/2021 Miller D24/109
D936,823 S * 11/2021 Zhang D24/109
D967,398 S * 10/2022 Gong D24/109

(Continued)

FOREIGN PATENT DOCUMENTS

CN 305983327 * 8/2020

OTHER PUBLICATIONS

Lacti-Cups Breast Shells. Oct. 27, 2013. Site visited Mar. 10, 2023.
[https://www.amazon.com/Lacti-Cups-Collectors-Protects-
Breastfeeding-Breastmilk/dp/B00G8PKEVG/ref=sr_1_10?crd=
2IL54UKVHIJZH&keywords=wearable+breast+pump&qid=
1678486342&s=home-garden&sprefix=wearable+breast+pump%
2Cgarden%2C95&sr=1-10] (Year: 2013).*

(Continued)

Primary Examiner — Wendy L Arminio
Assistant Examiner — Maheen Khurshid
(74) *Attorney, Agent, or Firm* — Jeenam Park

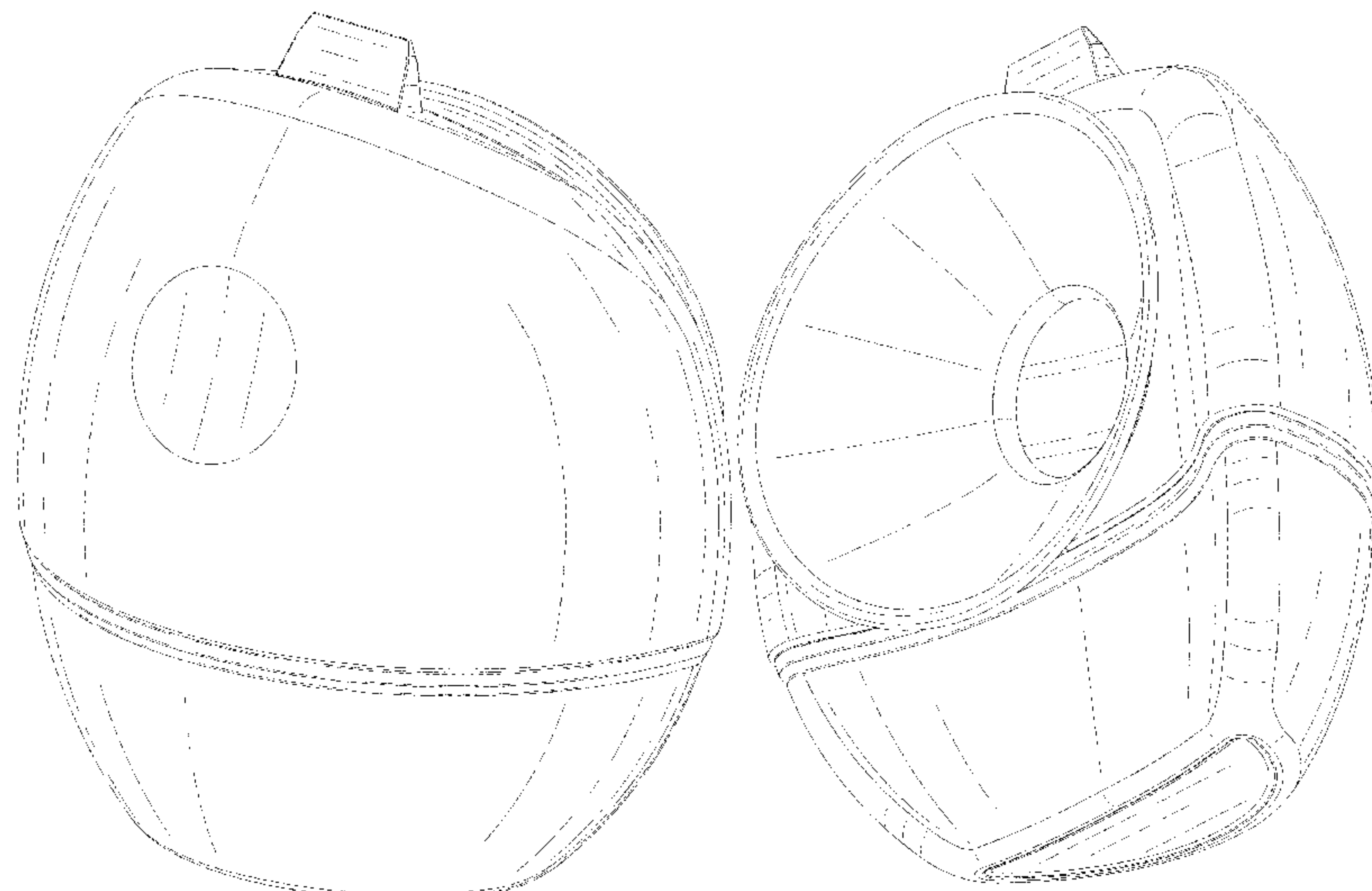
(57) **CLAIM**

The ornamental design for a breast pump, as shown and described.

DESCRIPTION

FIG. 1 is a perspective view of a breast pump, showing my new design;
FIG. 2 is a bottom perspective view thereof;
FIG. 3 is a front view thereof;
FIG. 4 is a rear view thereof;
FIG. 5 is a left side view thereof;
FIG. 6 is a right side view thereof;
FIG. 7 is a top plan view thereof; and,
FIG. 8 is a bottom plan view thereof.
The broken lines in the drawings show portions of the breast pump that form no part of the claimed design.

1 Claim, 8 Drawing Sheets



(56)

References Cited

U.S. PATENT DOCUMENTS

D975,837 S * 1/2023 Yan D24/109
2018/0333523 A1 * 11/2018 Chang A61M 1/0697

OTHER PUBLICATIONS

Missaa Wearable Breast Pump. Dec. 16, 2022. Site visited Mar. 10, 2023. [https://www.amazon.com/MISSAA-Wearable-Efficient-Portable-Electric/dp/B0BQBX9JF8/ref=sr_1_33_sspa?crd=27QJCCBTM35PR&keywords=electric+breast+pump&qid=1678486326&s=baby-products&sprefix=electric+%2Cbaby-products%2C89&sr=1-33-spons&psc=1&spLa=ZW5jcnlwdGVkUXVhbGlmYWVvPUEwWUFZT0IFV09ERjFIJmVuY3J5cHRIZEIkPUEwMzg4NjgwVTBCNzUyUUZQNINNJmVuY3J5cHRIZEFkSWQ9QTA0MjcwNTIyUVZlZlJWQ1NUNDI4JndpZGdlE5hbWU9c3BfYnRmJmFjdGlvbj1jbGlja1JlZGl5ZW50TG9nQ2xpY2s9dHJlZQ==] (Year: 2022).*

* cited by examiner

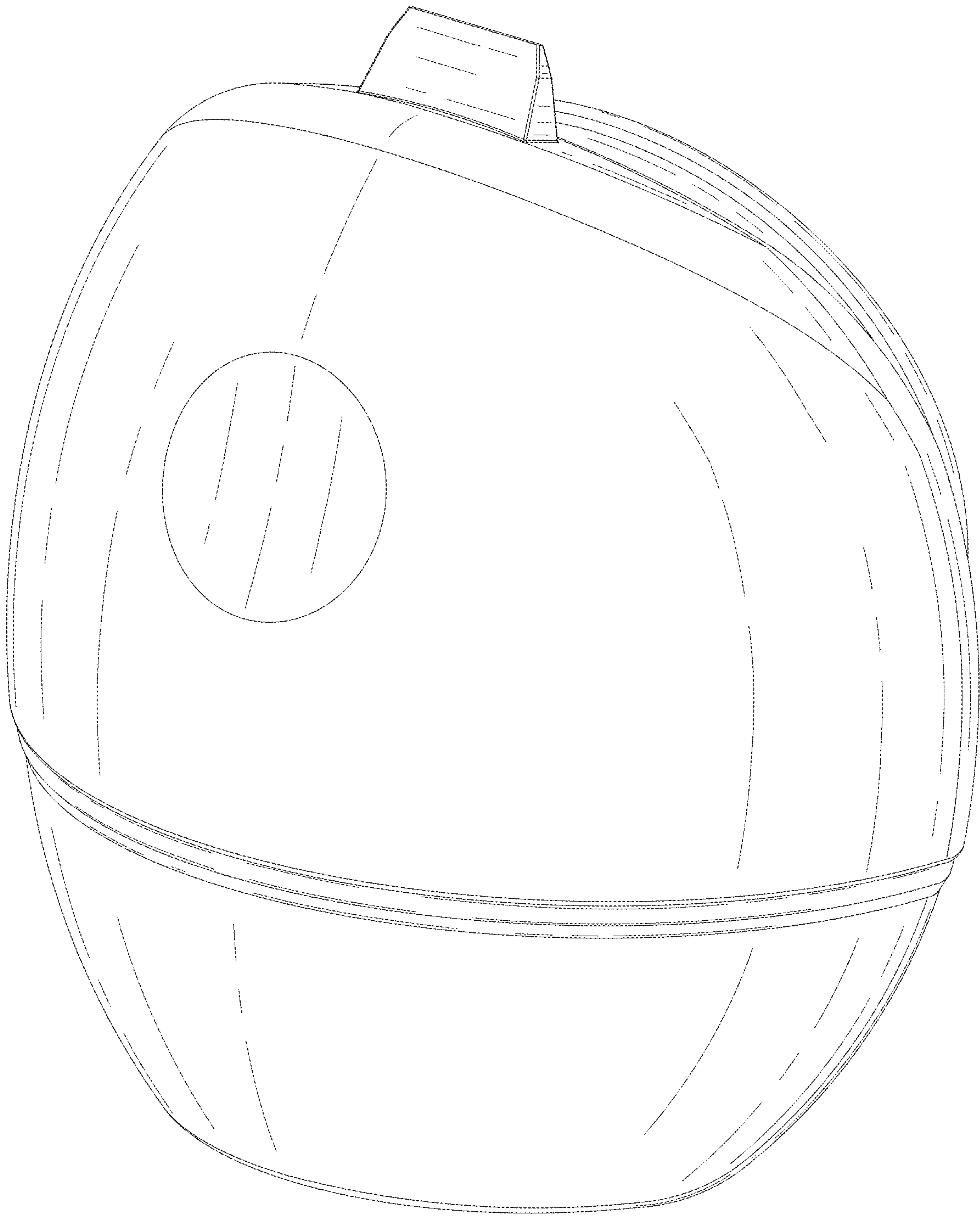


FIG. 1

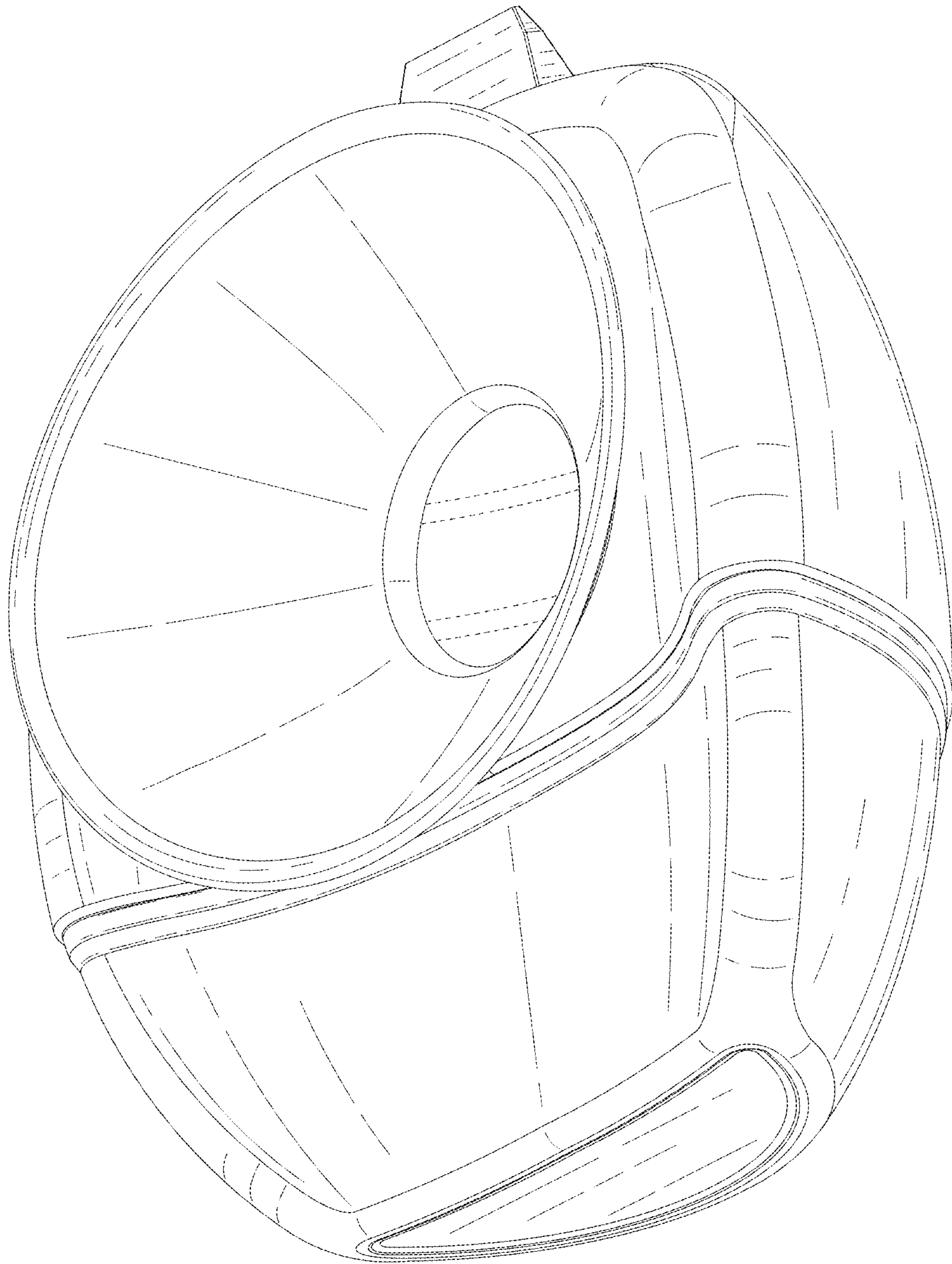


FIG. 2

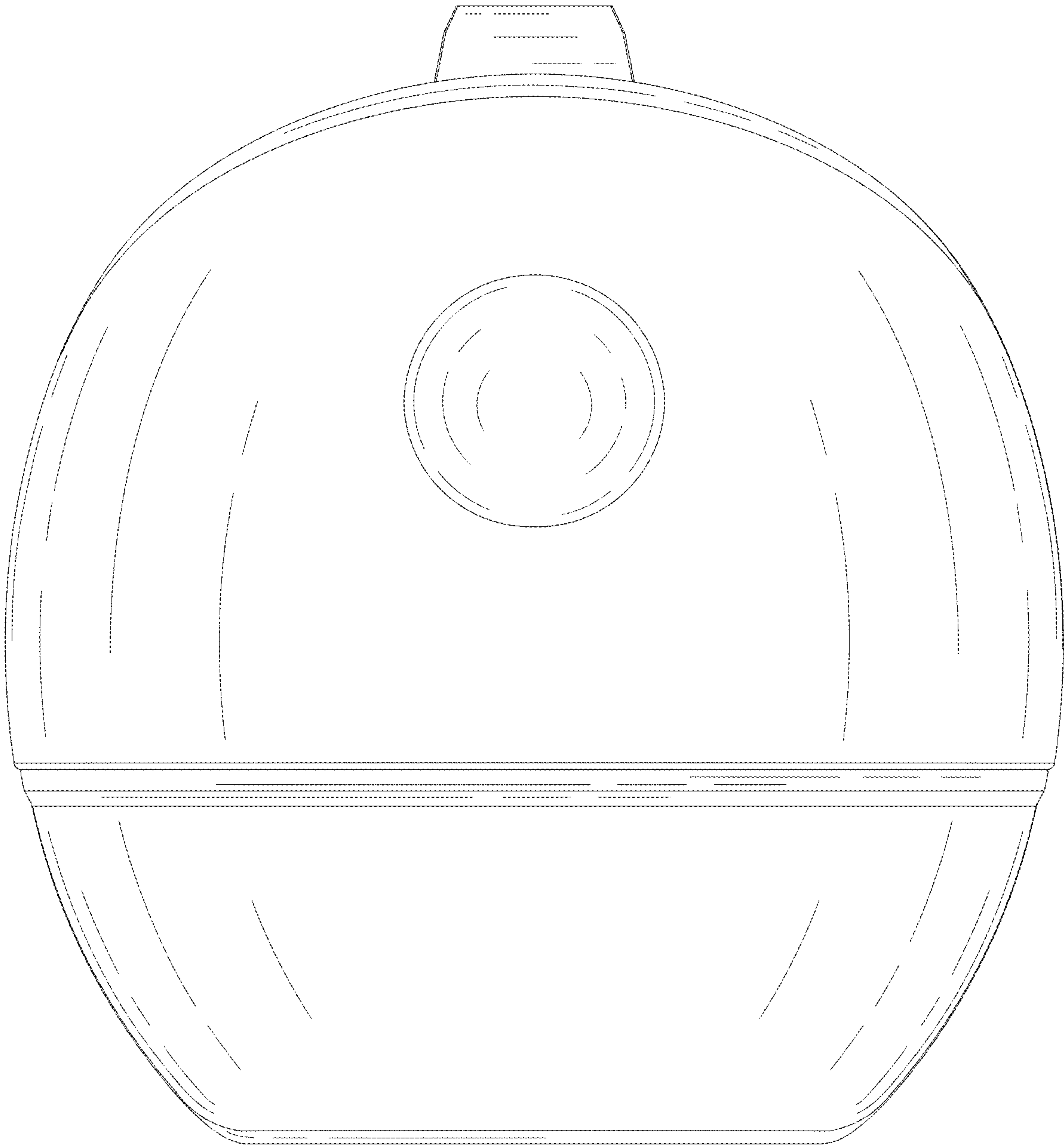


FIG. 3

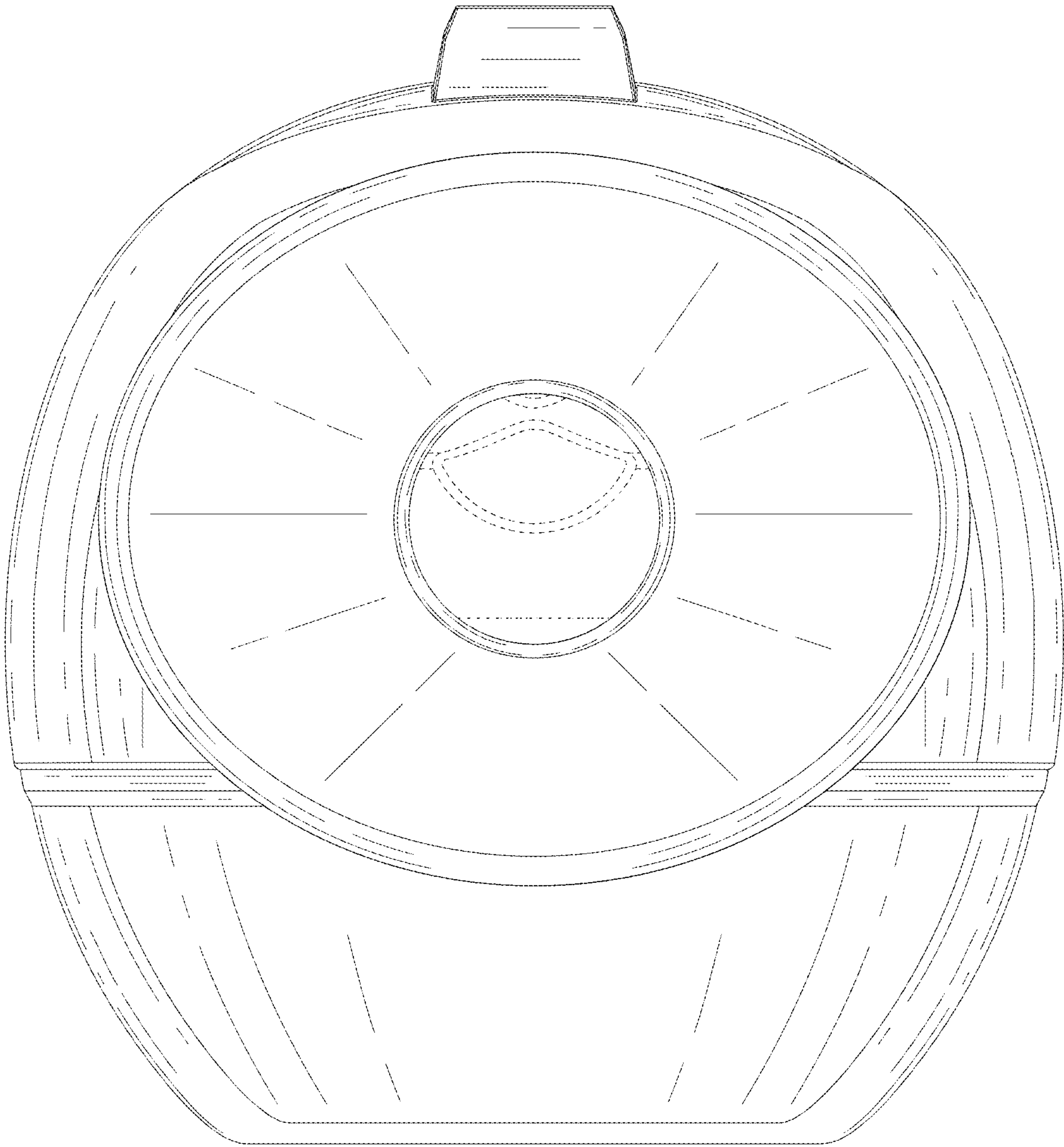


FIG. 4

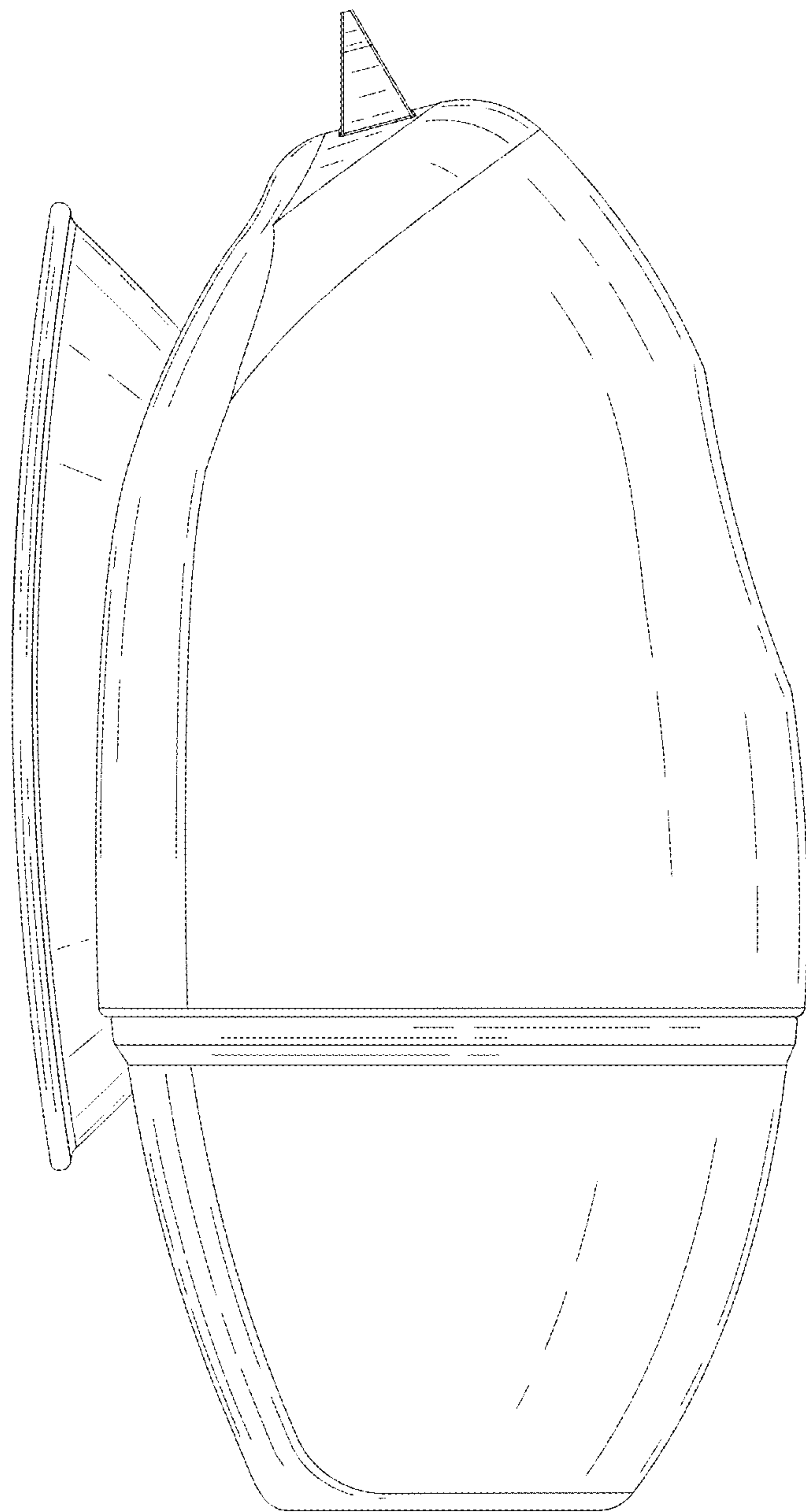


FIG. 5

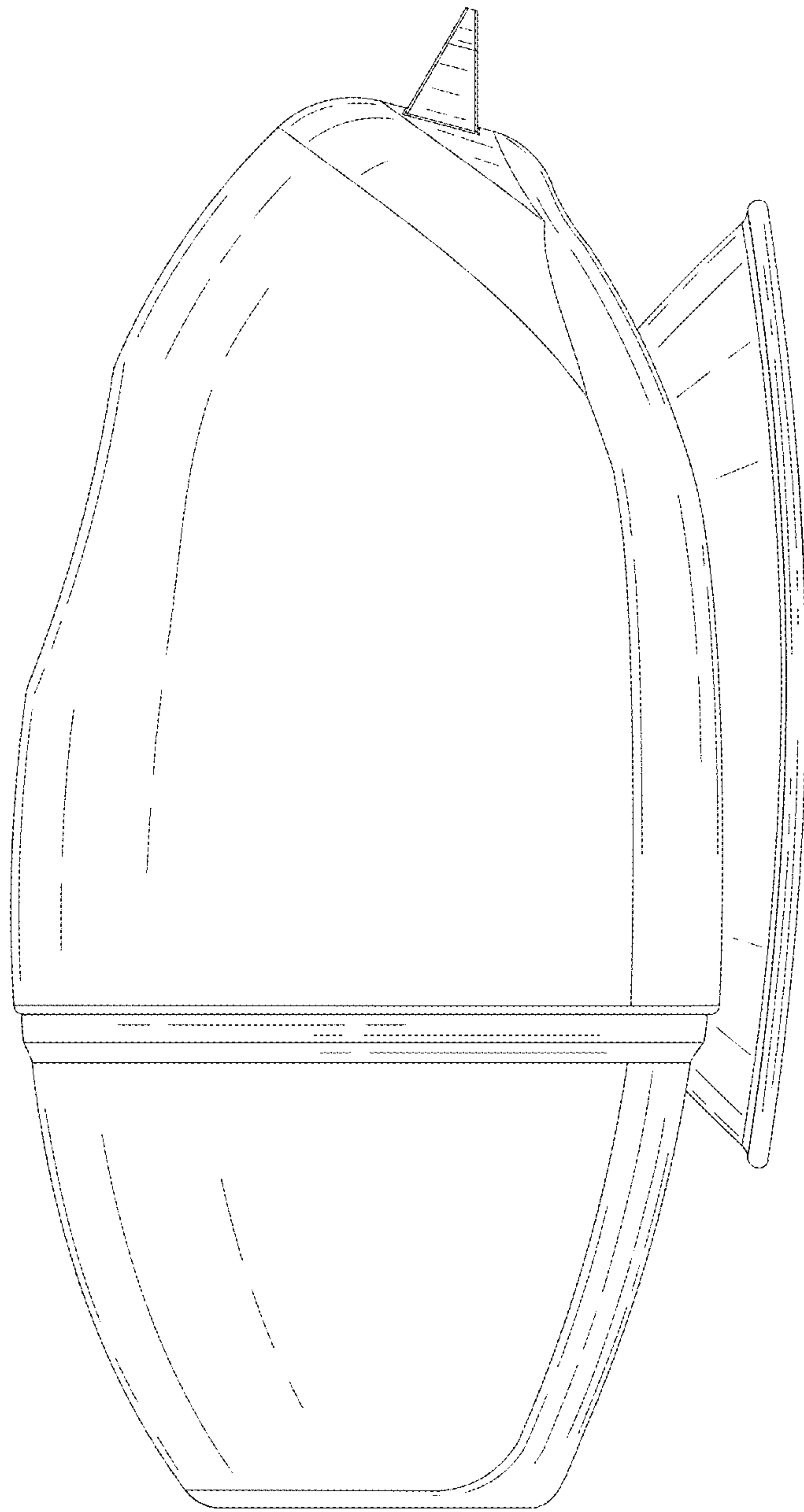


FIG. 6

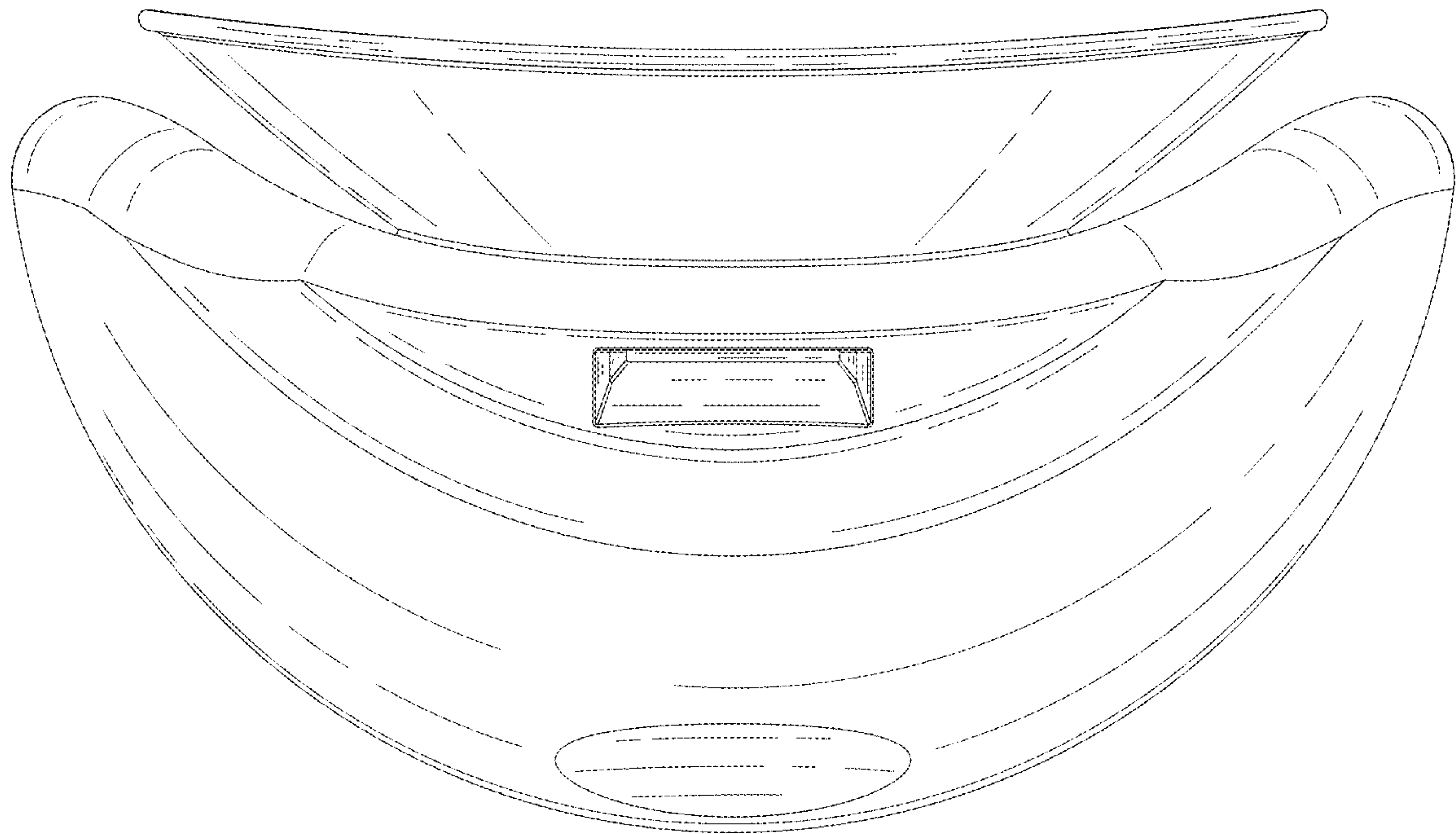


FIG. 7

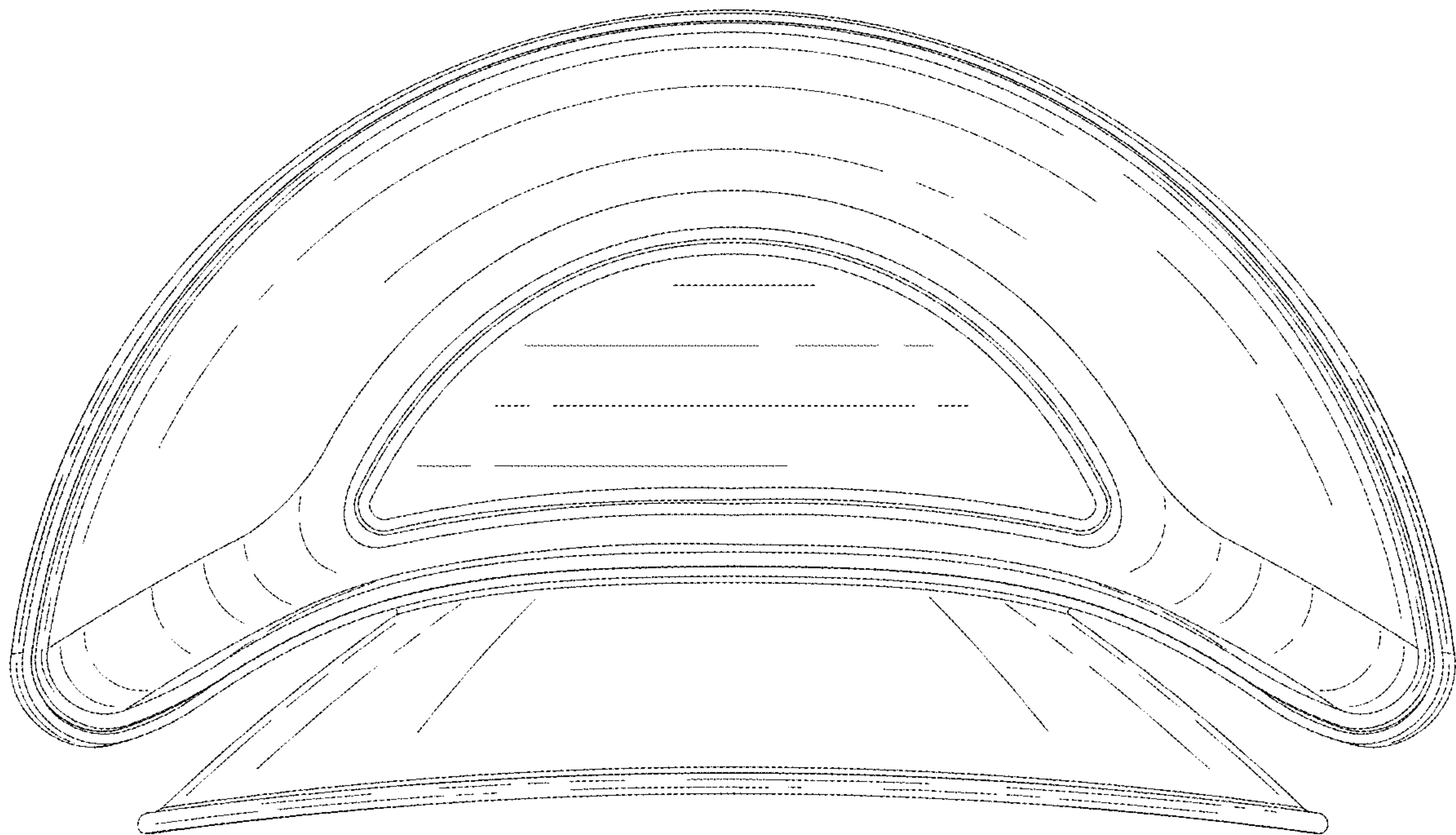


FIG. 8