



US00D985756S

(12) **United States Design Patent** (10) **Patent No.:** **US D985,756 S**  
**Ghodsi et al.** (45) **Date of Patent:** **\*\* May 9, 2023**

- (54) **PUMP**
- (71) Applicant: **Stryker Corporation**, Kalamazoo, MI (US)
- (72) Inventors: **Seyed Behrad Ghodsi**, Paw Paw, MI (US); **Jason Michael Paul**, Kalamazoo, MI (US)
- (73) Assignee: **Stryker Corporation**, Kalamazoo, MI (US)
- (\*\*) Term: **15 Years**
- (21) Appl. No.: **29/749,030**
- (22) Filed: **Sep. 2, 2020**

5,007,124 A	4/1991	Raburn et al.	
5,109,559 A	5/1992	West	
5,179,742 A	1/1993	Oberle	
5,180,619 A	1/1993	Landi et al.	
5,280,657 A	1/1994	Stagg	
5,482,355 A	1/1996	Franzen, Jr.	
5,491,854 A	2/1996	Music	
D374,075 S	9/1996	Lee	
5,611,096 A	3/1997	Bartlett et al.	
5,617,595 A	4/1997	Landi et al.	
5,630,238 A	5/1997	Weismiller	
5,794,289 A	8/1998	Wortman	
D420,737 S	2/2000	Kivlehan	
D424,191 S	5/2000	Sarrazin	
D426,243 S *	6/2000	Wang .....	D15/8
6,115,861 A	9/2000	Reeder et al.	
6,269,504 B1	8/2001	Romano et al.	
6,286,166 B1	9/2001	Henley et al.	
6,367,106 B1	4/2002	Gronsmann	
6,387,065 B1	5/2002	Tumey	
6,430,766 B1	8/2002	Henley	
6,658,676 B1	12/2003	Persson et al.	
6,687,937 B2	2/2004	Harker	
6,701,556 B2	3/2004	Romano et al.	
6,701,558 B2	3/2004	VanSteenburg	
6,718,584 B2	4/2004	Rabaiotti et al.	
6,735,799 B1	5/2004	Eiis et al.	
6,829,796 B2	12/2004	Salvatini et al.	
7,060,213 B2	6/2006	Pearce	
7,191,480 B2	3/2007	Romano et al.	
7,191,482 B2	3/2007	Romano et al.	
7,461,425 B2	12/2008	Chambers et al.	
7,464,425 B2	12/2008	Chambers et al.	
7,469,432 B2	12/2008	Chambers	
7,469,436 B2	12/2008	Meyer et al.	
7,480,953 B2	1/2009	Romano et al.	
D588,160 S	3/2009	Beale et al.	
7,617,555 B2	11/2009	Romano et al.	
7,641,623 B2	1/2010	Biondo et al.	
7,648,392 B2	1/2010	Chambers et al.	
7,666,341 B2	2/2010	Pearce	
7,685,664 B2	3/2010	Stolpmann et al.	
7,712,164 B2	5/2010	Chambers	
7,712,171 B2	5/2010	Butler	
D623,199 S	9/2010	Tu	
D624,093 S	9/2010	Lu	
7,802,332 B2	9/2010	Kummer et al.	
7,886,386 B2	2/2011	Baionick et al.	
7,904,976 B2	3/2011	Hakamiun et al.	
7,914,611 B2	3/2011	Vrzalik et al.	
7,966,680 B2	6/2011	Romano et al.	
8,069,514 B2	12/2011	Poulos et al.	
8,090,478 B2	1/2012	Skinner et al.	

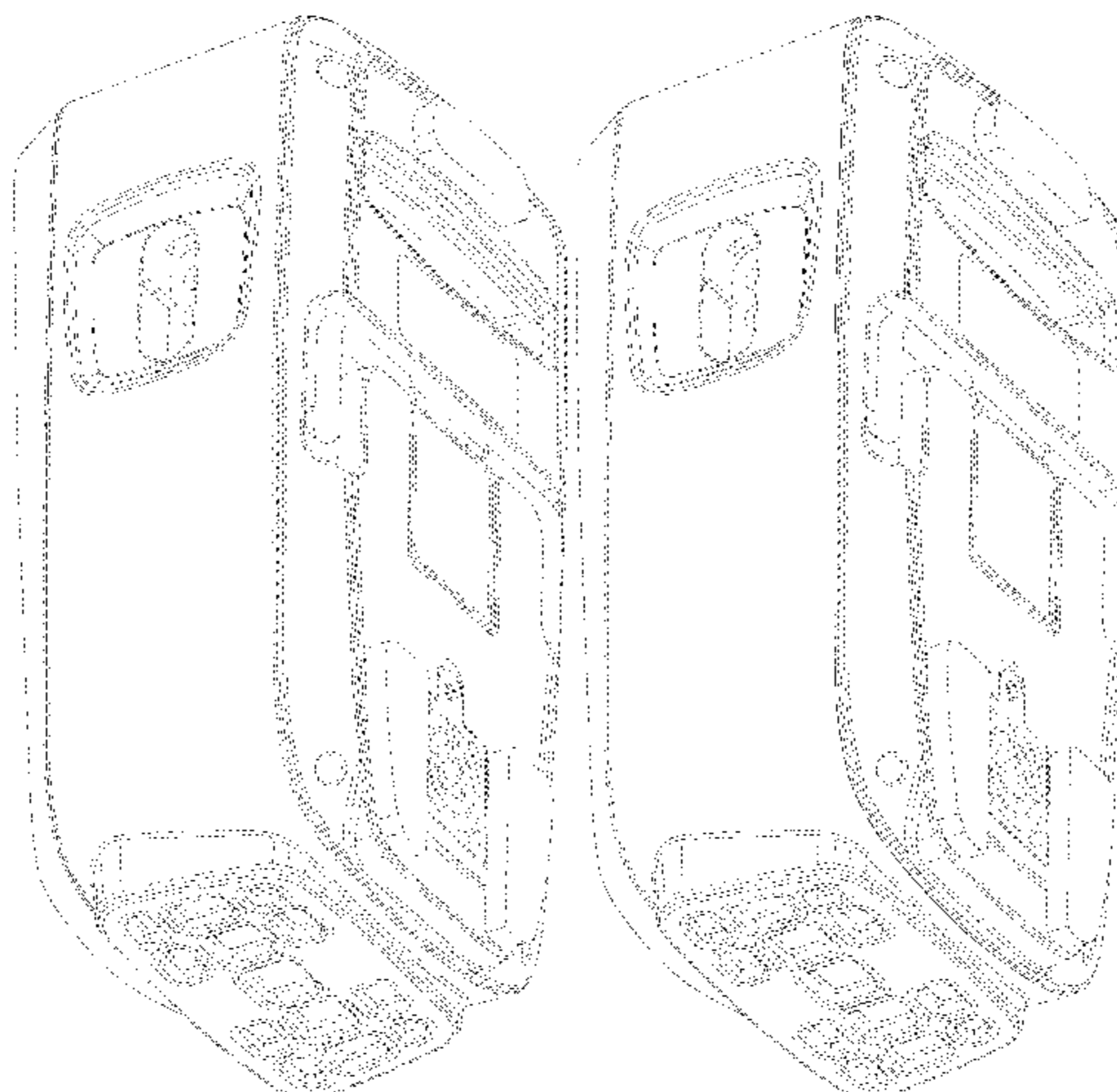
**Related U.S. Application Data**

- (60) Continuation of application No. 29/736,827, filed on Jun. 3, 2020, now Pat. No. Des. 903,094, which is a division of application No. 29/668,572, filed on Oct. 31, 2018, now Pat. No. Des. 890,914.
- (51) **LOC (14) Cl.** ..... **24-01**
- (52) **U.S. Cl.**  
USPC ..... **D24/108; D15/7**
- (58) **Field of Classification Search**  
USPC ..... D24/108, 111-114, 107, 185, 186, 200, D24/231, 164-168; D13/168; D23/356, D23/359, 360, 341, 342; D15/7  
CPC ..... A47C 27/08; A47C 27/082; A61G 7/00; A61G 7/05761; A61G 7/05769; A61G 7/05776  
See application file for complete search history.

**References Cited**

**U.S. PATENT DOCUMENTS**

3,254,348 A	6/1966	Addario
3,940,811 A	3/1976	Tomikawa et al.
4,336,621 A	6/1982	Schwartz
4,605,582 A	8/1986	Sias et al.
4,665,573 A	5/1987	Fiore
4,947,500 A	8/1990	Seiler





8,108,957 B2 2/2012 Richards et al.  
 8,117,701 B2 2/2012 Bobey et al.  
 8,118,920 B2 2/2012 Vrzaiik et al.  
 8,196,241 B2 6/2012 Balonick et al.  
 8,201,292 B2 6/2012 Dionne et al.  
 8,235,922 B2 8/2012 Rowe et al.  
 8,260,475 B2 9/2012 Receveur  
 8,332,979 B2 12/2012 Flick et al.  
 8,372,182 B2 2/2013 Vrzalik et al.  
 8,397,326 B2 3/2013 Lafleche et al.  
 8,429,778 B2 4/2013 Receveur et al.  
 8,434,748 B1 5/2013 Pearce et al.  
 8,437,876 B2 5/2013 Receveur et al.  
 8,490,233 B2 7/2013 Essers  
 8,572,778 B2 11/2013 Newkirk et al.  
 8,601,620 B2 12/2013 Romano et al.  
 8,620,477 B2 12/2013 Skinner et al.  
 8,628,067 B2 1/2014 Pearce et al.  
 8,689,373 B2 4/2014 Caines  
 8,712,591 B2 4/2014 Receveur  
 8,745,788 B2 6/2014 Bhai  
 D709,183 S \* 7/2014 Kemlein ..... D24/111  
 8,844,079 B2 9/2014 Skinner et al.  
 8,845,562 B2 9/2014 Receveur et al.  
 8,918,930 B2 12/2014 Stroh et al.  
 8,919,750 B2 12/2014 Pearce et al.  
 9,009,891 B2 4/2015 Receveur et al.  
 9,009,892 B2 4/2015 Lachenbruch et al.  
 9,049,943 B2 6/2015 Caminade et al.  
 9,107,511 B2 8/2015 Skinner et al.  
 D745,167 S \* 12/2015 Canas ..... D24/186  
 D748,271 S \* 1/2016 Clowry ..... D24/186  
 9,254,231 B2 2/2016 Vrzaiik et al.  
 D752,763 S 3/2016 Rondoni et al.  
 9,315,648 B2 4/2016 Nilson et al.  
 9,320,664 B2 4/2016 Newkirk et al.  
 9,358,168 B2 6/2016 Williamson et al.  
 9,414,977 B2 8/2016 Ponsi et al.  
 9,462,893 B2 10/2016 Romano et al.  
 9,526,348 B2 12/2016 Richards et al.  
 9,526,349 B2 12/2016 Lafleche et al.  
 9,655,457 B2 5/2017 Meyer et al.  
 9,707,141 B2 7/2017 Bobey et al.  
 D801,538 S 10/2017 Rondoni et al.  
 9,835,344 B2 12/2017 Vrzaiik et al.  
 9,849,051 B2 12/2017 Newkirk et al.  
 D810,145 S 2/2018 Sinico  
 D810,306 S \* 2/2018 Rondoni ..... D24/186  
 D812,758 S 3/2018 Yoon  
 9,907,408 B2 3/2018 Vrzalik et al.  
 9,907,718 B2 3/2018 Weitzel et al.  
 9,913,770 B2 3/2018 Lachenbruch et al.  
 9,943,172 B2 4/2018 Lachenbruch et al.  
 D828,574 S \* 9/2018 Fujiwara ..... D24/186  
 D831,822 S \* 10/2018 Guillermo ..... D24/112  
 D852,976 S \* 7/2019 Newberg ..... D24/216  
 D855,658 S 8/2019 Zhang  
 D884,156 S \* 5/2020 Haug ..... D24/111  
 D890,914 S 7/2020 Ghodsi et al.  
 D903,094 S \* 11/2020 Ghodsi ..... D15/7  
 D908,893 S \* 1/2021 Xia ..... D24/186  
 D916,934 S \* 4/2021 Sun ..... D15/7  
 D926,822 S \* 8/2021 Brouillet ..... F02M 37/04  
 D927,681 S \* 8/2021 Shen ..... D24/110  
 D951,302 S \* 5/2022 Van Stell ..... D15/7  
 D954,281 S \* 6/2022 Hsu ..... D24/200  
 2006/0005314 A1 1/2006 Lee  
 2007/0143928 A1 6/2007 Biggie et al.  
 2008/0040860 A1 2/2008 Price et al.  
 2009/0013470 A1 1/2009 Richards et al.  
 2010/0076356 A1 3/2010 Biondo et al.  
 2010/0212087 A1 8/2010 Leib et al.  
 2011/0163885 A1 7/2011 Poulos et al.  
 2013/0014324 A1 1/2013 Receveur et al.  
 2013/0231596 A1 9/2013 Hornbach et al.  
 2014/0031730 A1 1/2014 Hornbach et al.  
 2015/0074914 A1 3/2015 Caminade  
 2015/0164720 A1 6/2015 Gibson et al.

2016/0157631 A1 6/2016 Milnes et al.  
 2016/0184154 A1 6/2016 Lafleche et al.  
 2016/0326674 A1 11/2016 Goijarts et al.  
 2016/0356676 A1 12/2016 Sauser et al.  
 2016/0361215 A1 12/2016 Gibson et al.  
 2017/0027791 A1 2/2017 McKnight et al.  
 2017/0151113 A1 6/2017 Lachenbruch et al.  
 2017/0251824 A1 9/2017 Pearce  
 2017/0251825 A1 9/2017 Pearce  
 2017/0254379 A1 9/2017 Whatcott  
 2018/0104123 A1 4/2018 Newkirk et al.  
 2018/0369038 A1 12/2018 Bhimavarapu et al.  
 2021/0338931 A1 \* 11/2021 Argersinger ..... A61M 5/16854

FOREIGN PATENT DOCUMENTS

CN 2251310 Y 4/1997  
 GB 2405582 A 3/2005  
 WO 9507679 A2 3/1995  
 WO 02065877 A1 8/2002  
 WO 2013086197 A1 6/2013

OTHER PUBLICATIONS

Stryker Medical, “Eole DC Powered Support Surface Ref 2871 Operations/Maintenance Manual”, Dec. 2017, 288 pages.  
 Stryker Medical, “Eole Powered Support Surface Ref 2870 Operations/Maintenance Manual”, Dec. 2017, 288 pages.  
 Stryker Medical, “IsoAir Ref 2940 Service Manual”, Rev. 1.0, Nov. 2016, 144 pages.  
 Stryker Medical, “IsoFlex LAL Support Surface Ref 2860 Operations/Maintenance Manual”, Rev. C, Aug. 2017, 28 pages.  
 Stryker Medical, “IsoFlex LAL Support Surface Specification Sheet”, Rev. D.3, 2016, 2 pages.  
 Stryker Medical, “Isoflex Pressure Management Mattress Instructions for Use”, Rev. A, Jun. 2010, 2 pages.  
 Stryker Medical, “IsoFlex SE Support Surface Ref 1806 Operations Manual”, Rev. C, Sep. 2016, 20 pages.  
 Stryker Medical, “IsoGel Air Support Surface Ref 2860 Operations Manual”, Rev. F, May 2015, 25 pages.  
 Stryker Medical, “IsoGel Support Surface Dimensional Gel Technology Specification Sheet”, Dec. 2013, 2 pages.  
 Stryker Medical, “Isolibrium Support Surface Ref 2971 Operations/Maintenance Manual”, Rev. B, Oct. 2014, 202 pages.  
 Stryker Medical, “Isolibrium Support Surface Ref 2971 Operations/Maintenance Manual”, Rev. C, May 2014, 200 pages.  
 Stryker Medical, “Isolibrium Support Surface Specification Sheet”, Rev. E.4, Nov. 2013, 2 pages.  
 Stryker Medical, “Isolibrium Support Surface Version 4.0, Ref 2971, Ref 2972 Maintenance Manual”, Rev. B, May 2017, 88 pages.  
 Stryker Medical, “Isolibrium Support Surface Version 4.0, Ref 2971, Ref 2972 Maintenance Manual”, Rev. C, May 2017, 88 pages.  
 Stryker Medical, “Isolibrium Support Surface Version 4.0, Ref 2971, Ref 2972 Maintenance Manual”, Rev. C.2, Jul. 2017, 88 pages.  
 Stryker Medical, “Mattress Assembly Page—2235-100-001—Bariatric Bed Model 2230”, Rev. A, Nov. 2008, 2 pages.  
 Stryker Medical, “P100/Sof Care Pump Ref 2880, Ref 2890 Service Manual”, Oct. 2017, 8 pages.  
 Stryker Medical, “Position Pro Therapy Mattress Model 2920 Operations/Maintenance Manual”, Rev. A, Feb. 2007, 55 pages.  
 Stryker Medical, “PositionPro Patient Repositioning Support Surface-Standalone with Pendant or Integrated with FL27 InTouch CC Model Beds Ref 2920 Maintenance Manual”, Rev. A, Oct. 2016, 56 pages.  
 Stryker Medical, “PositionPro Patient Repositioning Support Surface-Standalone with Pendant or Integrated with FL27 InTouch CC Model Beds Ref 2920 Maintenance Manual”, Rev. G, Oct. 2016, 42 pages.  
 Stryker Medical, “Pressure Management—Dynamic Mattress System 2500 Operations/Maintenance Manual”, published at least prior to Sep. 2018, 17 pages.



- Stryker Medical, "Pressure Management—Dynamic Mattress System 2500 Operations/Maintenance Manual", published at least prior to Sep. 2018, 23 pages.
- Stryker Medical, "ProForm Non-Powered Support Surface Model 2710 Operations/Maintenance Manual", Rev. G, Sep. 14, 2015, 134 pages.
- Stryker Medical, "Save Simply Brochure", 2018, 2 pages.
- Stryker Medical, "Sof Care Chair Cushion Ref 2770-100-000 Operations Manual", Rev. D, Apr. 2016, 1 page.
- Stryker Medical, "Sof Care DuoGard Overlay Brochure", 2015, 3 pages.
- Stryker Medical, "SofCare Healthcare Boot, Ref 2760-100-000, Ref 2760-200-000, Ref 2760-300-000 Operations Manual", Rev. C, Mar. 2016, 2 pages.
- Stryker Medical, "SofCare HeelCare Boot Series Specification Sheet", Rev. B.3, Aug. 2011, 2 pages.
- Stryker Medical, SofCare Stretcher Overlay Ref 2780-400-000, Ref 2780-500-000 Operations Manual, Rev. B, Dec. 2014, 2 pages.
- Stryker Medical, "SPR Plus Low Air Loss Overlay 3-Layer Technology Specification Sheet", Rev. D.2, Aug. 2011, 2 pages.
- Stryker Medical, "SPR Plus Overlay Ref 2790-100-000 Operations Manual", Rev. B, Dec. 2014, 2 pages.
- Stryker Medical, "Stryker Air I, Stryker Air II Low Air Loss Therapy Mattress (LAL), Model 2236 Operations/Maintenance Manual", Rev. B, May 2009, 30 pages.
- Stryker Medical, "Stryker Air Pump REF 2861 Operation/Maintenance Manual", Rev. 2.0, Jun. 2016, 24 pages.
- Stryker Medical, "Stryker Air Pump Ref 2861 Service Manual", Rev. 2.0, Jun. 2016, 58 pages.
- Stryker Medical, "Stryker IsoAir REF 2940 Operation/Maintenance Manual", Rev. 4.00, Dec. 2015, 52 pages.
- Stryker Medical, "Ultra Comfort SE Support Surface Ref. 1703; Ref. 1704 Operations Manual", Rev. D, May 2017, 40 pages.
- Stryker Medical, "XPRT Pulmonary Therapy & Wound Care Mattress Model 2950 Operations/Maintenance Manual", Rev. C, Aug. 2007, 114 pages.
- Stryker Medical, "XPRT Therapeutic Support Surface Ref 2950 Operations/Maintenance Manual", Rev. B, Jun. 2012, 468 pages.
- Stryker Medical, XPRT Therapy Mattress Model 2950 Operations Manual, Rev. A, Jul. 2006, 98 pages.
- Stryker Medical, "XPRT Therapy Mattress Model 2950 Operations/Maintenance Manual", Rev. A, May 2006, 98 pages.
- Stryker Medical, "XPRT Therapy Mattress Model 2950 Operations/Maintenance Manual", Rev. H, Jun. 2006, 98 pages.
- Stryker Medical, "DuoGard Overlay Ref 2780-300-000 Operations Manual", Rev. B, Dec. 2014, 1 page.
- Stryker, "Introducing IsoTour Gel Support Surface Brochure", Nov. 5, 2018, [https://www.stryker.com/content/stryker/acute-care/products/isotour/resources/IsoTour\\_Brochure\\_mkt%20lit-1692.pdf](https://www.stryker.com/content/stryker/acute-care/products/isotour/resources/IsoTour_Brochure_mkt%20lit-1692.pdf), 6 pages.
- Stryker, "IsoTour Pump Operations Manual", Jul. 2019, [https://techweb.stryker.com/Support\\_Surfaces/2874/operation/2874-009-001\\_B.pdf](https://techweb.stryker.com/Support_Surfaces/2874/operation/2874-009-001_B.pdf), 64 pages.
- The Scenic Life, "Review: Sleep Number AirFit Adjustable Pillow with CoolFit Foam", Mar. 9, 2012, <https://web.archive.org/web/20150419050756/http://thesceniclife.com/2012/03/09/review-sleep-number-airfit-adjustable-pillow-coolfit-foam/>, 4 pages.
- Design U.S. Appl. No. 29/736,827, filed Jun. 3, 2020.
- Direct Healthcare Services Ltd., "Dyna-Form Low Air Loss System User Manual", Version 01, Mar. 1, 2013, 16 pages.
- Drive, "Med Aire Plus 8" Alternating Pressure and Low Air Loss Mattress Replacement System Operator's Manual", Item #14029, Control Unit 14029XP), Rev. 4, Mar. 15, 2016, 20 pages.
- English language abstract and machine-assisted English translation for CN 2251310 extracted from espacenet.com database on Feb. 15, 2019, 5 pages.
- Gaymar Industries Inc., "Air Express Alternating Low Pressure Therapy Operator's Manual", Apr. 2012, 113 pages.
- Gaymar Industries Inc., "Air Express C1000DF Service Manual", Jul. 2007, 16 pages.
- Gaymar Industries Inc., "Air Express LAL P1500 Low Air Loss Therapy System Operator's Manual", Rev. B, Apr. 2010, 32 pages.
- Gaymar Industries Inc., "Aire Twin Alternating Pressure and Low-Loss Therapy Mattress Replacement Systems ATC80, ATM500, ATM800, ATW5000, ATW8000 Operator's Manual", May 2005, 8 pages.
- Gaymar Industries Inc., "Auto Aire Select Dynamic Low-Air Loss Therapy Service Manual", Rev. A, Apr. 2010, 28 pages.
- Gaymar Industries Inc., Auto Aire Select Dynamic Low-Air Loss Therapy With Alternating Pressure and Active Sensor Technology Ref C2500MES Control Unit, Ref M2500S Series Mattress, Ref X3580S Operator's Manual Rev. B, Sep. 2010, 42 pages.
- Gaymar Industries Inc., "Auto Aire Select Dynamic Low-Air Loss Therapy With Alternating Pressure and Active Sensor Technology Ref C2500MS Control Unit, Ref M2500S Series Mattress, Ref Auto Aire Select Safety Mattress Service Manual", Rev. B, Sep. 2010, 14 pages.
- Gaymar Industries Inc., "Auto Sure-Float Ref C1000MS/C1000MES Control Unit; Ref M1001S/M1002S Series Mattress Operator's Manual", Rev. B, Sep. 2010, 128 pages.
- Gaymar Industries Inc., "Clini-Dyne Lateral Rotation System CLP2000 Control Unit, CLM Series Mattress Service Manual", Rev. A, Oct. 2010, 18 pages.
- Gaymar Industries Inc., "Clini-Dyne Rotational Therapy System CLP2000 Control Unit, CLM Series Mattress Operator's Manual", Rev. A, Oct. 2010, 8 pages.
- Gaymar Industries Inc., "EFF302 Alternating Pad instructions", Rev. A, Jan. 2010, 1 page.
- Gaymar Industries Inc., "Instructions for Use Sof Care Mattress Series", Rev. A, May 2010, 12 pages.
- Gaymar Industries Inc., "O2 Zoned Multi-Functional Portable Rotation System R4000, P4001, C4000 Series Control Unit, M4000 Series Mattress Operator's Manual", Rev. B, Oct. 2010, 12 pages.
- Gaymar Industries Inc., "Paradise Pump PAR 30 Config F Alternating Pressure Pump Functional Check Instructions", Rev. A, Apr. 2007, 1 page.
- Gaymar Industries Inc., "Paradise Pump Series Operator's Manual", Sep. 2005, 8 pages.
- Gaymar Industries Inc., "Plexus O2 Zoned Multi-Functional Portable Rotation System C4000 Series Control Unit, M4000 or M4001 Series Mattress Service Manual", Rev. A, Oct. 2010, 40 pages.
- Gaymar Industries Inc., "Plexus Ref P102 Plexus Jr. Alternating Pressure System, Ref C102 Plexus Jr. APM Control Unit, Ref M100 Alternating Pressure Mattress Overlay Instructions for Use", Rev. C, Apr. 2012, 20 pages.
- Gaymar Industries Inc., "Pressure Pedic Pressure Redistribution Mattress Instructions for Use", Rev. B, Dec. 2009, 2 pages.
- Gaymar Industries Inc., "SC505 Sof Care Inflator Operating Instructions and Service Manual", Rev. C, Oct. 2010, 8 pages.
- Gaymar Industries Inc., "Sof Care Bed Cushions Instructions for Use", Sep. 1993, 2 pages.
- Gaymar Industries Inc., "Sof Matt Low Air Loss Mattress System Operator's Manual/Service Manual", Oct. 2010, 40 pages.
- Gaymar Industries Inc., "Symmetric Aire Mattress Ref SYM3000 Series Instructions for Use", Apr. 2012, 3 pages.
- Gaymar Industries, "Symmetric Aire Mattress Ref SYM3000 Series Service Document", Rev. A, Jun. 2010, 2 pages.
- Hill-Rom, "300 Wound Surface Prevention and Treatment Surfaces Brochure", Rev. 2, May 18, 2010, 2 pages.
- Hill-Rom, "Hill-Rom P500 Therapy Surface Product No. P005723 and P005787 User Manual", Rev. 3, 2010, 54 pages.
- Hill-Rom, Synergy Air Elite Low Air Loss Therapy Brochure, Rev. 2, Dec. 30, 2008, 4 pages.
- Hill-Rom, "Synergy Air Elite Low Air Loss Therapy Webpage", <https://homecare.hill-rom.com/en/durable-medical-equipment/therapy-mattresses/therapy-mattresses/synergy-air-elite-low-air-loss-therapy/>, 2019, 2 pages.
- Invacare Corporation, "MicroAir MA90 Series-Owner's Operator and Maintenance Manual", 2008, 28 pages.
- Kap Medical, "Digital Alternating Pressure True LAL System Brochure", 2013, 2 pages.
- Medline, "Z-Flo Positioner/Covers by Molnlycke", <http://www.medline.com/product/Z-Flo-Positioners-by-Sundance-Enterprises-Inc/Z05-PF70265>, 2016, 1 page.



Molnlycke Health Care AB, “Turning and Positioning Webpage”, <http://molnlycke.us/products-solutions/turning-and-positioning-system/> formerly known as <http://sundancesolutions.com/>, 2016, 2 pages.

Plexus Medical, “O2 Zoned C4000 Portable Rotation System; CareMedx C5000 Multi-Zoned Low Air Loss Therapy System Service Manual”, published at least prior to Sep. 2018, 58 pages.

Plexus Medical, “Plexus C1000D Series Control Unit Service Manual”, published at least prior to Sep. 2018, 20 pages.

Plexus Medical, “Plexus P1500 Air Express LAL System Service Manual”, published at least prior to Sep. 2018, 17 pages.

Sage Products, “Pressure Injury and Safe Patient Handling Solutions—Prevalon Mobile Air Transfer Systems; Prevalon Turn & Position Systems; Prevalon Heel Protectors; Prevalon Seated Positioning System Brochure”, 2017, 20 pages.

Sage Products, “Prevalon Air Pump Brochure”, 2017, 1 page.

Sage Products, “Prevalon AirTap Patient Repositioning System Operator’s Manual”, 2016, 10 pages.

Sage Products, “Prevalon AirTap XXL Patient Repositioning System Brochure”, 2018, 4 pages.

Sage Products, “Prevalon Standard Turn and Position System Instructions for Use”, 2016, 1 page.

Sage Products, “Prevalon Turn and Position System 2.0 Instructions for Use”, 2016, 1 page.

Sage Products, “Sage Product Catalog—Pressure Injury Prevention and Safe Patient Handling”, 2018, 4 pages.

Stryker Medical, “Arise 1000 EX Low Air-Loss Bariatric Surface Specification Sheet”, Rev. B, 2008, 2 pages.

Stryker Medical, “Arise 1000EX Low Air Loss Therapy Mattress Model 2236 Operations/Maintenance Manual”, Rev. B, May 2009, 30 pages.

Stryker Medical, “ComfortGel SE Support Surface Ref 1805 Operations Manual”, Rev. C, Sep. 2016, 18 pages.

Stryker Medical, “ComfortGel Support Surface Ref 2850 Operations Manual”, Rev. A, Aug. 2017, 22 pages.

Stryker Medical, “ComfortGel Support Surface Specification Sheet”, Rev. E.6, Dec. 2011, 2 pages.

Stryker Medical, “Eole / Eole DC Pump Ref 2870, Ref 2871 Service Manual”, Oct. 2017, 16 pages.

\* cited by examiner

*Primary Examiner* — Daniel J Domino  
*Assistant Examiner* — Lee D. Starr

(74) *Attorney, Agent, or Firm* — Howard & Howard Attorneys PLC

(57)

**CLAIM**

The ornamental design for a pump, as shown and described.

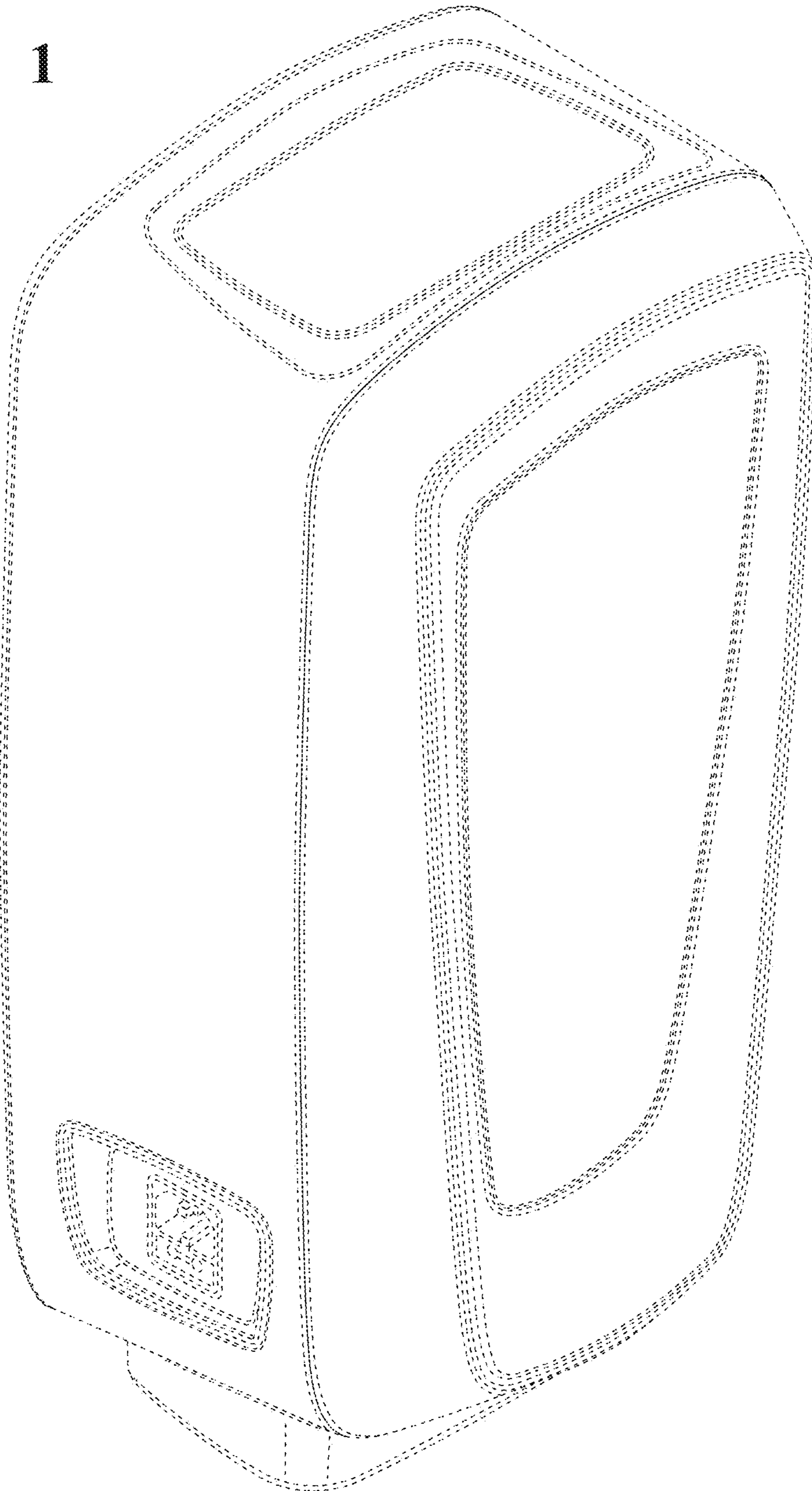
**DESCRIPTION**

FIG. 1 is a top front, left side perspective view of a first embodiment of a pump showing our new design;  
 FIG. 2 is a bottom, rear, right side perspective view thereof;  
 FIG. 3 is a front view thereof;  
 FIG. 4 is a right side view thereof;  
 FIG. 5 is a left side view thereof;  
 FIG. 6 is a rear view thereof;  
 FIG. 7 is a top view thereof; and  
 FIG. 8 is a bottom view thereof.  
 FIG. 9 is a top front, left side perspective view of a second embodiment of a pump showing our new design;  
 FIG. 10 is a bottom, rear, right side perspective view thereof;  
 FIG. 11 is a front view thereof;  
 FIG. 12 is a right side view thereof;  
 FIG. 13 is a left side view thereof;  
 FIG. 14 is a rear view thereof;  
 FIG. 15 is a top view thereof; and  
 FIG. 16 is a bottom view thereof.  
 FIG. 17 is a top front, left side perspective view of a third embodiment of a pump showing our new design;  
 FIG. 18 is a bottom, rear, right side perspective view thereof;  
 FIG. 19 is a front view thereof;  
 FIG. 20 is a right side view thereof;  
 FIG. 21 is a left side view thereof;  
 FIG. 22 is a rear view thereof;  
 FIG. 23 is a top view thereof; and,  
 FIG. 24 is a bottom view thereof.

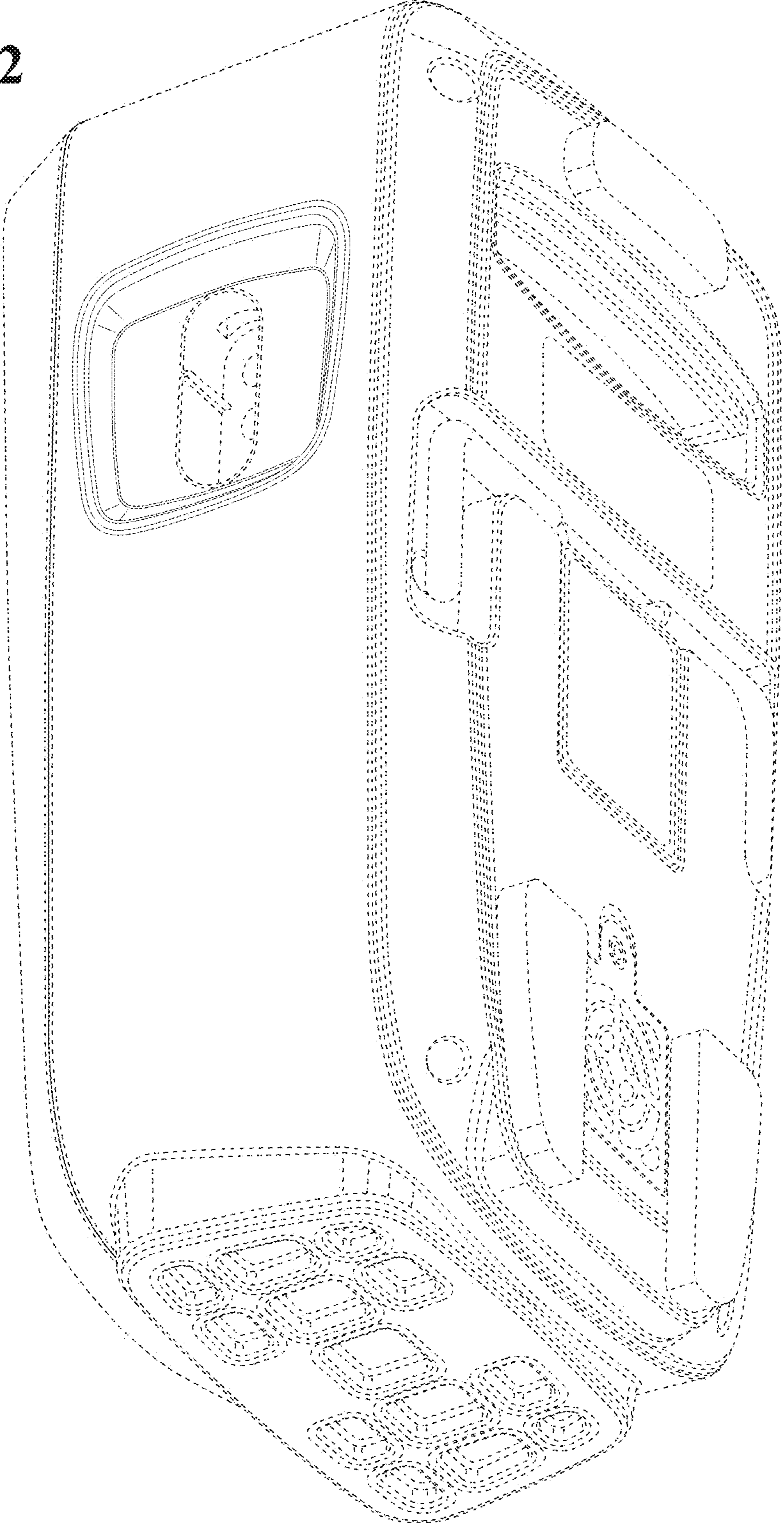
The broken lines in FIGS. 1 through 24 depict portions of the pump that form no part of the claimed design.

**1 Claim, 21 Drawing Sheets**

**FIG. 1**

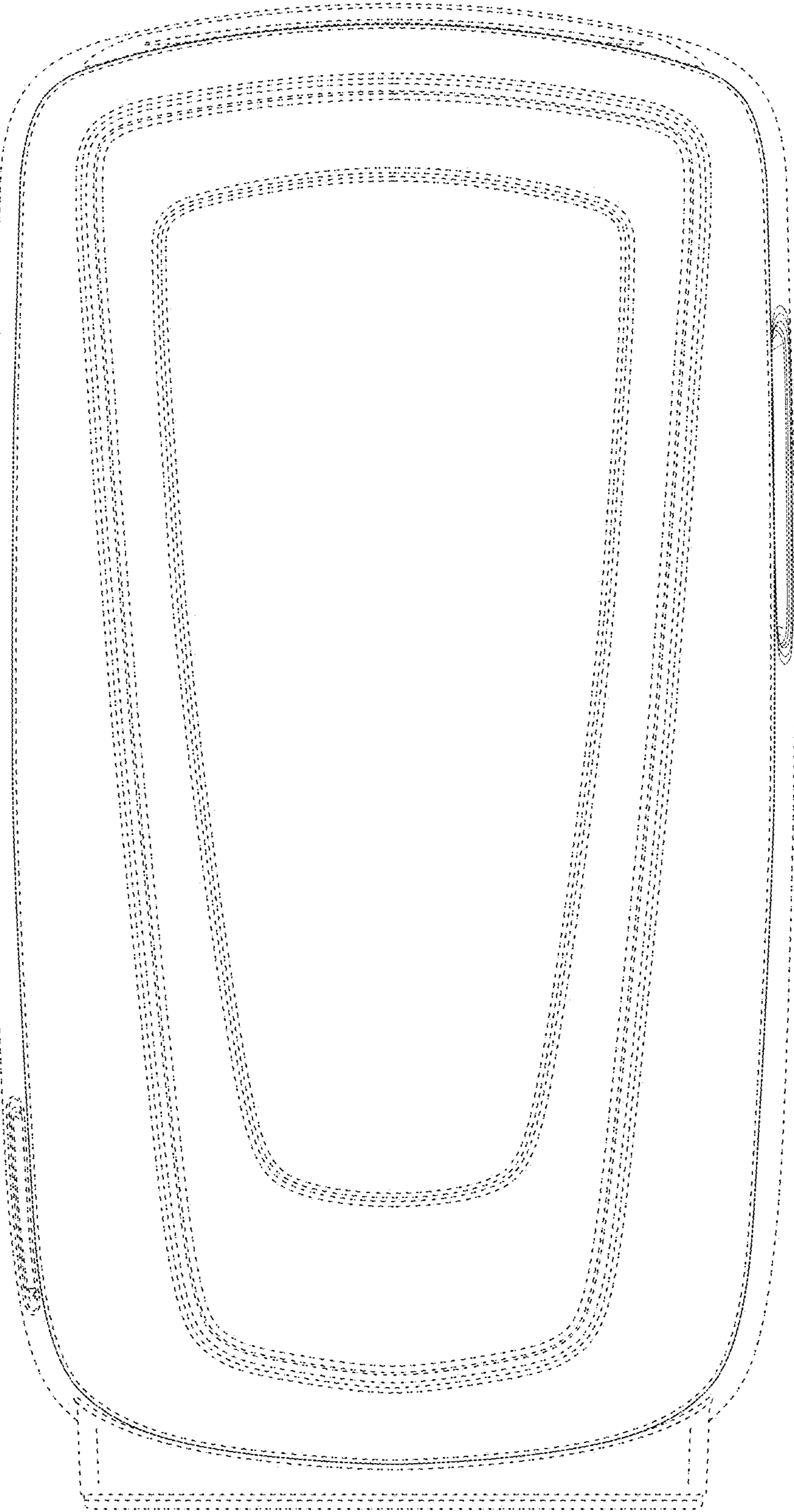


**FIG. 2**

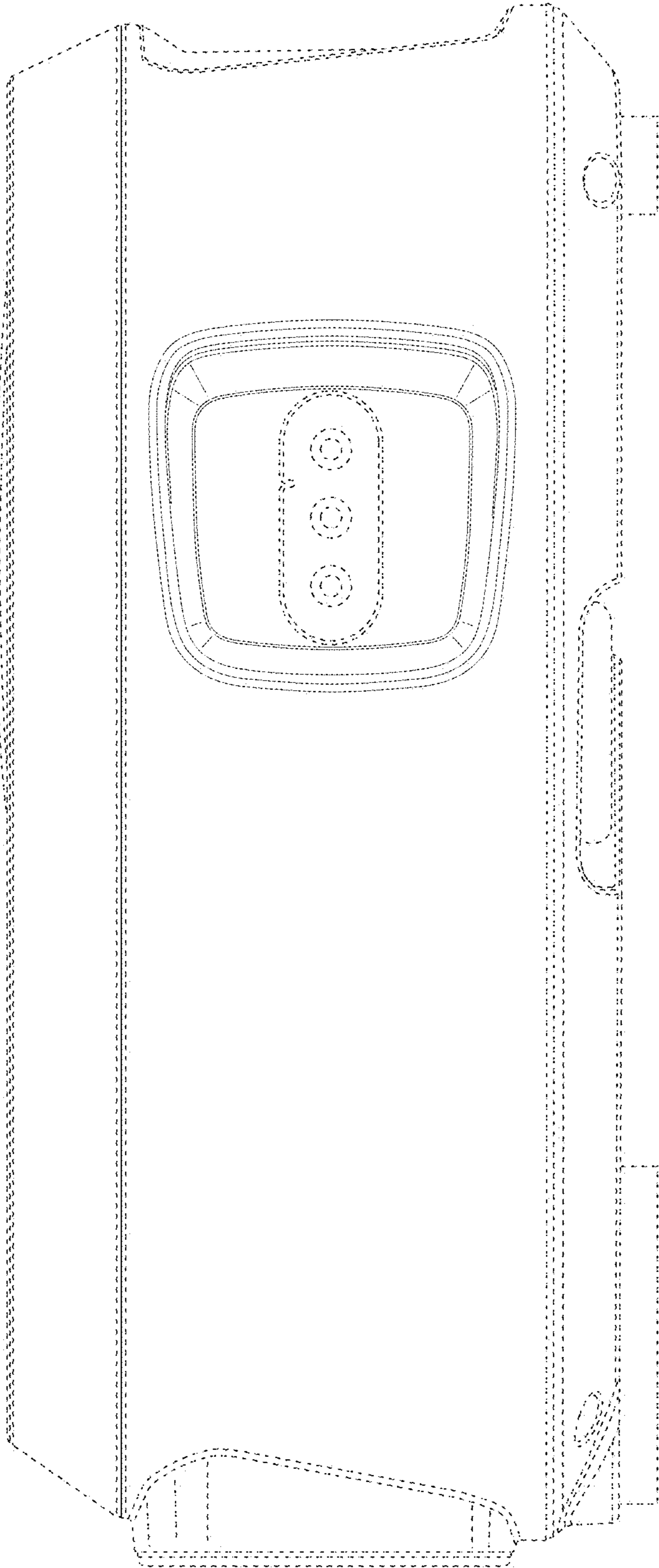




**FIG. 3**

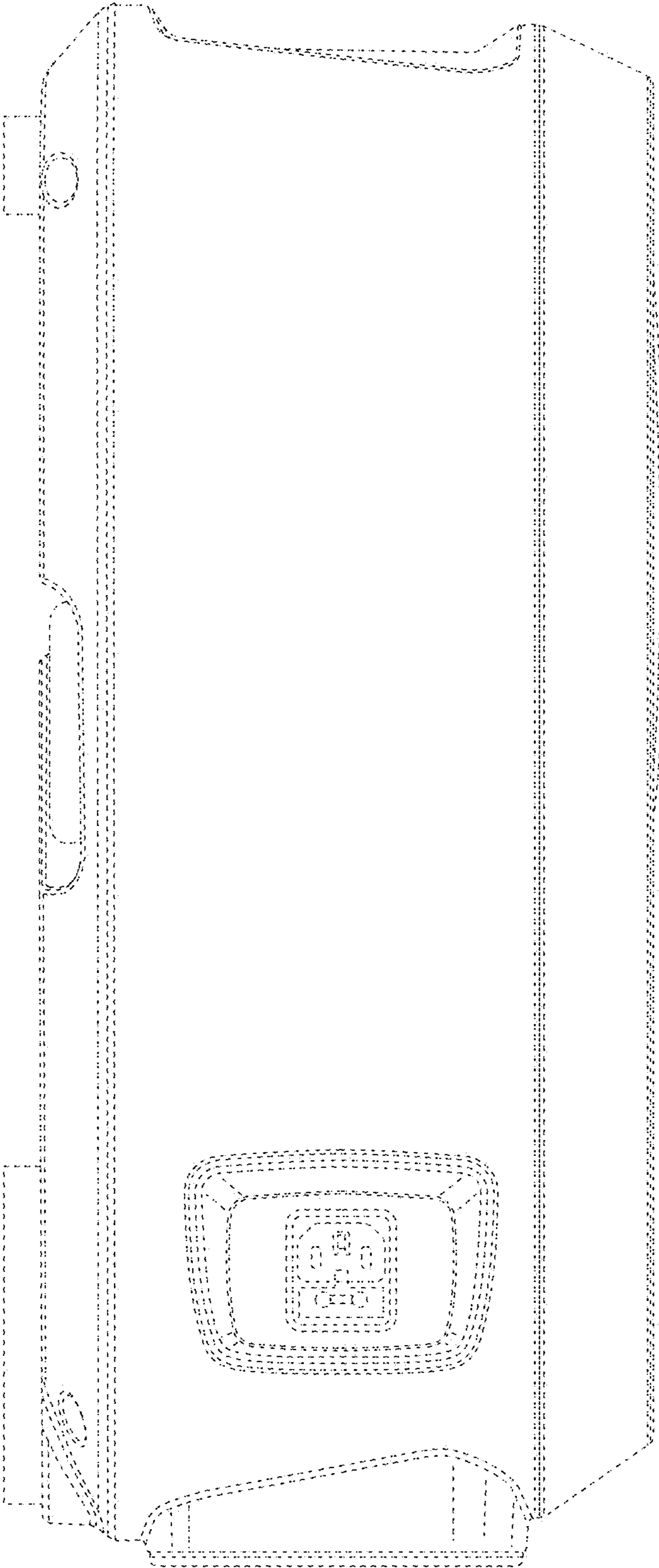


**FIG. 4**

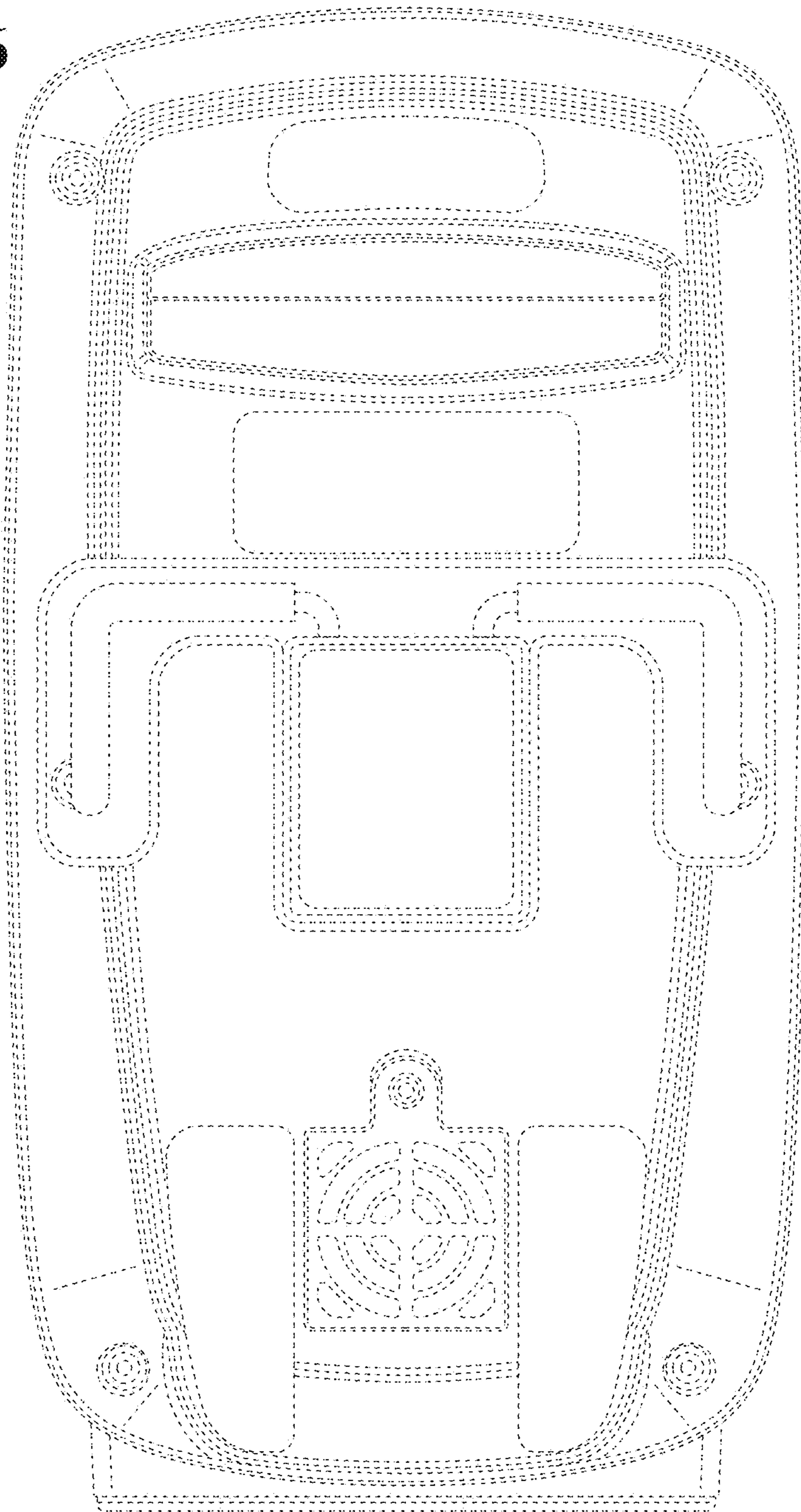




**FIG. 5**

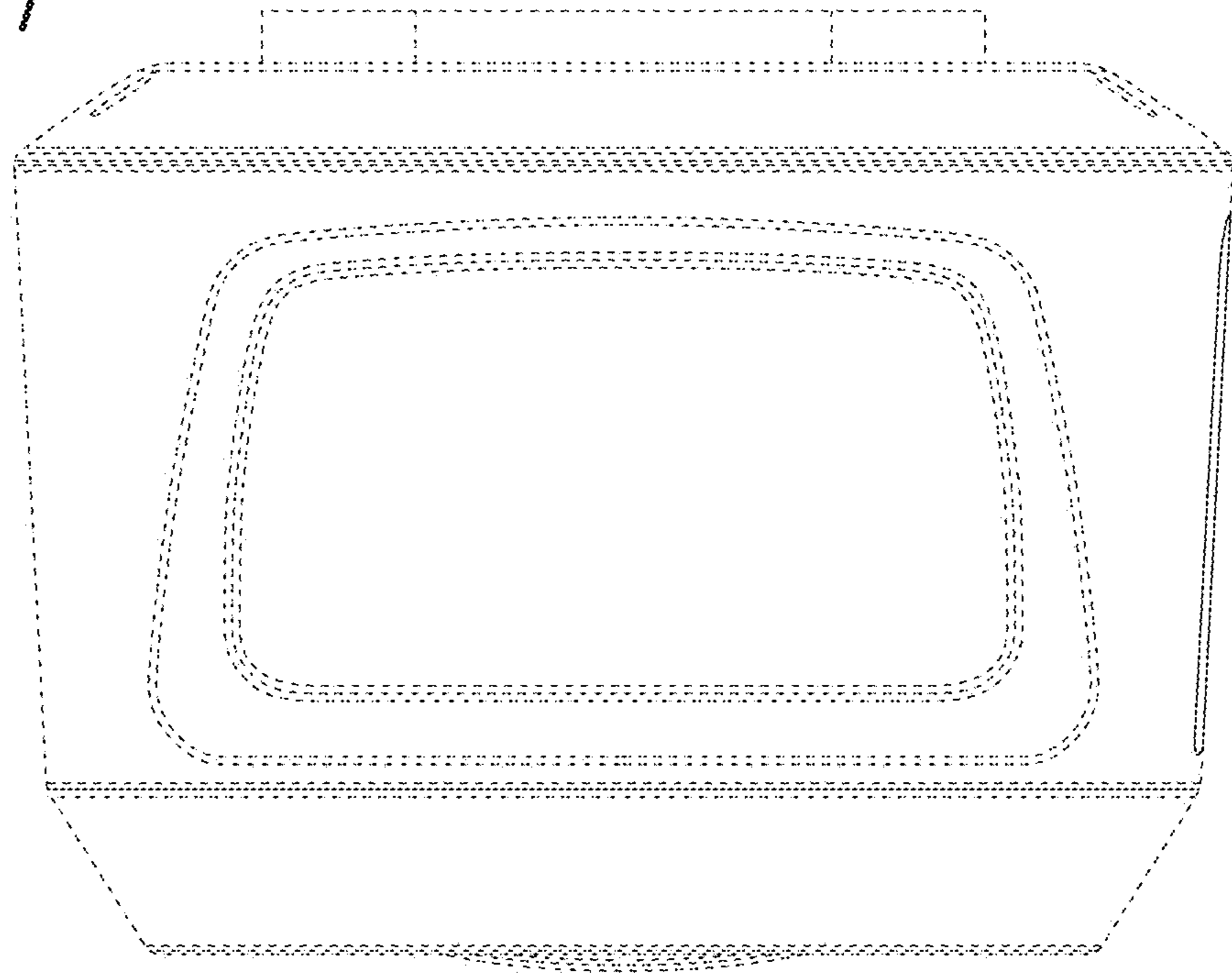


**FIG. 6**

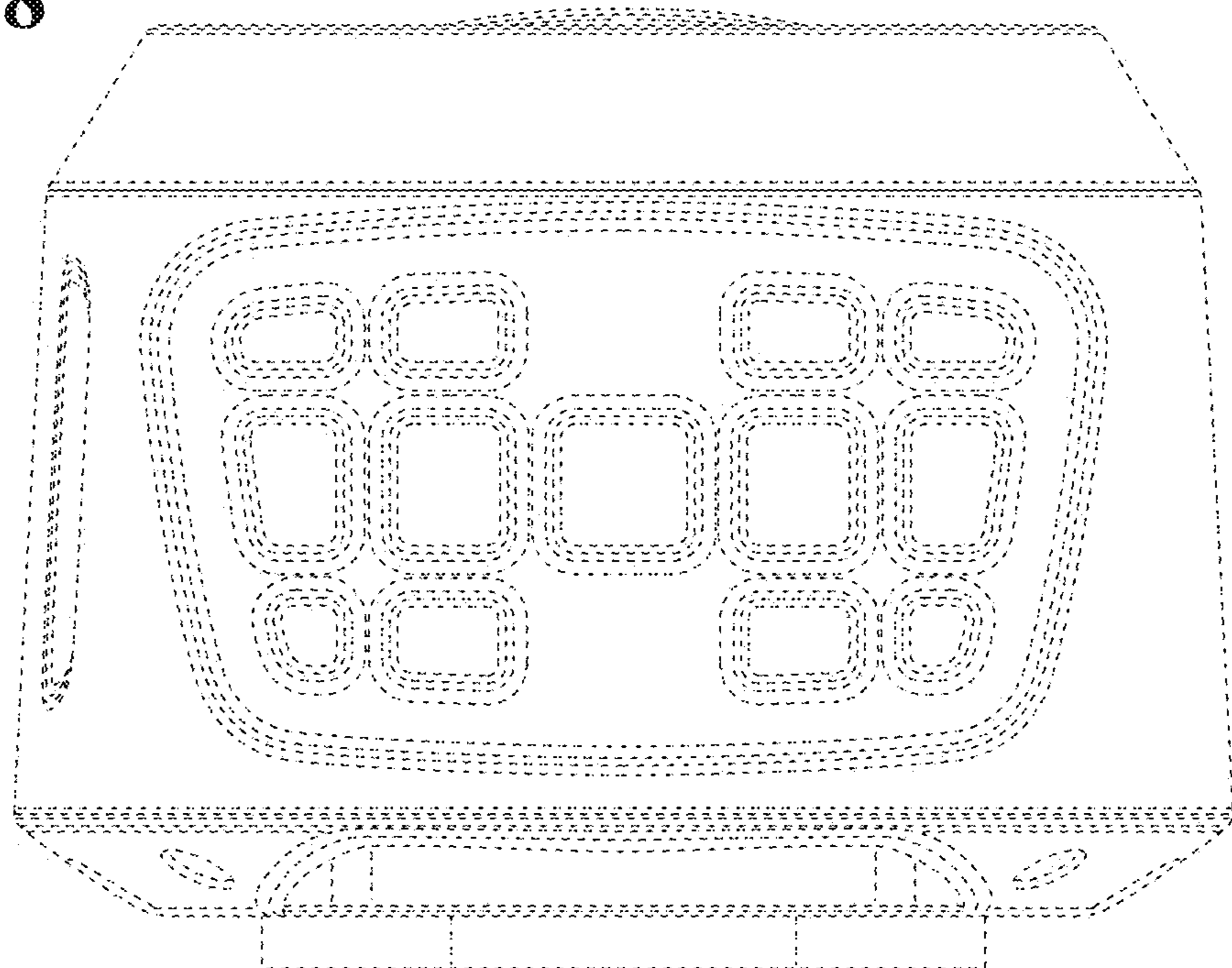




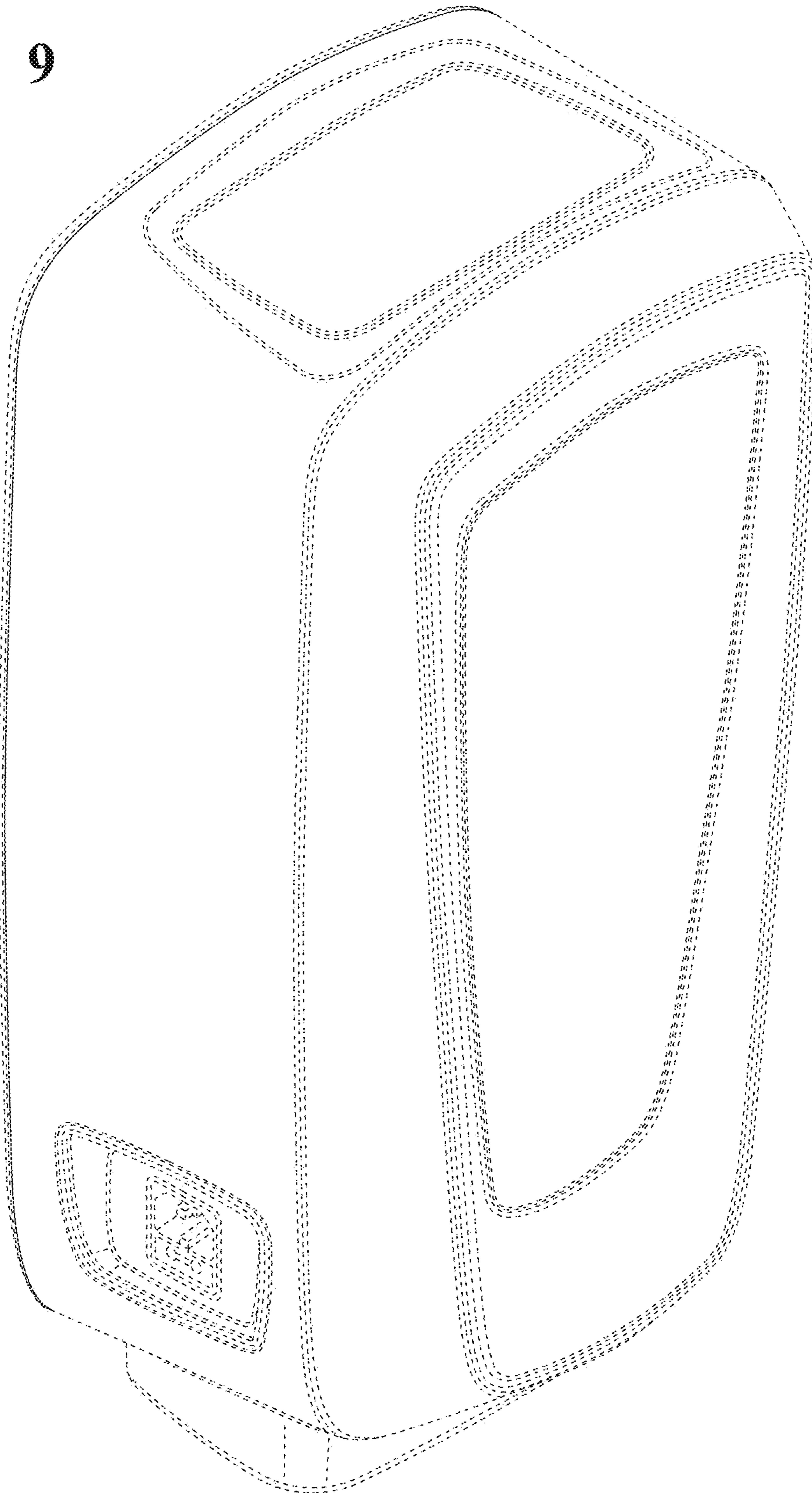
**FIG. 7**



**FIG. 8**

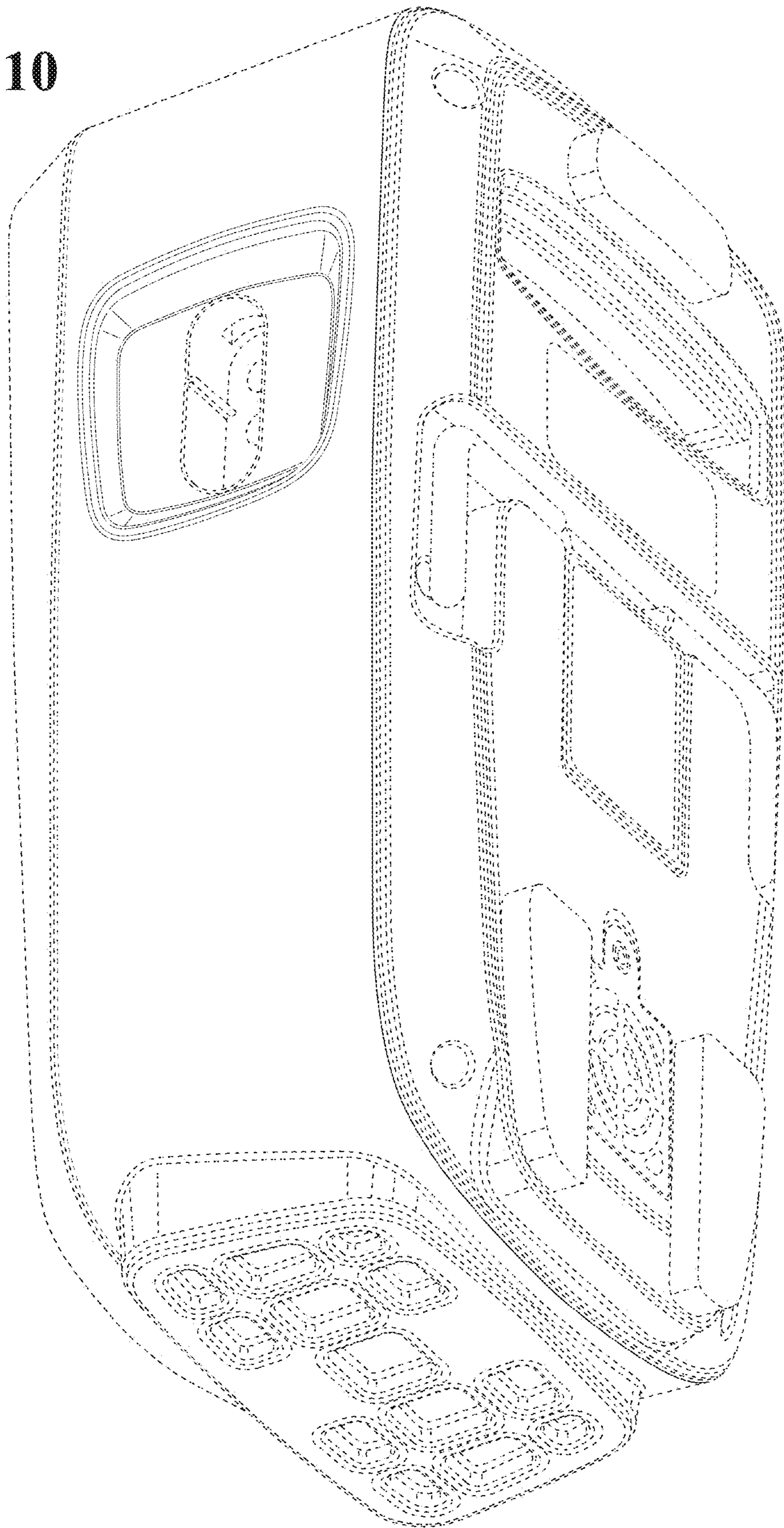


**FIG. 9**

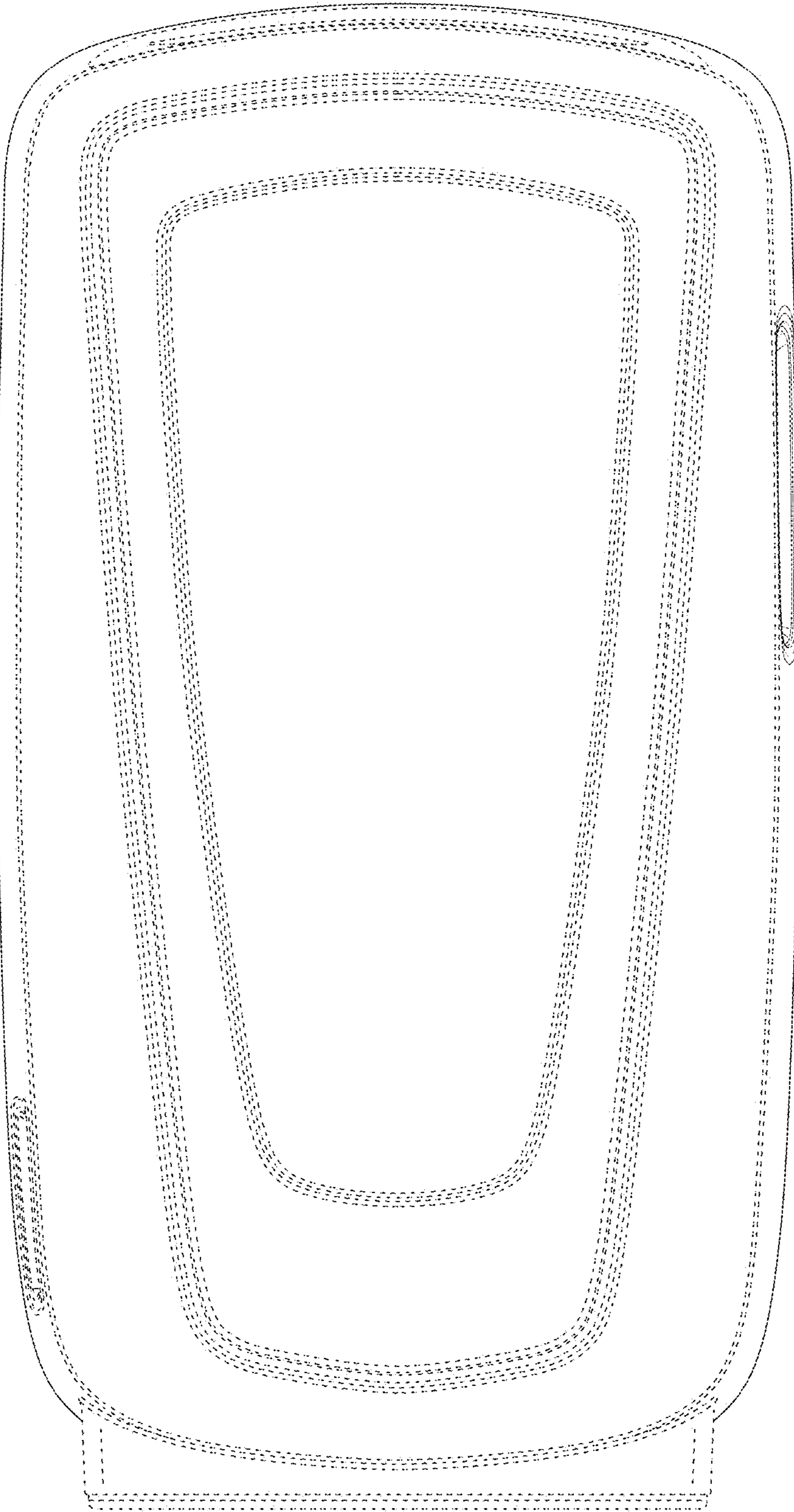




**FIG. 10**

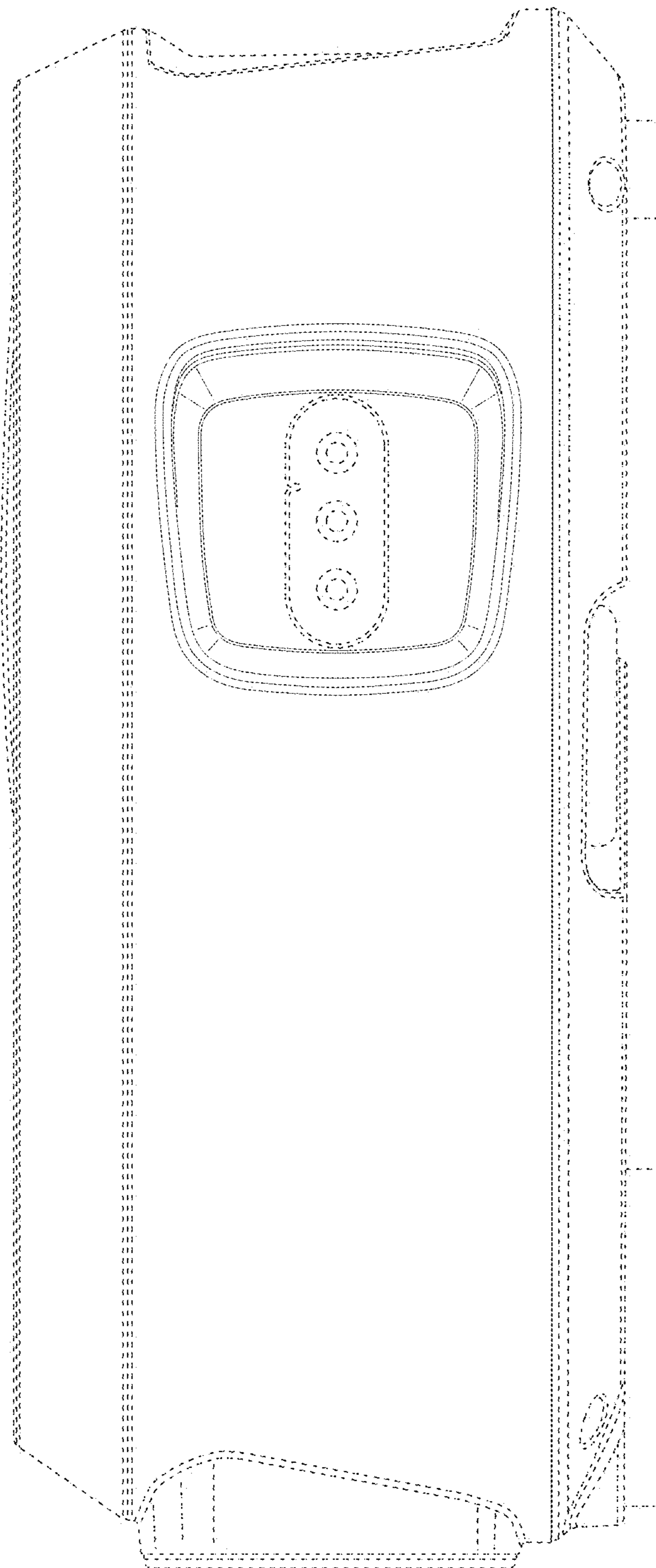


**FIG. 11**

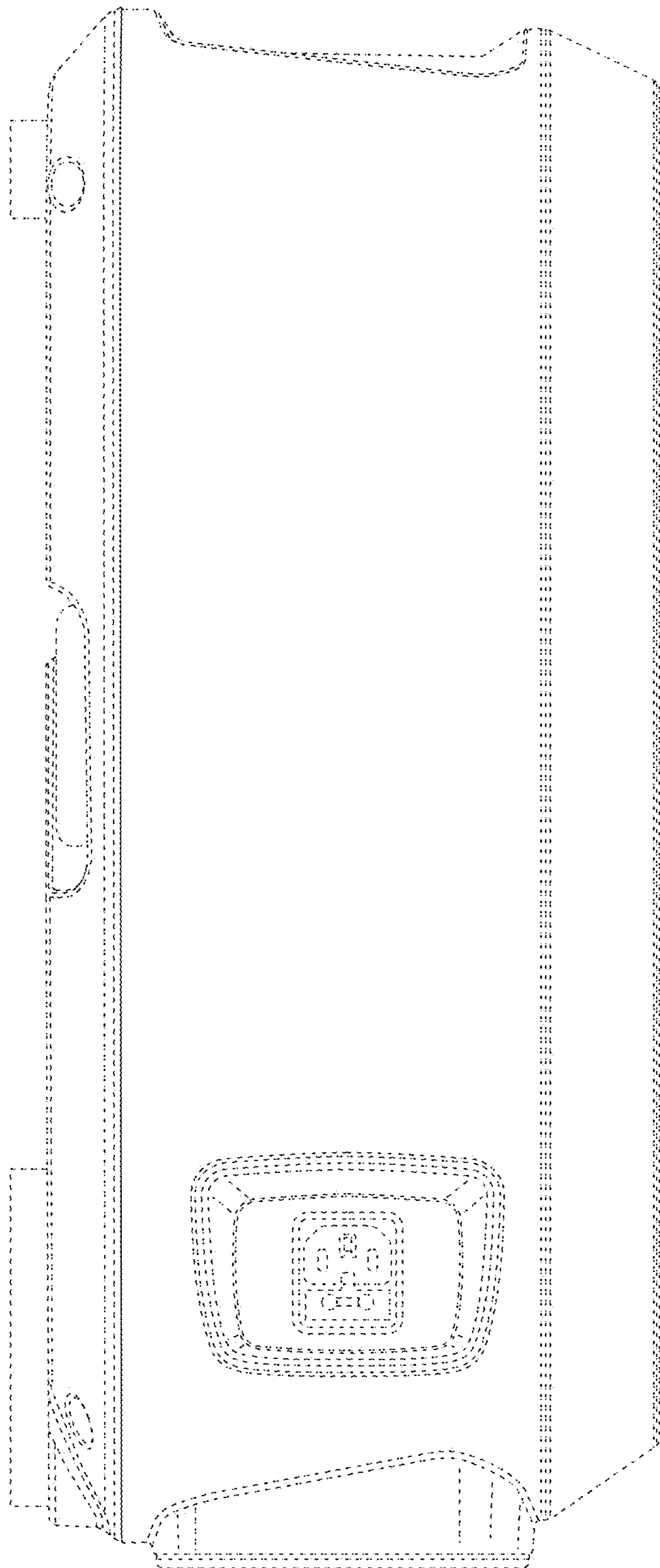




**FIG. 12**

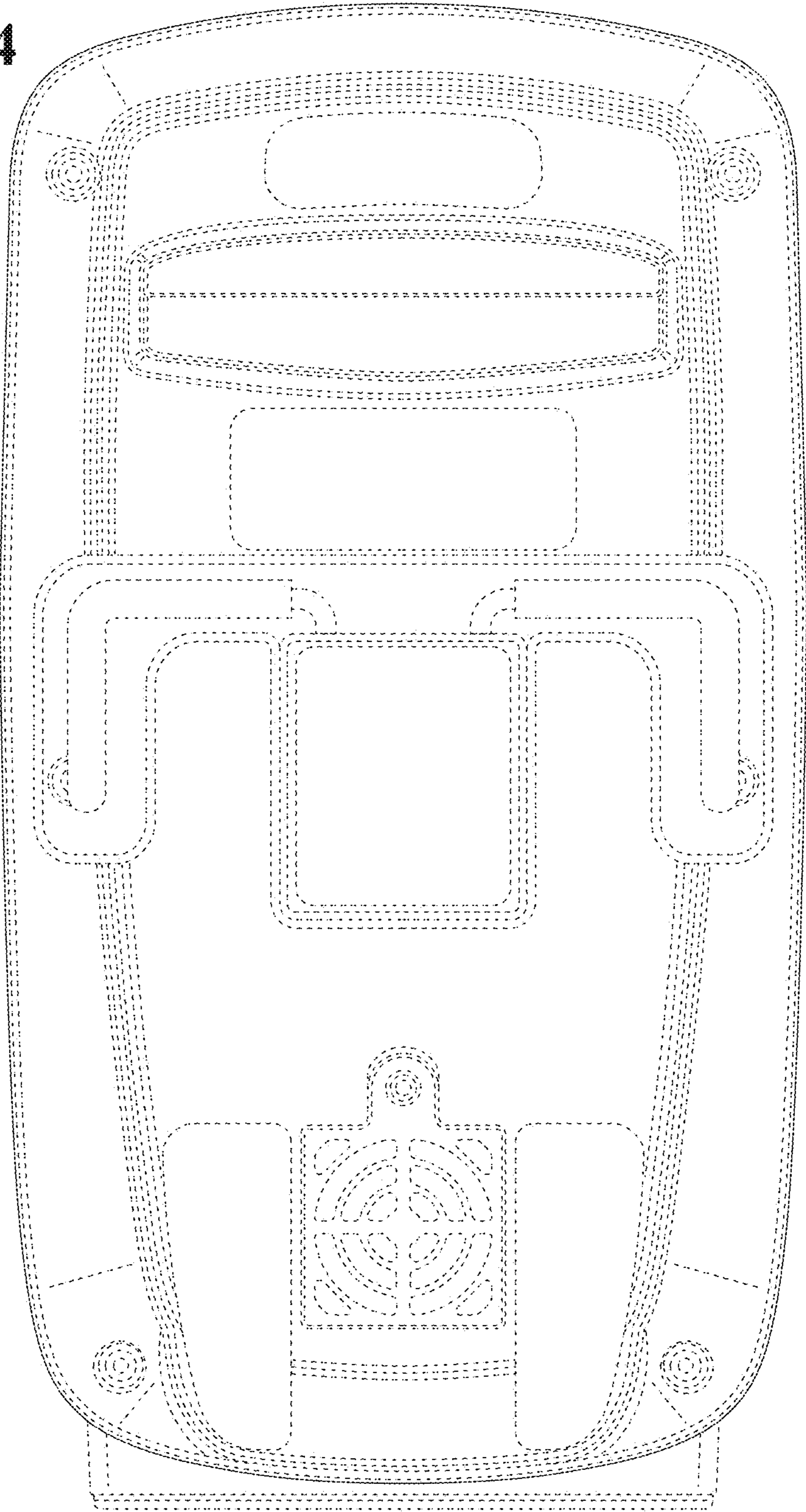


**FIG. 13**

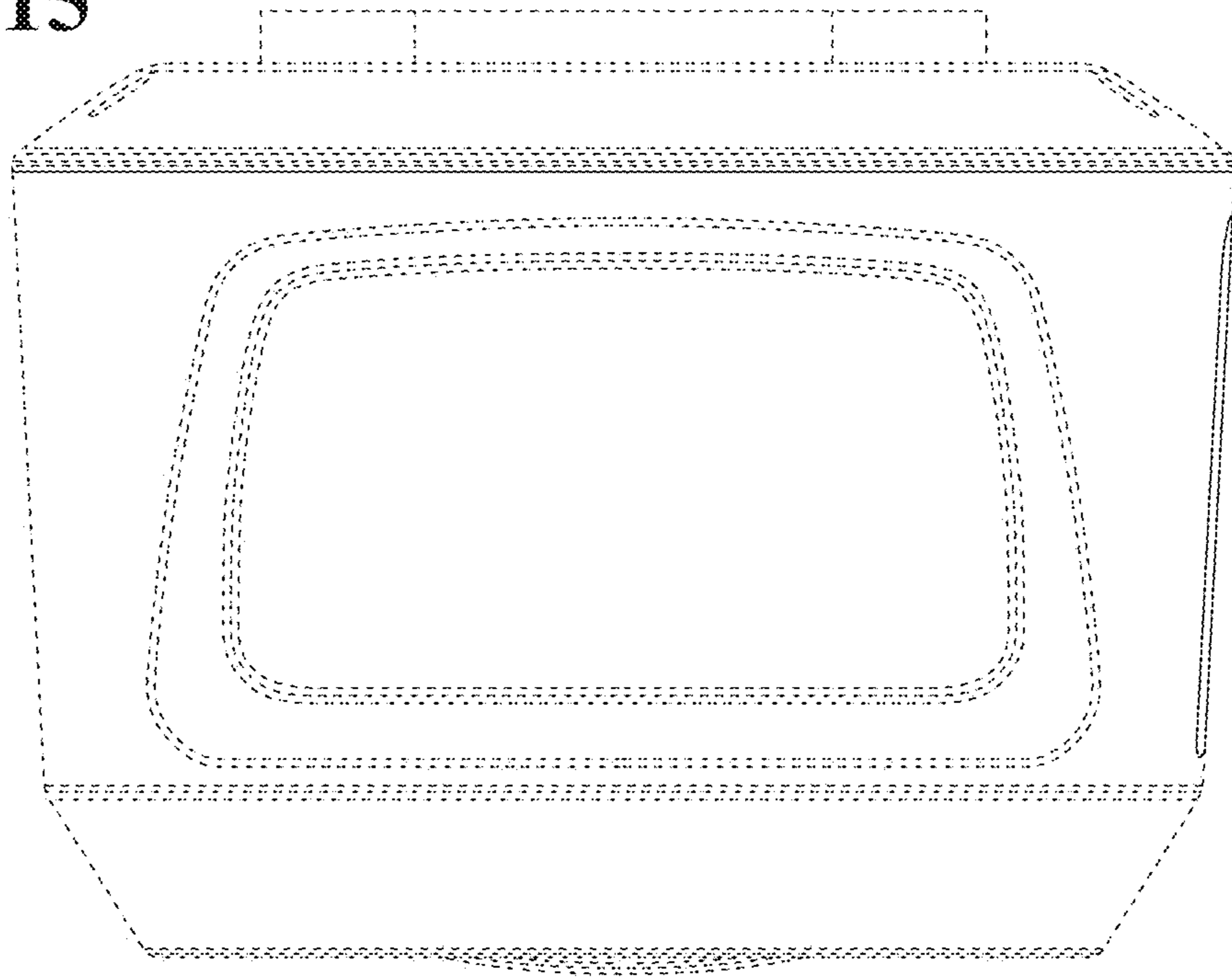




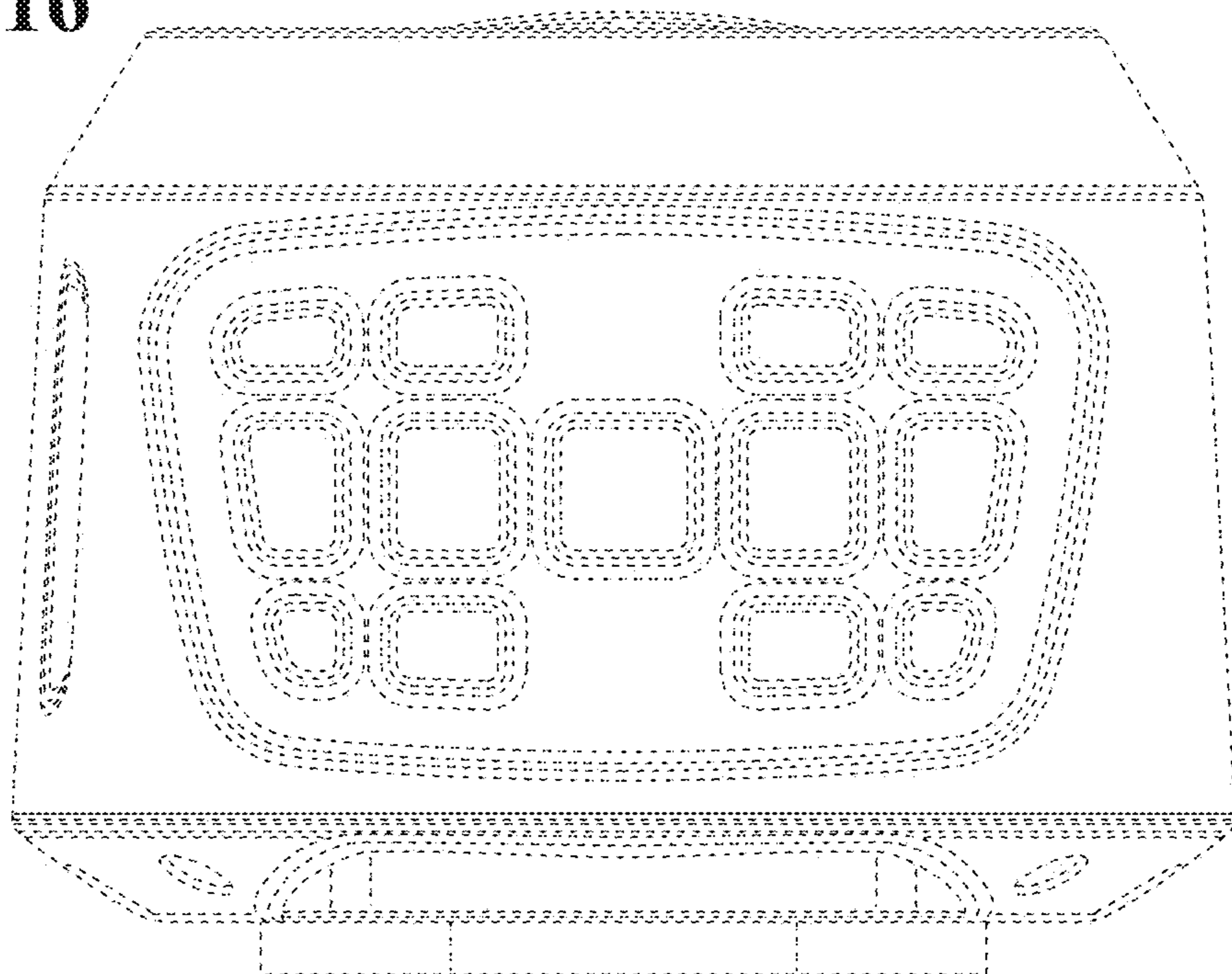
**FIG. 14**



**FIG. 15**

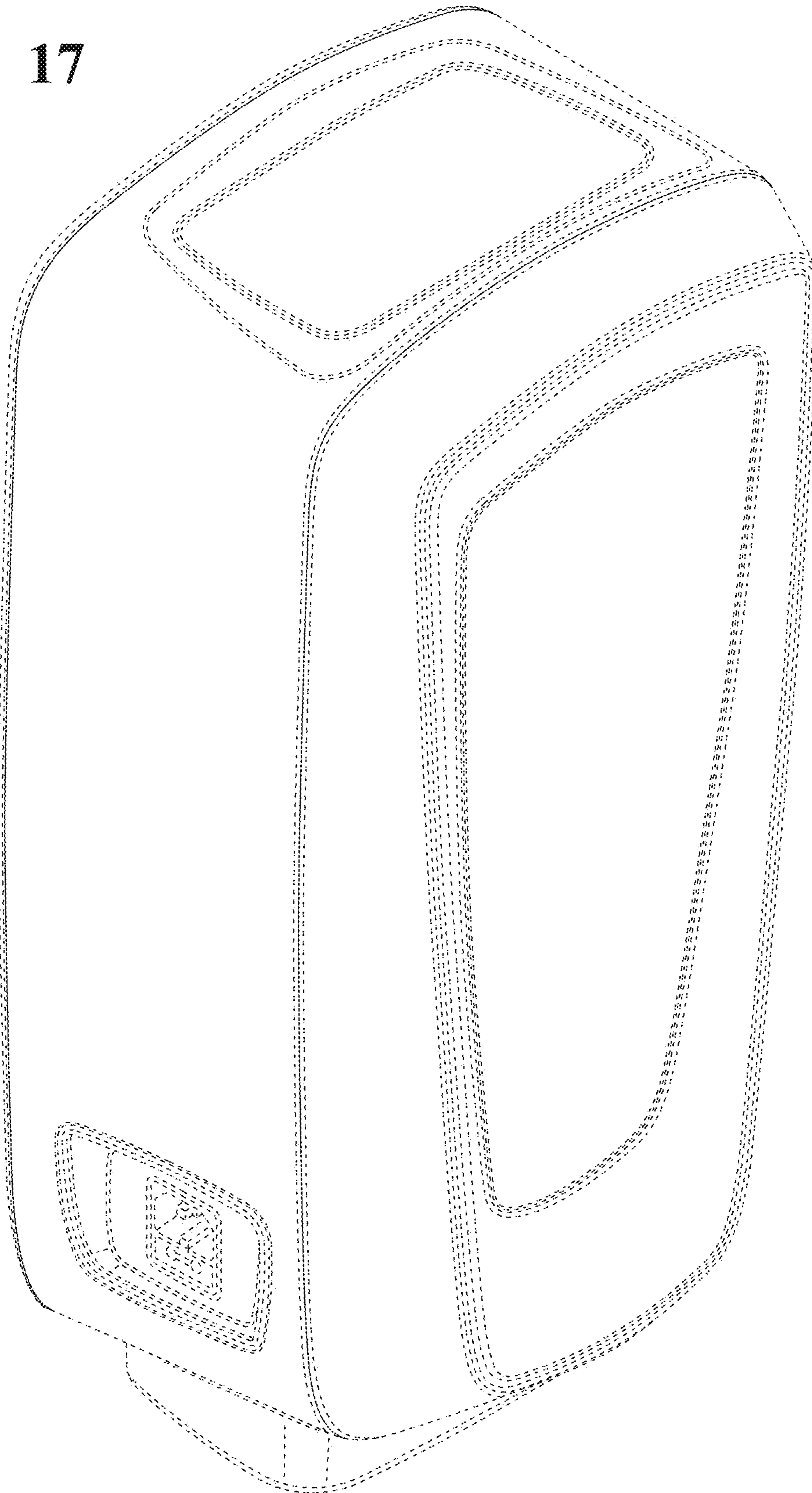


**FIG. 16**

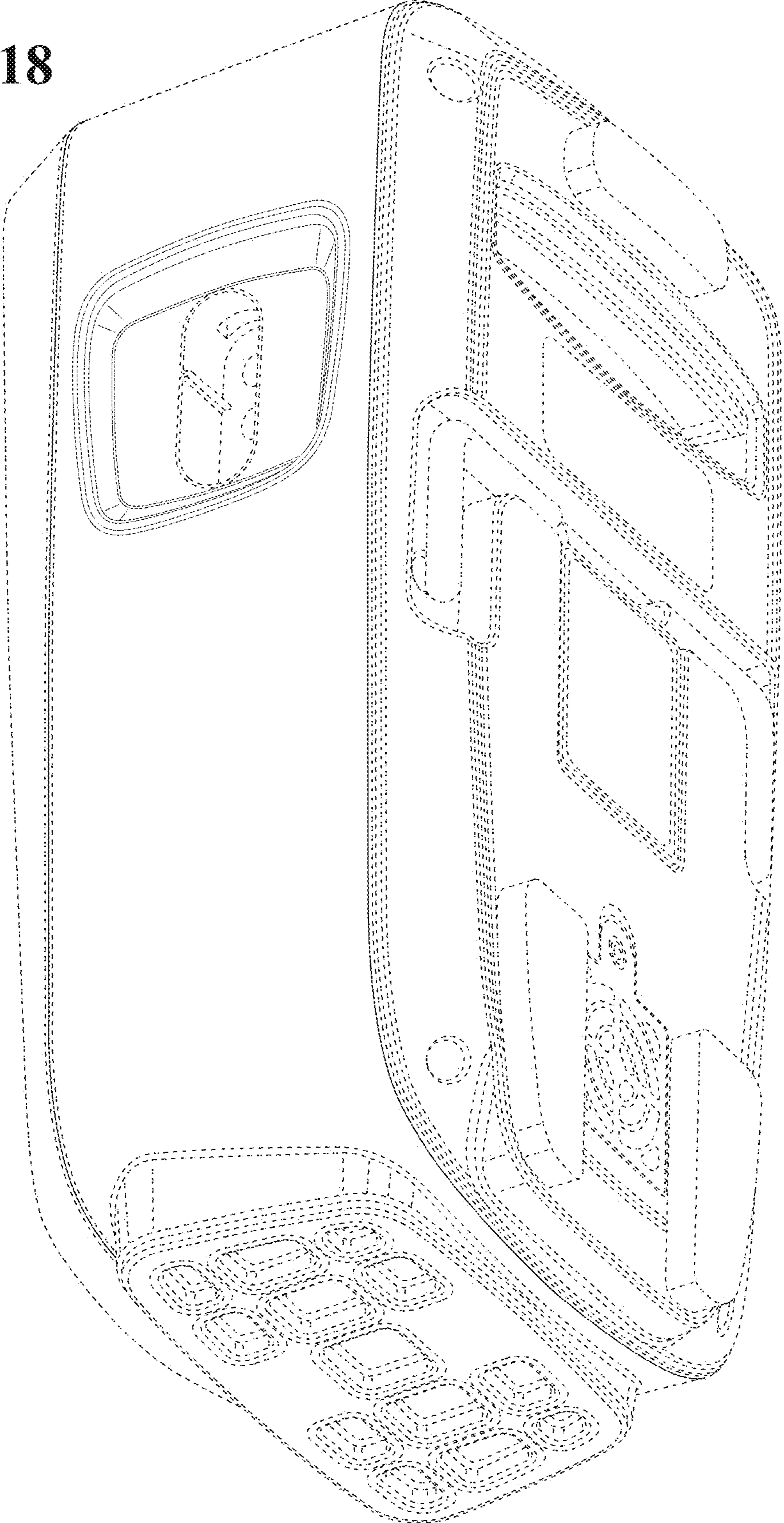




**FIG. 17**

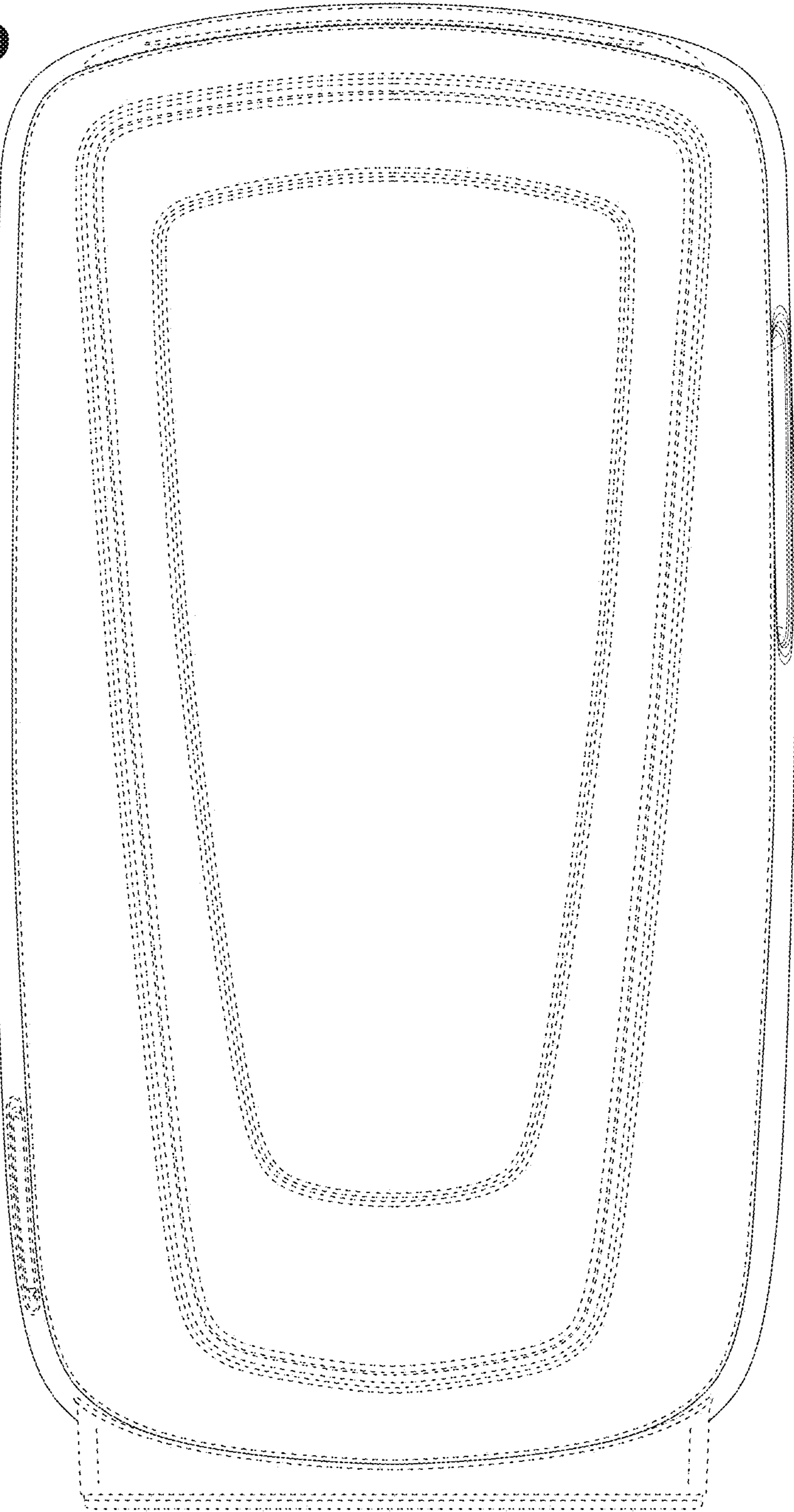


**FIG. 18**

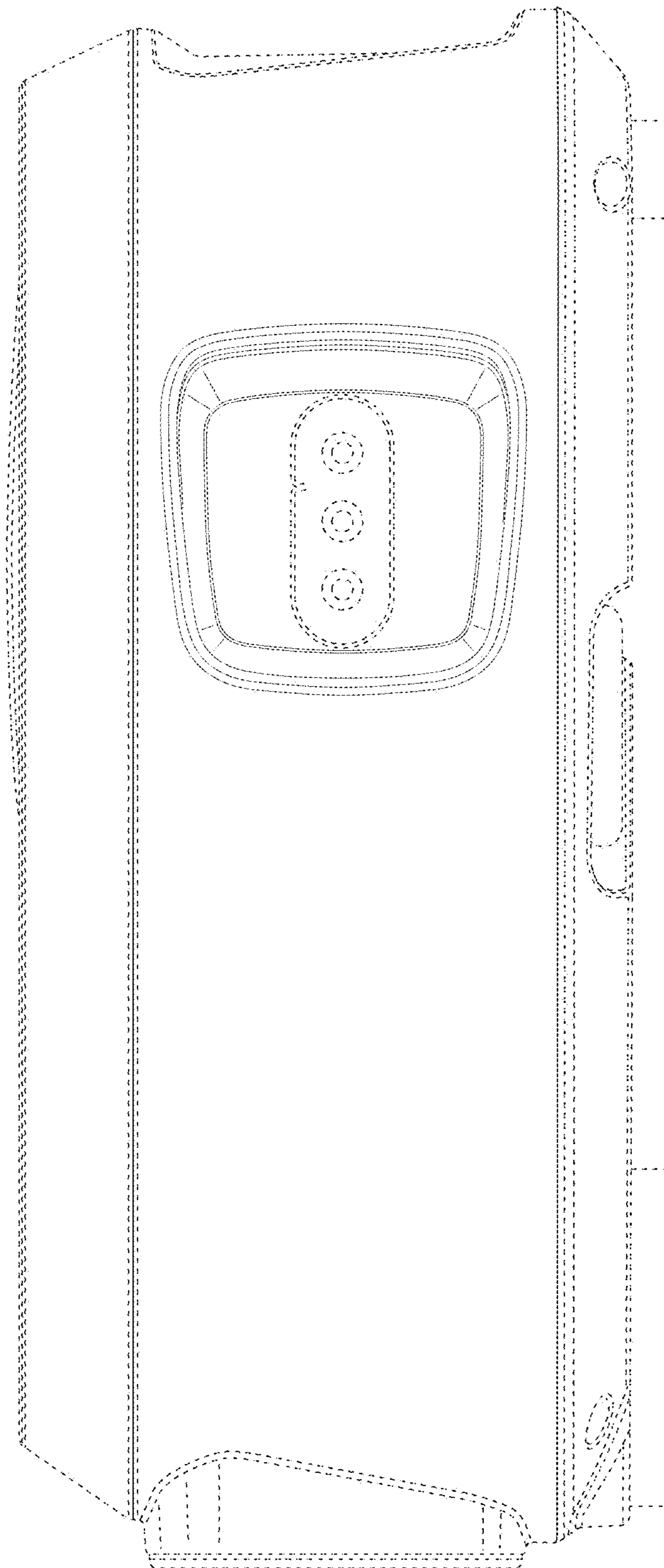




**FIG. 19**

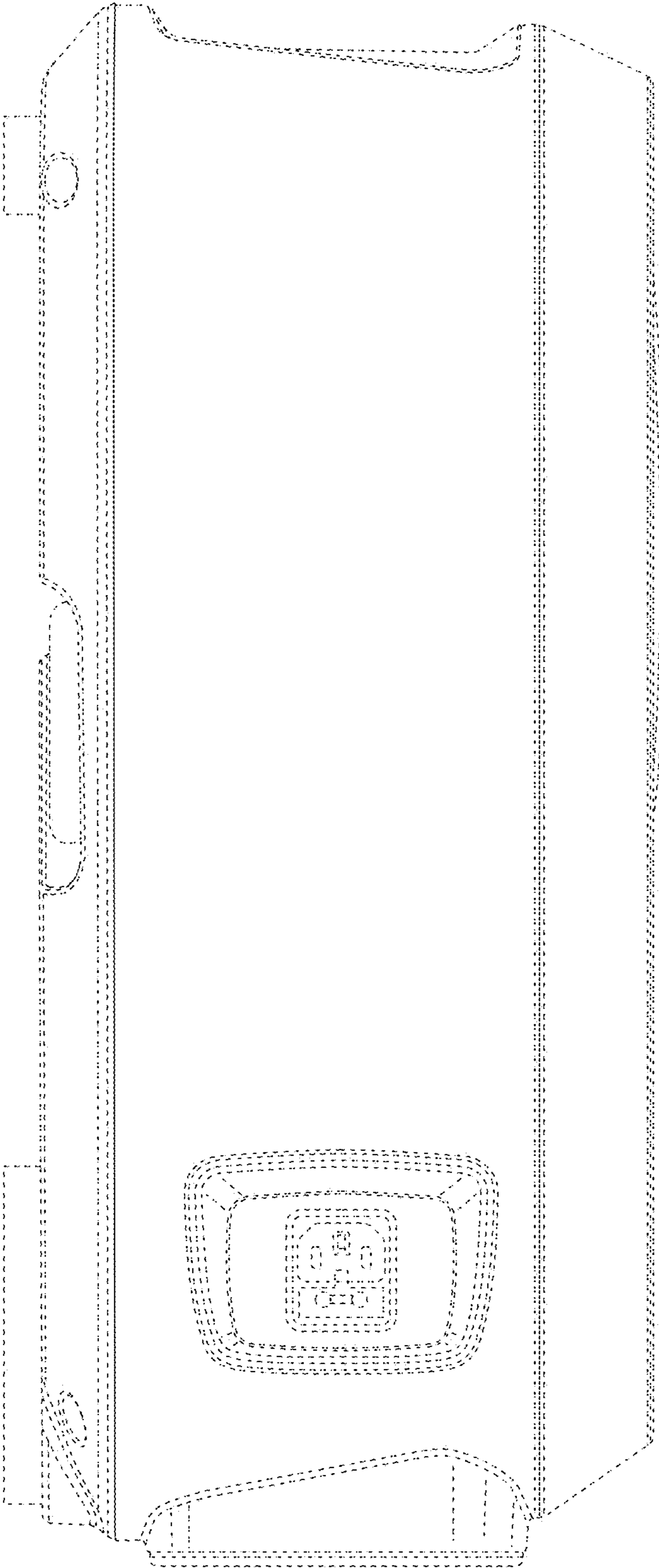


**FIG. 20**

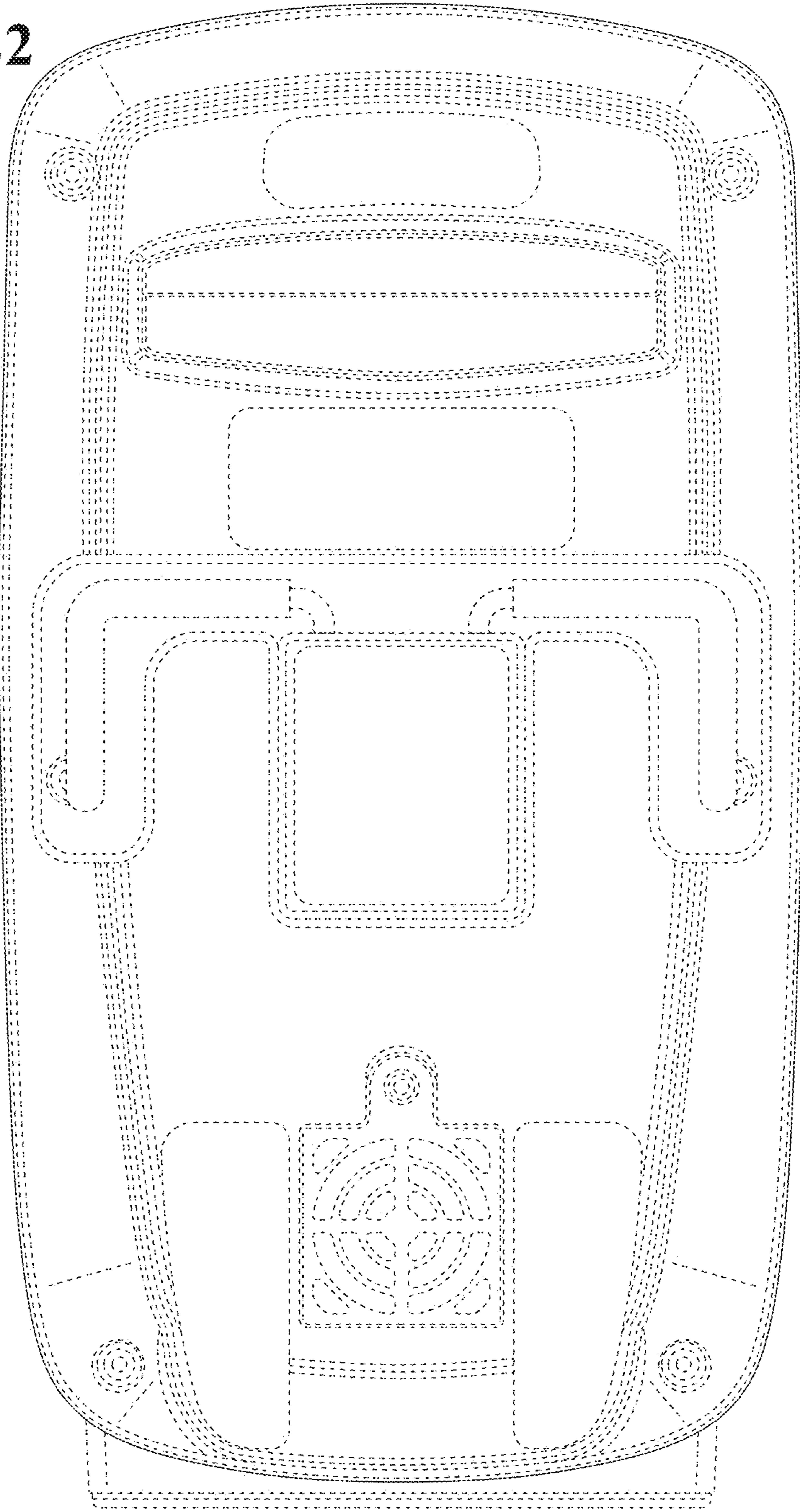




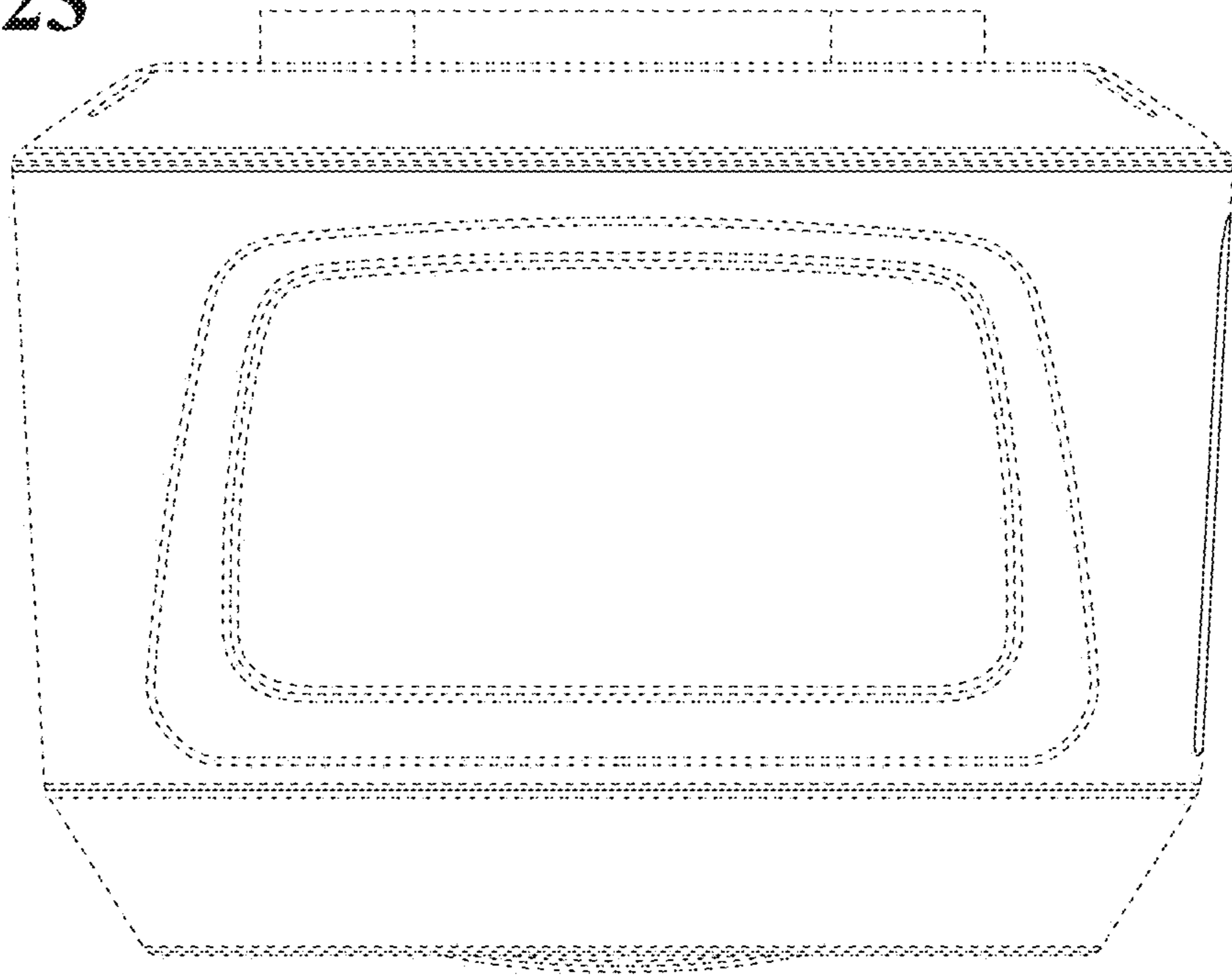
**FIG. 21**



**FIG. 22**



**FIG. 23**



**FIG. 24**

