



US00D985754S

(12) **United States Design Patent** (10) **Patent No.:** **US D985,754 S**  
**Wappler et al.** (45) **Date of Patent:** **\*\* May 9, 2023**

(54) **MEDICAL HEAD FOR ROBOTIC ARM**

(71) Applicant: **AGILE ROBOTS AG**, Munich (DE)

(72) Inventors: **Fabian Wappler**, Gilching (DE);  
**Daniel Dürr**, Gilching (DE)

(73) Assignee: **Agile Robote AG**, Gilching (DE)

(\*\*) Term: **15 Years**

(21) Appl. No.: **29/762,543**

(22) Filed: **Dec. 17, 2020**

(51) **LOC (14) Cl.** ..... **24-01**

(52) **U.S. Cl.**  
USPC ..... **D24/107**; D15/199

(58) **Field of Classification Search**  
USPC ..... D24/107, 140, 185, 231; D15/7, 122,  
D15/199; D16/131  
CPC ..... A61B 34/30; A61B 34/37; A61B 34/70;  
A61B 2034/302; A61B 6/4458  
See application file for complete search history.

(56) **References Cited**

**U.S. PATENT DOCUMENTS**

D206,094 S	*	10/1966	Hill	.....	D15/122
D592,689 S	*	5/2009	Dunn	.....	D16/131
D650,405 S	*	12/2011	Nusser	.....	A61B 18/14
					D16/131
D677,702 S	*	3/2013	O'Shea	.....	D15/7
D692,041 S	*	10/2013	Selic	.....	D15/199
D716,357 S	*	10/2014	Gombert	.....	D15/199
D723,079 S	*	2/2015	Nauli	.....	D16/131
D761,339 S	*	7/2016	White, Jr.	.....	D15/199
D763,339 S	*	8/2016	Ries	.....	D15/199
D776,178 S	*	1/2017	Ries	.....	D15/199
D832,328 S	*	10/2018	Baek	.....	D15/199
D835,693 S	*	12/2018	Lee	.....	D15/199

(Continued)

**OTHER PUBLICATIONS**

Agile Robots AG, Robotics Company[@agile.robots.ag], Facebook.com, Published: [Nov. 12, 2020], site visited: [Mar. 21, 2022], URL:

<<https://www.facebook.com/agile.robots.ag/photos/a.107156041209042/107155327875780>>. (Year: 2020).\*

*Primary Examiner* — Jonathan J Han  
*Assistant Examiner* — Amanda J Berlinski  
(74) *Attorney, Agent, or Firm* — Sutton Magidoff  
Barkume LLP

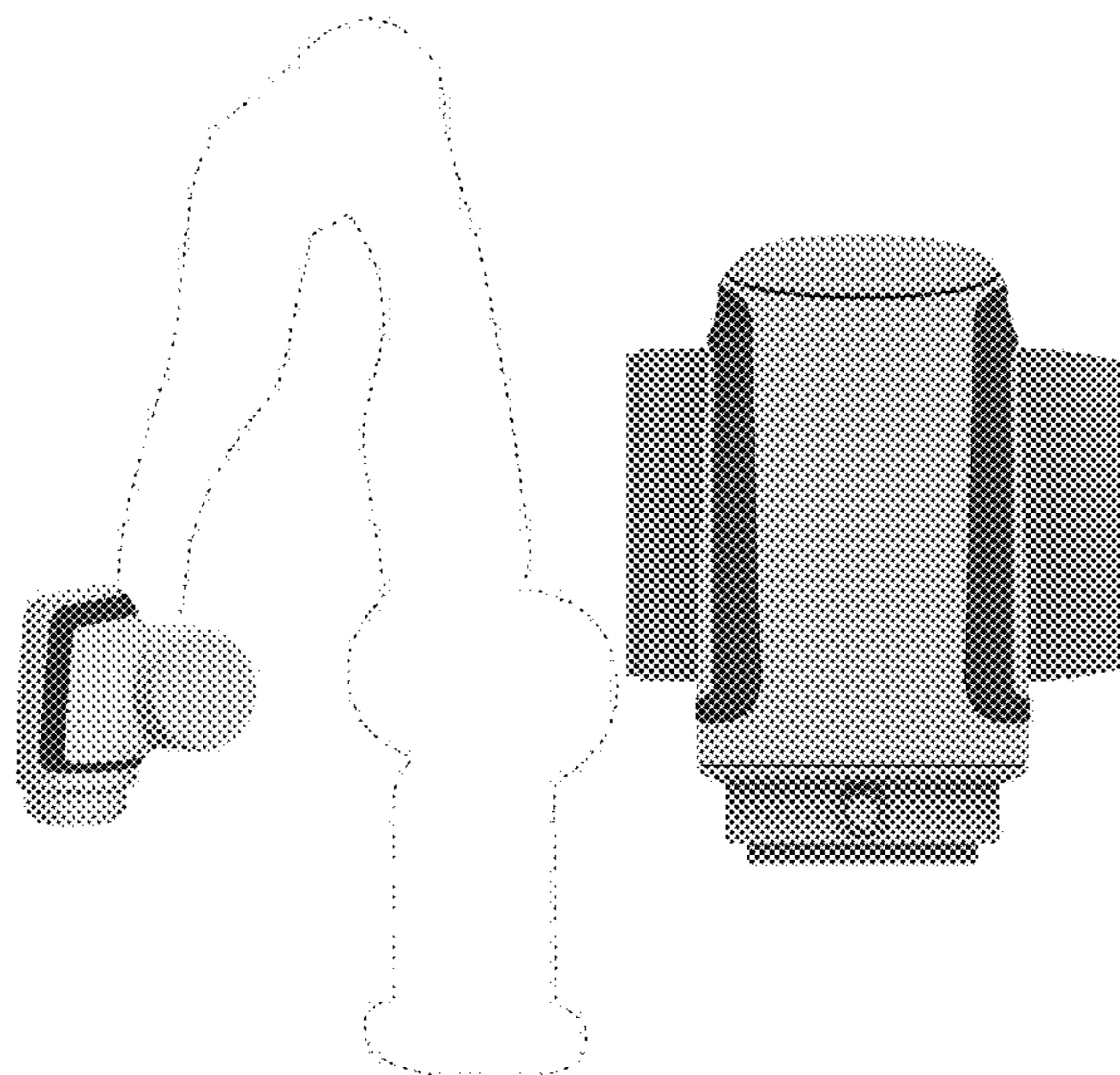
(57) **CLAIM**

The ornamental design for a medical head for robotic arm, as shown and described.

**DESCRIPTION**

FIG. 1 is a front view of a medical head for robotic arm showing our new design within a portion of a robotic arm; FIG. 2 is a back view of the article of FIG. 1 within a portion of a robotic arm; FIG. 3 is a left view of the article of FIG. 1 within a portion of a robotic arm; FIG. 4 is a right view of the article of FIG. 1 within a portion of a robotic arm; FIG. 5 is a perspective view of the article of FIG. 1 within a portion of a robotic arm; FIG. 6 is a top view of the article of FIG. 1 within a portion of a robotic arm; FIG. 7 is a bottom view of the article of FIG. 1 within a portion of a robotic arm; FIG. 8 is an enlarged view of the article of FIG. 1; and, FIG. 9 is an enlarged view of the article of FIG. 1. The dash-dash broken lines in FIG. 7 define the bounds of the claimed design and form no part thereof. The dot-dash lines in FIG. 7 depict portions of the medical head for robotic arm that form no part of the claimed design. The portions of a robotic arm, shown in dashed lines in FIGS. 1, 2, 3, 4, 5, 6, and 7, are for the purpose of illustrating environment that forms no part of the claimed design.

**1 Claim, 9 Drawing Sheets**



(56)

**References Cited**

U.S. PATENT DOCUMENTS

D837,853	S *	1/2019	Deng	.....	D15/199
D841,065	S *	2/2019	Hontani	.....	D15/199
D864,252	S *	10/2019	Charriere	.....	D15/7
D865,828	S *	11/2019	Bogart	.....	D15/199
D873,878	S *	1/2020	Vazquez	.....	D15/199
D880,548	S *	4/2020	Haddadin	.....	D15/199
D881,965	S *	4/2020	Liu	.....	D16/131
D885,452	S *	5/2020	Haddadin	.....	D15/199
D888,121	S *	6/2020	Kim	.....	D15/199
D897,390	S *	9/2020	Liao	.....	D15/199
D906,391	S *	12/2020	Chou	.....	D15/199
D906,392	S *	12/2020	Wappler	.....	D15/199
D915,487	S *	4/2021	Sell	.....	D15/199
D921,733	S *	6/2021	Li	.....	D15/199
D923,679	S *	6/2021	Wappler	.....	D15/199
D931,921	S *	9/2021	Haddadin	.....	D15/199
D937,333	S *	11/2021	Yang	.....	D15/199
D944,513	S *	3/2022	Özbayis	.....	A61N 1/3968
					D24/167
D946,639	S *	3/2022	Liu	.....	D16/131
D976,981	S *	1/2023	Duerr	.....	D15/199
2019/0127098	A1 *	5/2019	Chang	.....	F04D 29/701
2021/0128248	A1 *	5/2021	Cohen	.....	A61B 18/14
2022/0079687	A1 *	3/2022	Sexson	.....	A61B 34/20

\* cited by examiner

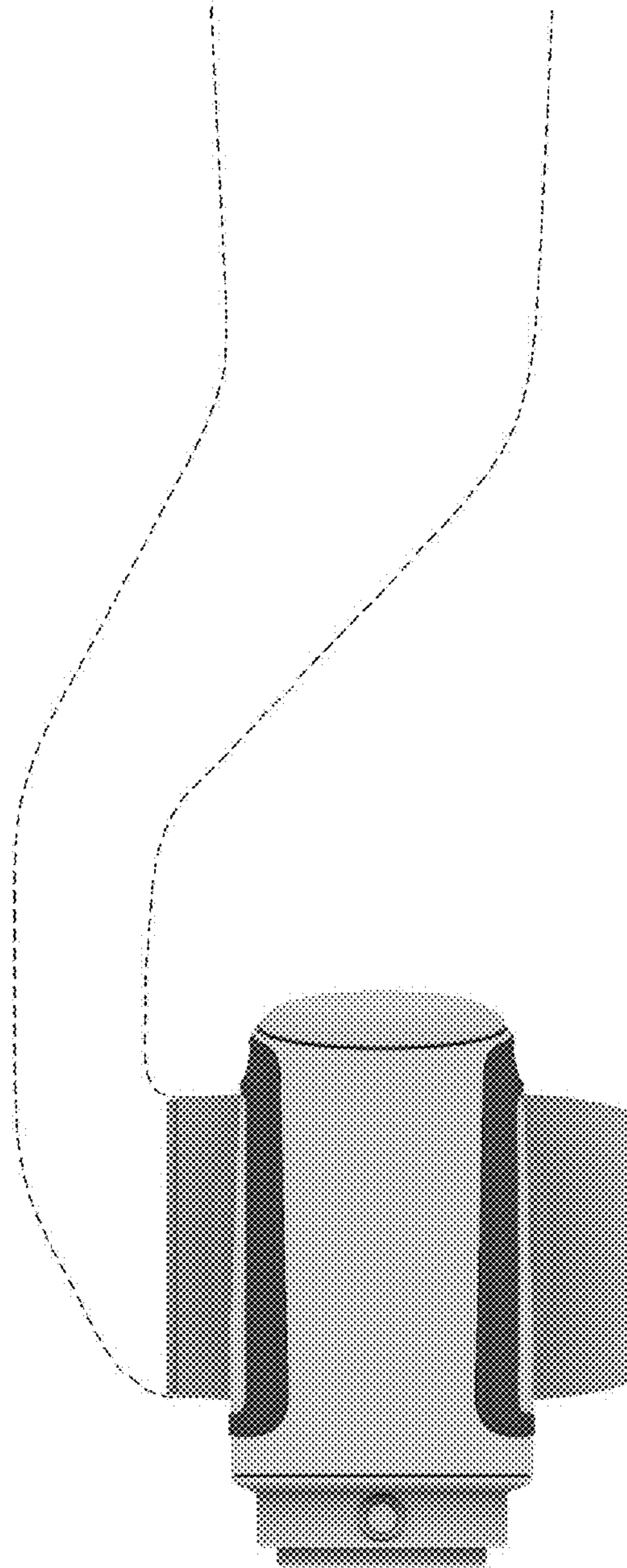


Fig. 1

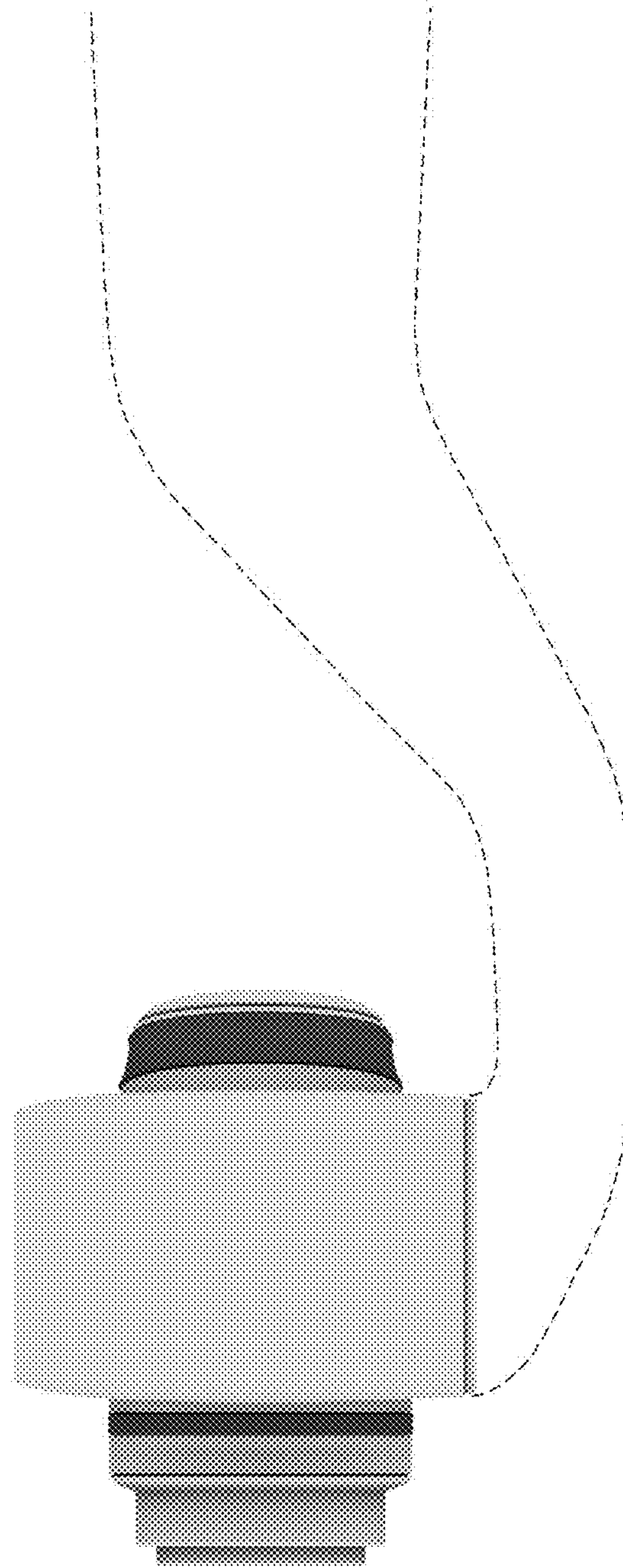


Fig. 2

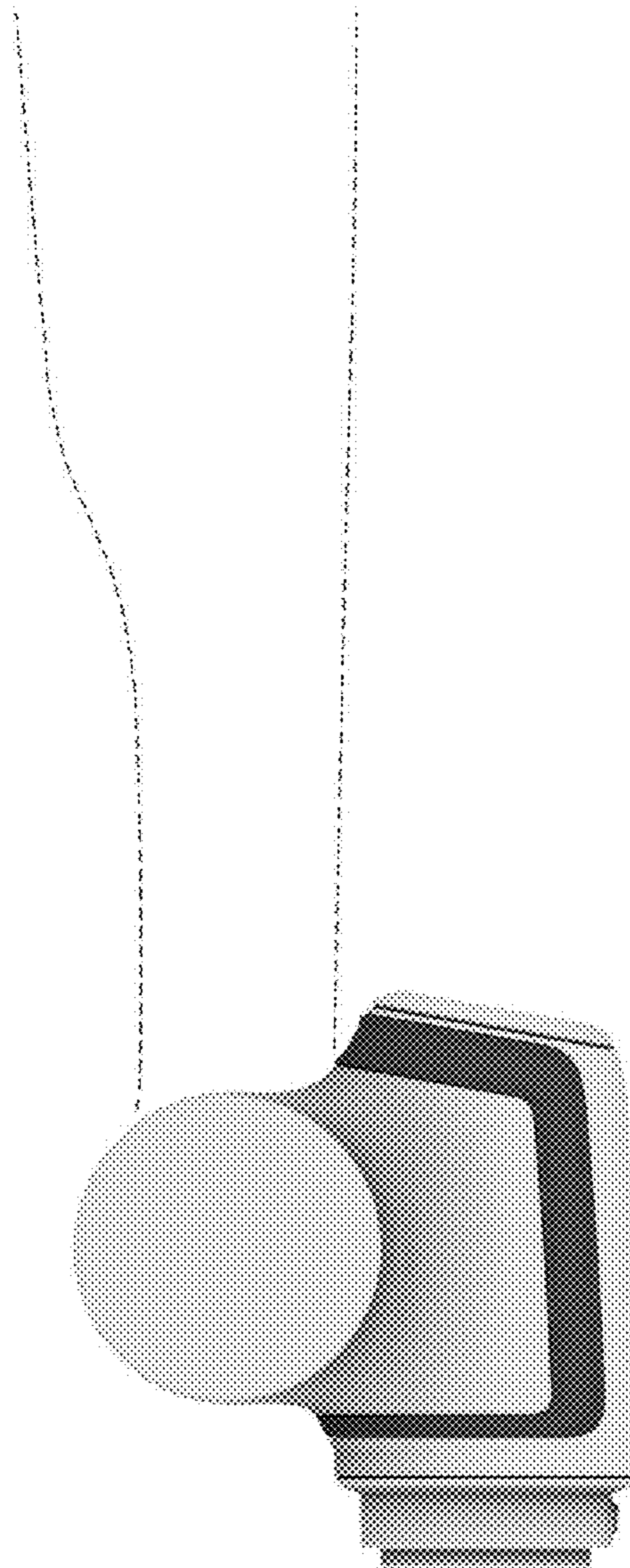


Fig. 3

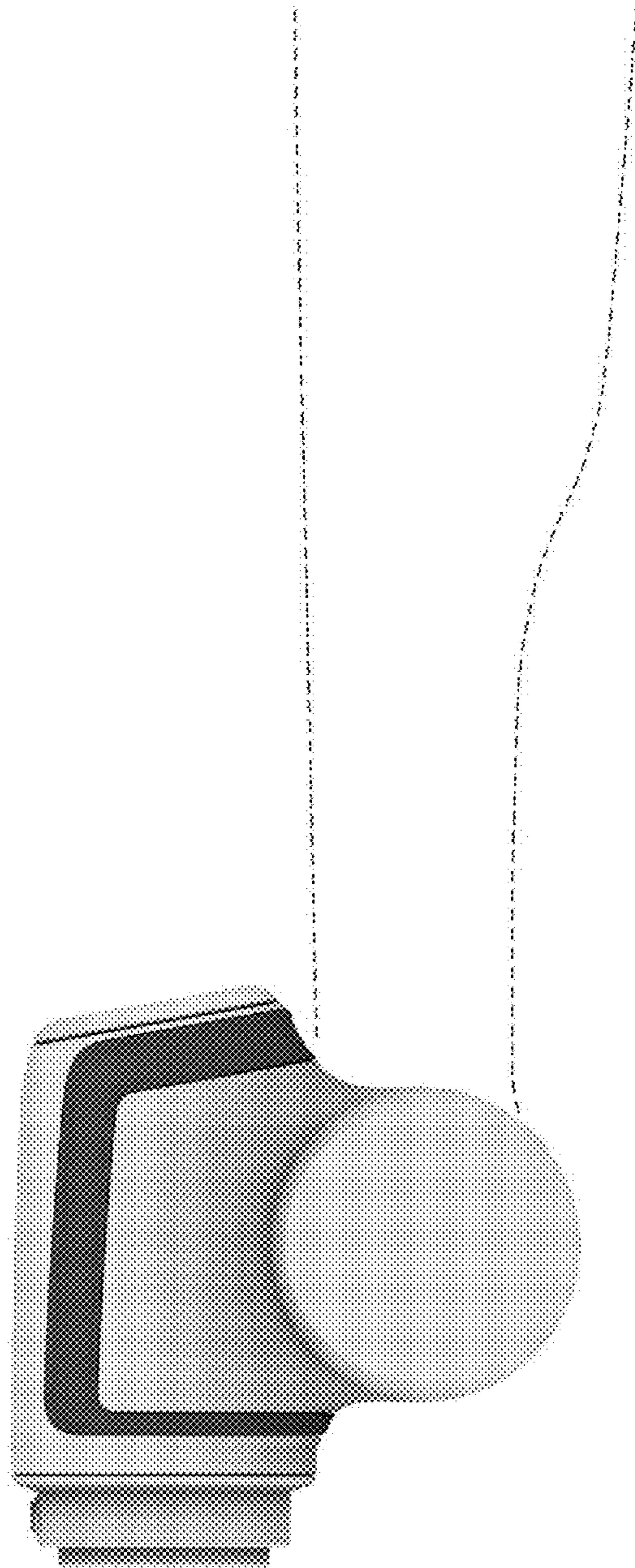


Fig. 4

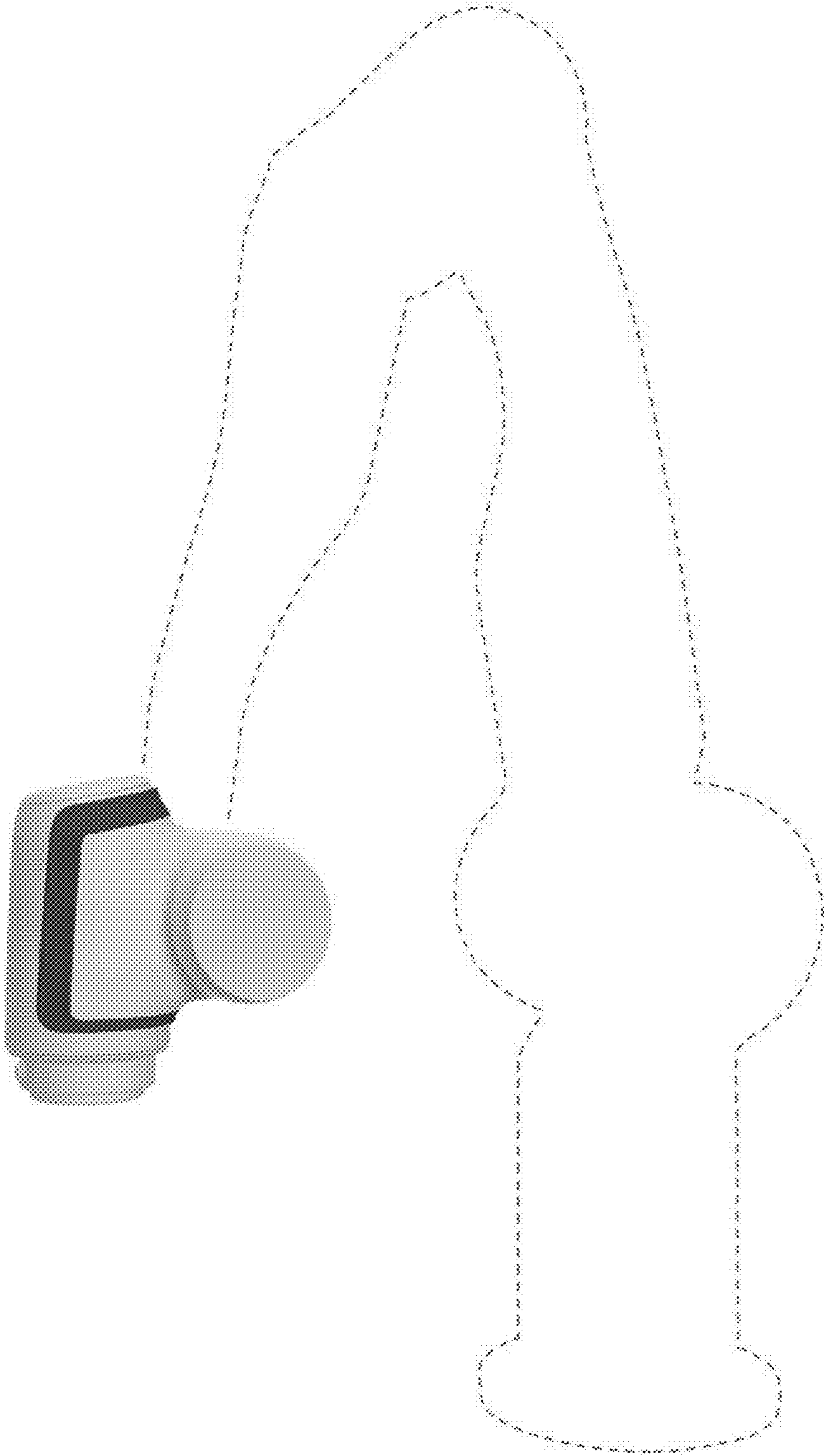


Fig. 5

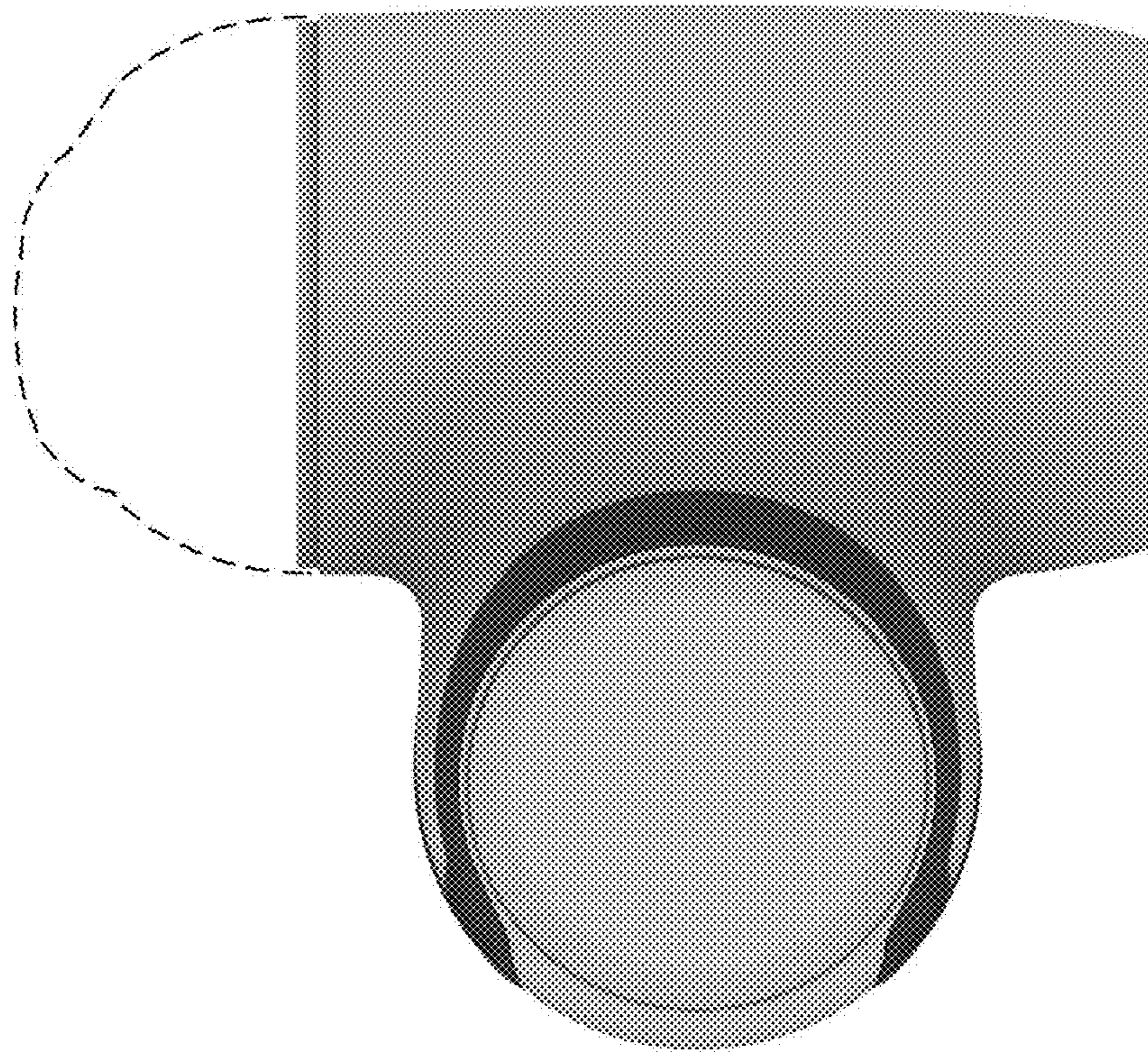


Fig. 6



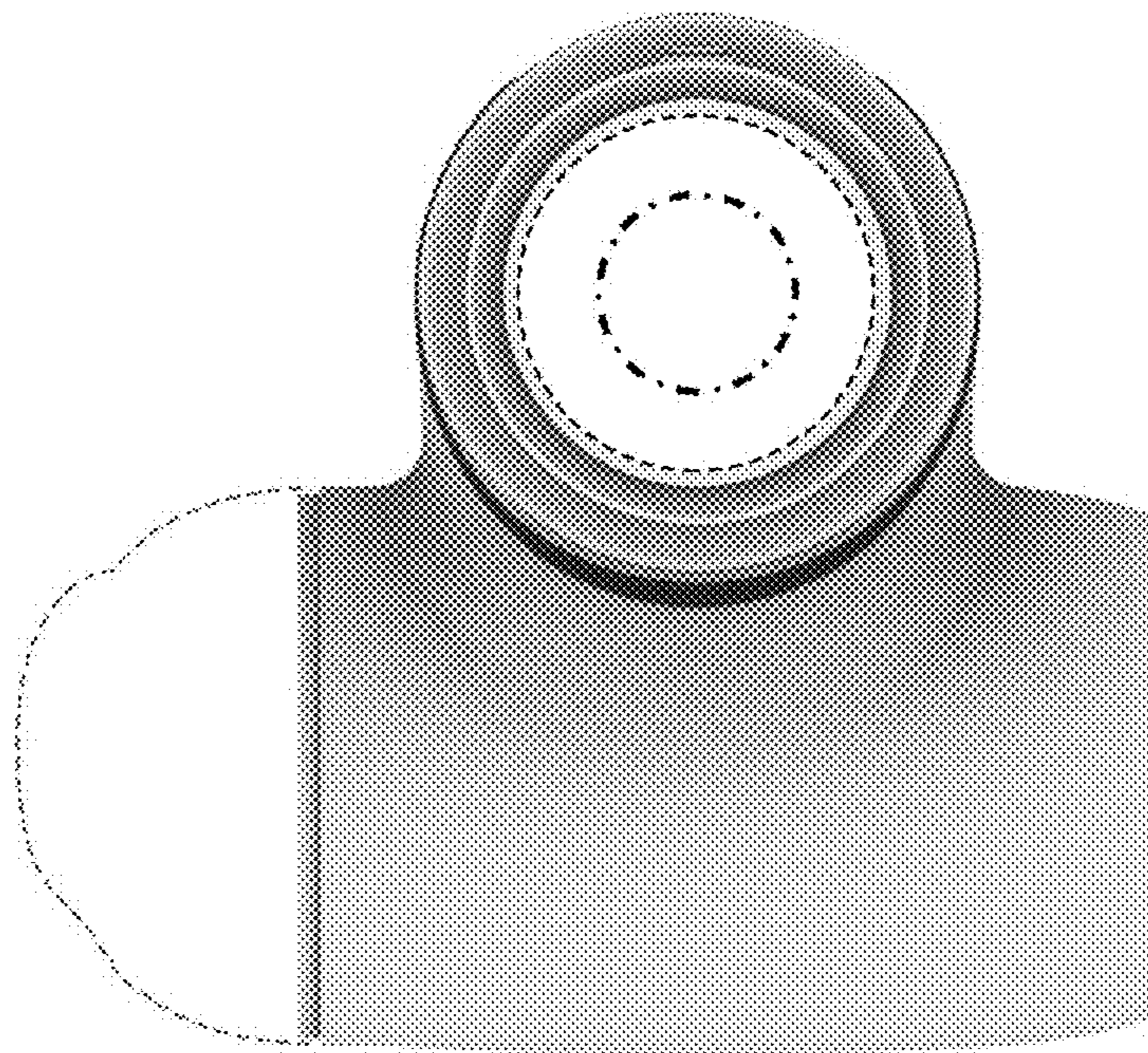


Fig. 7

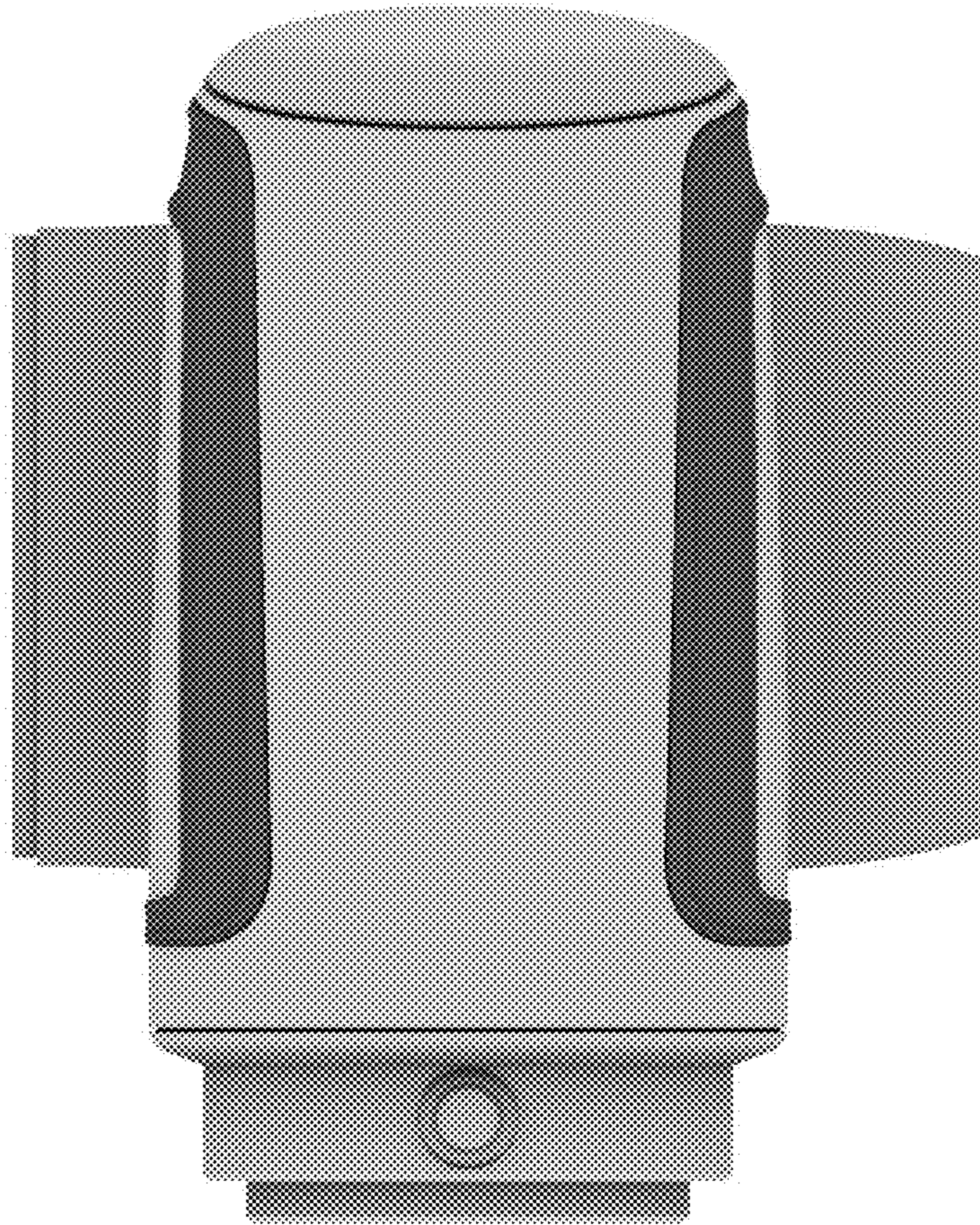


Fig. 8



Fig. 9