



US00D985753S

(12) **United States Design Patent**  
**Chenal**

(10) **Patent No.:** **US D985,753 S**

(45) **Date of Patent:** **\*\* May 9, 2023**

- (54) **EARPIECE ASSEMBLY**
- (71) Applicant: **JMJ Holdings, LLC**, Frederic, WI (US)
- (72) Inventor: **David M. Chenal**, Frederic, WI (US)
- (73) Assignee: **JMJ Holdings, LLC**, Frederic, WI (US)
- (\*\*) Term: **15 Years**
- (21) Appl. No.: **29/853,812**
- (22) Filed: **Sep. 19, 2022**

D617,891 S *	6/2010	Turdjian	.....	A61F 11/08
				D24/106
D624,999 S *	10/2010	Turdjian	.....	A61F 11/08
				D24/106
D727,301 S *	4/2015	Smith	.....	D14/223
D745,135 S *	12/2015	Butler	.....	A61F 11/08
				D24/106
D759,802 S *	6/2016	Hamer	.....	D24/106
11,179,273 B2 *	11/2021	Chenal	.....	A61F 11/08
D938,574 S *	12/2021	Guo	.....	A61F 11/08
				428/372
D952,831 S *	5/2022	Chenal	.....	D24/106
D964,547 S *	9/2022	Chenal	.....	A61F 11/08
				D24/106
2002/0066455 A1 *	6/2002	Falco	.....	A61F 11/08
				128/864
2004/0069310 A1 *	4/2004	Falco	.....	A61F 11/08
				128/864

(Continued)

**Related U.S. Application Data**

- (63) Continuation of application No. 29/769,169, filed on Feb. 3, 2021, now Pat. No. Des. 964,547.
- (51) **LOC (14) Cl.** ..... **28-01**
- (52) **U.S. Cl.**  
USPC ..... **D24/106**
- (58) **Field of Classification Search**  
USPC ..... D9/440, 447; D24/106; D14/205, 224  
CPC ..... A61F 2011/08; A61F 2011/085; A61F 13/2005; A61F 13/2042; A61B 17/12104; A61B 17/12159  
See application file for complete search history.

*Primary Examiner* — Calvin E Vansant

(74) *Attorney, Agent, or Firm* — Jonathan M. Rixen; Charles A. Lemaire; Lemaire Patent Law Firm, P.L.L.C.

(57) **CLAIM**

The ornamental design for an earpiece assembly, as shown and described.

**DESCRIPTION**

FIG. 1 is a perspective view of the earpiece assembly having a new ornamental design;  
 FIG. 2 is a bottom view thereof;  
 FIG. 3 is a top view thereof;  
 FIG. 4 is a left-side view thereof;  
 FIG. 5 is a right-side view thereof;  
 FIG. 6 is a front view thereof; and,  
 FIG. 7 is a back view thereof.

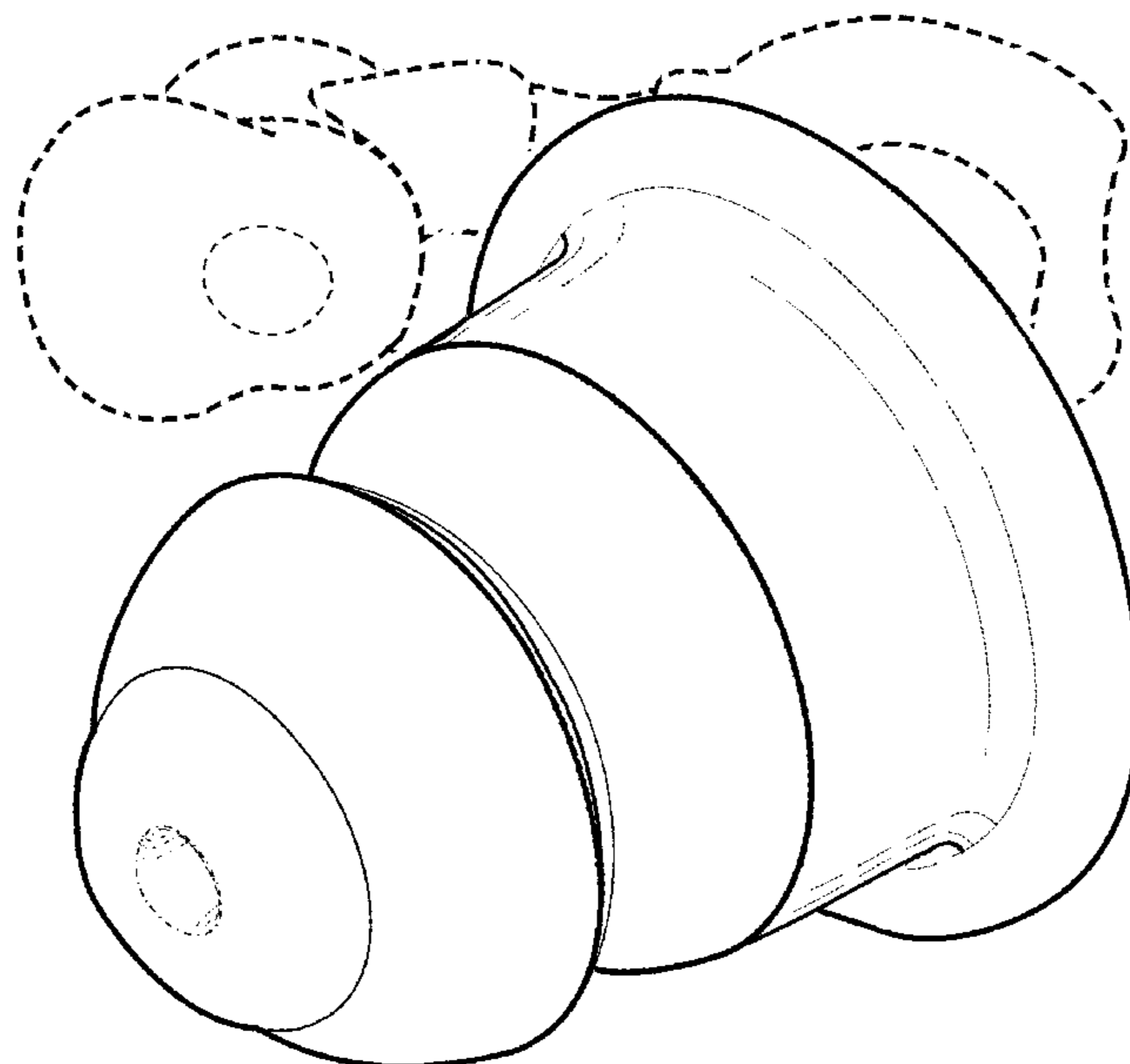
The broken lines in the drawings depict portions of the earpiece assembly that form no part of the claimed design. In the drawings, the dot-dash lines represent boundaries of the claim and form no part of the claimed design.

(56) **References Cited**

**U.S. PATENT DOCUMENTS**

D259,279 S *	5/1981	Takeda	.....	A61F 11/08
				D24/174
D521,637 S *	5/2006	Yang	.....	D24/106
D539,415 S *	3/2007	Fleming	.....	A61F 11/08
				D24/106
D595,837 S *	7/2009	Benner	.....	D24/106
D611,929 S *	3/2010	Blanchard	.....	A61M 11/007
				D14/205

**1 Claim, 4 Drawing Sheets**



(56)

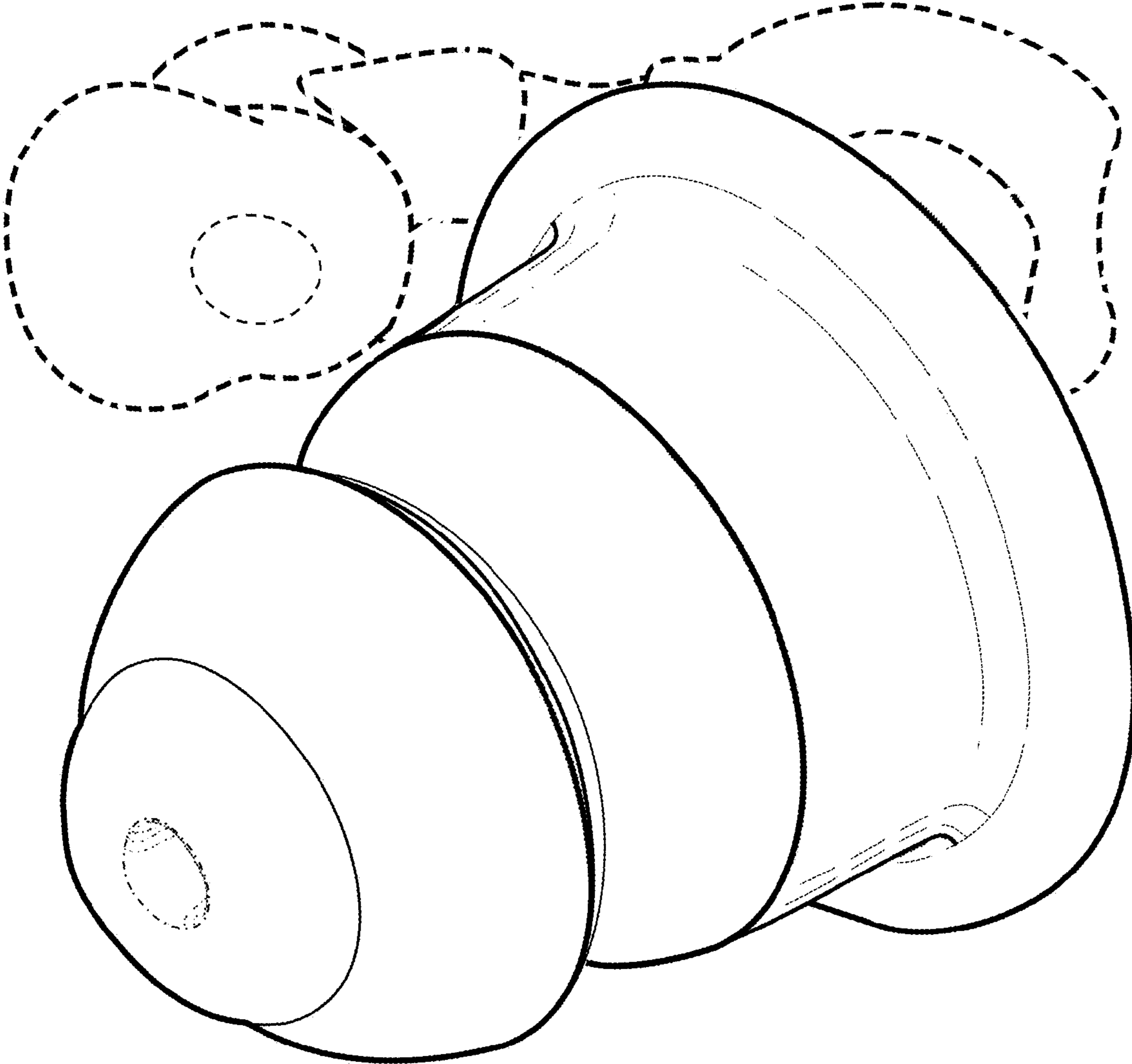
**References Cited**

U.S. PATENT DOCUMENTS

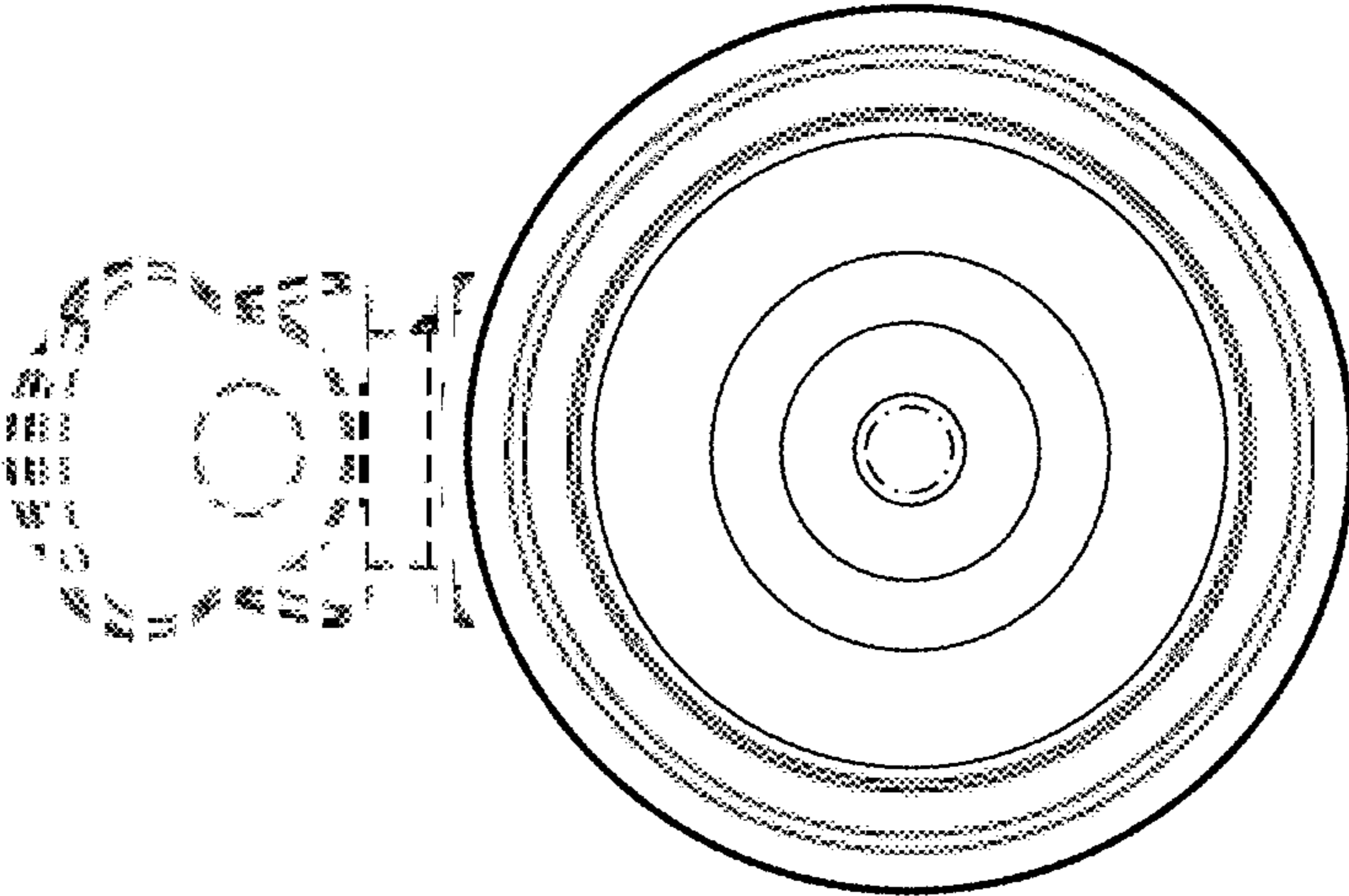
2010/0294285	A1 *	11/2010	Turdjian .....	A61F 11/08 128/867
2014/0017492	A1 *	1/2014	Hamer .....	A61F 11/08 428/372
2014/0190494	A1 *	7/2014	Ely .....	A61F 11/08 D14/223
2014/0230830	A1 *	8/2014	Hamer .....	A61F 11/08 264/46.4
2015/0047651	A1 *	2/2015	Haapapuro .....	A61F 11/12 D24/106
2016/0302974	A1 *	10/2016	Chenal .....	A61F 11/08
2021/0069481	A1 *	3/2021	Åhnblad .....	A61F 11/08

\* cited by examiner

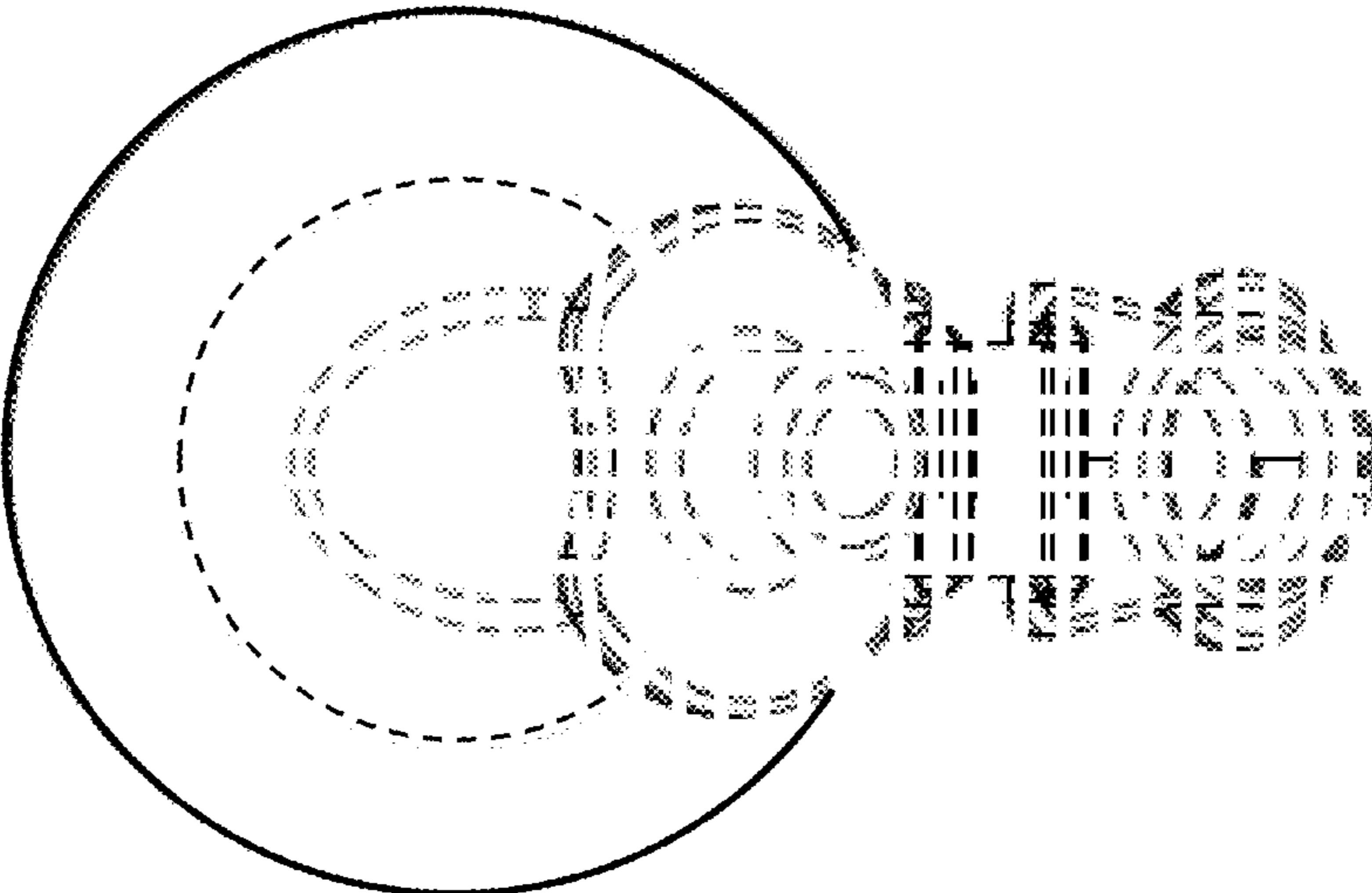
*FIG. 1*



**FIG. 2**

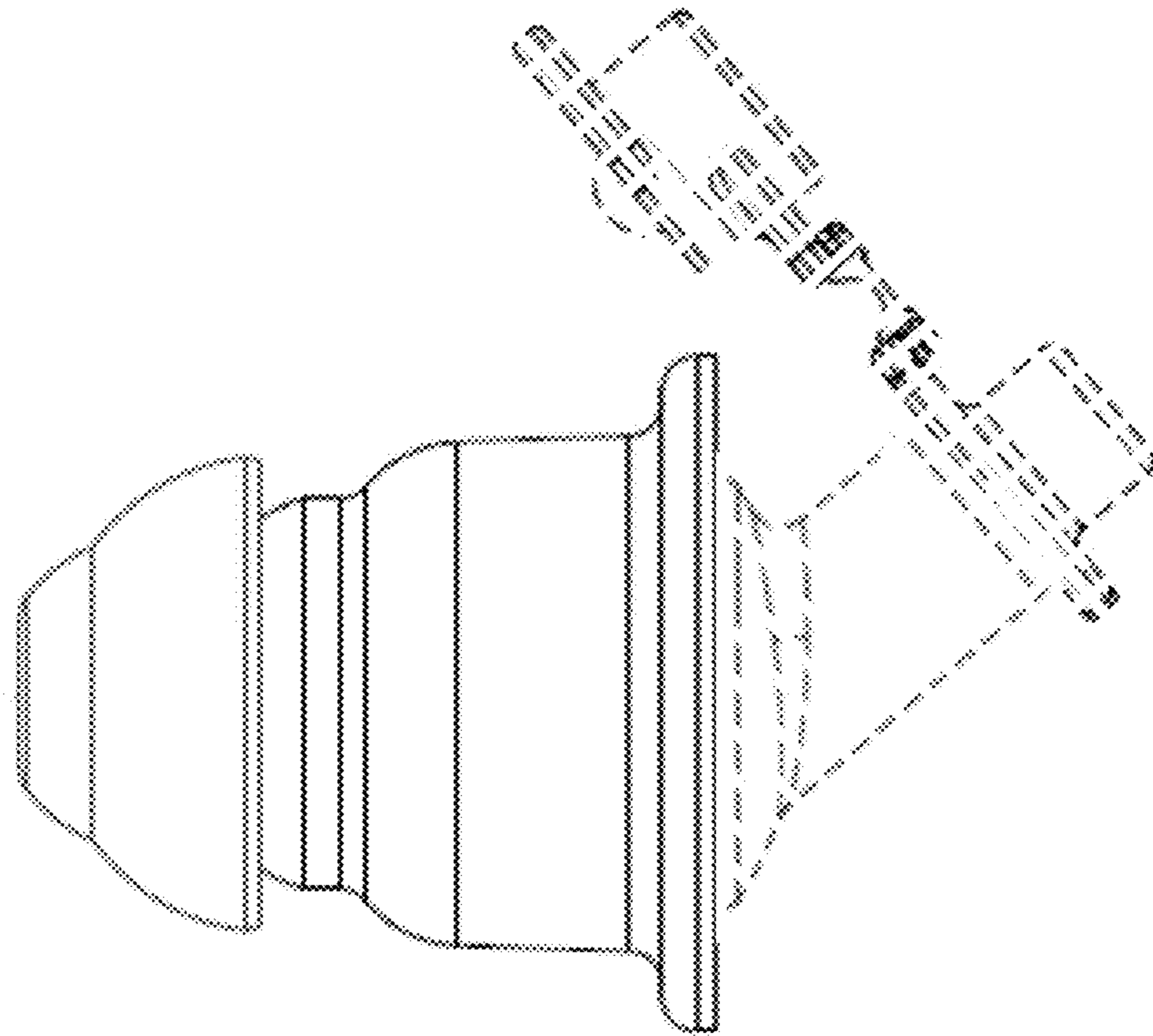


**FIG. 3**

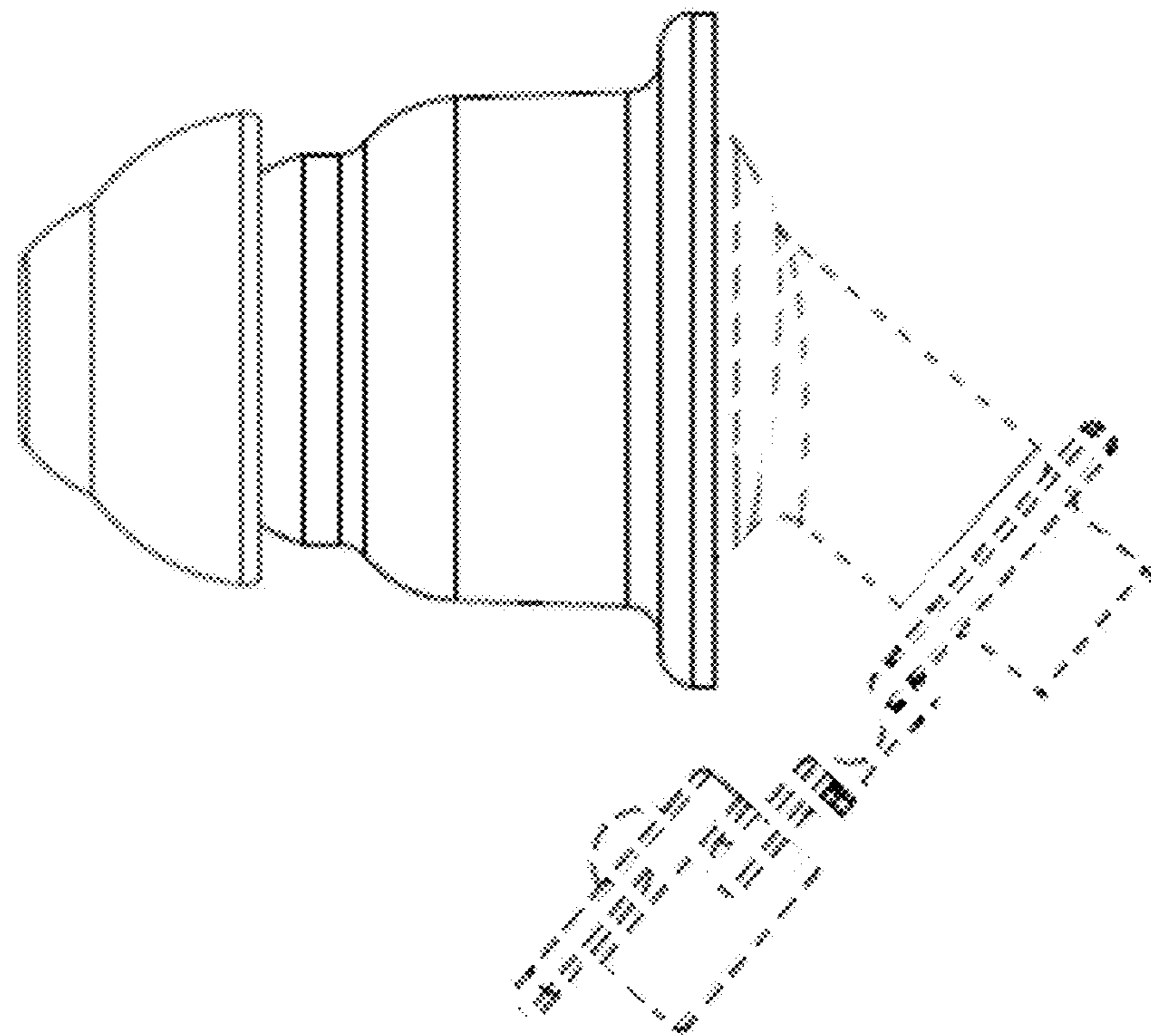




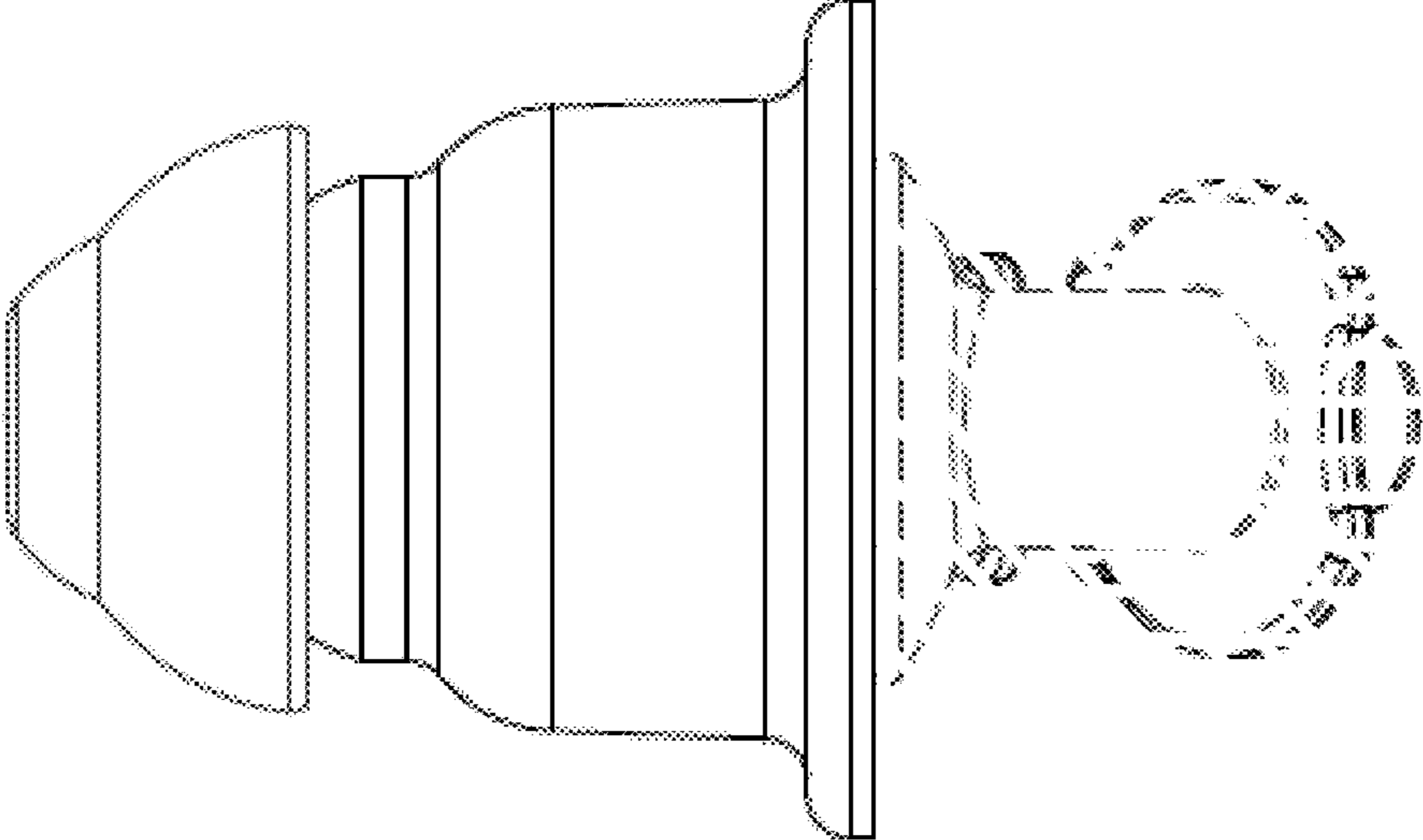
**FIG. 4**



**FIG. 5**



**FIG. 6**



**FIG. 7**

